



US00D645247S

(12) **United States Design Patent**
Hoffman

(10) **Patent No.:** **US D645,247 S**

(45) **Date of Patent:** **** Sep. 20, 2011**

(54) **ROUND UTILITY BOX**

(74) *Attorney, Agent, or Firm* — Patrick B. Law

(76) **Inventor:** **Eric Hoffman**, Rolling Meadows, IL
(US)

(57) **CLAIM**

I claim the ornamental design for a round utility box, as shown and described.

(**) **Term:** **14 Years**

(21) **Appl. No.:** **29/345,512**

DESCRIPTION

(22) **Filed:** **Oct. 16, 2009**

(51) **LOC (9) Cl.** **03-01**

(52) **U.S. Cl.** **D3/260**

(58) **Field of Classification Search** D3/203,
D3/273, 294

See application file for complete search history.

FIG. 1 is a front perspective view of an embodiment of a round utility box of the claimed design.

FIG. 2 is a front view of the round utility box of the embodiment of FIG. 1.

FIG. 3 is a rear view of the round utility box of the embodiment of FIG. 1.

FIG. 4 is a first side view of the round utility box of the embodiment of FIG. 1.

FIG. 5 is a second side view of the round utility box of the embodiment of FIG. 1.

FIG. 6 is a top view of the round utility box of the embodiment of FIG. 1; and,

FIG. 7 is a bottom view of the round utility box of the embodiment of FIG. 1.

(56) **References Cited**

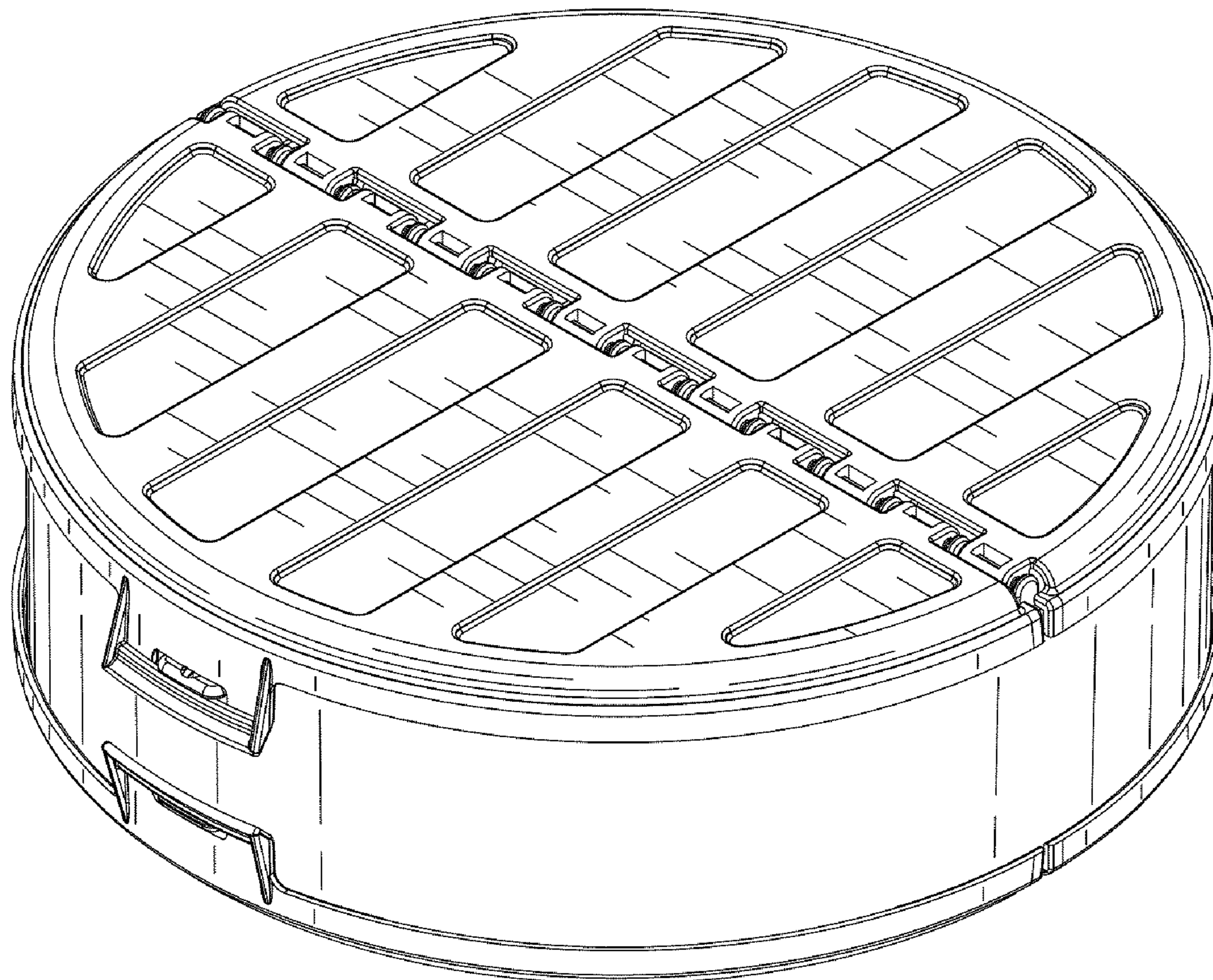
U.S. PATENT DOCUMENTS

D325,281 S	4/1992	Jordan	
5,659,995 A	8/1997	Hoffman	
D502,317 S *	3/2005	Zuther D3/302

* cited by examiner

Primary Examiner — Holly Baynham

1 Claim, 5 Drawing Sheets



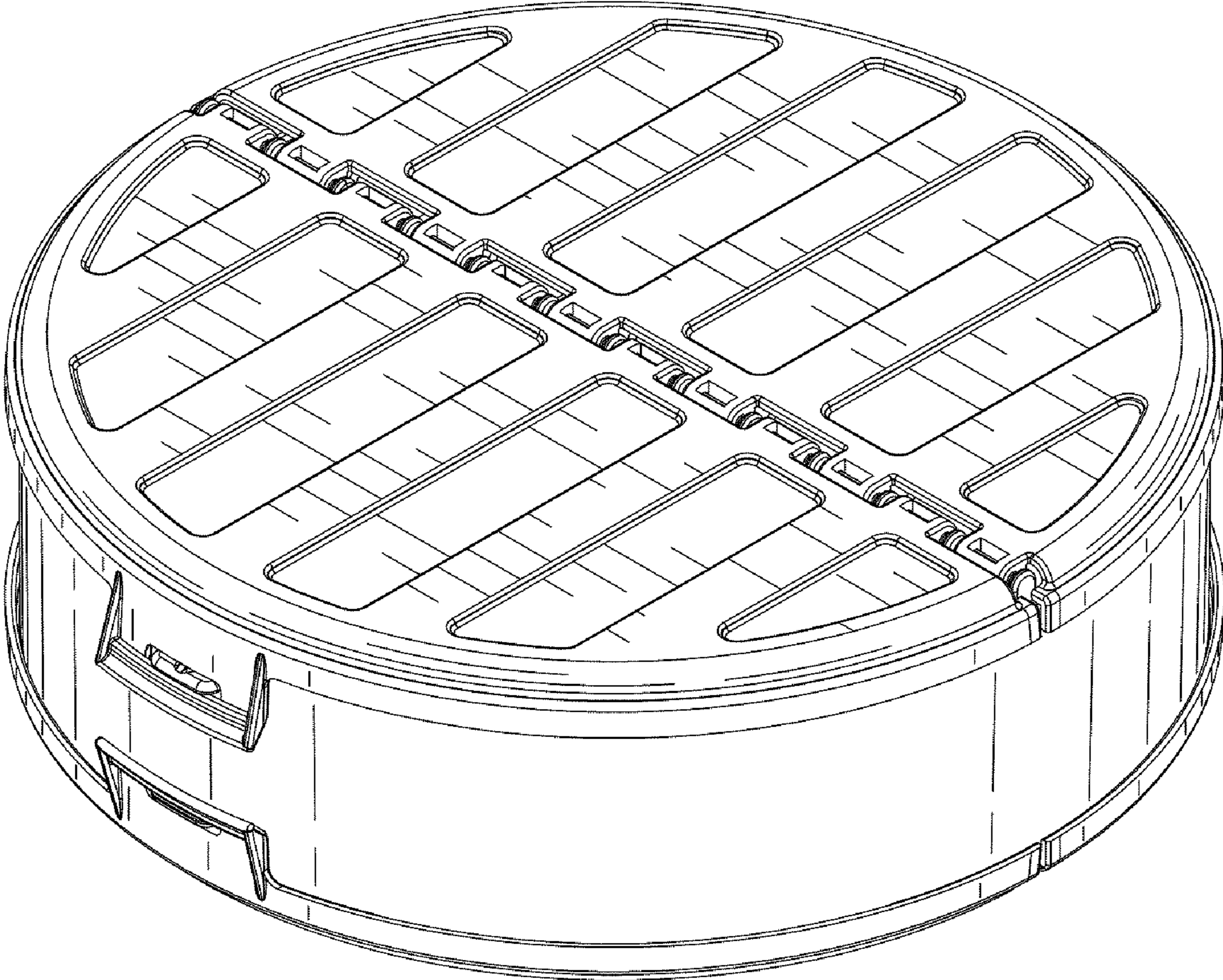


FIG. 1

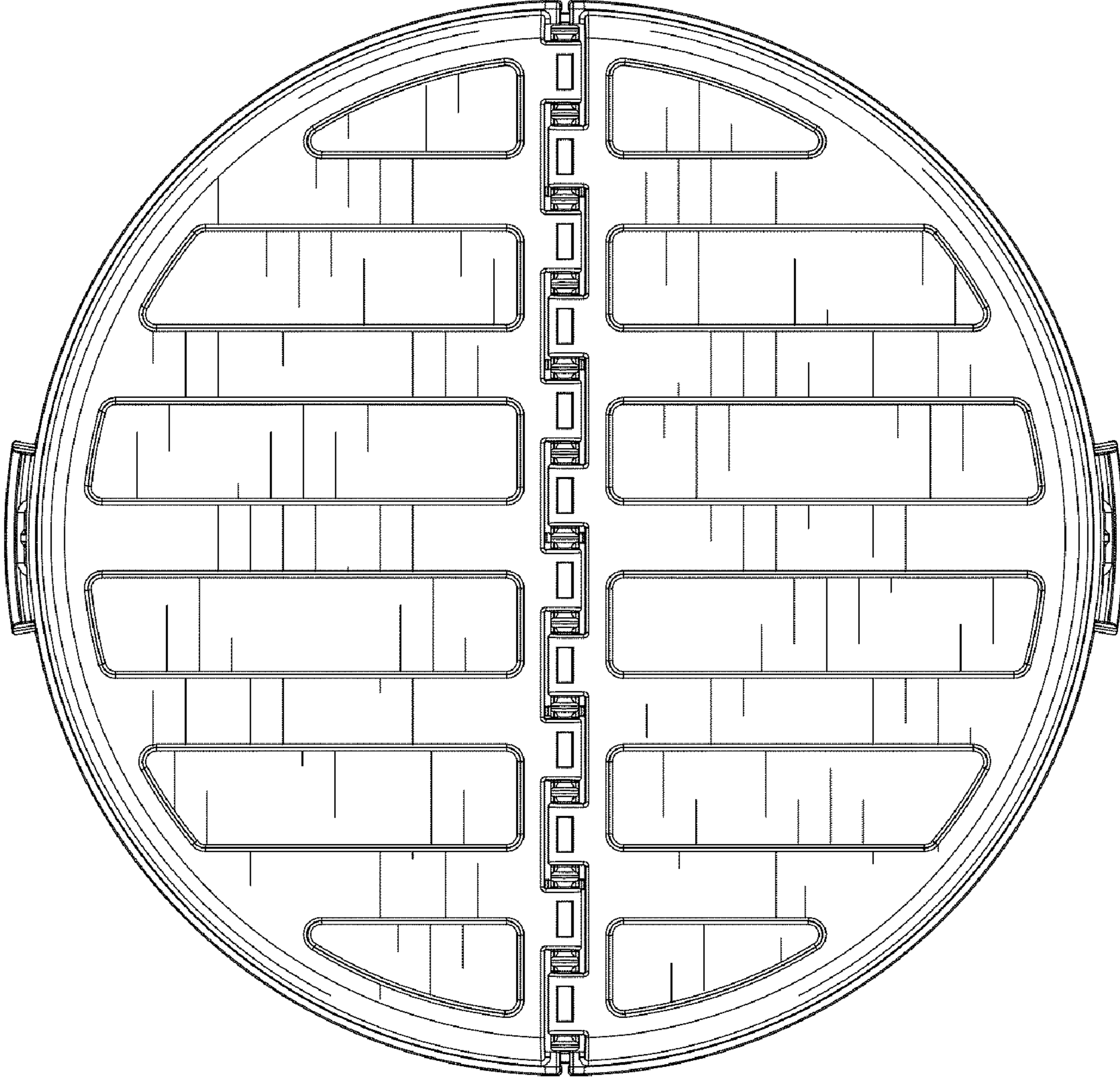


FIG. 2

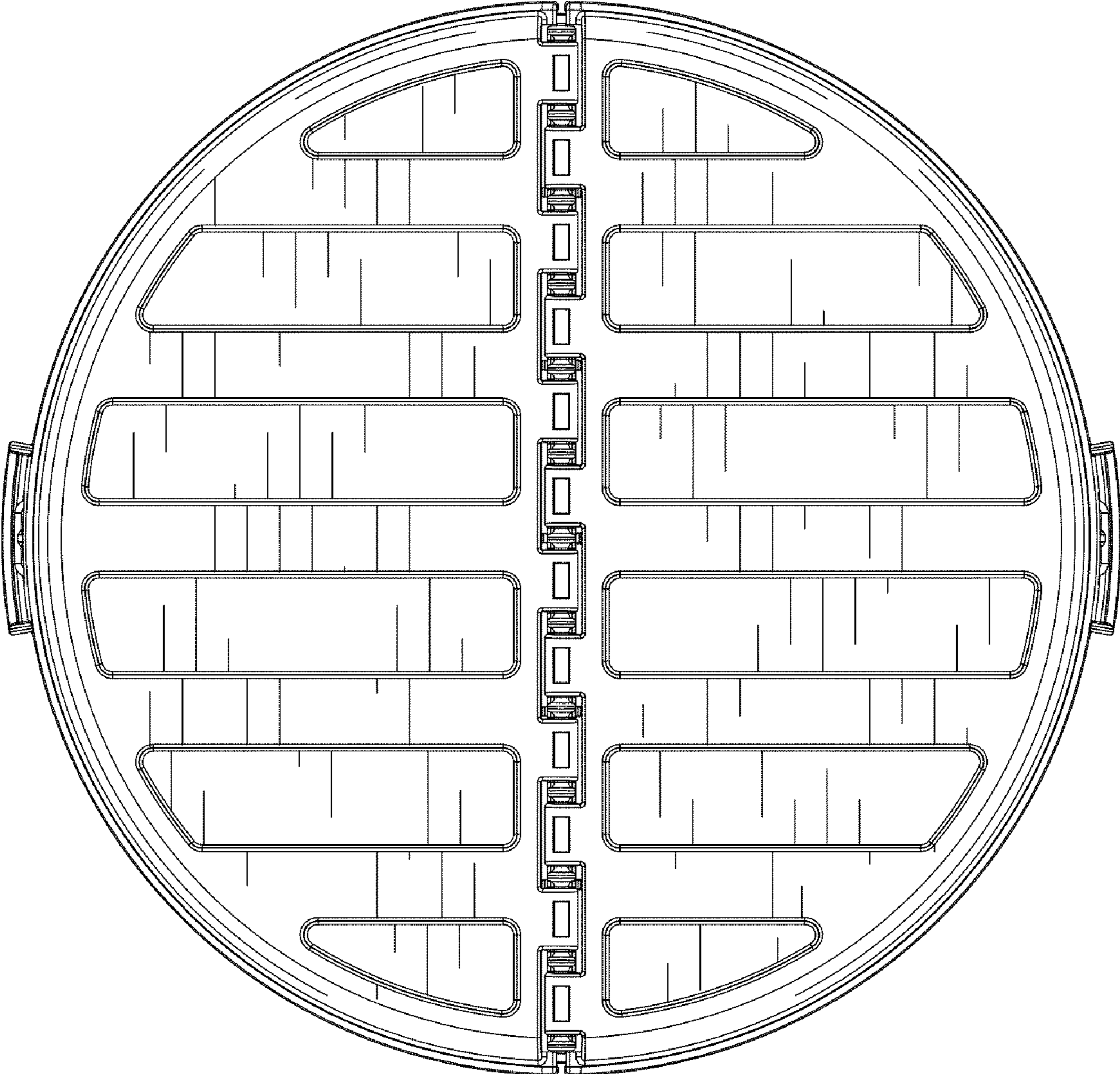


FIG. 3

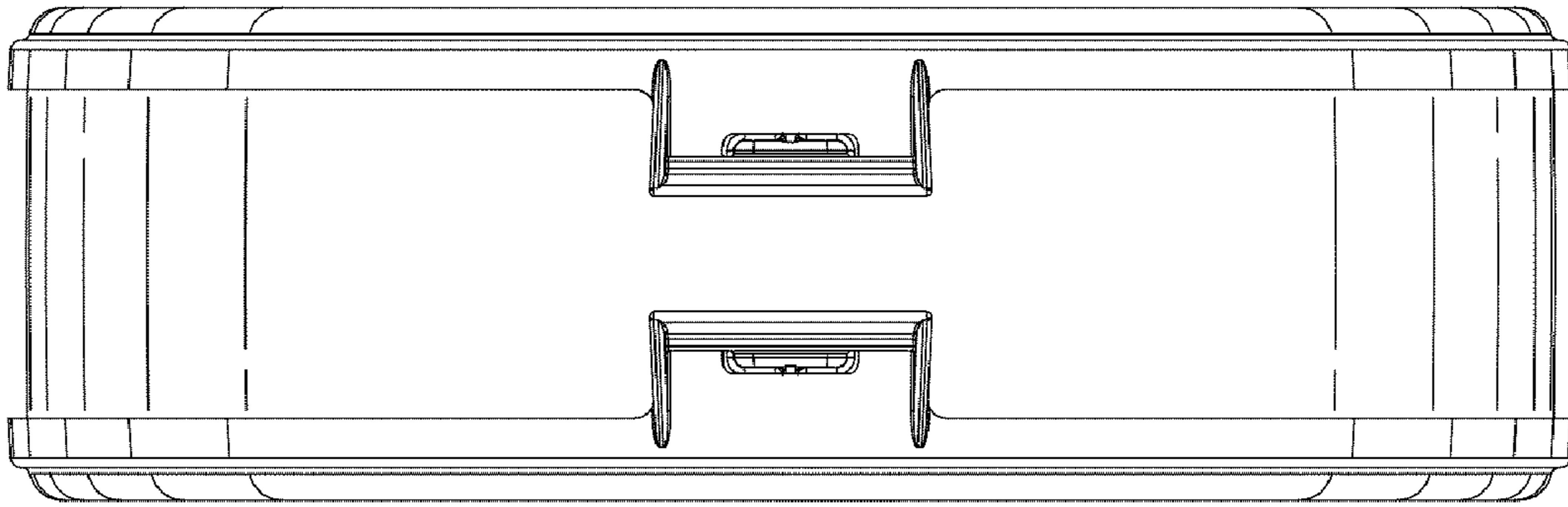


FIG. 4

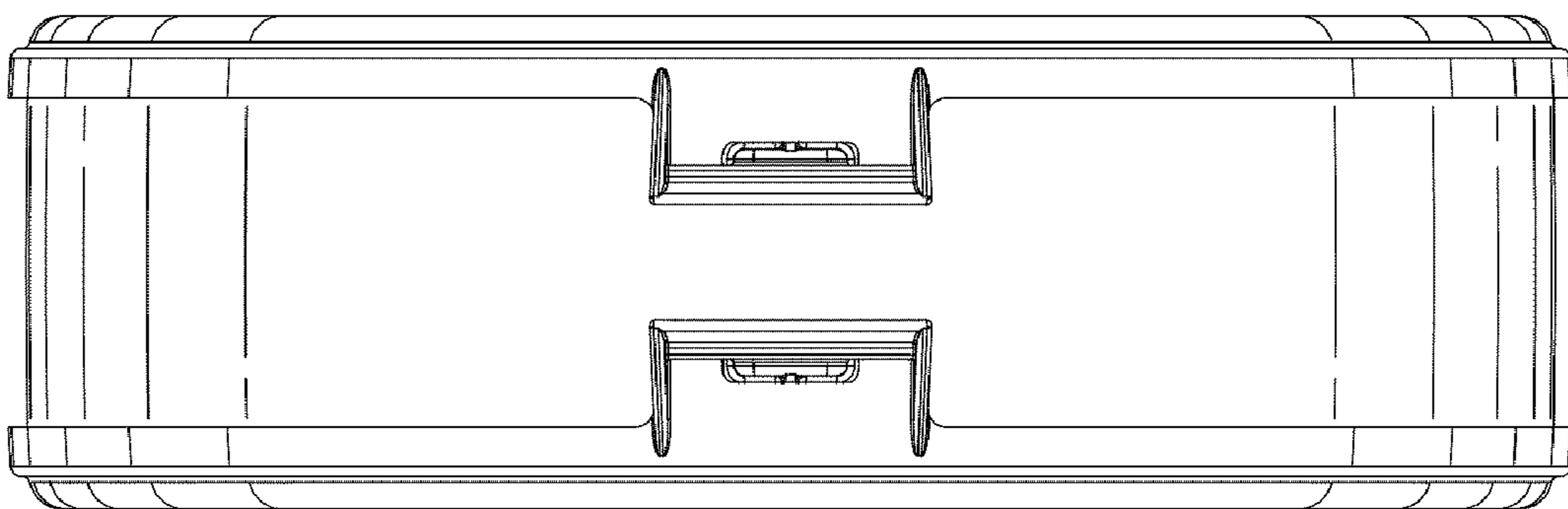


FIG. 5

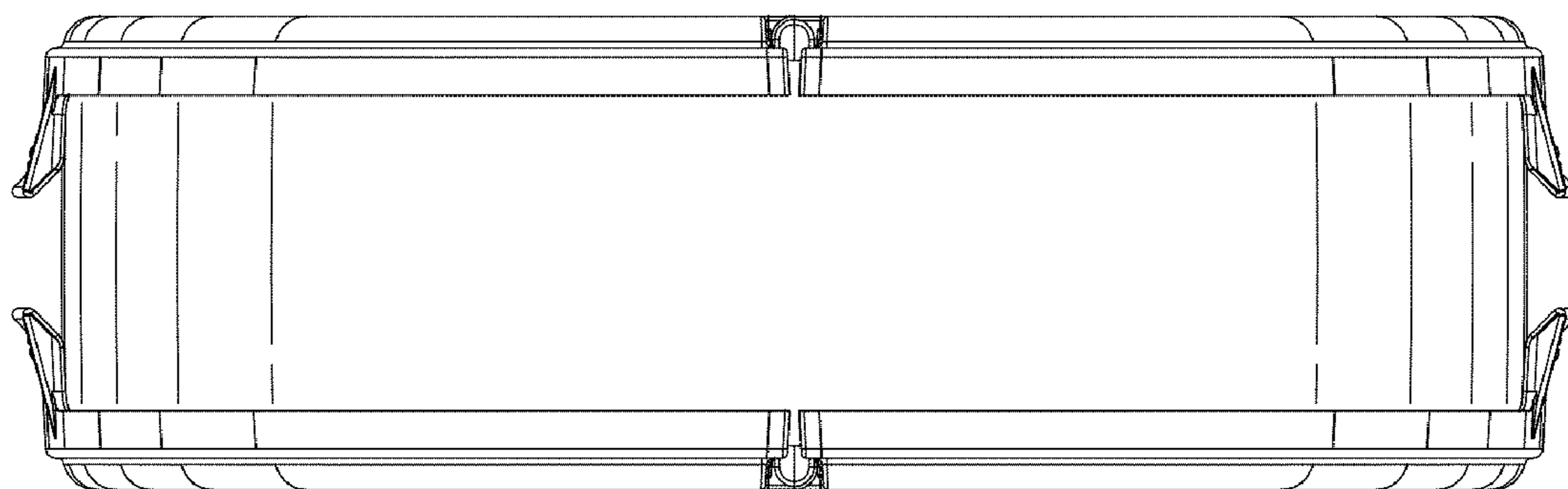


FIG. 6

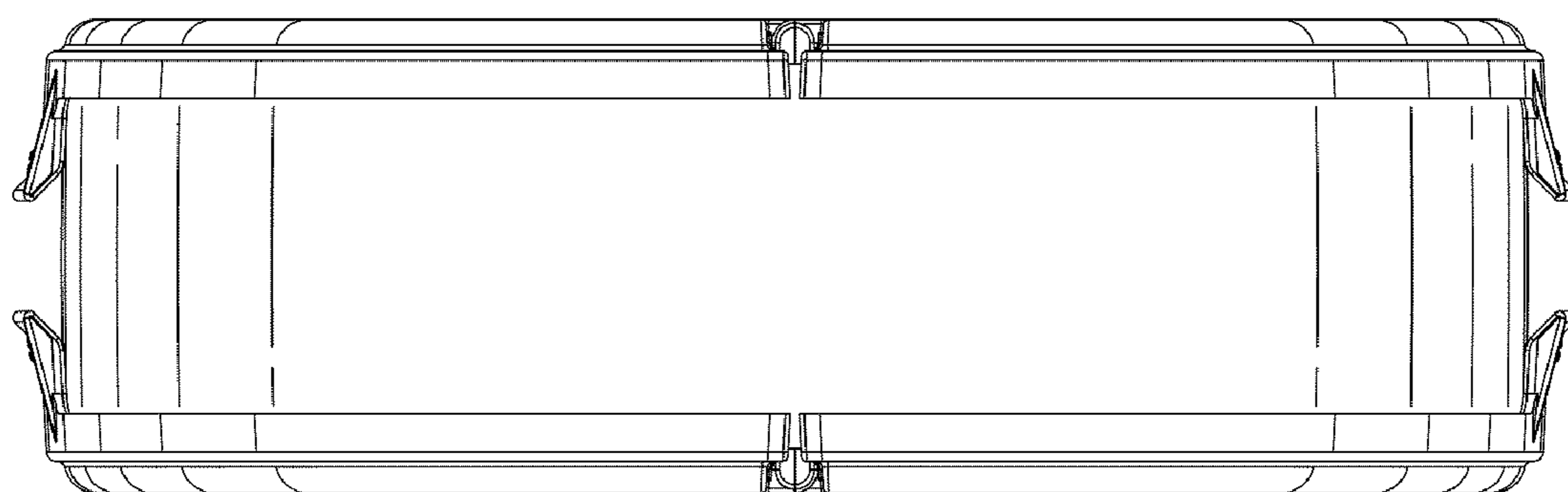


FIG. 7