



US00D645246S

(12) **United States Design Patent**  
**Miller et al.**

(10) **Patent No.:** **US D645,246 S**  
(45) **Date of Patent:** **\*\* Sep. 20, 2011**

(54) **TISSUE CONTAINER AND SNEEZE GUARD**

(75) Inventors: **Robert D. Miller**, Leadville, CO (US);  
**Kelly L. Miller**, Leadville, CO (US);  
**Shelly L. Miller**, Leadville, CO (US)

(73) Assignee: **RMSBS, Inc.**, Leadville, CO (US)

(\*\*) Term: **14 Years**

(21) Appl. No.: **29/362,347**

(22) Filed: **May 24, 2010**

(51) **LOC (9) Cl.** ..... **03-01**

(52) **U.S. Cl.** ..... **D3/247**

(58) **Field of Classification Search** ..... D6/512,  
D6/518-519; D3/201, 205, 247, 249, 250,  
D3/226, 303, 315; D29/108; 150/130-132;  
206/449-450, 479, 805

See application file for complete search history.

(56) **References Cited**

**U.S. PATENT DOCUMENTS**

1,326,602	A *	12/1919	McKey	.....	150/132
1,714,688	A *	5/1929	Mikkelsen	.....	206/449
D175,071	S *	7/1955	Griffith	.....	D3/250
D264,022	S *	4/1982	Wayman	.....	D3/247
5,127,545	A	7/1992	French		
D331,483	S *	12/1992	Travis et al.	.....	D3/250
D335,028	S *	4/1993	Berlin	.....	D3/250
D411,766	S *	7/1999	Elkington	.....	D3/250
D471,008	S *	3/2003	Dubone	.....	D3/247
D492,483	S *	7/2004	Gildea	.....	D3/249

D600,011	S *	9/2009	Munroe	.....	D3/247
7,690,050	B2	4/2010	Stockhamer		
D625,921	S *	10/2010	Trim	.....	D3/247

**OTHER PUBLICATIONS**

911 Health and Safety Products (911 Seminars), Honolulu, Hawaii, US, www.911seminars.com, (original publication date unknown).  
Julie Morrison, Cover your sneeze, please: Woman's Invention catches, kills cold germ, Flint Journal, Jan. 24, 2009, Fenton Township, MI, US .

ABC12, Video screen captures about the Cough Cover; see <http://abclocal.go.com/wjrt/video?id=6982009>; (original publication date unknown).

\* cited by examiner

*Primary Examiner* — Brian N Vinson

(74) *Attorney, Agent, or Firm* — A Law Firm, P.C.

(57) **CLAIM**

The ornamental design for a tissue container and sneeze guard, as shown and described.

**DESCRIPTION**

FIG. 1 is a top plan view of a tissue container and sneeze guard in an open mode.

FIGS. 2-3 are end views of FIG. 1.

FIG. 4 is an elevation view of FIG. 1.

FIG. 5 is an inverted view of FIG. 4.

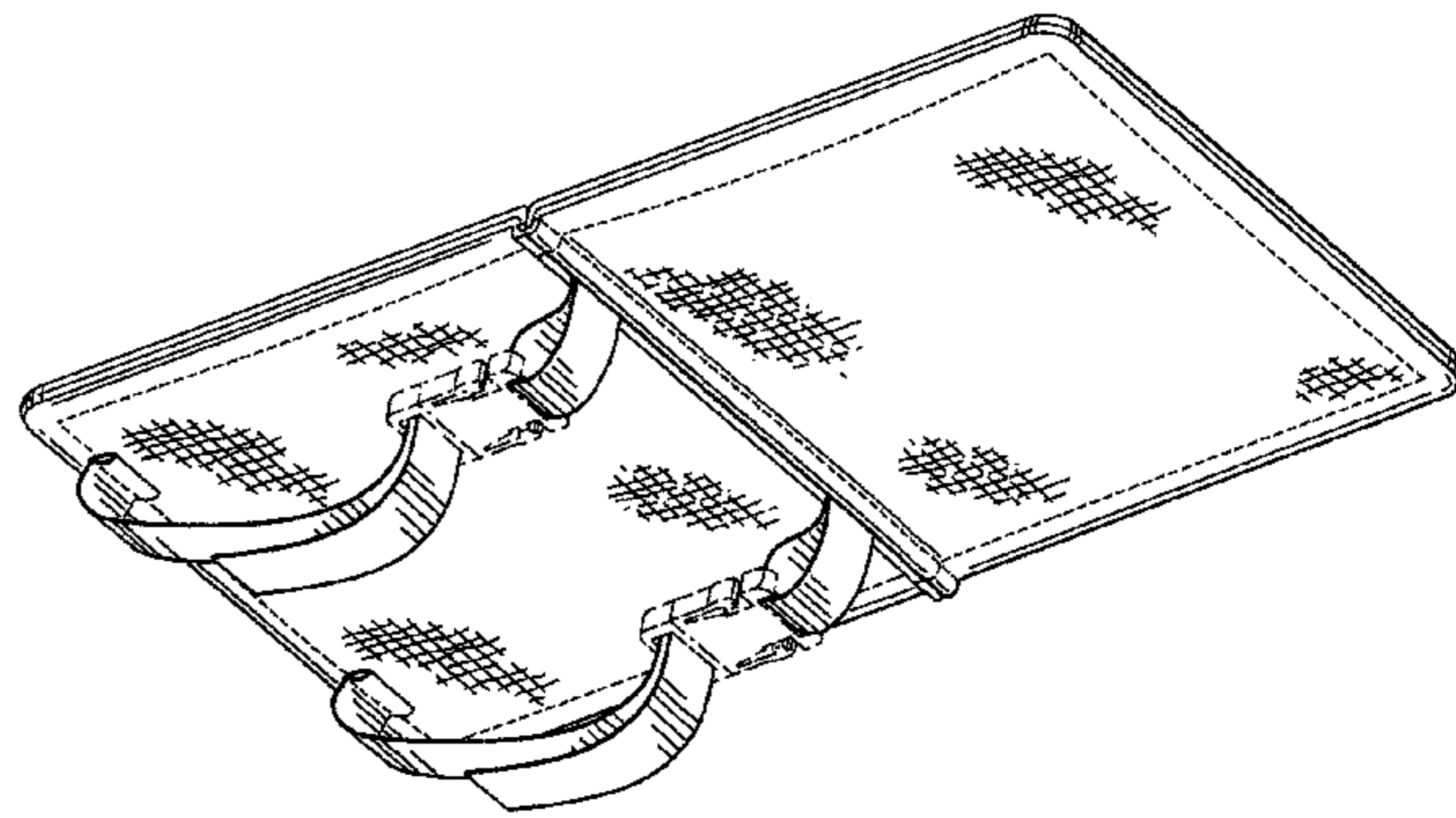
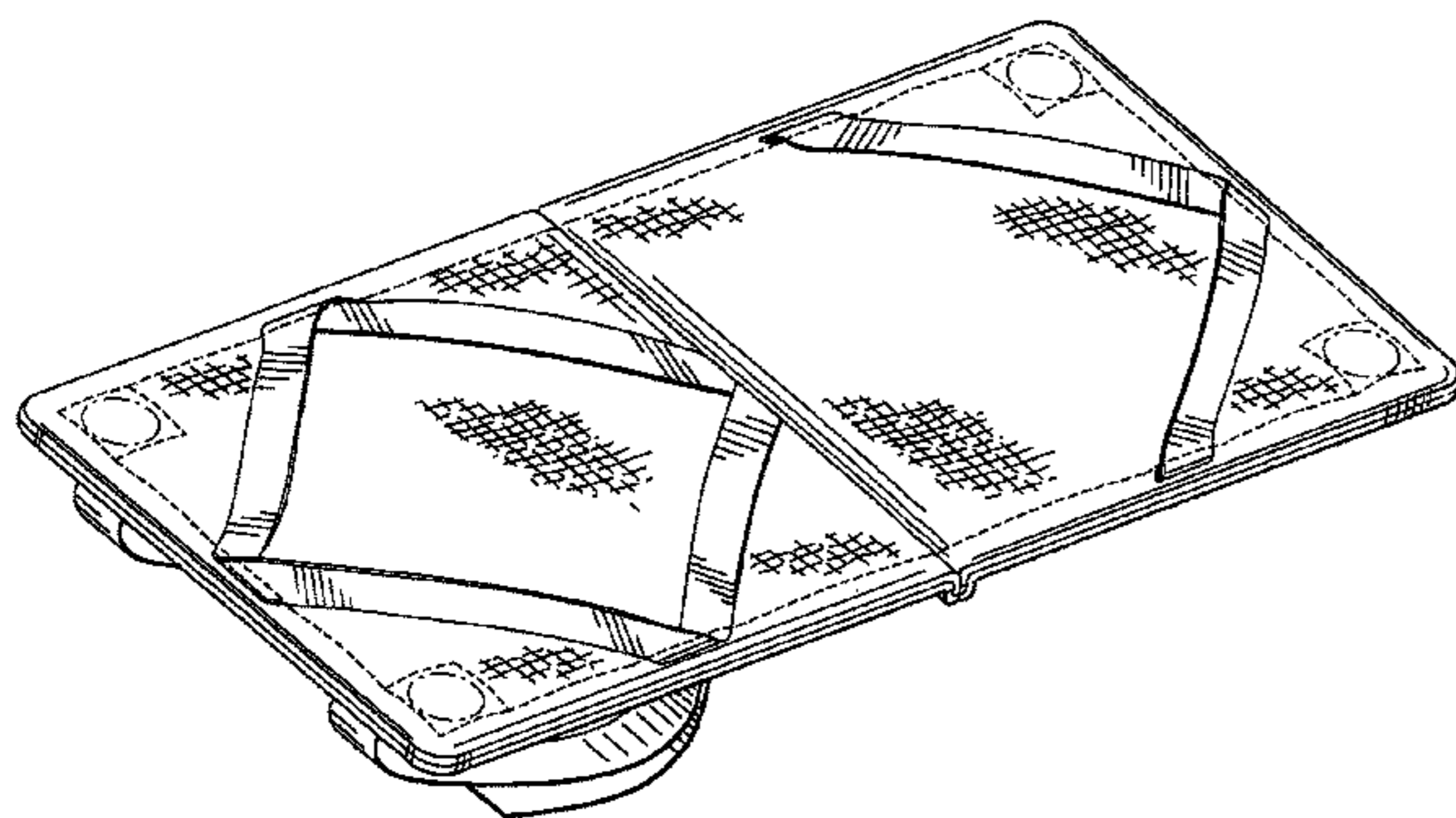
FIG. 6 is a bottom plan view of FIG. 1.

FIG. 7 is a top perspective view of FIG. 1; and,

FIG. 8 is a bottom perspective view of FIG. 1.

The broken lines shown in the drawings illustrate environment and form no part of the claimed design.

**1 Claim, 2 Drawing Sheets**



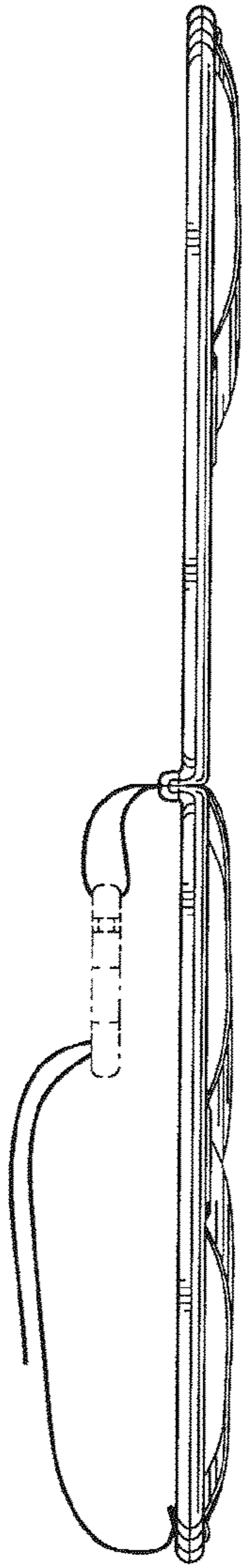


FIG. 4

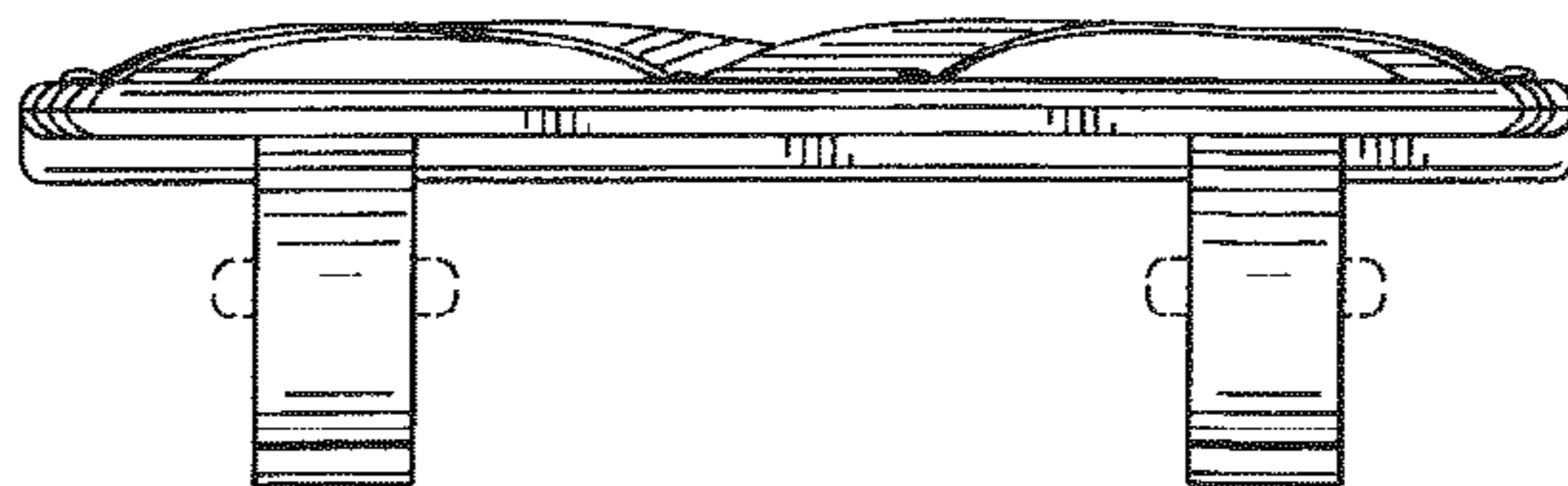


FIG. 2

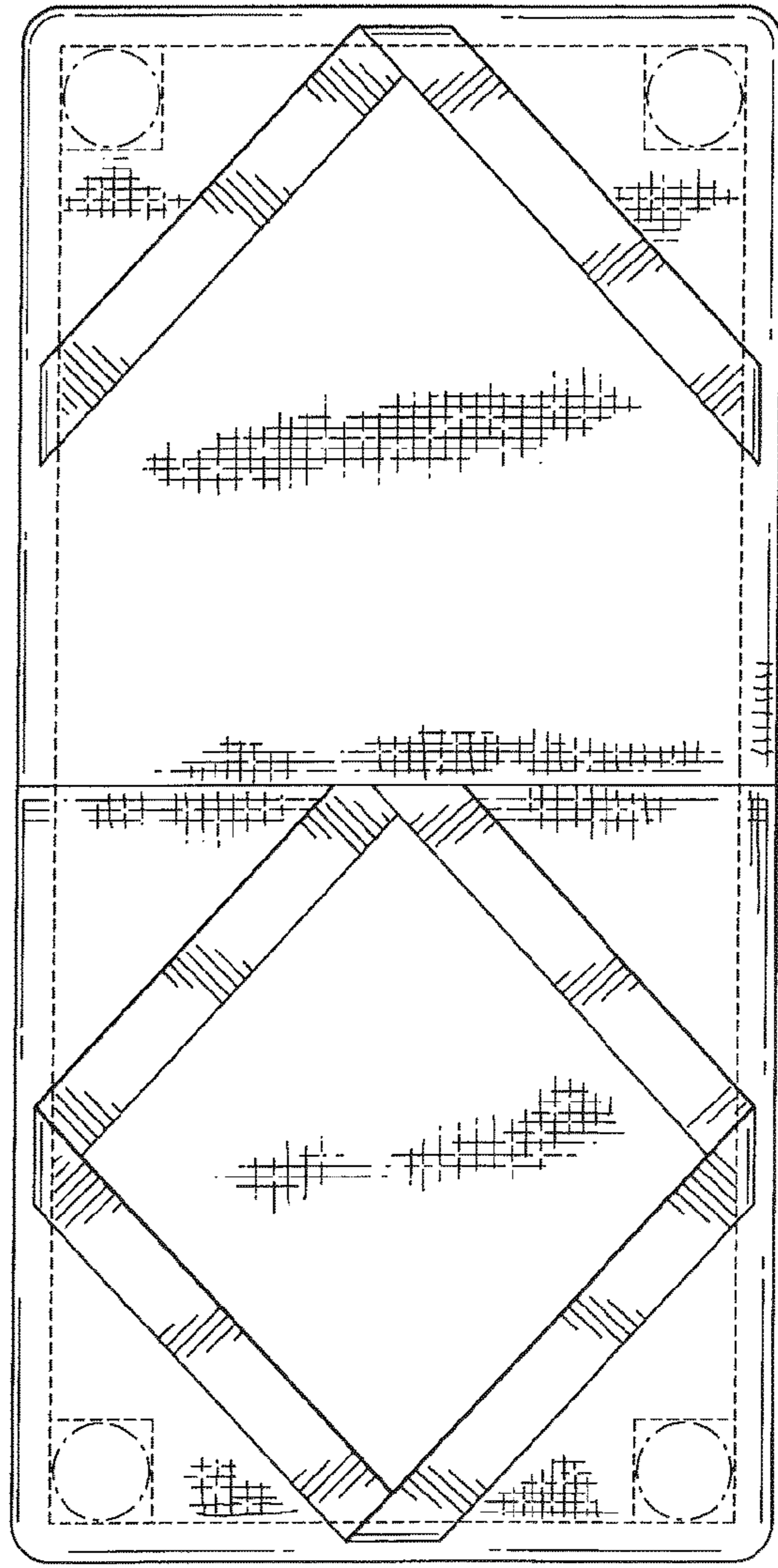


FIG. 1

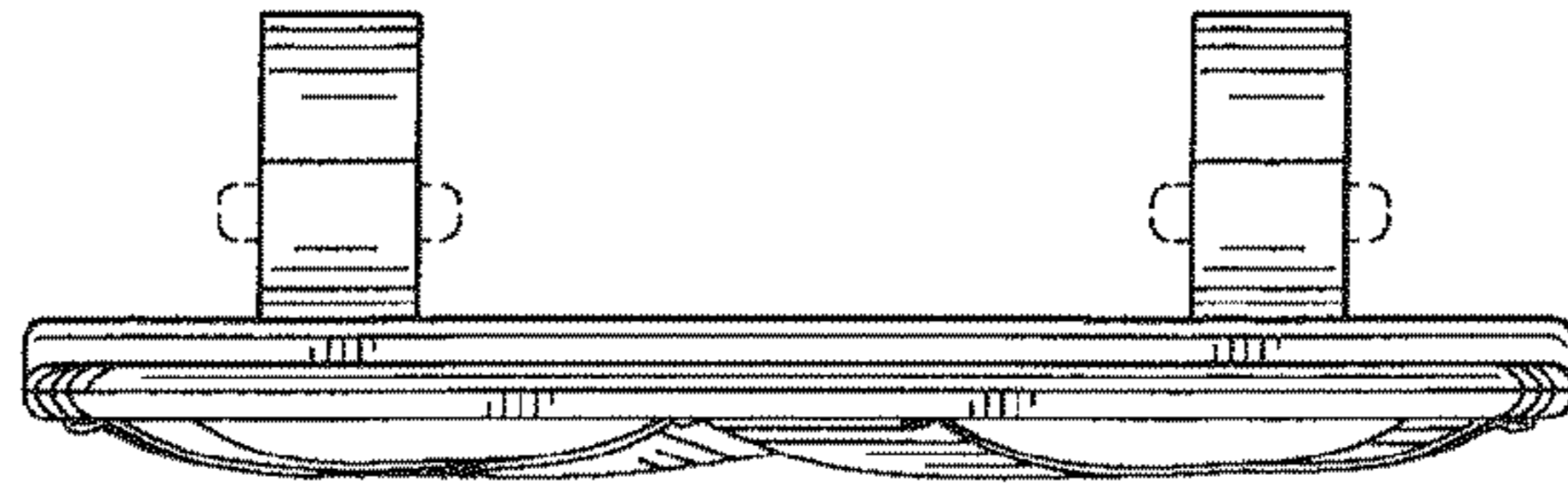


FIG. 3

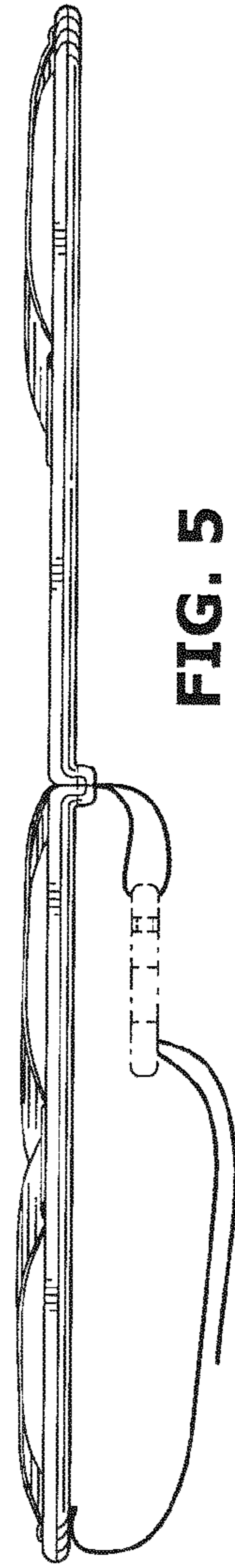


FIG. 5



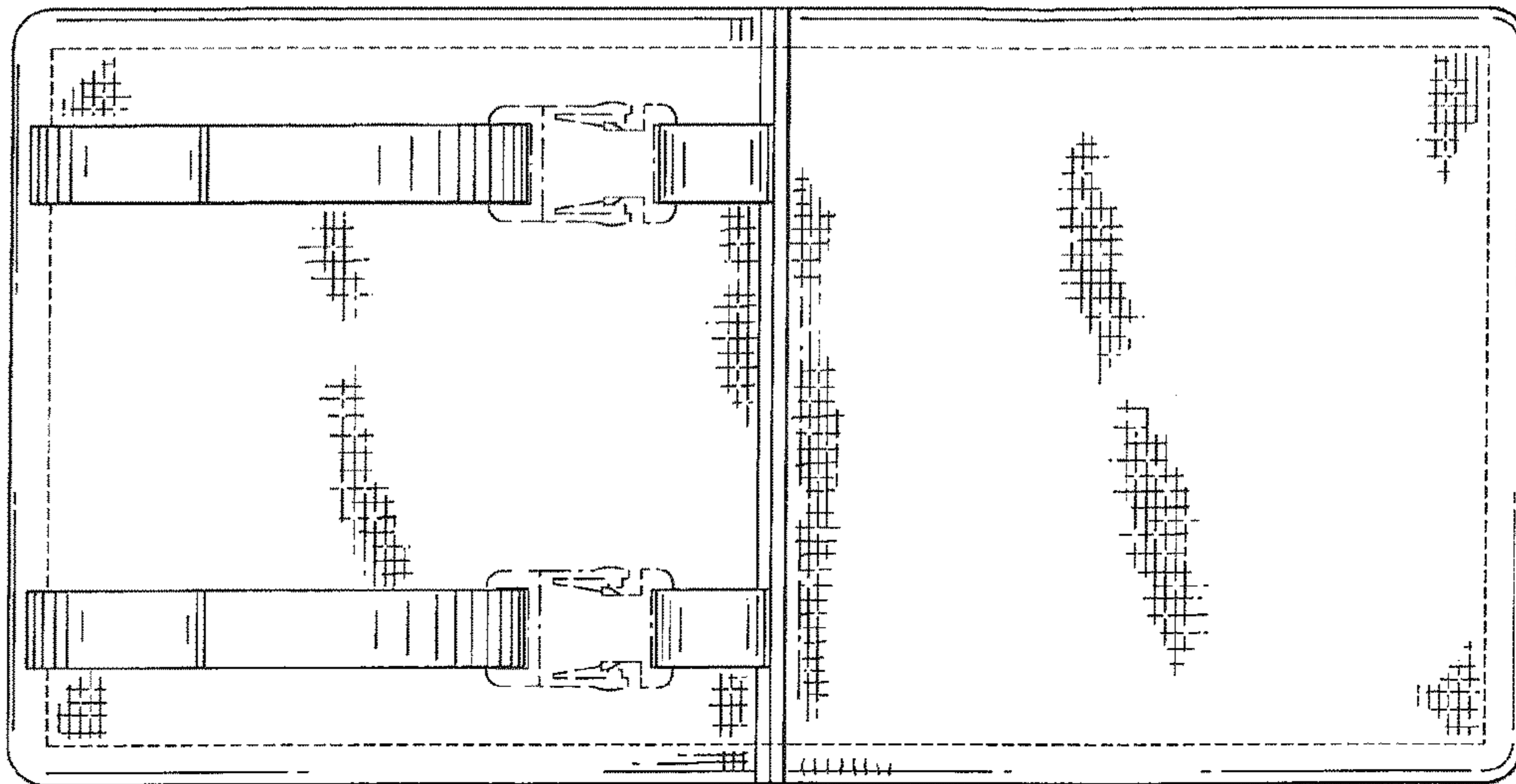


FIG. 6

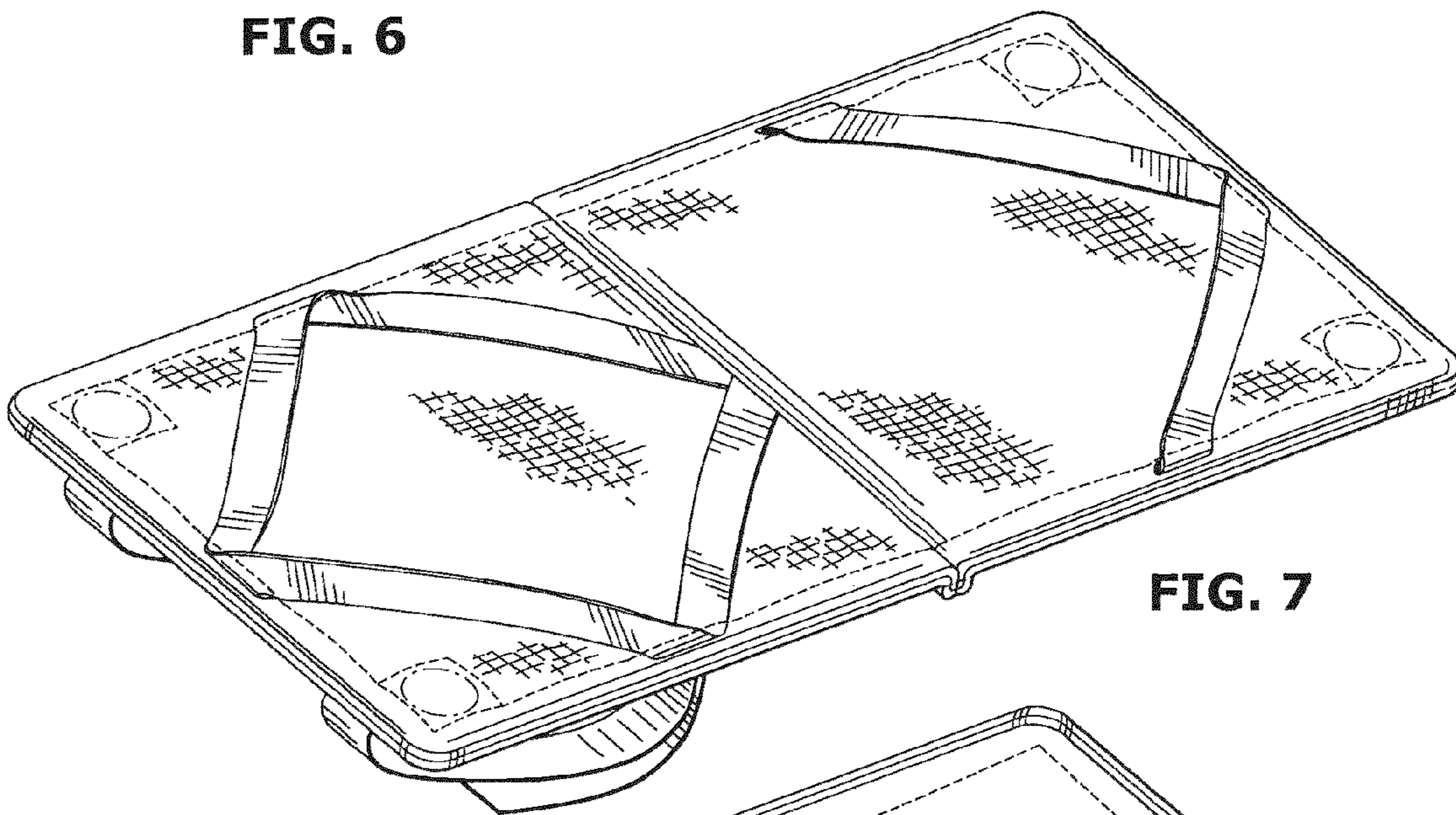


FIG. 7

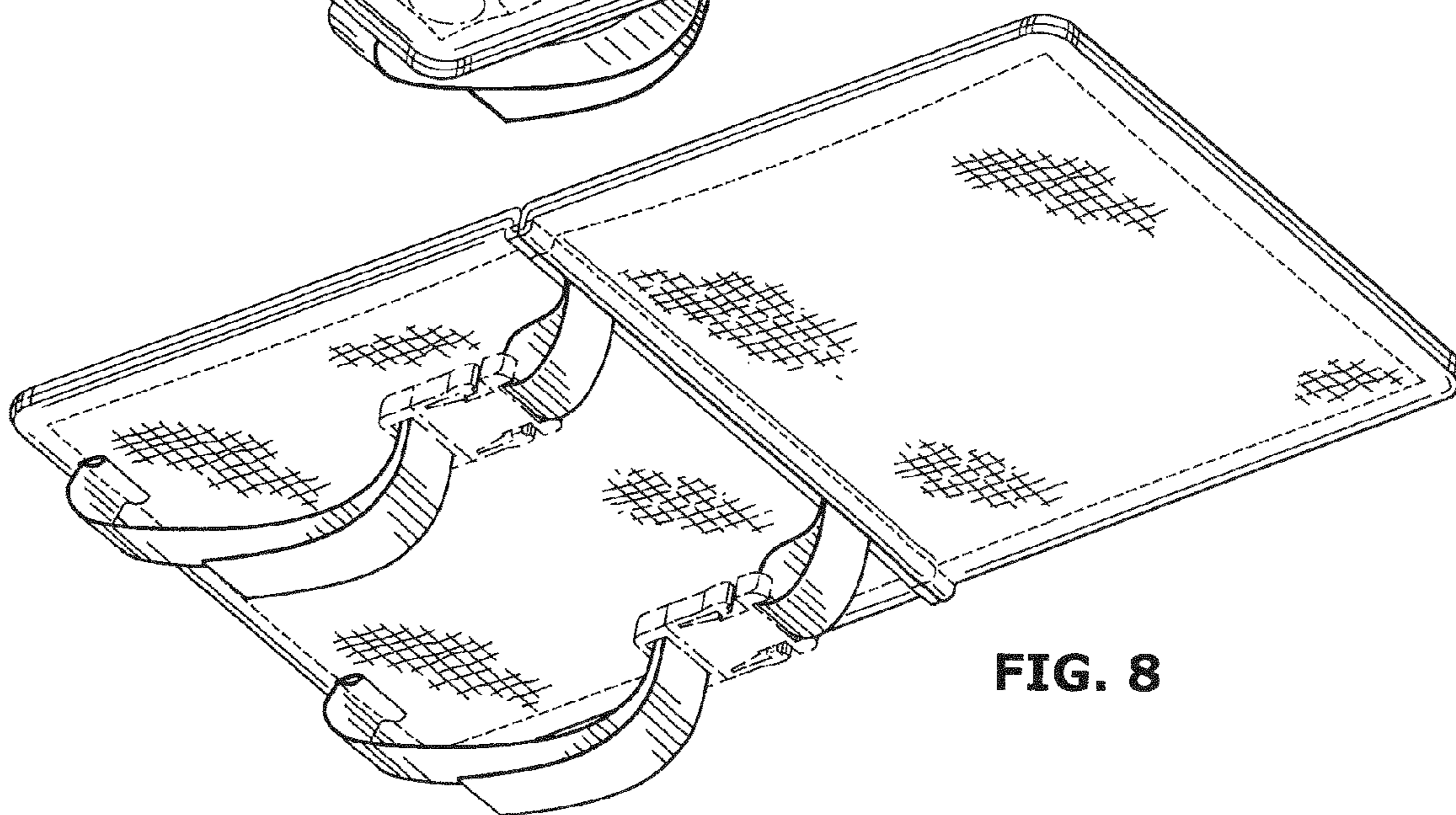


FIG. 8