



US00D645231S

(12) **United States Design Patent**  
**Perry**

(10) **Patent No.:** **US D645,231 S**

(45) **Date of Patent:** **\*\* Sep. 20, 2011**

(54) **HOODIE HAT CLIP**

(76) Inventor: **Charles David Perry**, Searcy, AR (US)

(\*\*) Term: **14 Years**

(21) Appl. No.: **29/349,002**

(22) Filed: **Mar. 29, 2010**

(51) **LOC (9) Cl.** ..... **02-03**

(52) **U.S. Cl.** ..... **D2/891**

(58) **Field of Classification Search** ..... D2/866,  
D2/878, 879, 880, 881, 882, 883, 884, 886,  
D2/888, 891, 893, 895; D8/394, 395, 396;  
D29/122; 2/171, 175.1, 195.1, 195.2, 195.3,  
2/195.7, 209.11, 209.12, 209.13; 24/3.12,  
24/183, 327, 336, 563, DIG. 9, DIG. 13,  
24/DIG. 28; 248/231.81, 300, 316.7

See application file for complete search history.

(56) **References Cited**

U.S. PATENT DOCUMENTS

168,332	A *	10/1875	Hill	24/563
966,325	A *	8/1910	Gilbert	24/563
1,911,959	A *	5/1933	Kern et al.	248/300
D204,446	S *	4/1966	Bardon	D6/541
3,802,032	A *	4/1974	Weed	24/66.13
4,673,153	A *	6/1987	Hilty et al.	248/231.81
4,923,163	A *	5/1990	Harley	248/300
5,454,120	A *	10/1995	Rowlands	2/195.1
5,829,103	A *	11/1998	Allen	24/11 R
5,867,874	A *	2/1999	Simpson	24/336
D407,537	S *	4/1999	Simpson	D2/891
5,896,585	A *	4/1999	Stazo	2/209.13
D412,611	S *	8/1999	Simpson	D2/891

6,694,526	B1 *	2/2004	Tate	2/209.12
6,874,167	B1 *	4/2005	Leszczynski	2/209.13
D522,852	S *	6/2006	Nawrocki	D8/395
7,137,151	B2 *	11/2006	Keech	2/209.13
7,140,047	B2 *	11/2006	Kronenberger	2/209.13
7,172,284	B1 *	2/2007	Sasaki	351/155
D548,068	S *	8/2007	Mounce	D8/395
7,537,183	B2 *	5/2009	Karamanos	248/68.1
2003/0051317	A1 *	3/2003	Preziosi et al.	24/3.12
2005/0223525	A1 *	10/2005	Wartian et al.	24/3.12
2008/0295295	A1 *	12/2008	Rogers	24/3.12

\* cited by examiner

*Primary Examiner* — Karen E Eldridge Powers

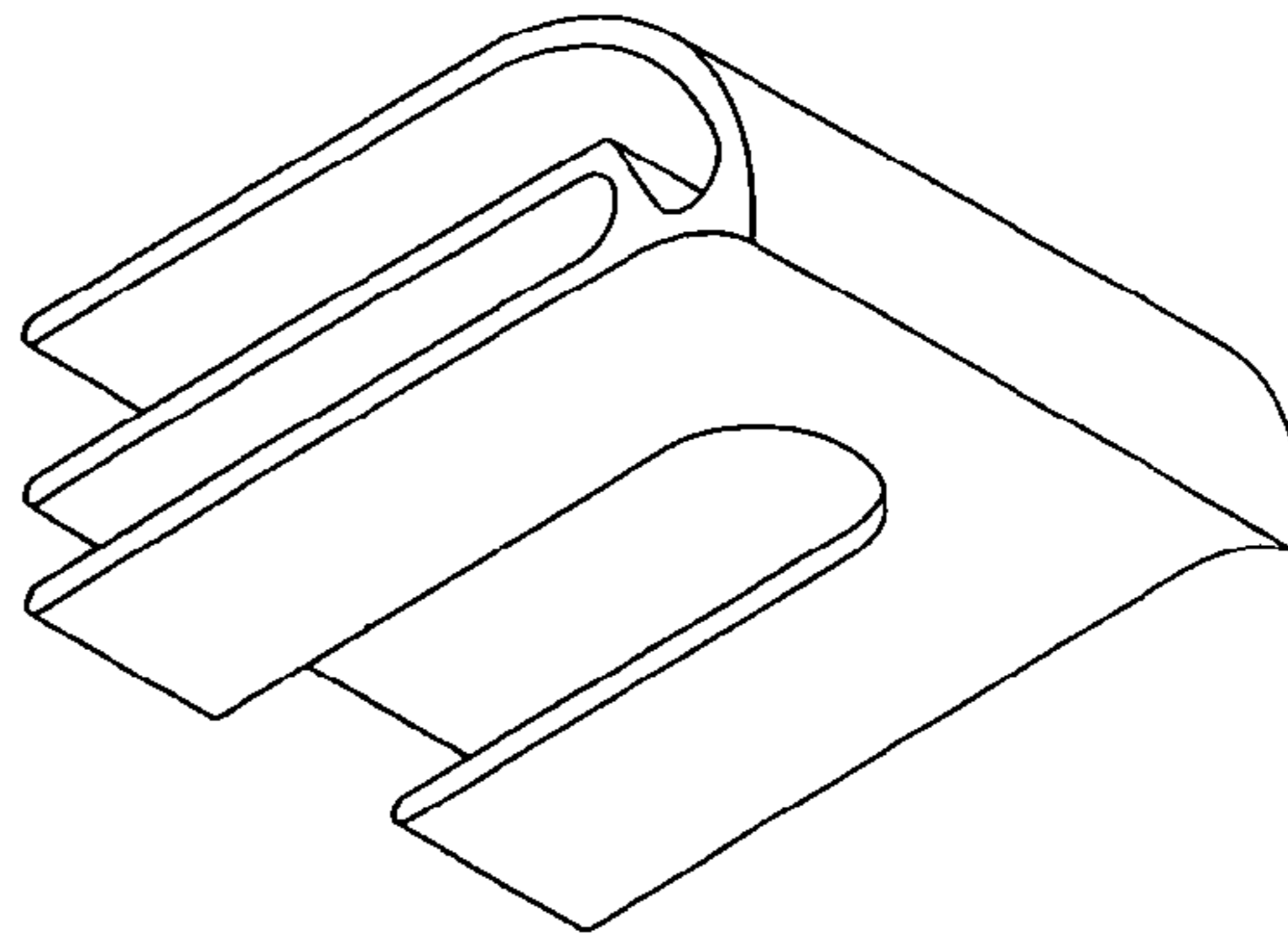
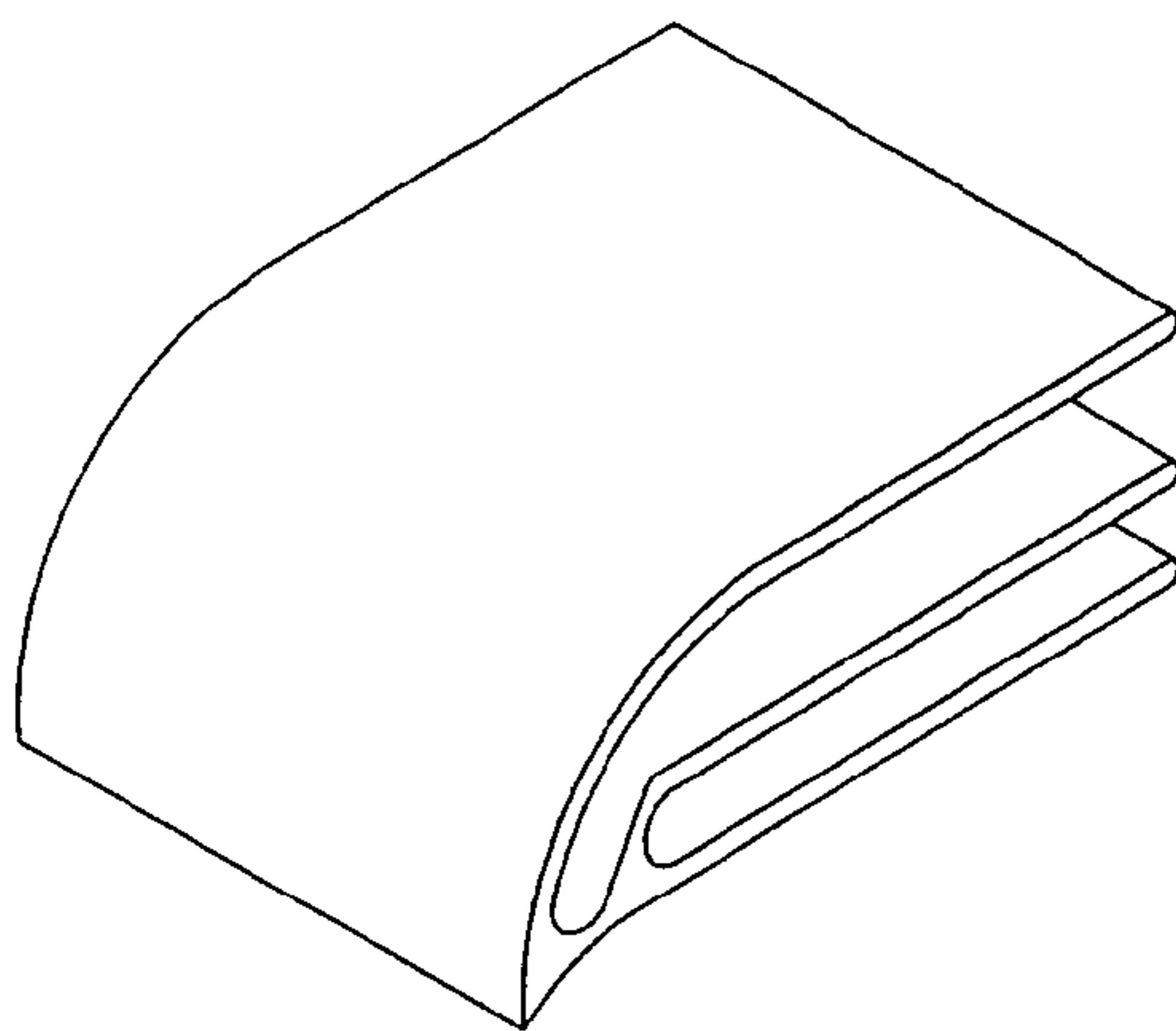
(57) **CLAIM**

I claim the ornamental design for a hoodie hat clip, as shown and described.

**DESCRIPTION**

FIG. 1 is a left side/top/rear perspective view of a hoodie hat clip showing my new design;  
FIG. 2 is a right side/top/rear perspective view thereof;  
FIG. 3 is a right side/bottom/rear perspective view thereof;  
FIG. 4 is a rear elevation view thereof;  
FIG. 5 is a top plan view thereof;  
FIG. 6 is a right side elevation view thereof;  
FIG. 7 is a bottom plan view thereof;  
FIG. 8 is a front elevation view thereof;  
FIG. 9 is a right side/top/front perspective view thereof;  
FIG. 10 is a left side/top/front perspective view thereof; and,  
FIG. 11 is a right side/bottom/front perspective view thereof;

**1 Claim, 2 Drawing Sheets**



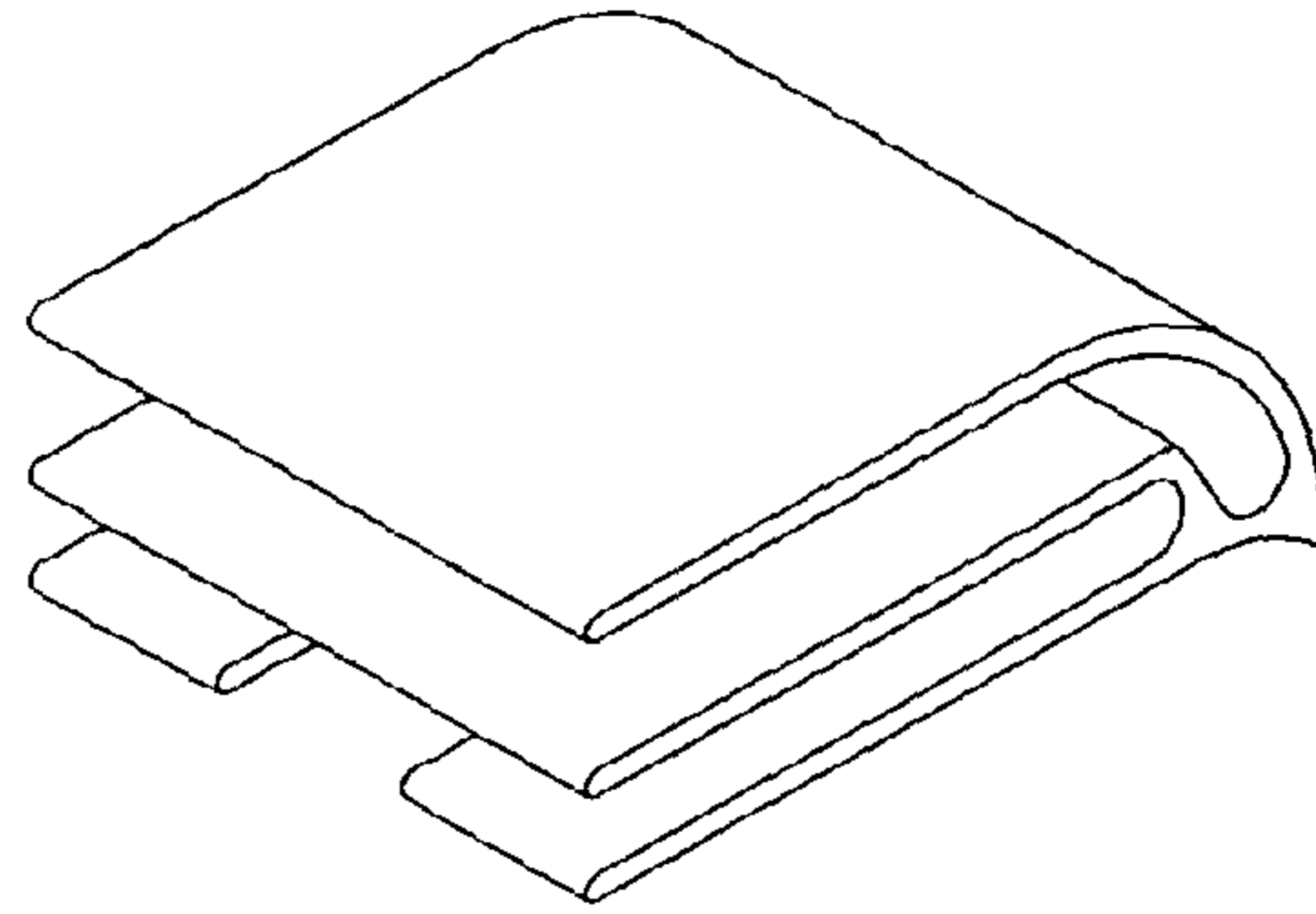


FIG. 2

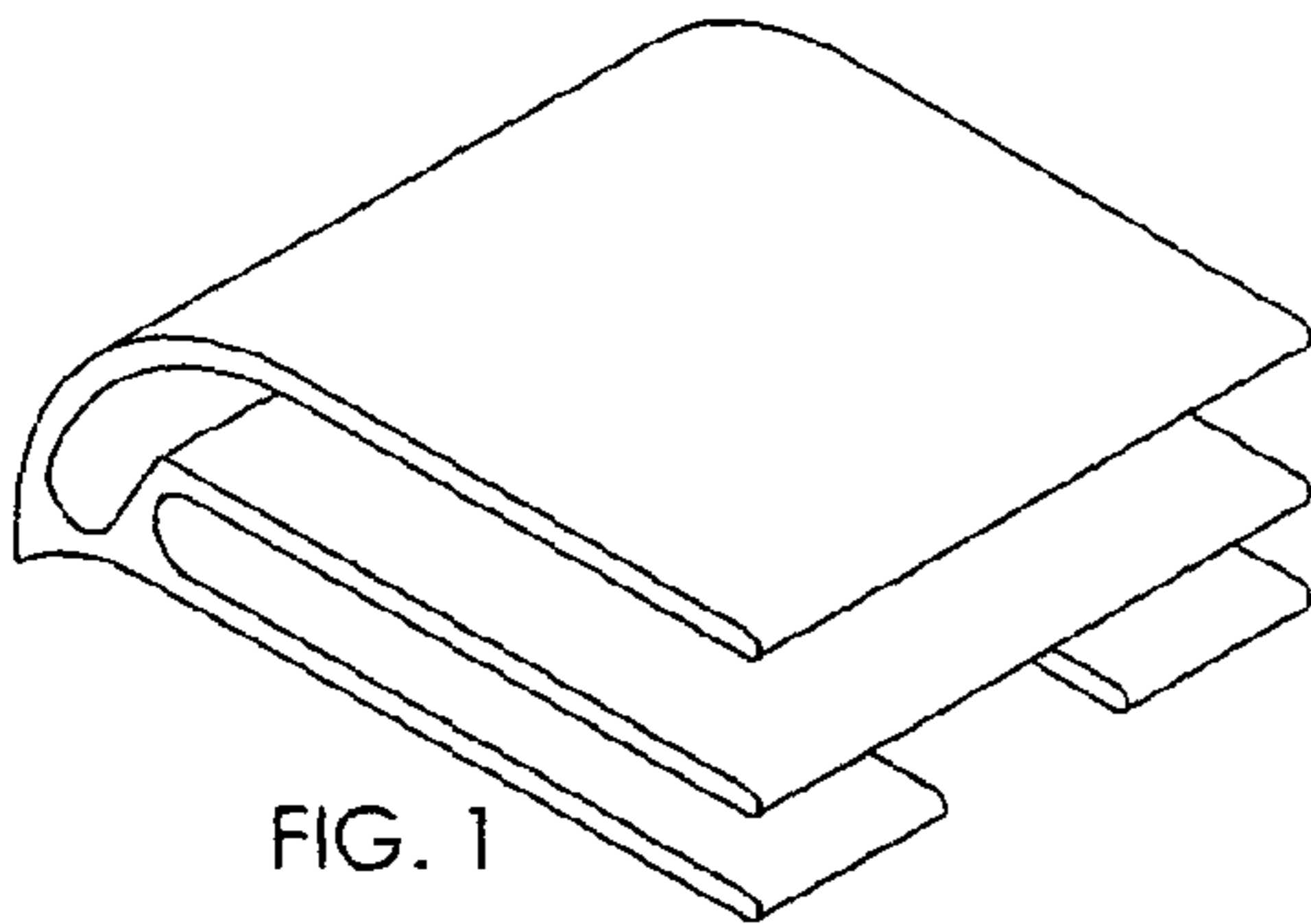


FIG. 1

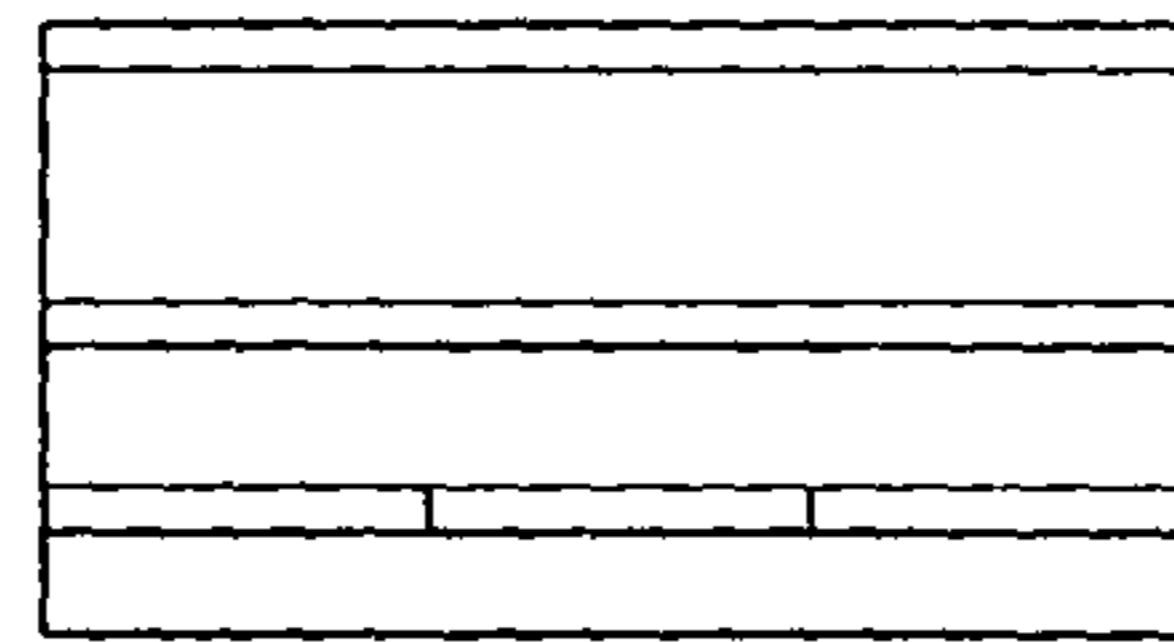


FIG. 4

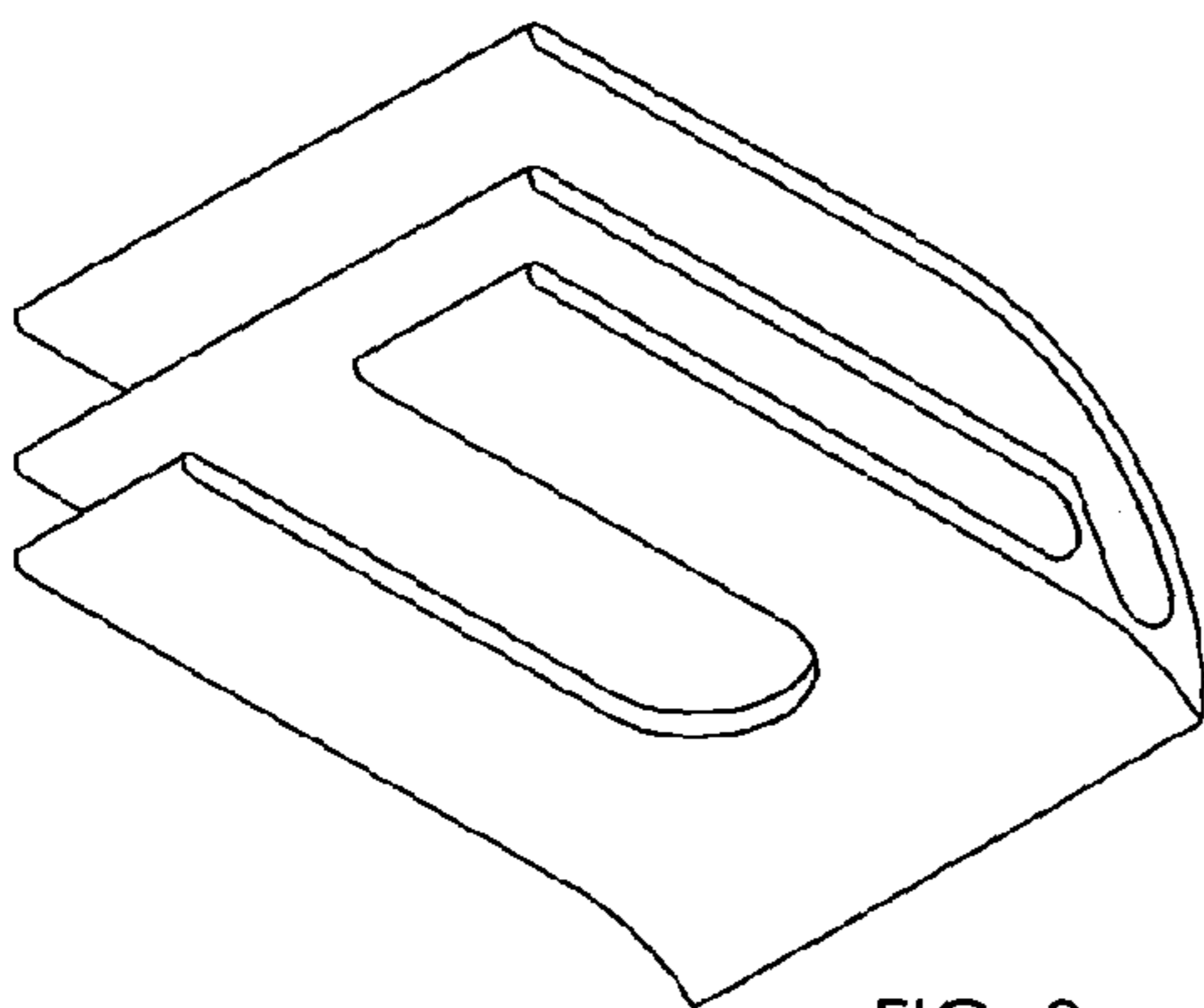


FIG. 3

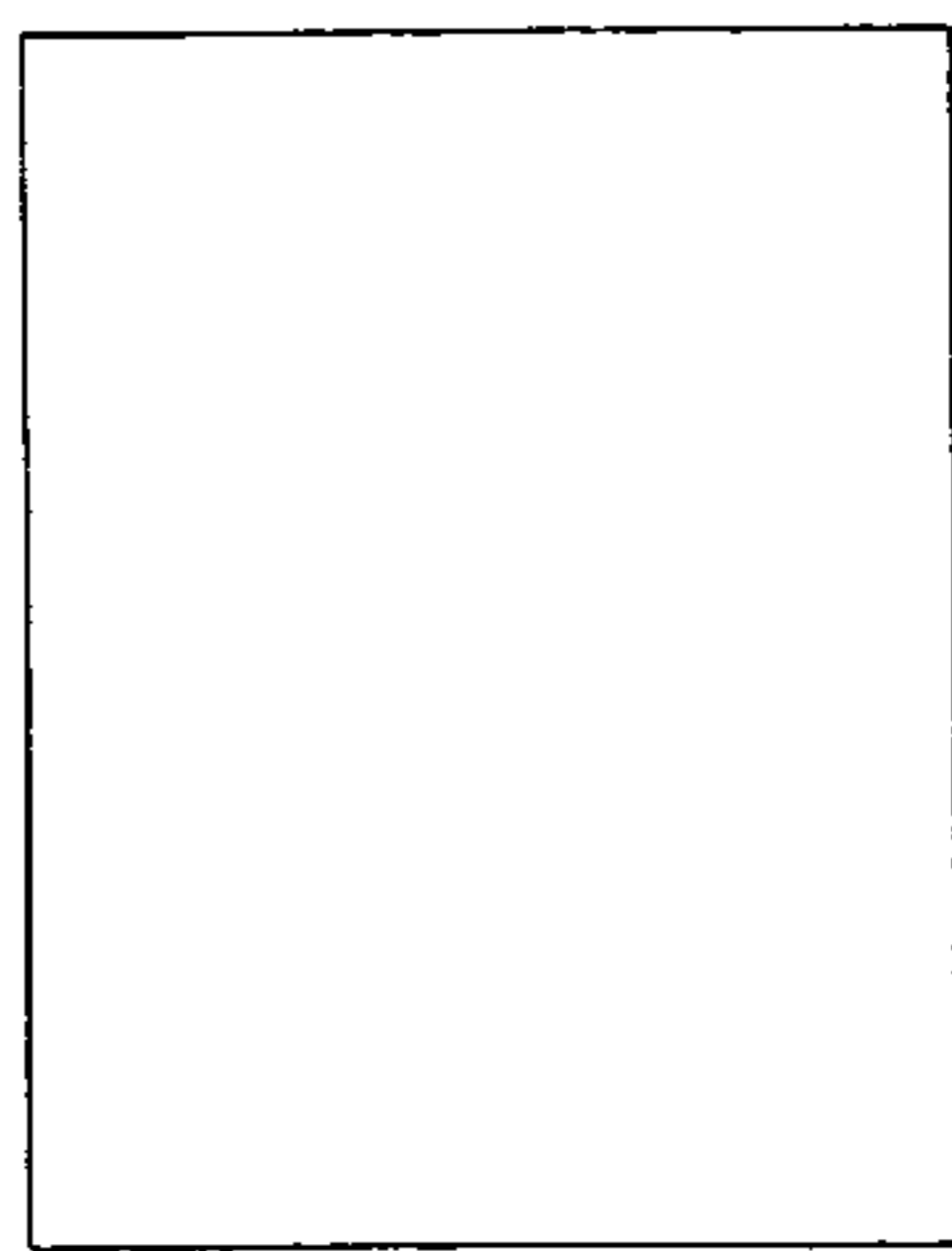


FIG. 5

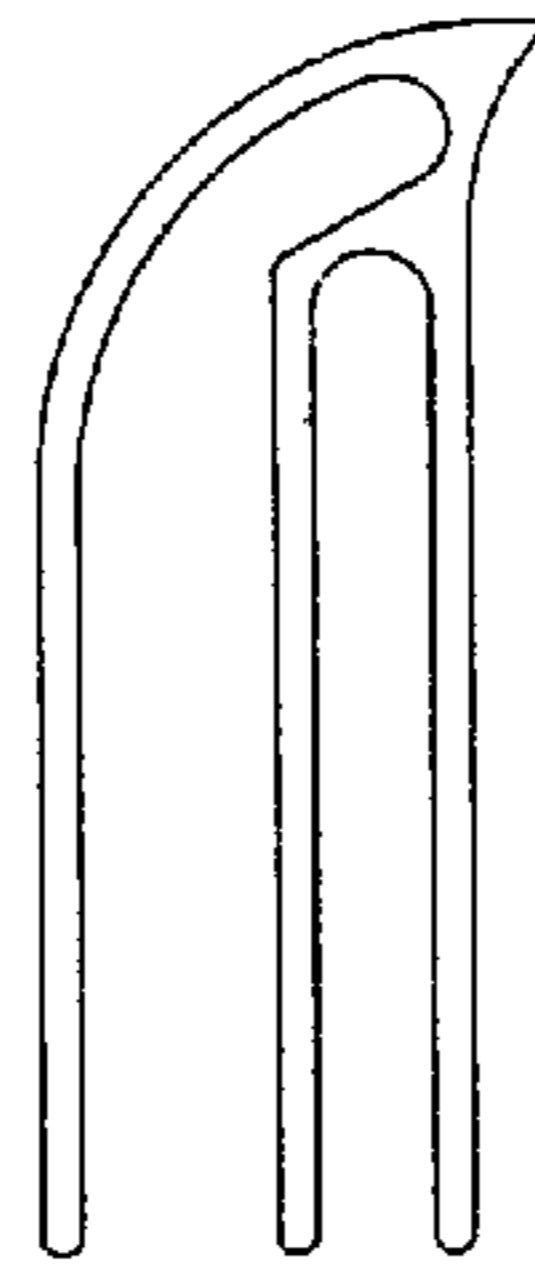


FIG. 6

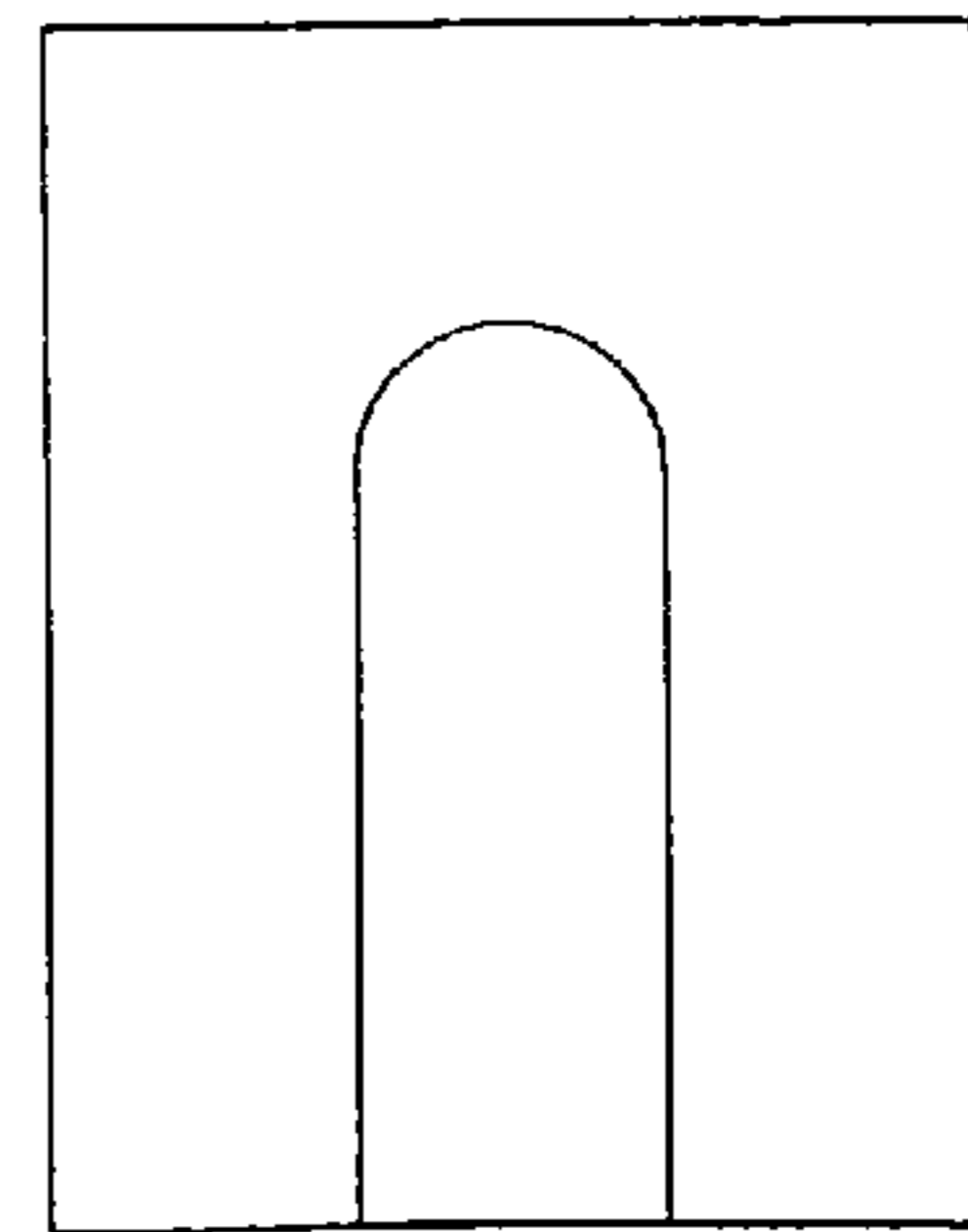


FIG. 7

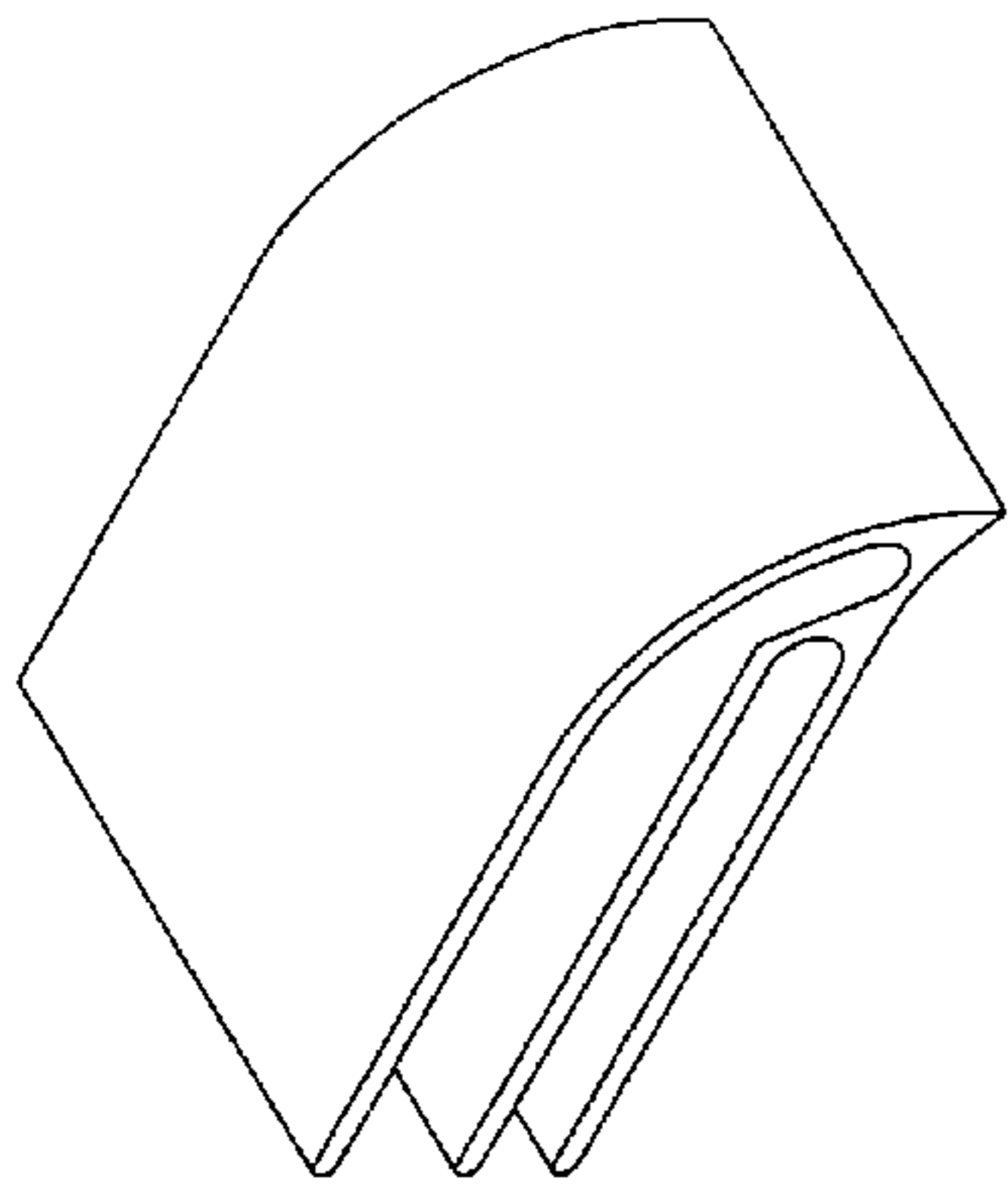


FIG. 9

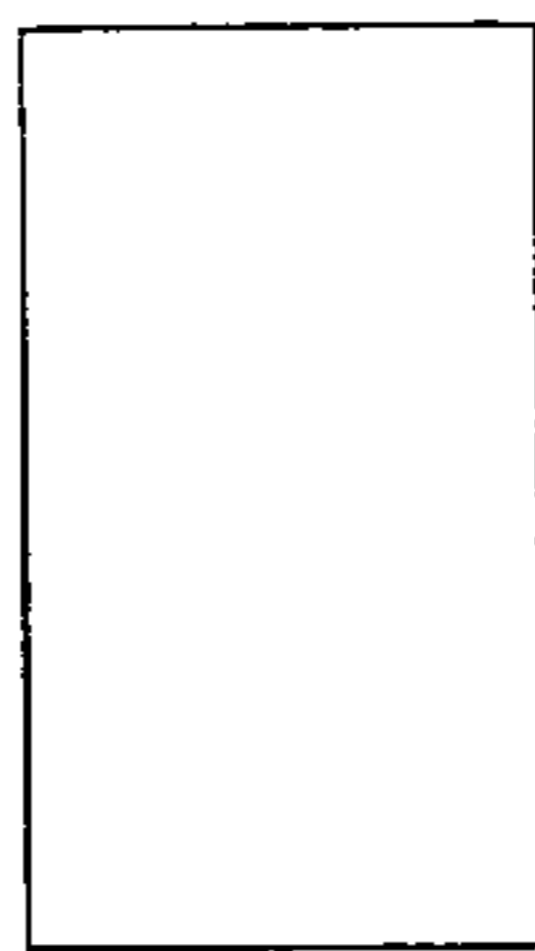


FIG. 8

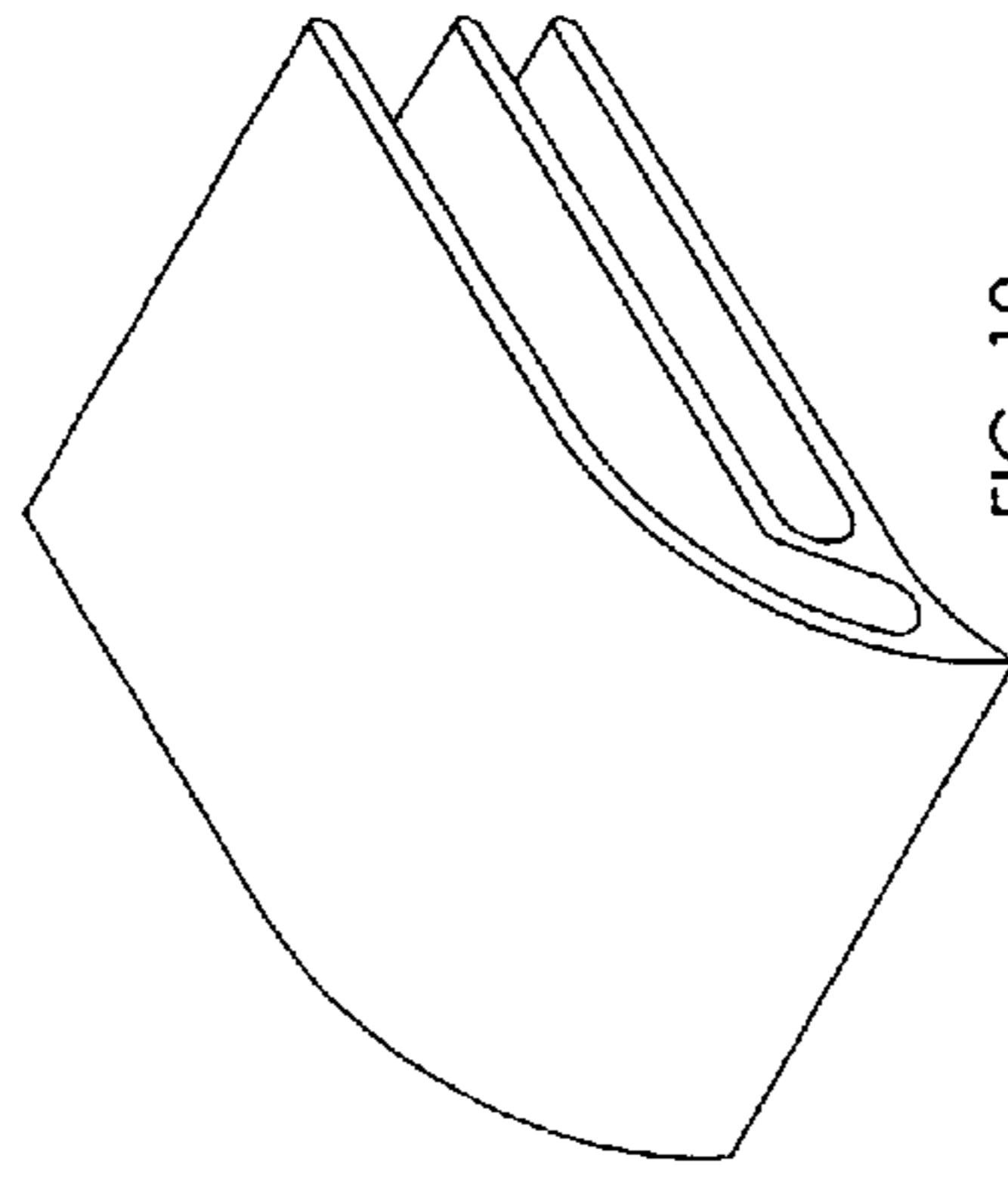


FIG. 10

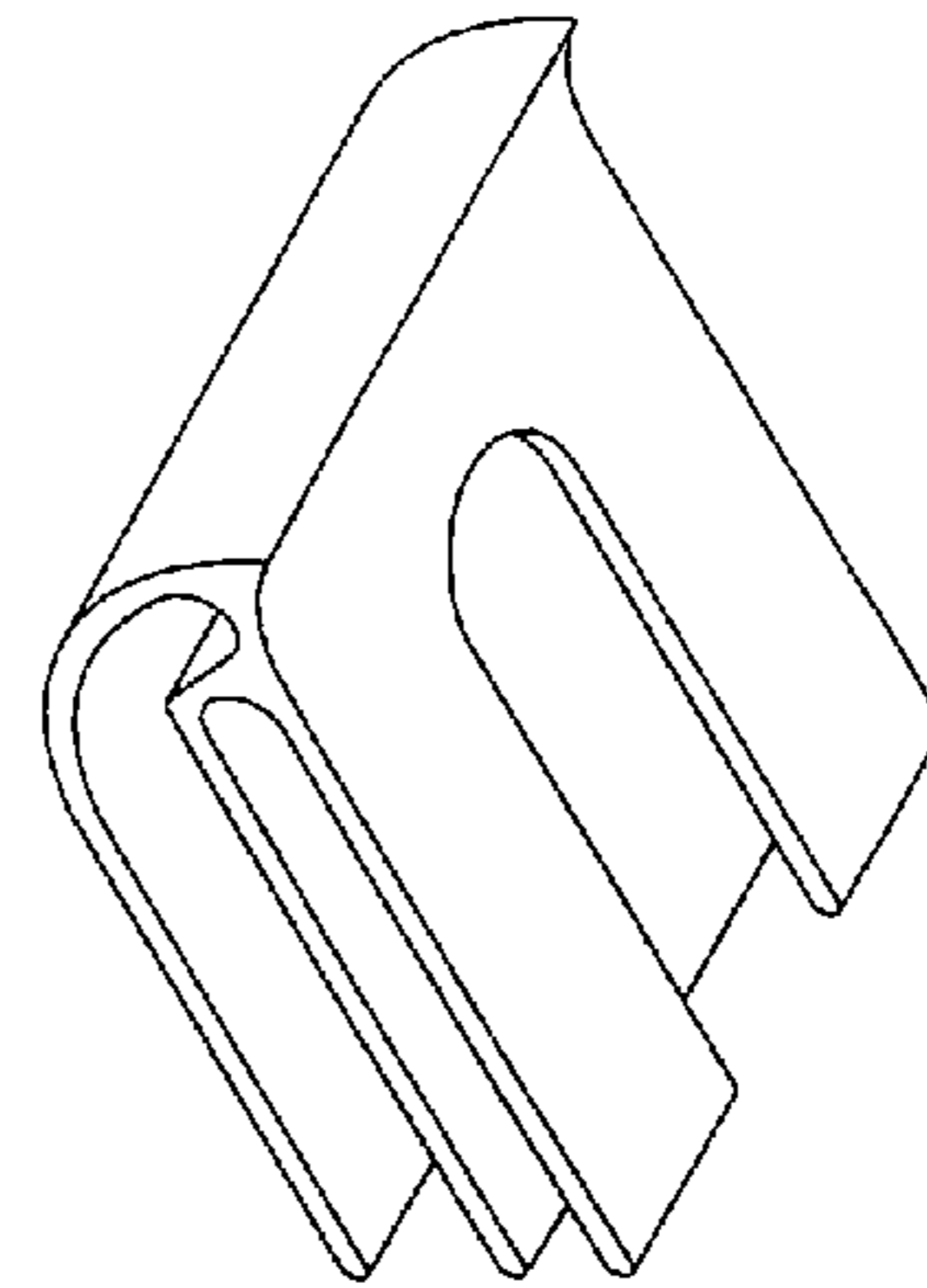


FIG. 11