



US00D645230S

(12) **United States Design Patent**
Rushworth

(10) **Patent No.:** **US D645,230 S**

(45) **Date of Patent:** **** Sep. 20, 2011**

(54) **HOODED SHIRT**

(75) Inventor: **Sasha Rushworth**, Cheltenham (GB)

(73) Assignee: **DKH Retail Limited**, Gloucestershire (GB)

(**) Term: **14 Years**

(21) Appl. No.: **29/364,123**

(22) Filed: **Jun. 18, 2010**
(Under 37 CFR 1.47)

(30) **Foreign Application Priority Data**

Dec. 22, 2009 (EM) 001651019-0004

(51) **LOC (9) Cl.** **02-02**

(52) **U.S. Cl.** **D2/847**

(58) **Field of Classification Search** D2/717,
D2/724, 725, 749, 750, 751, 755, 828, 830-834,
D2/836, 839-841, 844, 845, 847, 849, 779;
2/84, 90, 93, 95-98, 106, 108, 115, 116
See application file for complete search history.

(56) **References Cited**

U.S. PATENT DOCUMENTS

2,368,654	A *	2/1945	Frank	2/94
D261,070	S *	10/1981	Pettibone	D2/831
D263,890	S *	4/1982	Dalton	D2/849
D457,711	S *	5/2002	Mahabir et al.	D2/839
D571,537	S *	6/2008	Wager	D2/750
D617,080	S *	6/2010	Geiss	D2/841
D633,692	S *	3/2011	Lawrence et al.	D2/831

OTHER PUBLICATIONS

Selectism. <http://www.selectism.com/news/2009/04/20/ships-jet-blue-hooded-shirts/>. Apr. 2009. "Ships Jet Blue Hooded Shirts".*

World Industries. <http://www.worldindustries.com/en/504/hooded-jack-flannel-shirt>. Date Unknown: Viewed Apr. 2011. "Hooded jack Flannel Shirt".*

AllSaints Spital Fields. <http://www.us.allsaints.com/men/shirts/alaska-hooded-shirt/ink/mhg537-360>. Date Unknown: Viewed Apr. 2011. "Alaska Hooded Shirt".*

Dogfunk.com. <http://www.dogfunk.com/ezekiel-warren-hooded-shirt-long-sleeve-mens>. Date Unknown: Viewed Apr. 2011. "Ezekiel Warren Hooded Shirt".*

* cited by examiner

Primary Examiner — Ian Simmons

Assistant Examiner — Rashida Johnson

(74) *Attorney, Agent, or Firm* — Fredrikson & Byron, P.A.

(57) **CLAIM**

I claim the ornamental design for the hooded shirt, as shown and described.

DESCRIPTION

FIG. 1 is a front view of the hooded shirt showing my new design; the hood and shirt shown unattached;

FIG. 2 is a rear view thereof;

FIG. 3 is a rear view thereof, showing the hood and shirt attached; the hood shown in a down position;

FIG. 4 is a rear view thereof; the hood shown in an up position;

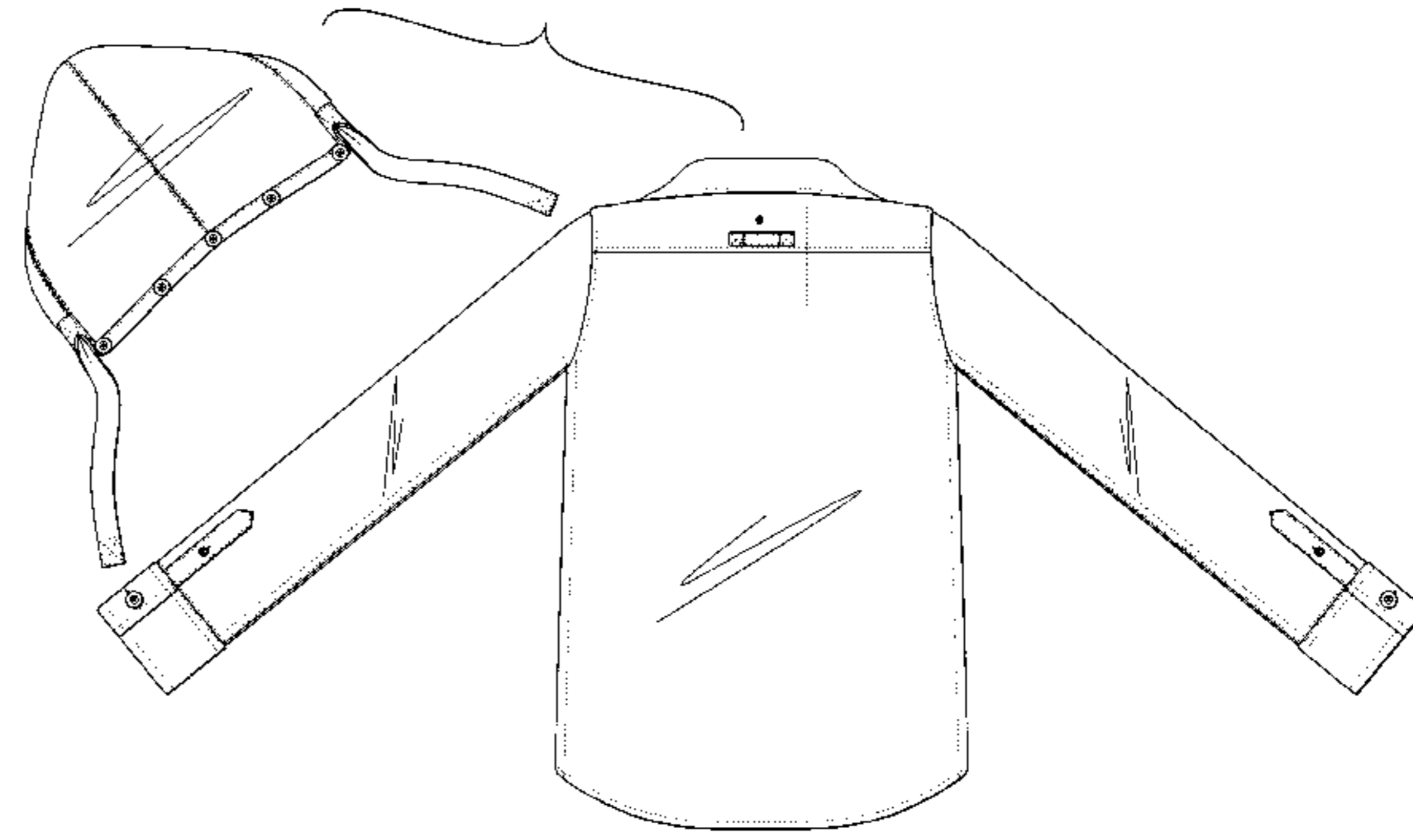
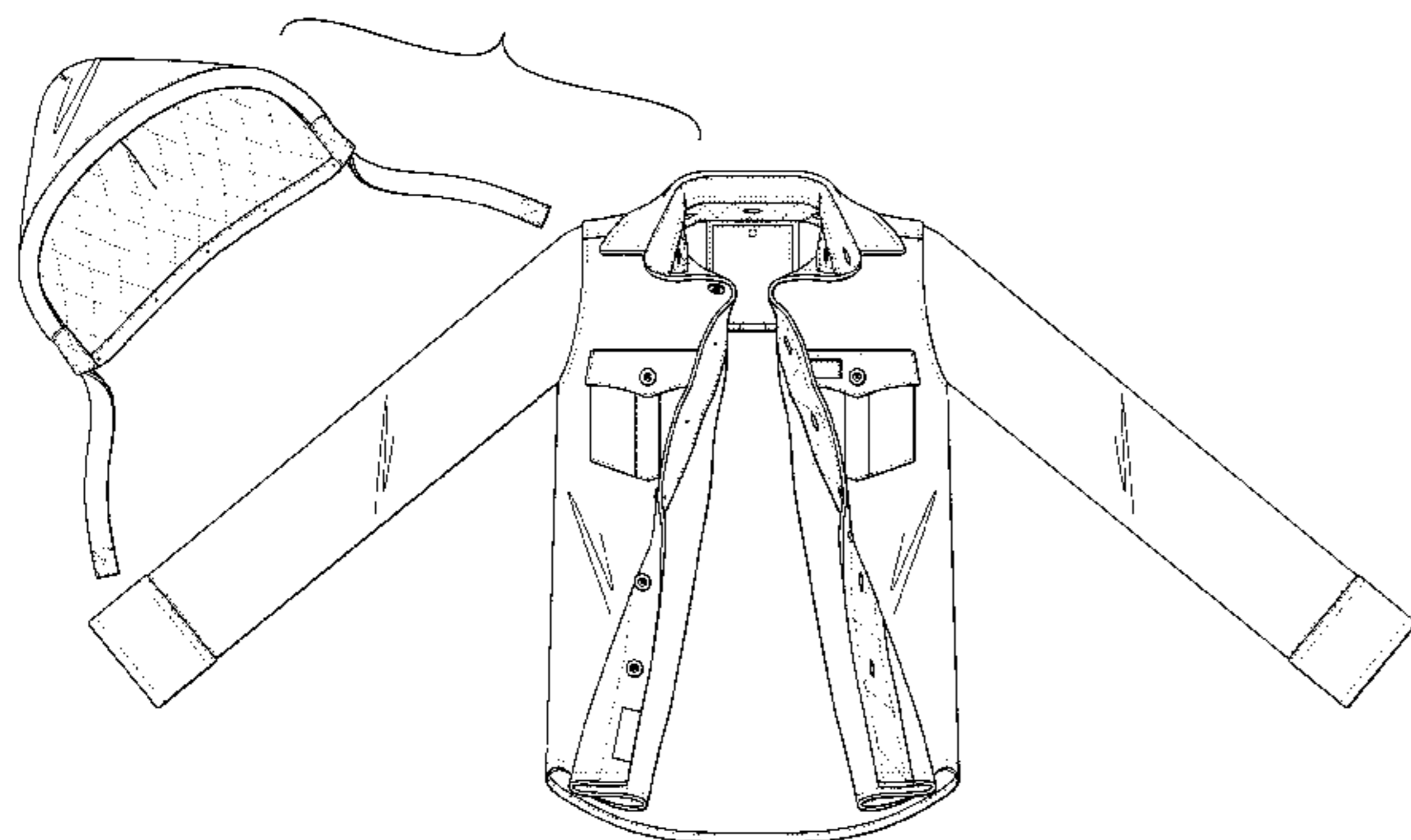
FIG. 5 is a front view thereof; the hood and shirt shown attached;

FIG. 6 is an enlarged partial rear view of the hooded shirt; the hood and shirt shown attached; and,

FIG. 7 is an enlarged partial rear view thereof; the hood and shirt shown partially unattached.

The broken lines in FIGS. 1-7 represent stitching.

1 Claim, 7 Drawing Sheets



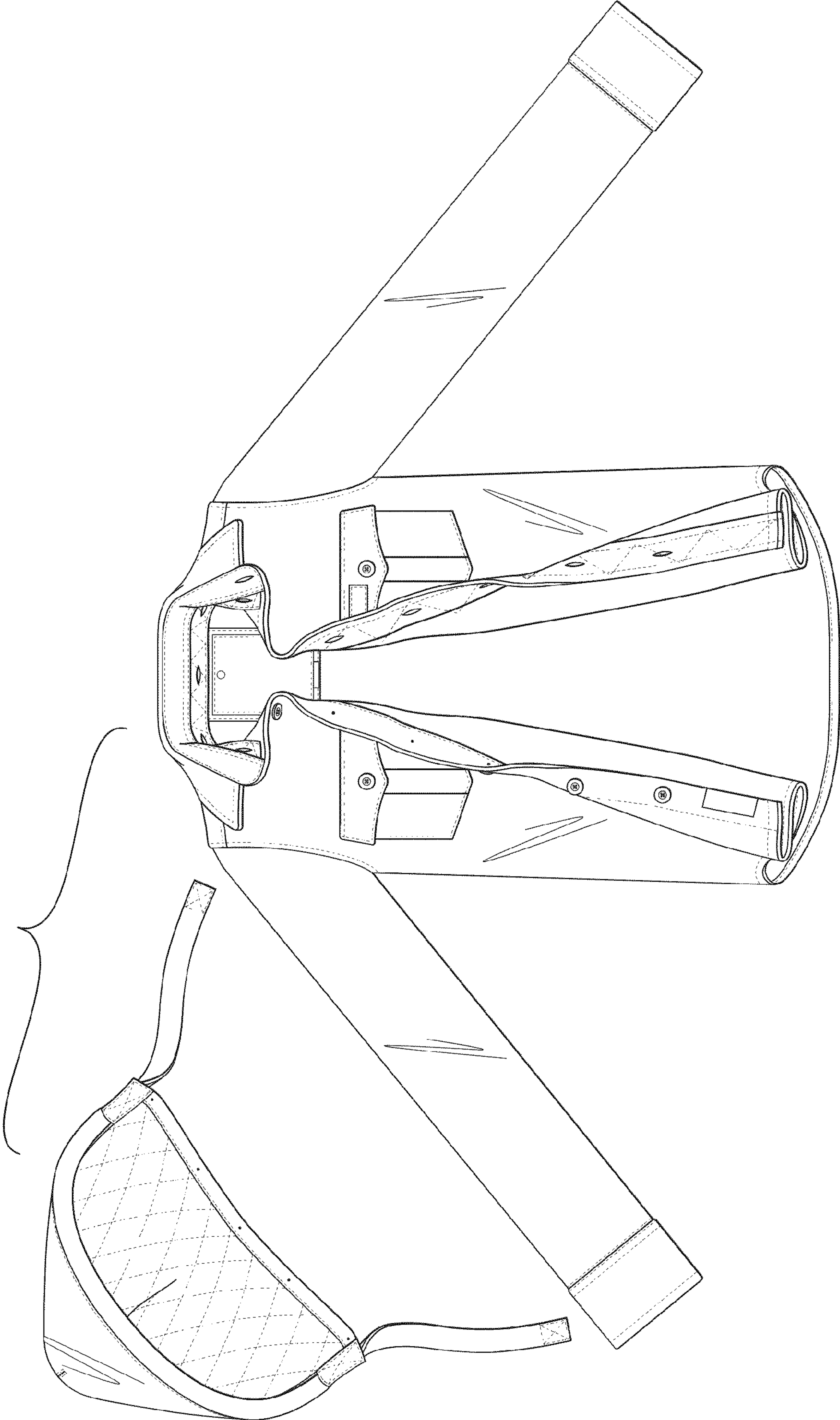


FIG. 1

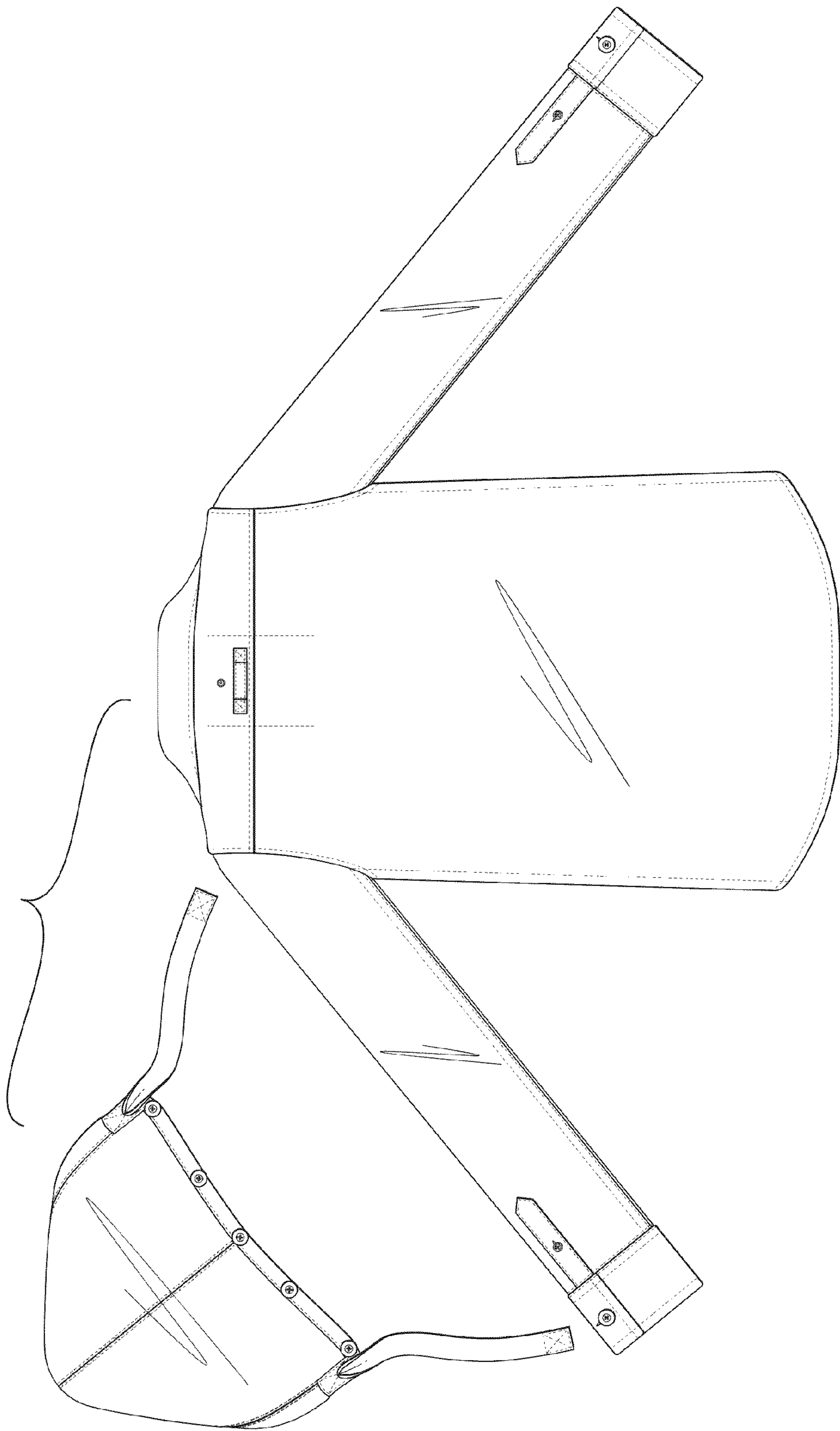


FIG. 2

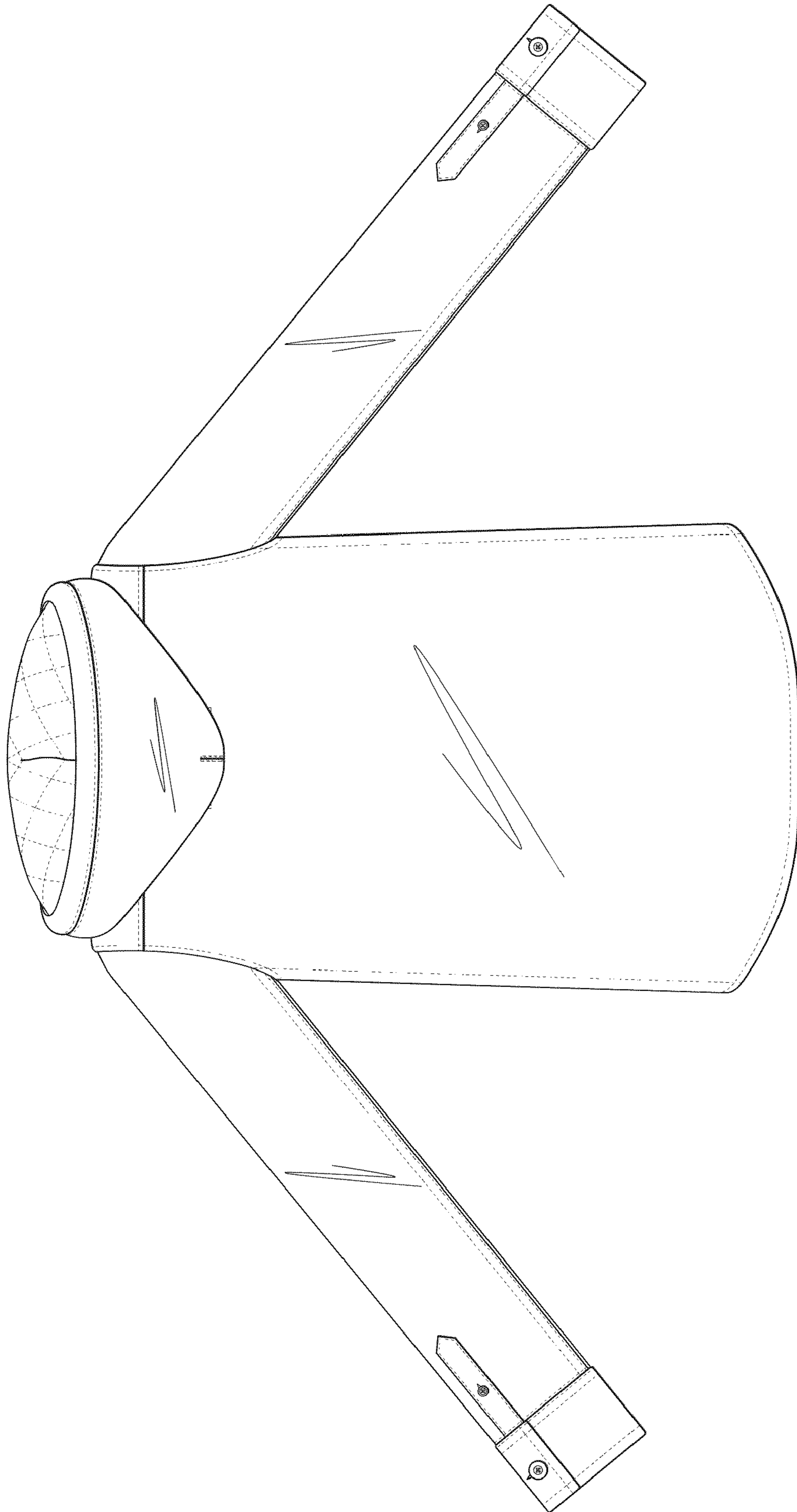


FIG. 3

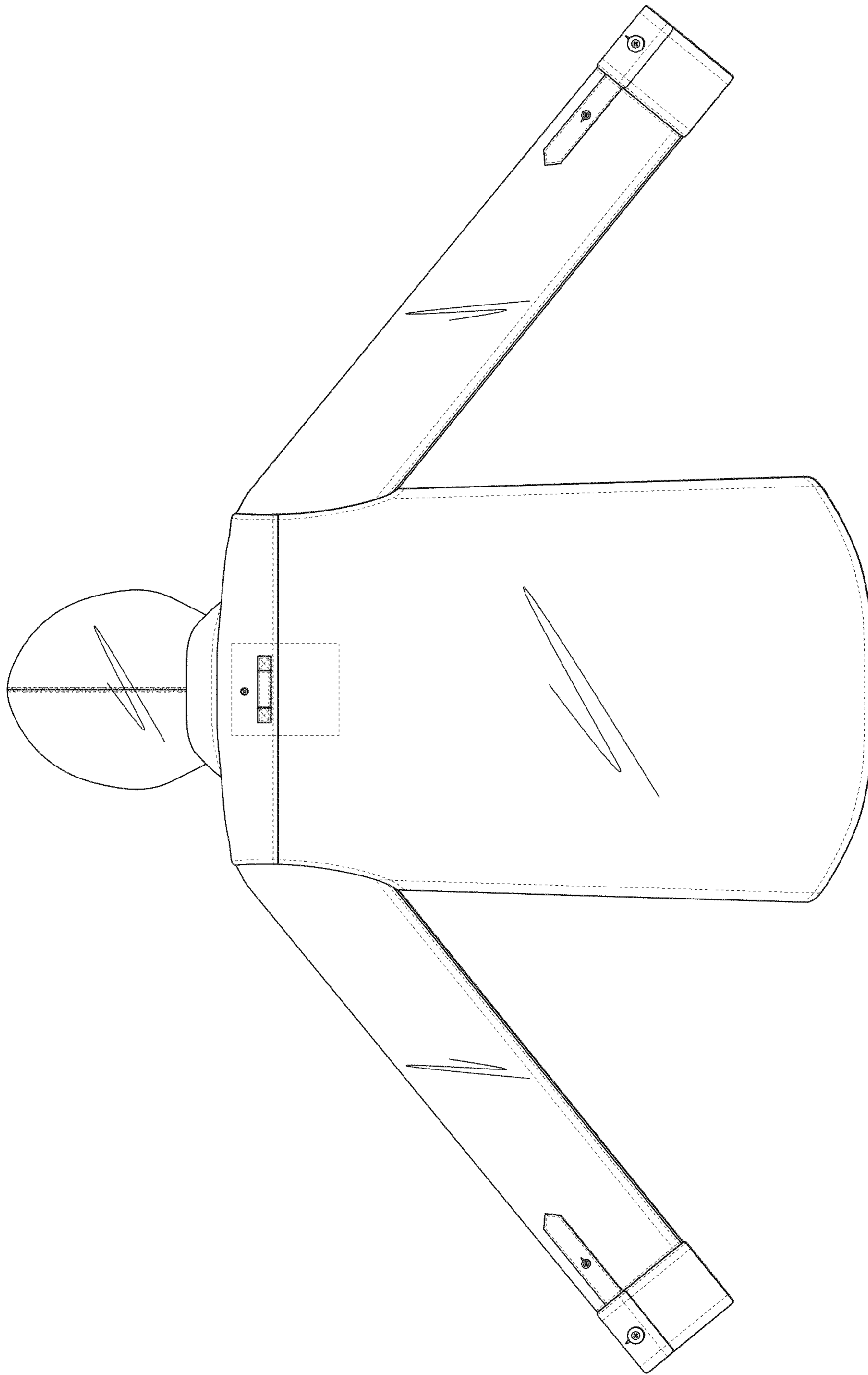


FIG. 4

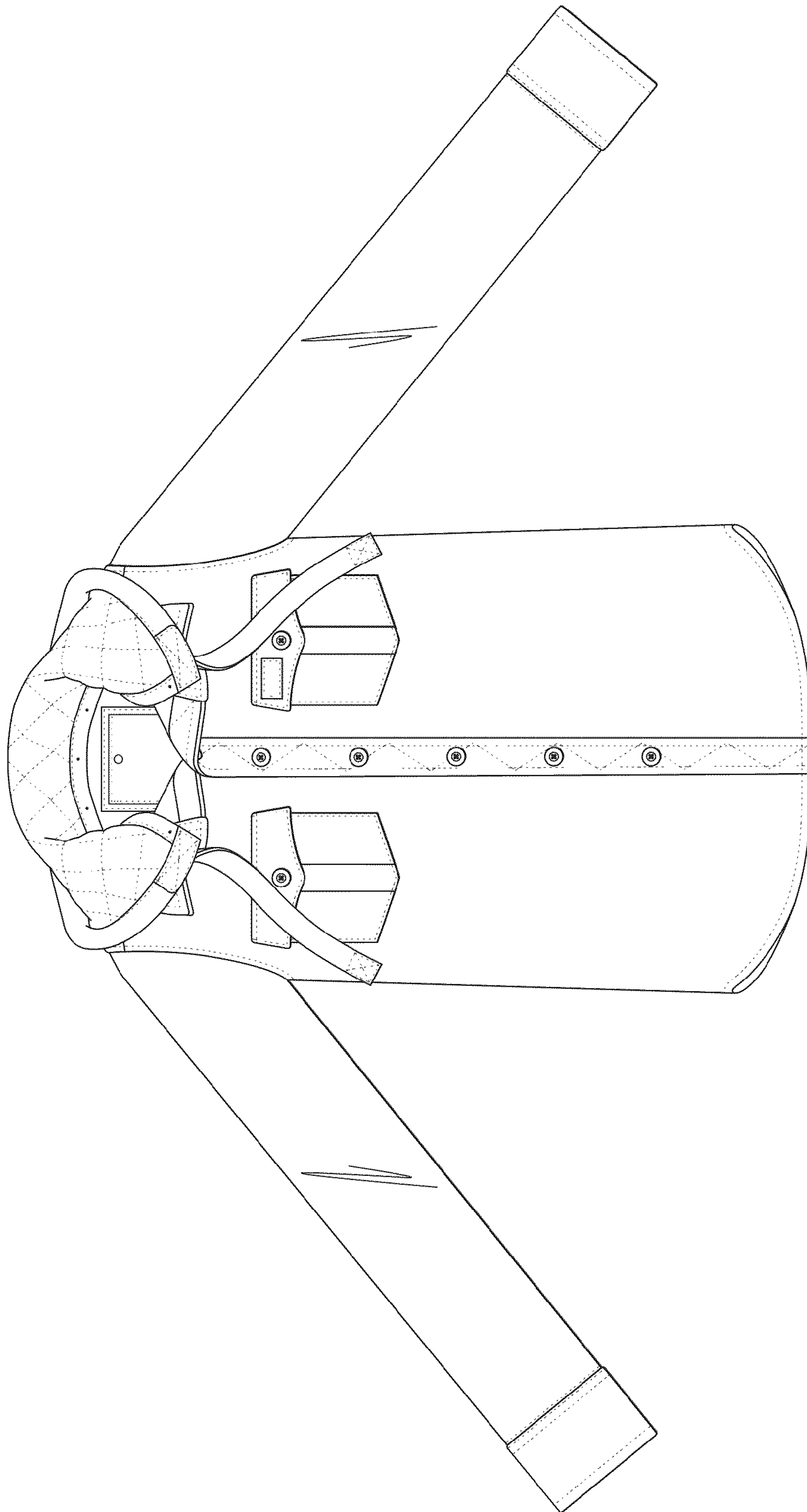


FIG. 5

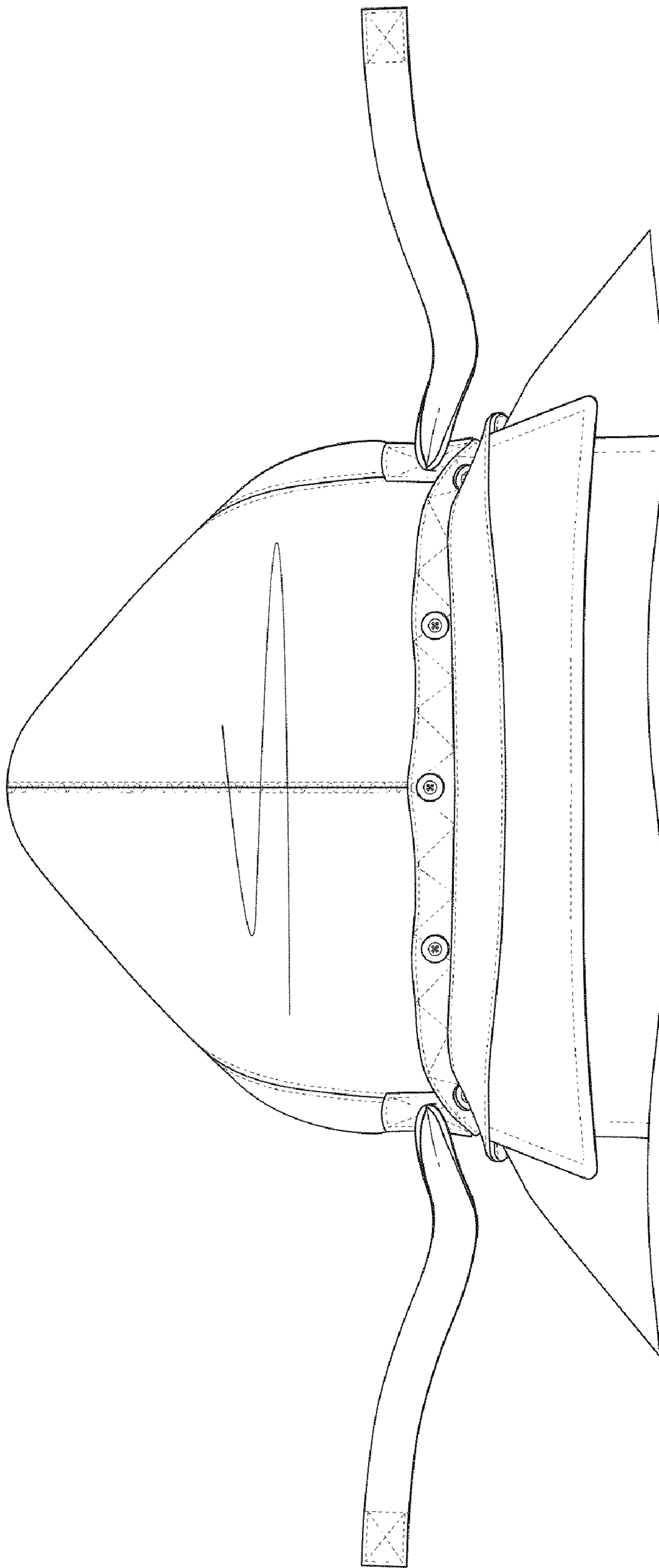


FIG. 6

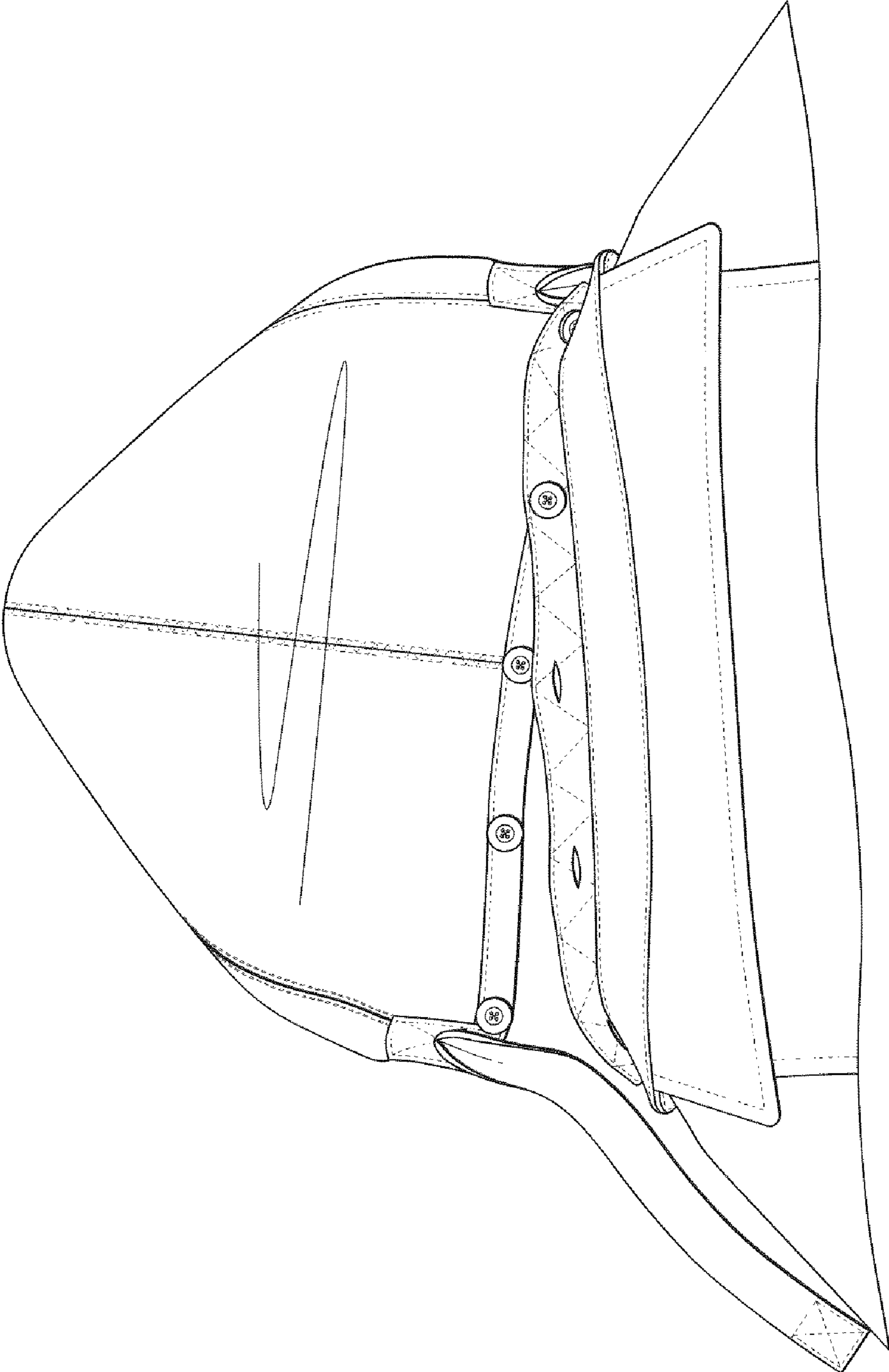


FIG. 7