



US00D645221S

(12) **United States Design Patent**
Brown et al.

(10) **Patent No.:** **US D645,221 S**
(45) **Date of Patent:** **** Sep. 13, 2011**

(54) **CONTAINER LID**

(75) Inventors: **R. Stephen Brown**, Kingston (CA); **Eric Marcotte**, Kingston (CA); **Michelle Douma**, Kingston (CA); **Michael Miron**, Kingston (CA); **Doug Wilton**, Kingston (CA); **Peter Gallant**, Kingston (CA); **David Dolphin**, Inverary (CA); **Lee Underwood**, High Wycombe (GB); **David (Geoffrey) Robinson**, Little Kimble (GB); **Les Stokes**, London (GB); **Peter Holdcroft**, Berkhamsted (GB); **Matthew Miles**, Berkhamsted (GB)

(73) Assignees: **Queen's University**, Kingston, Ontario (CA); **Pathogen Detection Systems, Inc.**, Kingston, Ontario (CA)

(**) Term: **14 Years**

(21) Appl. No.: **29/364,110**

(22) Filed: **Jun. 18, 2010**

(51) **LOC (9) Cl.** **09-09**

(52) **U.S. Cl.** **D34/11**

(58) **Field of Classification Search** D34/1, D34/5, 6, 7, 8, 9, 10, 11; 220/908, 908.1, 220/911, 913, 345.1, 345.2, 200, 203.12

See application file for complete search history.

(56) **References Cited**

U.S. PATENT DOCUMENTS

D513,103 S * 12/2005 Lin D34/9
(Continued)

Primary Examiner — Cynthia Ramirez

(74) *Attorney, Agent, or Firm* — Thomas Meyers; Lillian Horwitz; Brown Rudnick LLP

(57) **CLAIM**

The ornamental design for a container lid, as shown and described.

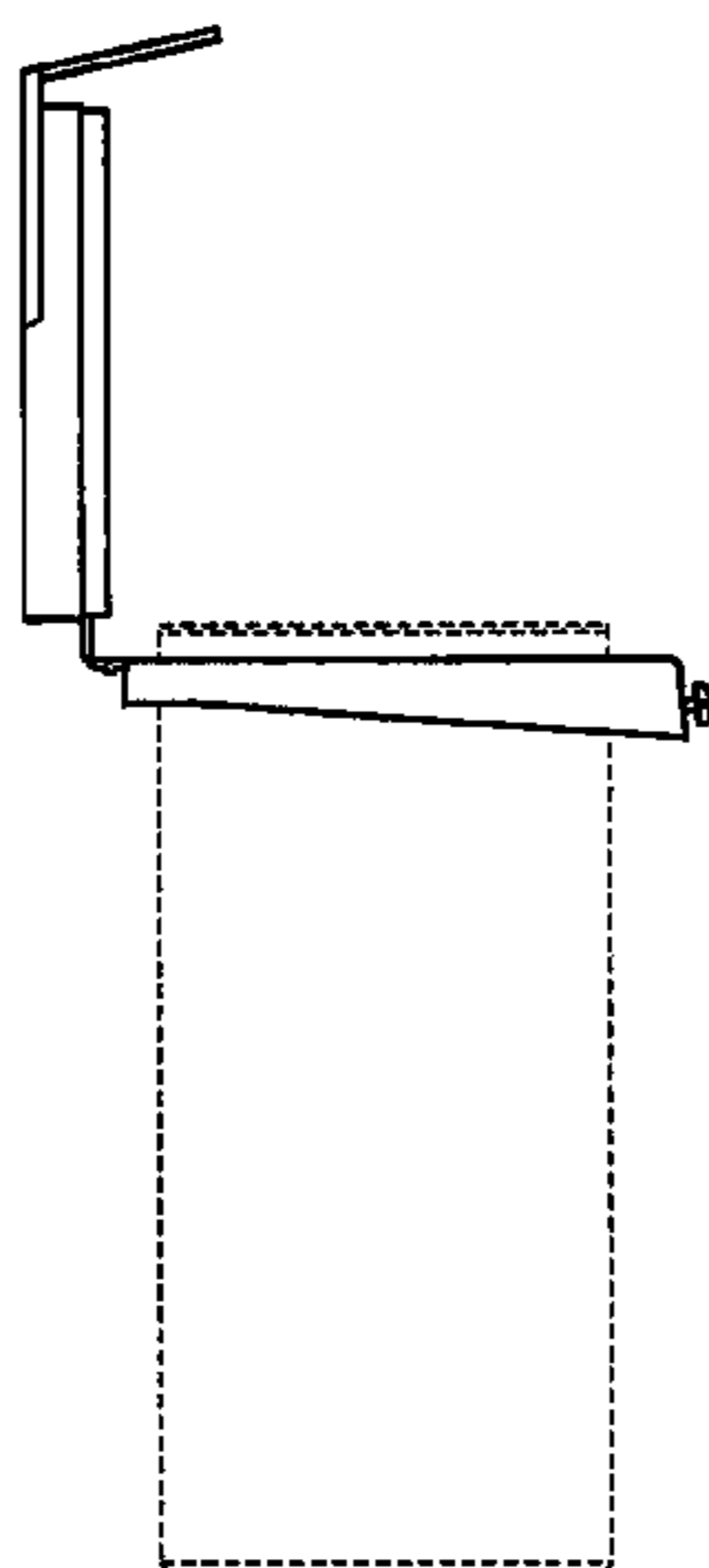
DESCRIPTION

FIG. 1 is a left side view of a new design of a container lid in an open position;
FIG. 2 is a front view of the container lid illustrated in FIG. 1;
FIG. 3 is a right side view of the container lid illustrated in FIG. 1;

FIG. 4 is a back view of the container lid illustrated in FIG. 1;
FIG. 5 is a top view of the container lid illustrated in FIG. 1;
FIG. 6 is a bottom view of the container lid illustrated in FIG. 1;
FIG. 7 is a perspective view of the container lid illustrated in FIG. 1;
FIG. 8 is a left side view of the container lid illustrated in FIG. 1 in a closed position;
FIG. 9 is a front view of the container lid illustrated in FIG. 8;
FIG. 10 is a right side view of the container lid illustrated in FIG. 8;
FIG. 11 is a back view of the container lid illustrated in FIG. 8;
FIG. 12 is a top view of the container lid illustrated in FIG. 8;
FIG. 13 is a bottom view of the container lid illustrated in FIG. 8;
FIG. 14 is a perspective view of the container lid illustrated in FIG. 8;
FIG. 15 is a left side view of a new design of a container lid in an open position according to another embodiment;
FIG. 16 is a front view of the container lid illustrated in FIG. 15;
FIG. 17 is a right side view of the container lid illustrated in FIG. 15;
FIG. 18 is a back view of the container lid illustrated in FIG. 15;
FIG. 19 is a top view of the container lid illustrated in FIG. 15;
FIG. 20 is a bottom view of the container lid illustrated in FIG. 15;
FIG. 21 is a perspective view of the container lid illustrated in FIG. 15;
FIG. 22 is a left side view of the container lid illustrated in FIG. 15 in a closed position;
FIG. 23 is a front view of the container lid illustrated in FIG. 22;
FIG. 24 is a right side view of the container lid illustrated in FIG. 22;
FIG. 25 is a back view of the container lid illustrated in FIG. 22;
FIG. 26 is a top view of the container lid illustrated in FIG. 22;
FIG. 27 is a bottom view of the container lid illustrated in FIG. 22; and,
FIG. 28 is a perspective view of the container lid illustrated in FIG. 22.

The portion of the article depicted in broken lines is for illustrative purposes only and form no part of the claimed design.

1 Claim, 8 Drawing Sheets



US D645,221 S

Page 2

U.S. PATENT DOCUMENTS

D526,456 S *	8/2006	Lin	D34/9	D636,961 S *	4/2011	Duvigneau	D34/9
D586,066 S *	2/2009	Lin	D34/7	2005/0082196 A1 *	4/2005	Lin	206/554
D627,533 S *	11/2010	Yang et al.	D34/7	* cited by examiner				

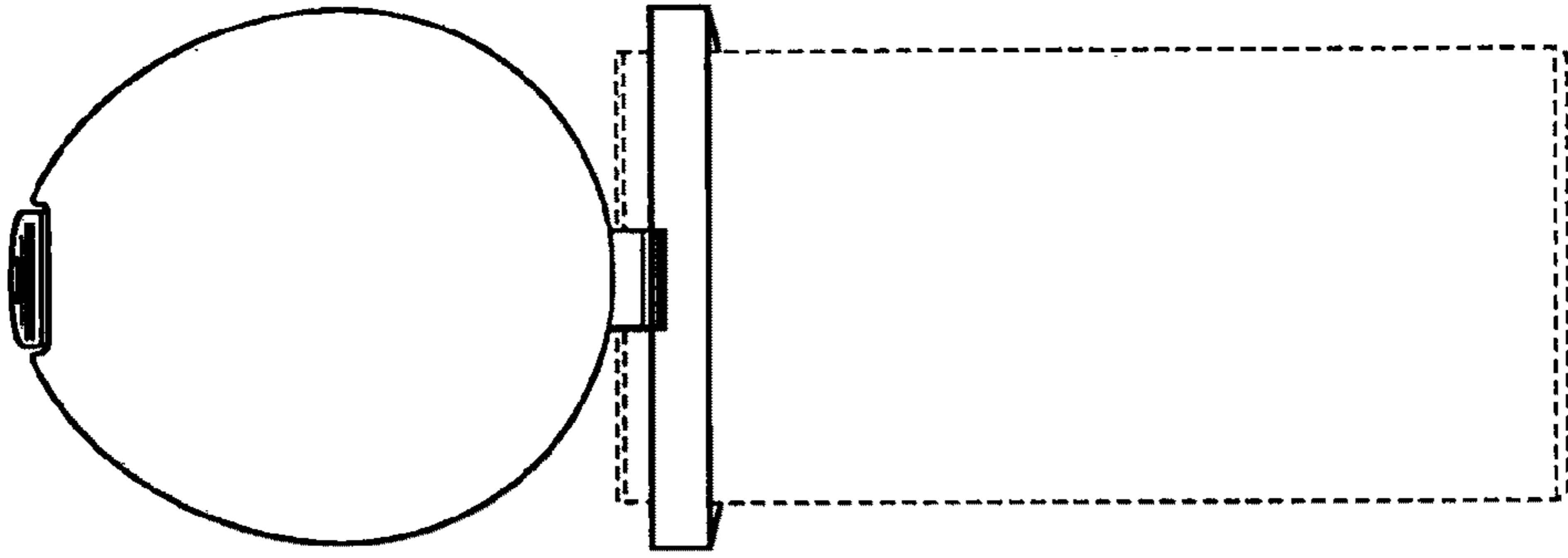


Figure 4

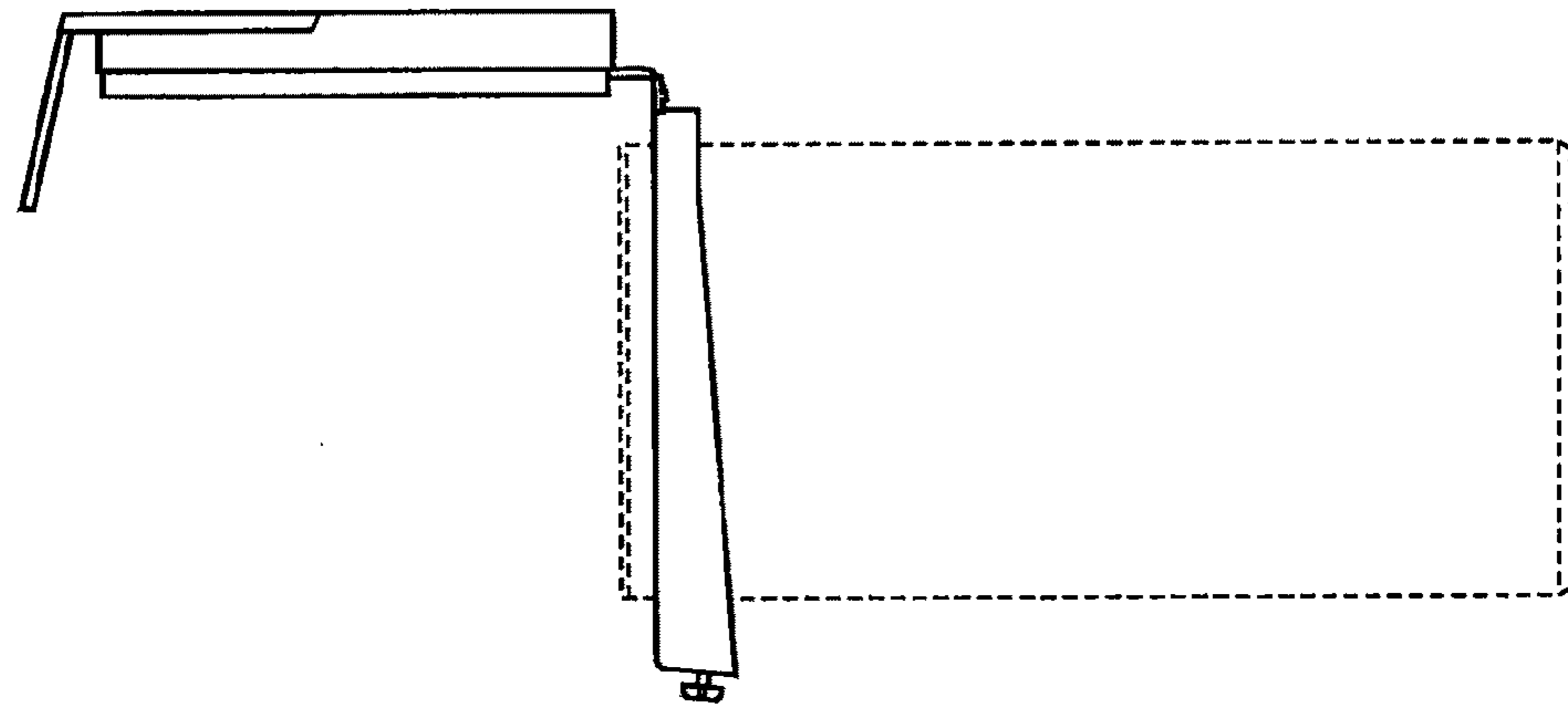


Figure 3

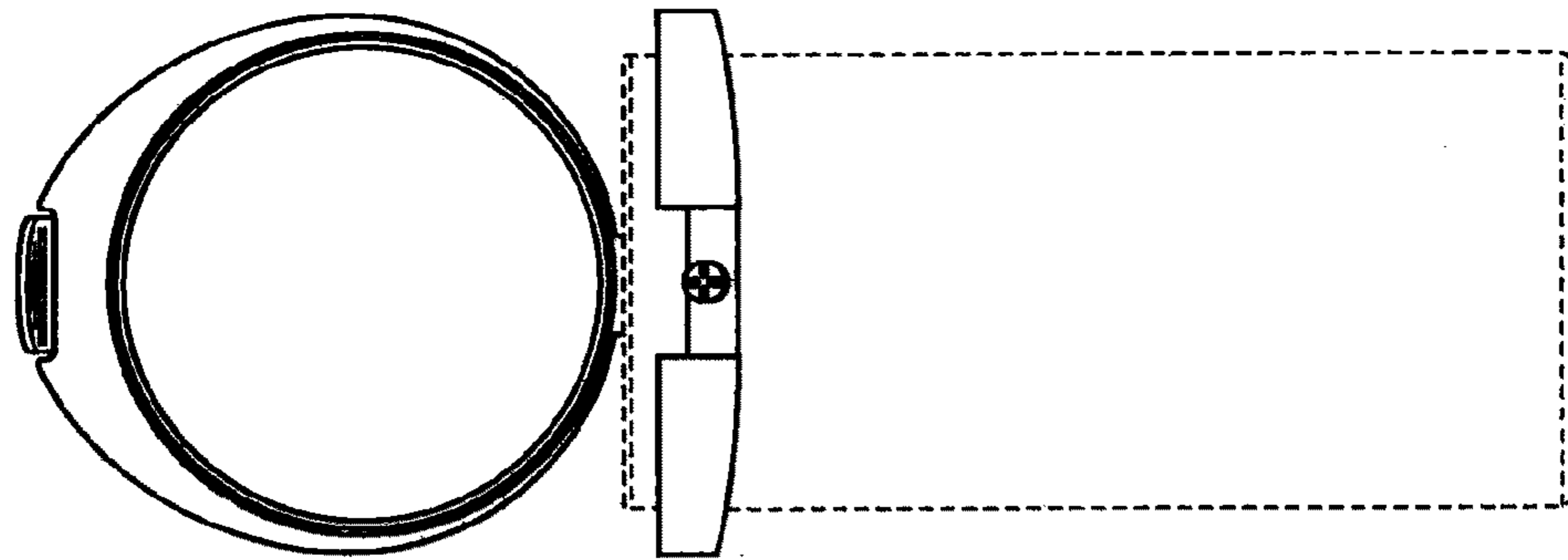


Figure 2

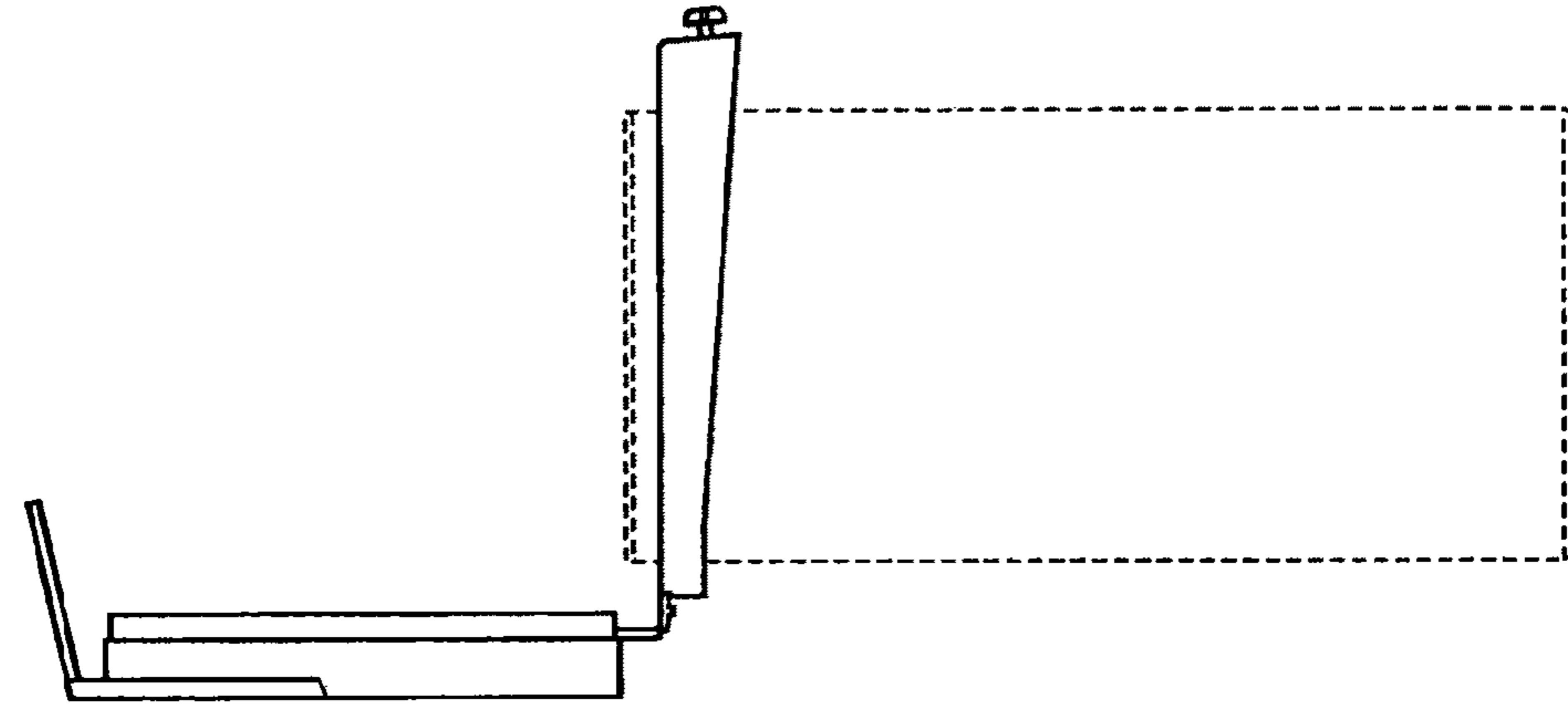


Figure 1

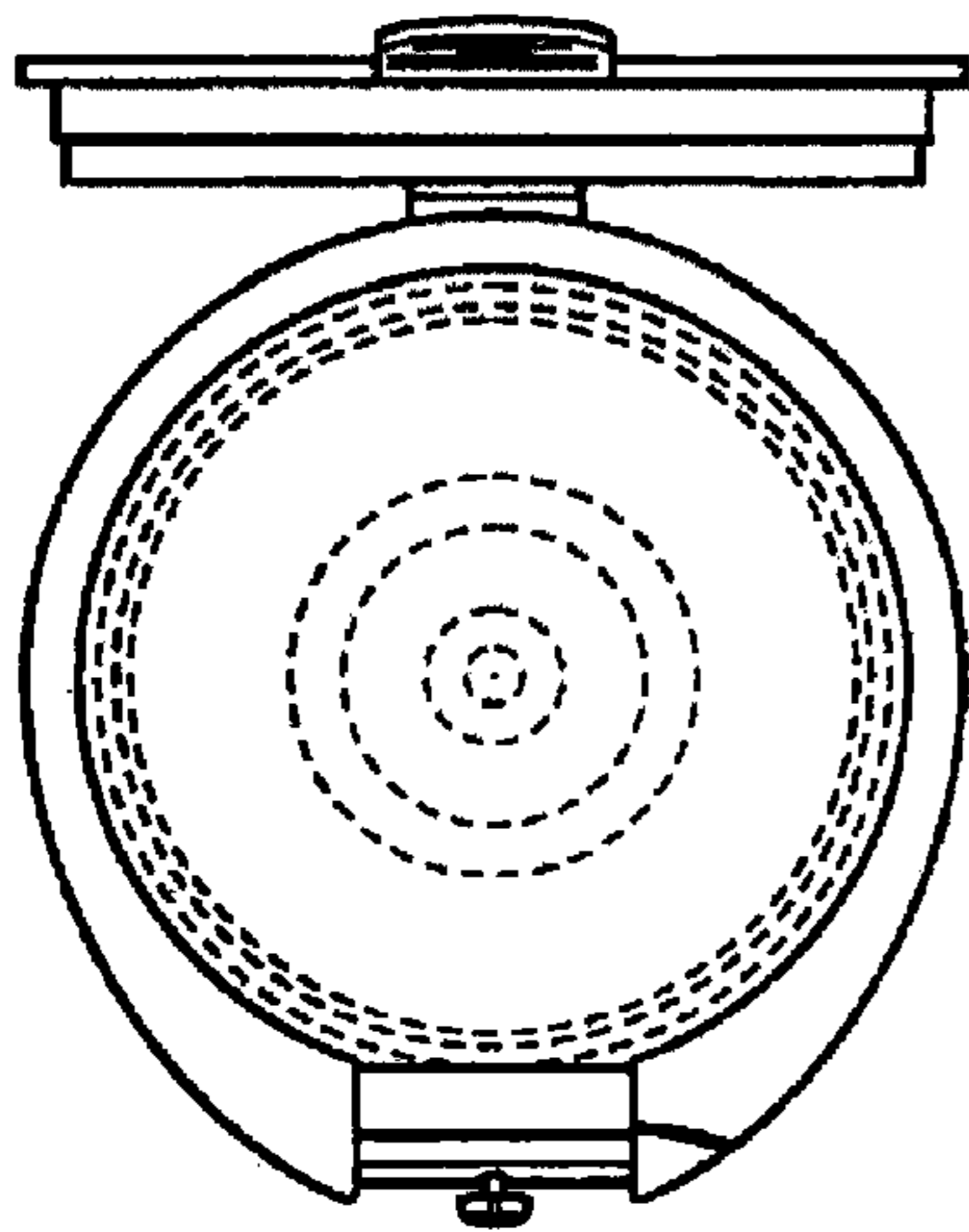


Figure 5

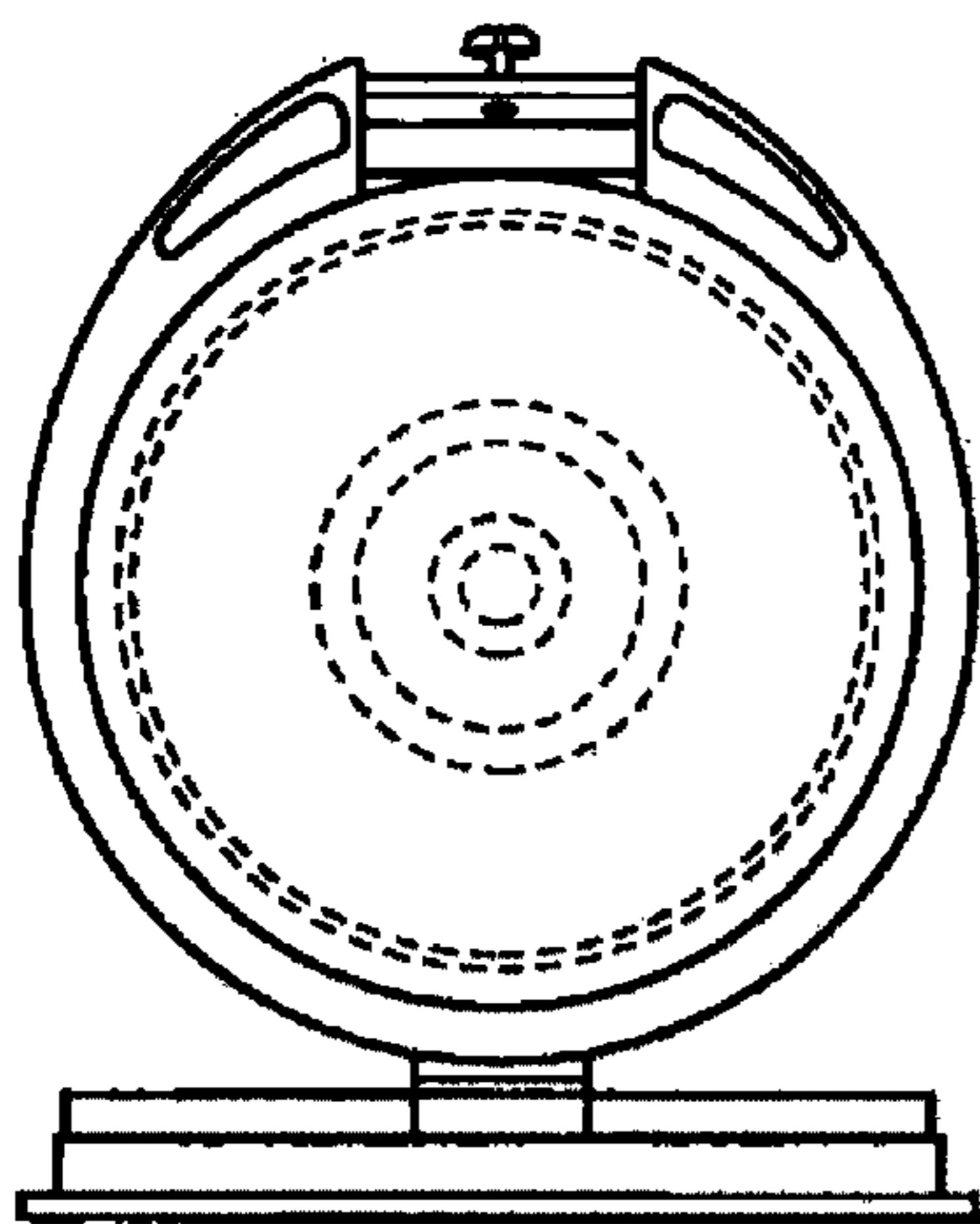


Figure 6

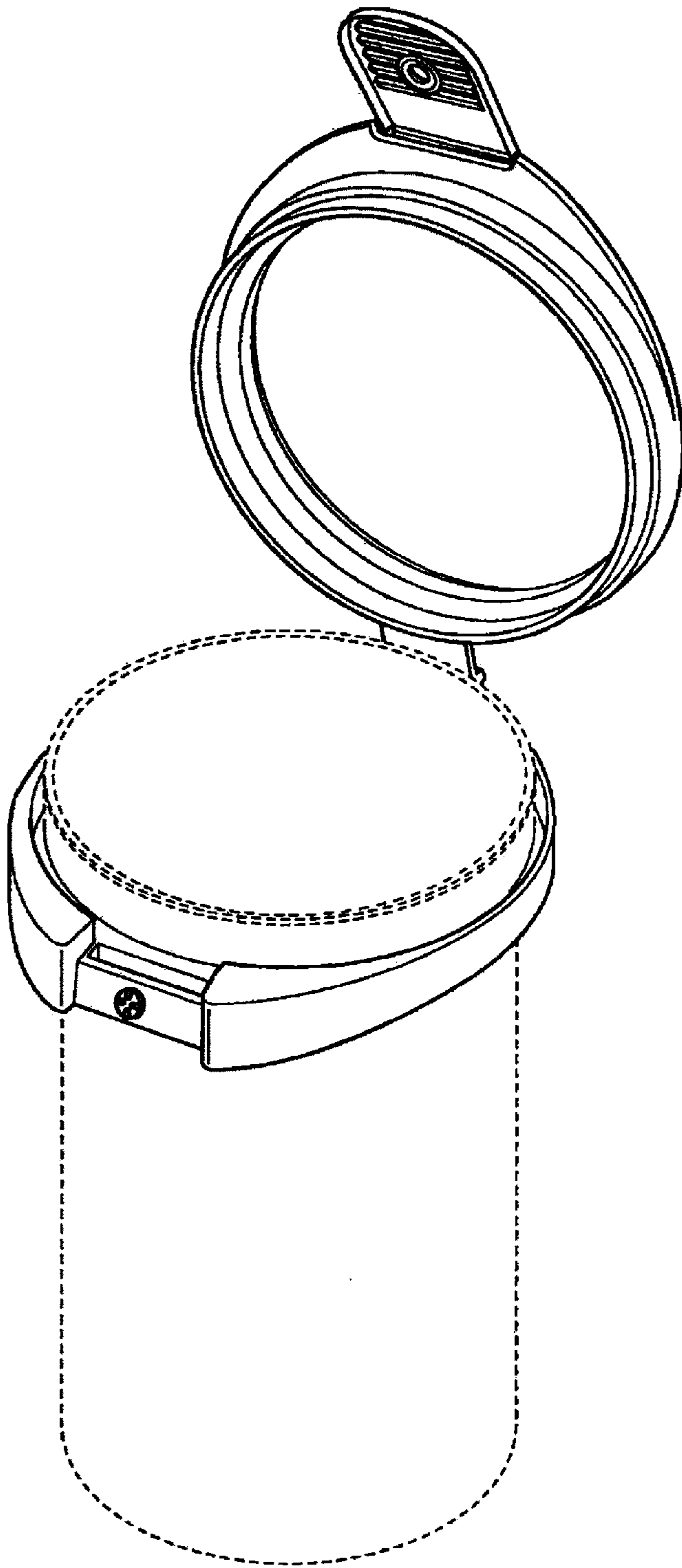


Figure 7



Figure 11

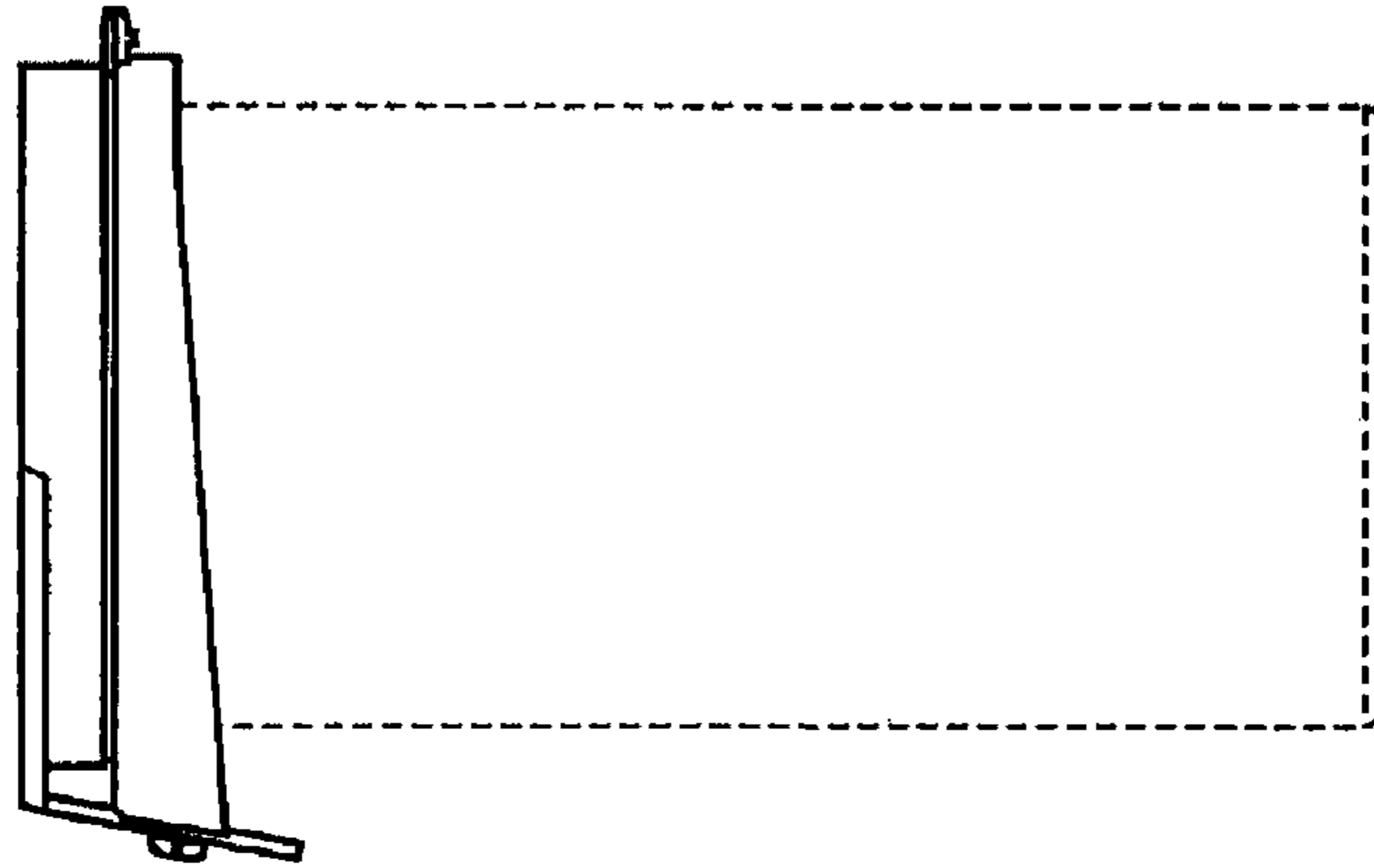


Figure 10

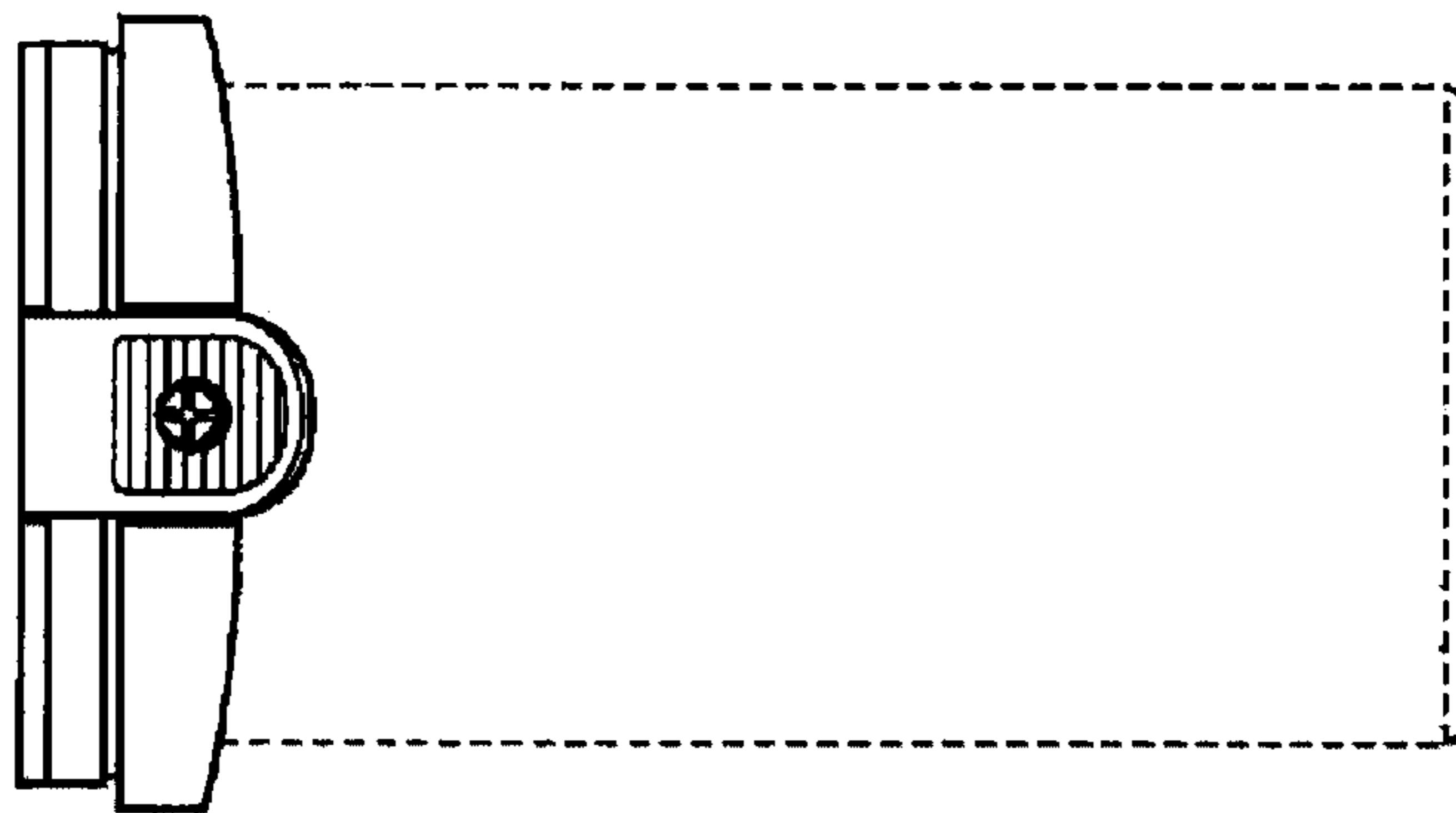


Figure 9

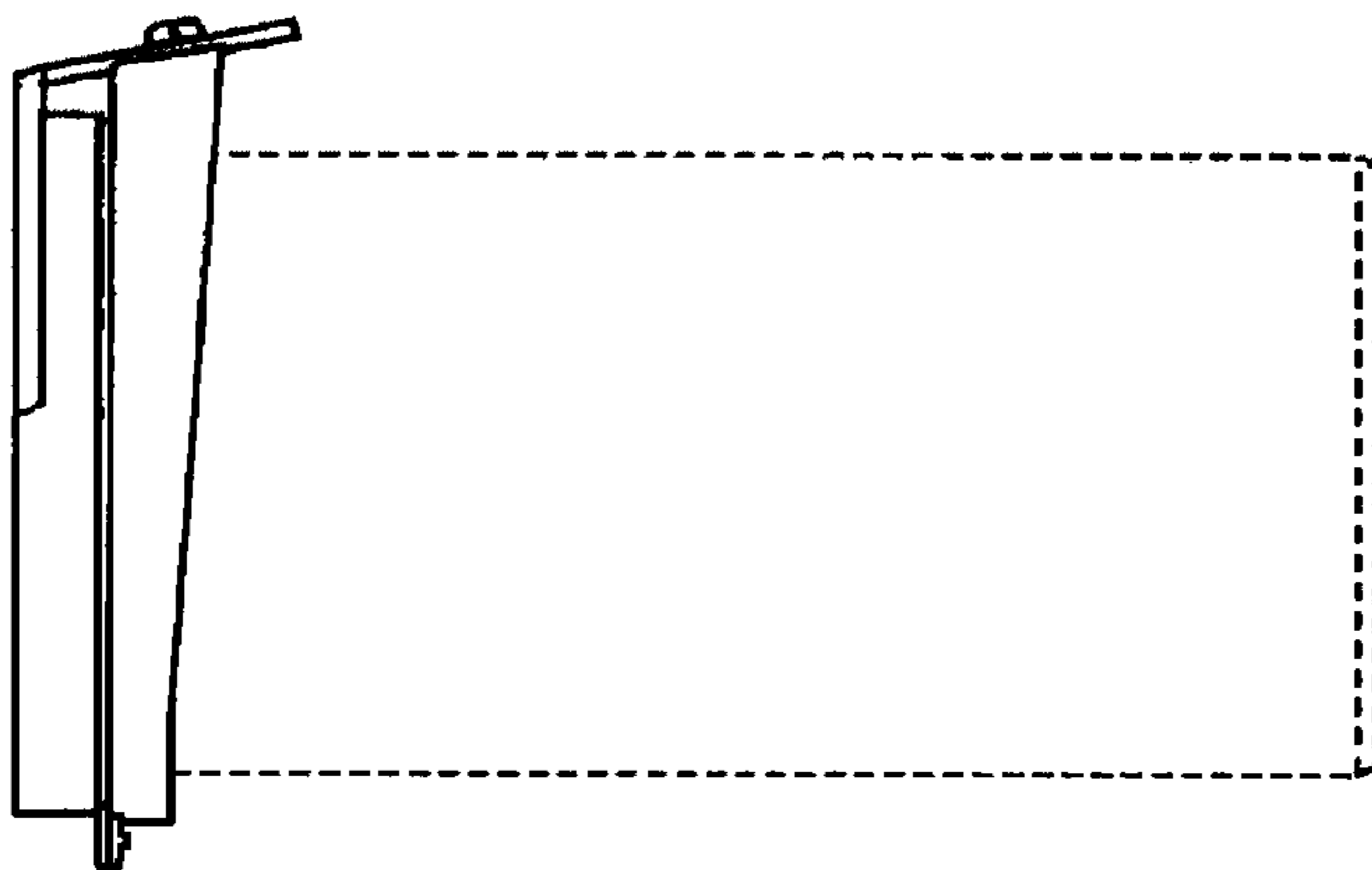


Figure 8

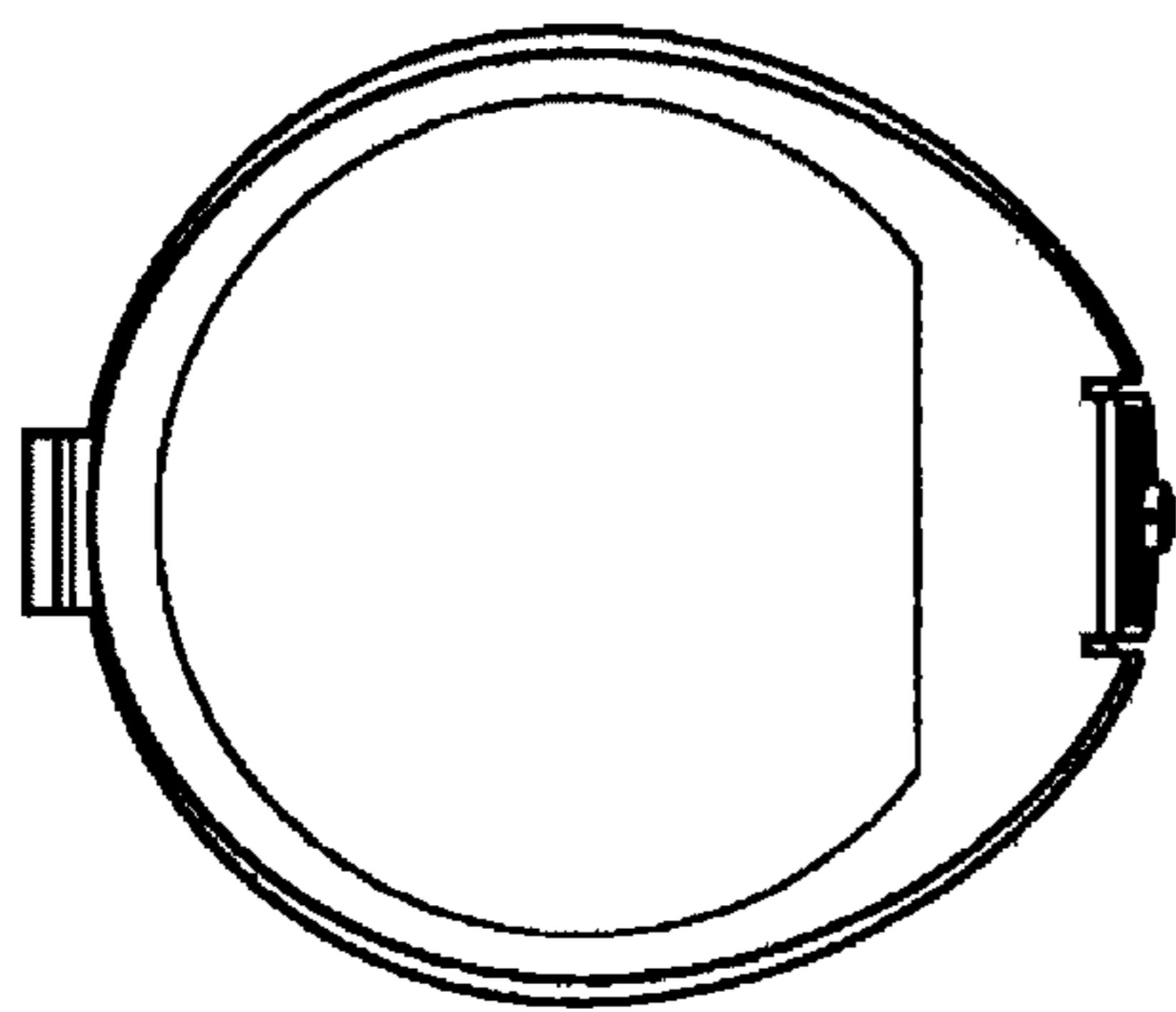


Figure 12

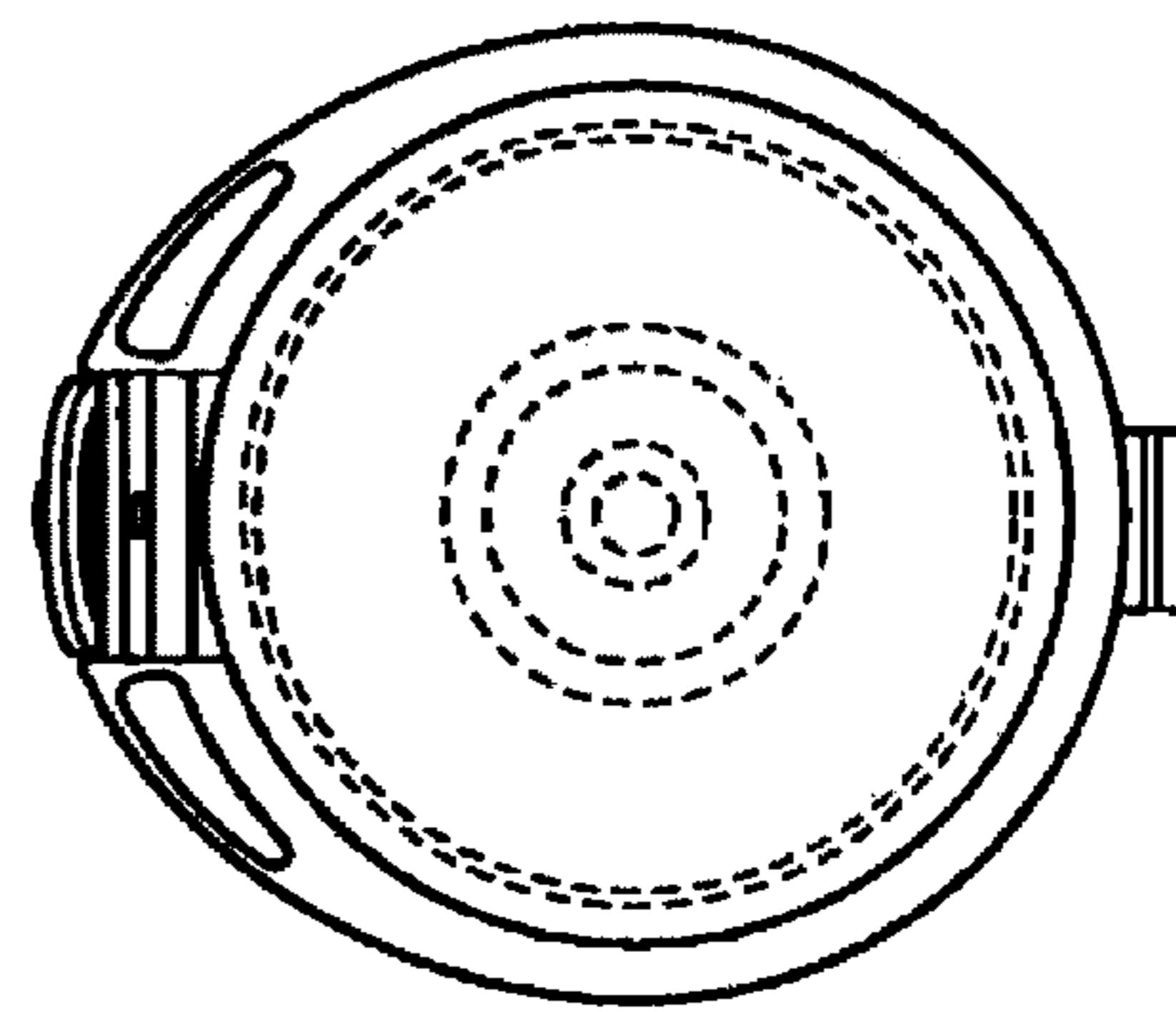


Figure 13

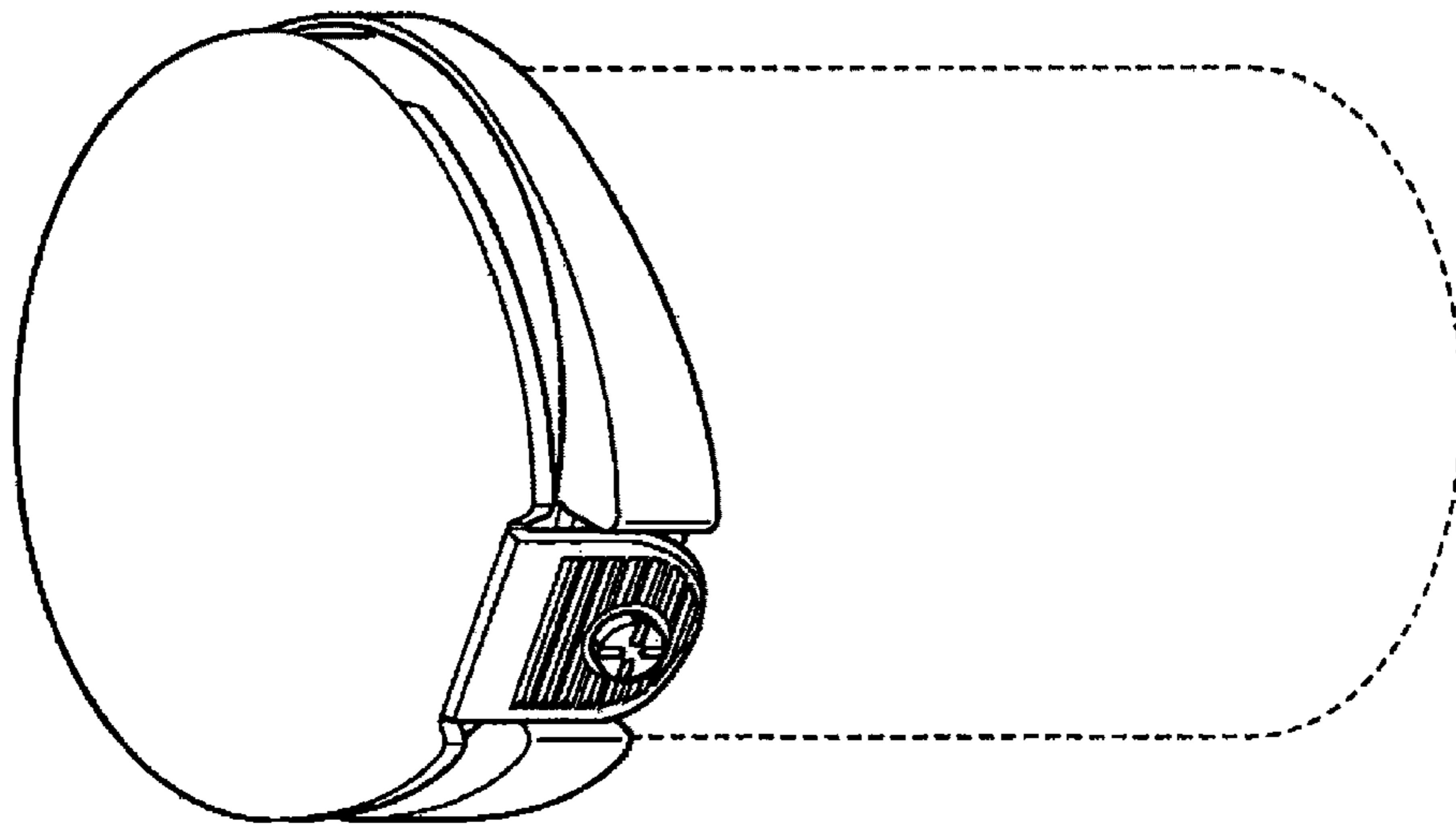


Figure 14

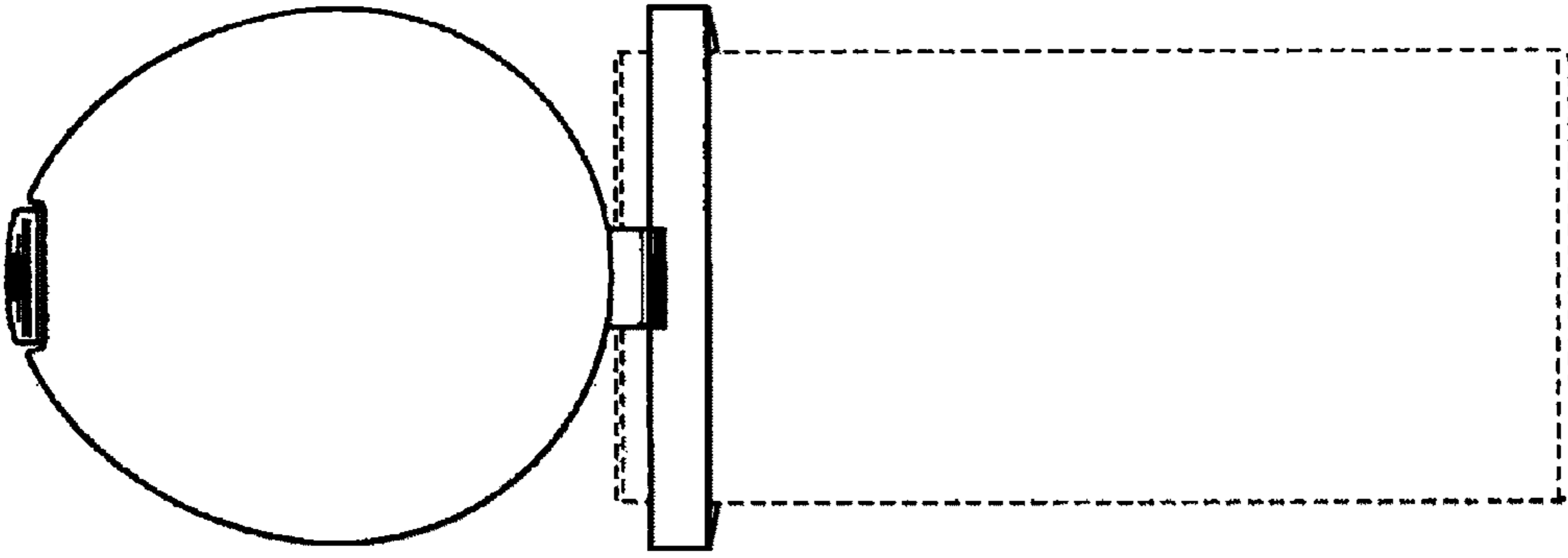


Figure 15

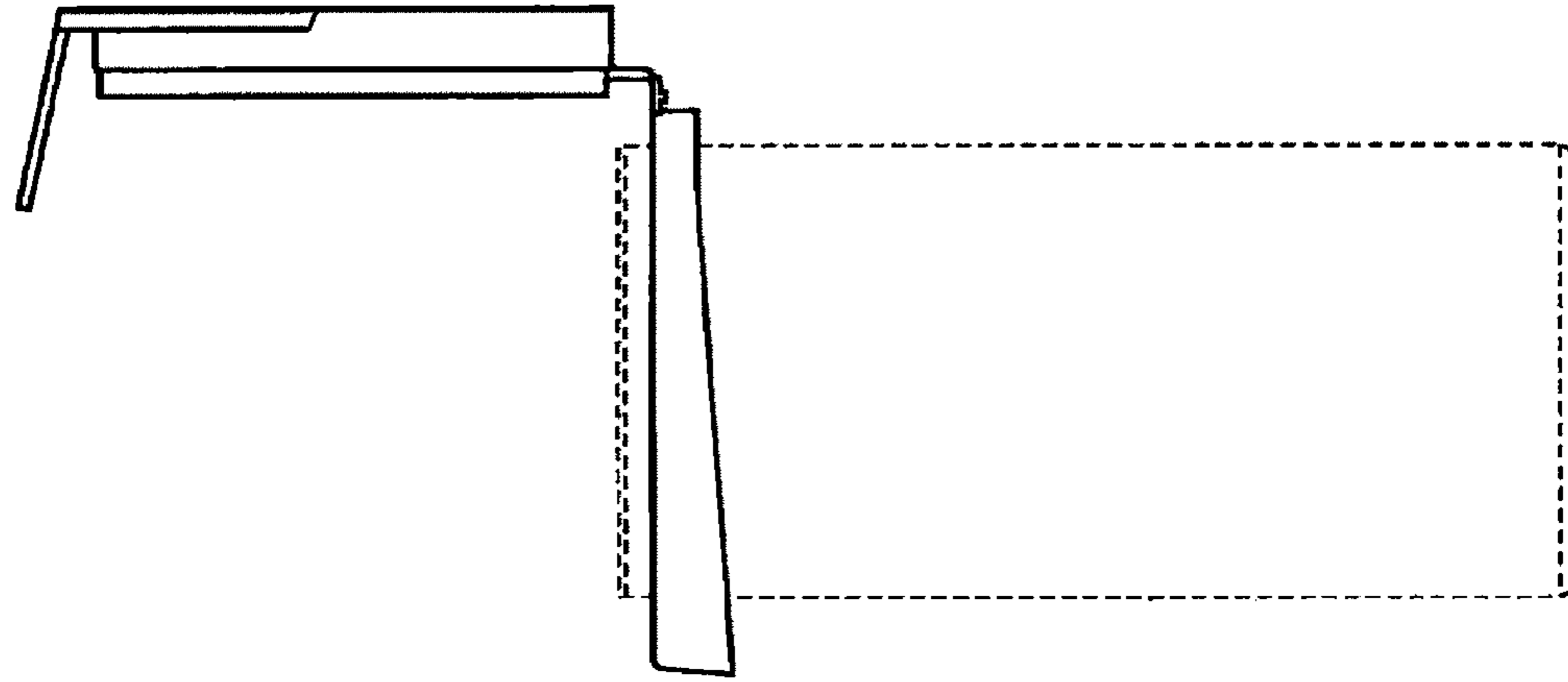


Figure 16

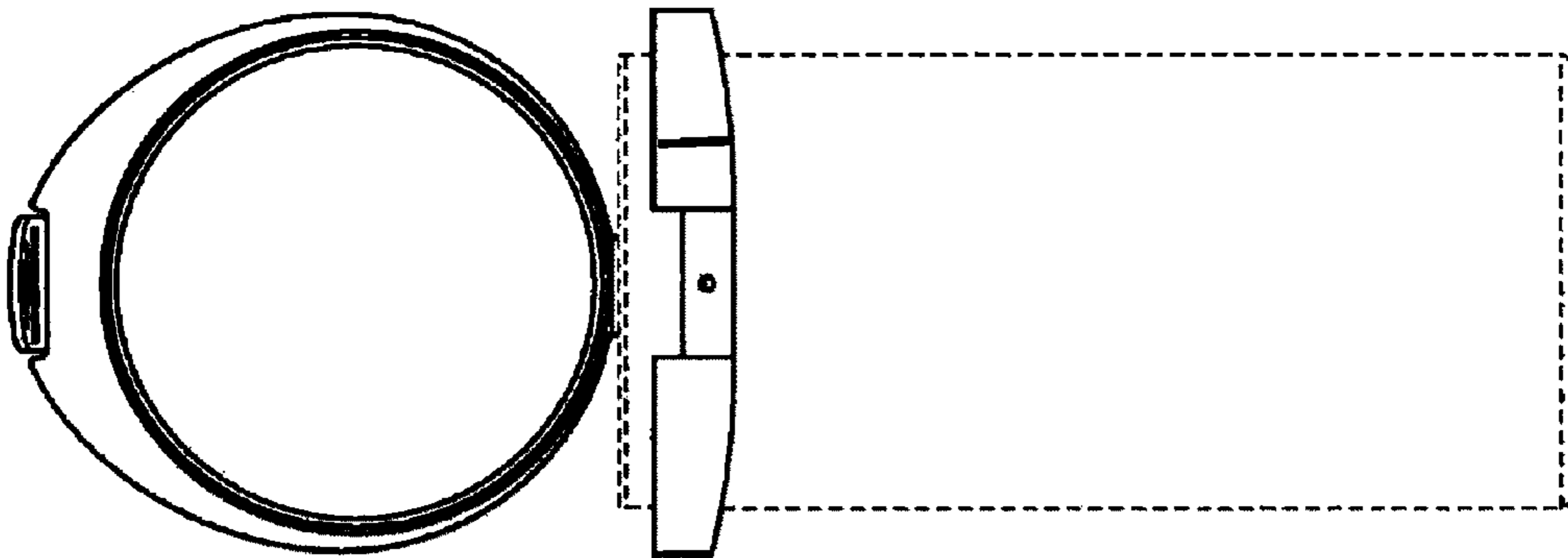


Figure 17

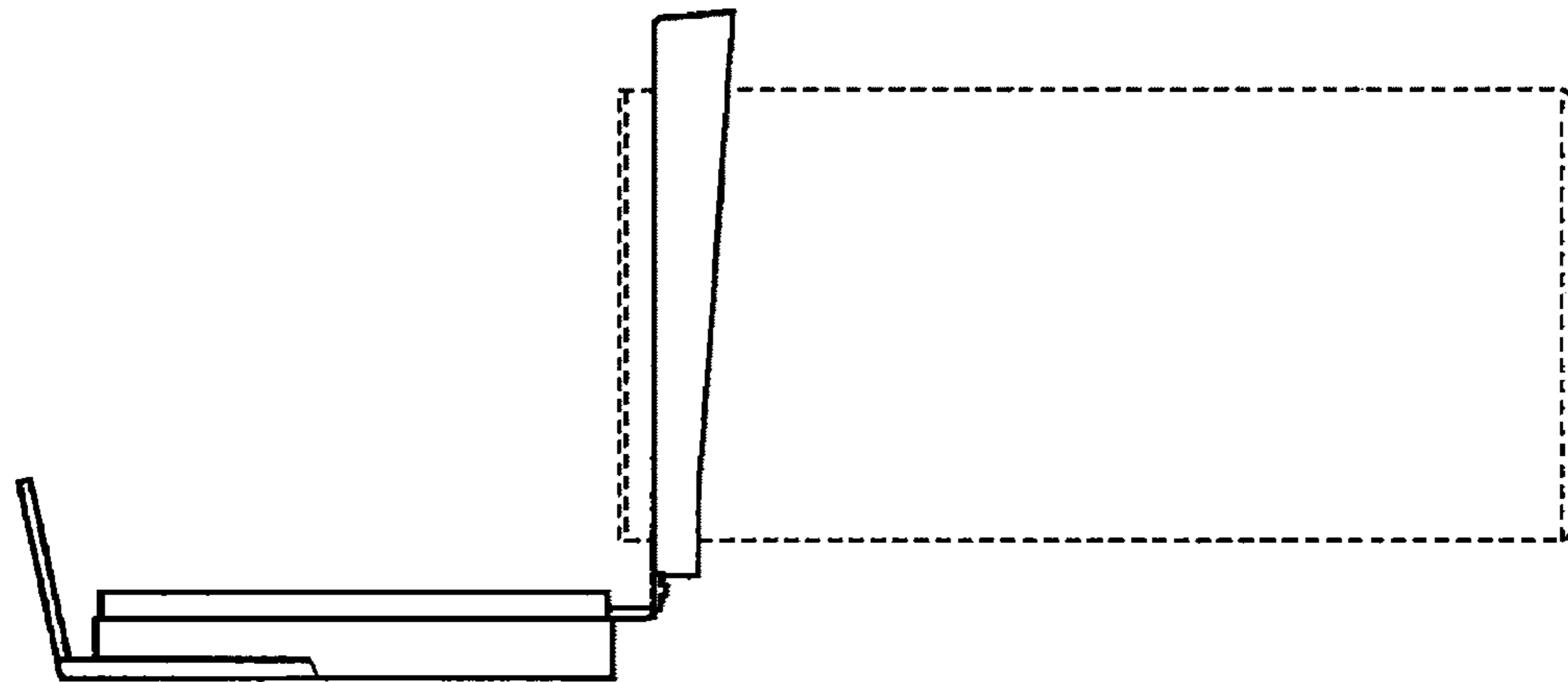


Figure 18

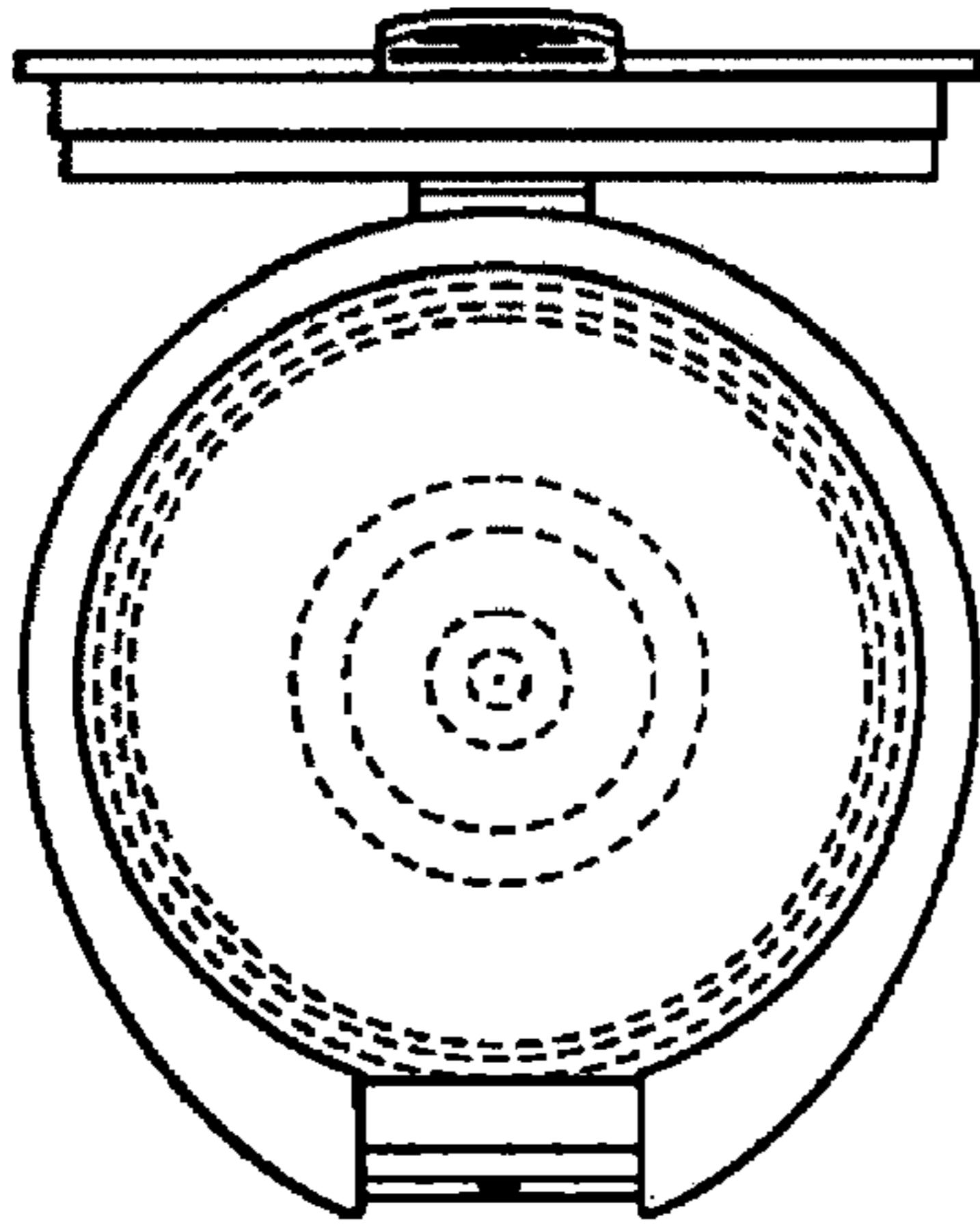


Figure 19

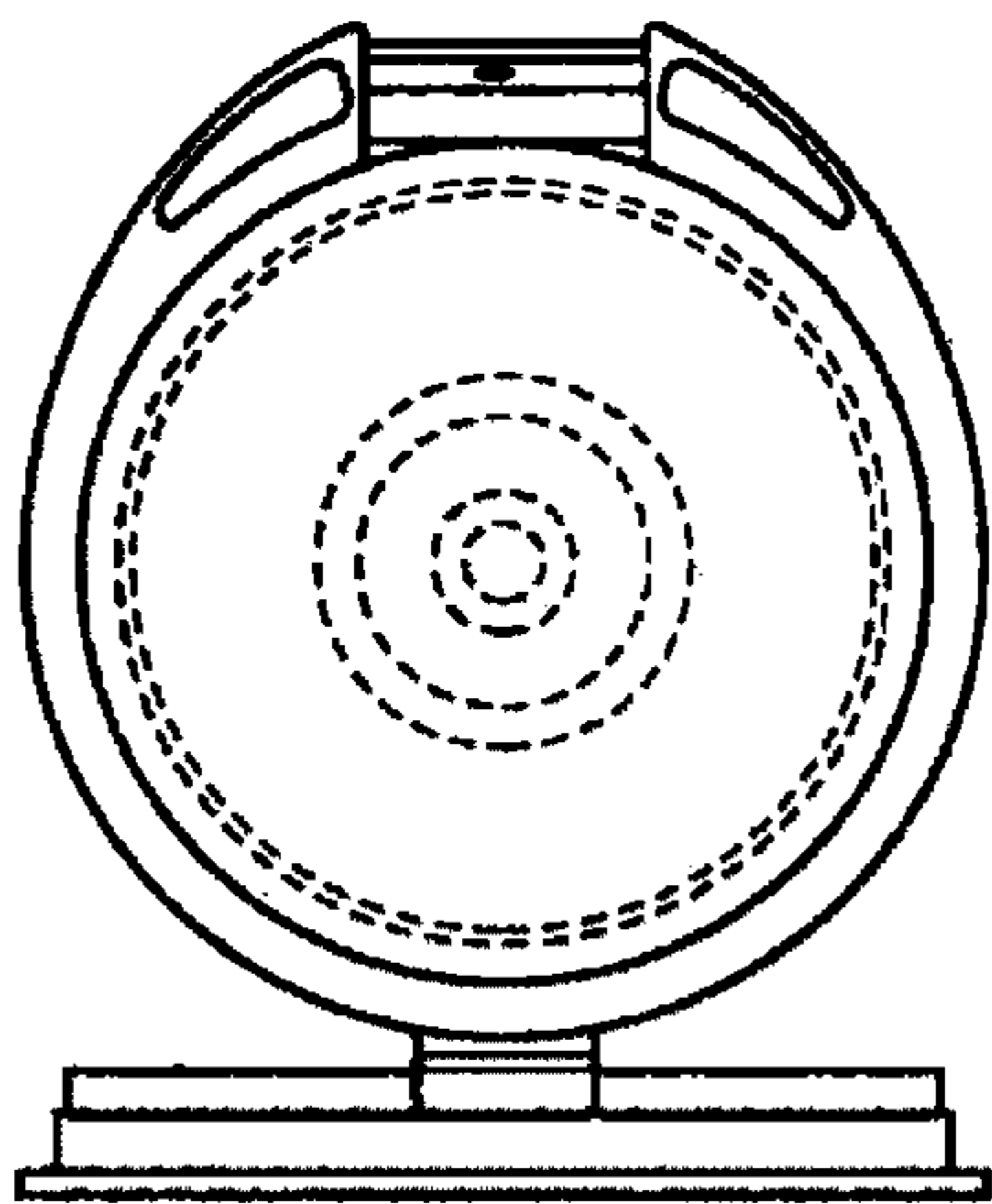


Figure 20

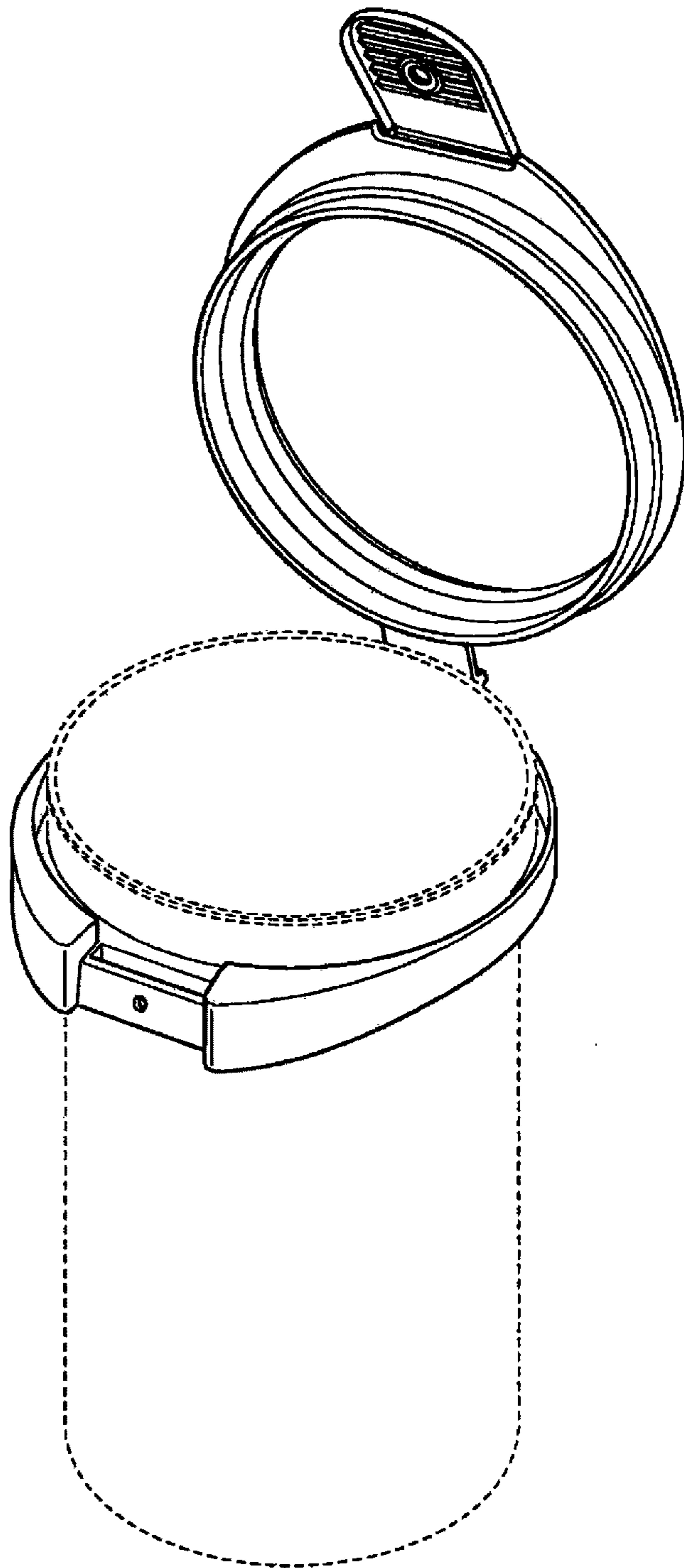


Figure 21

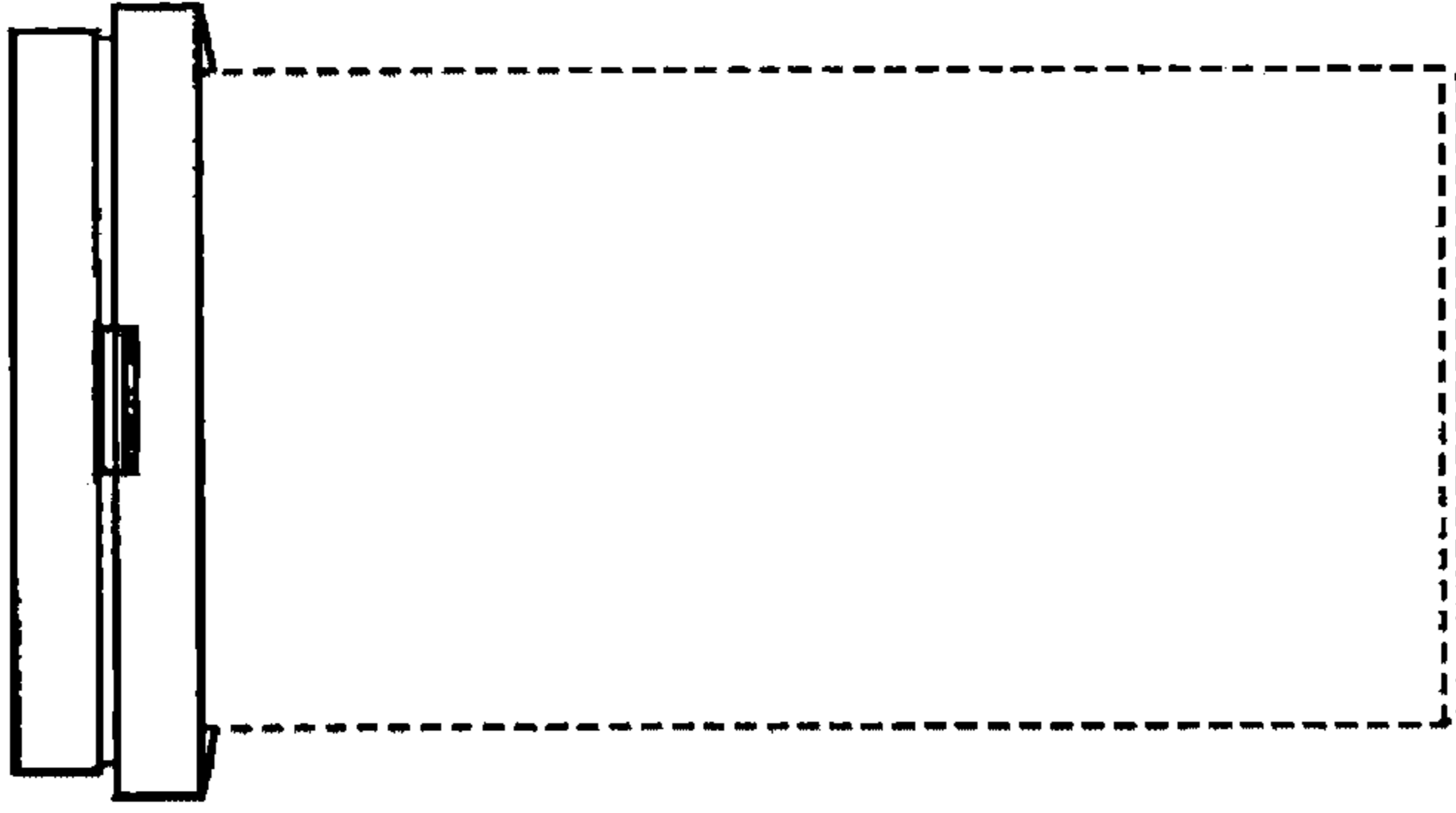


Figure 25

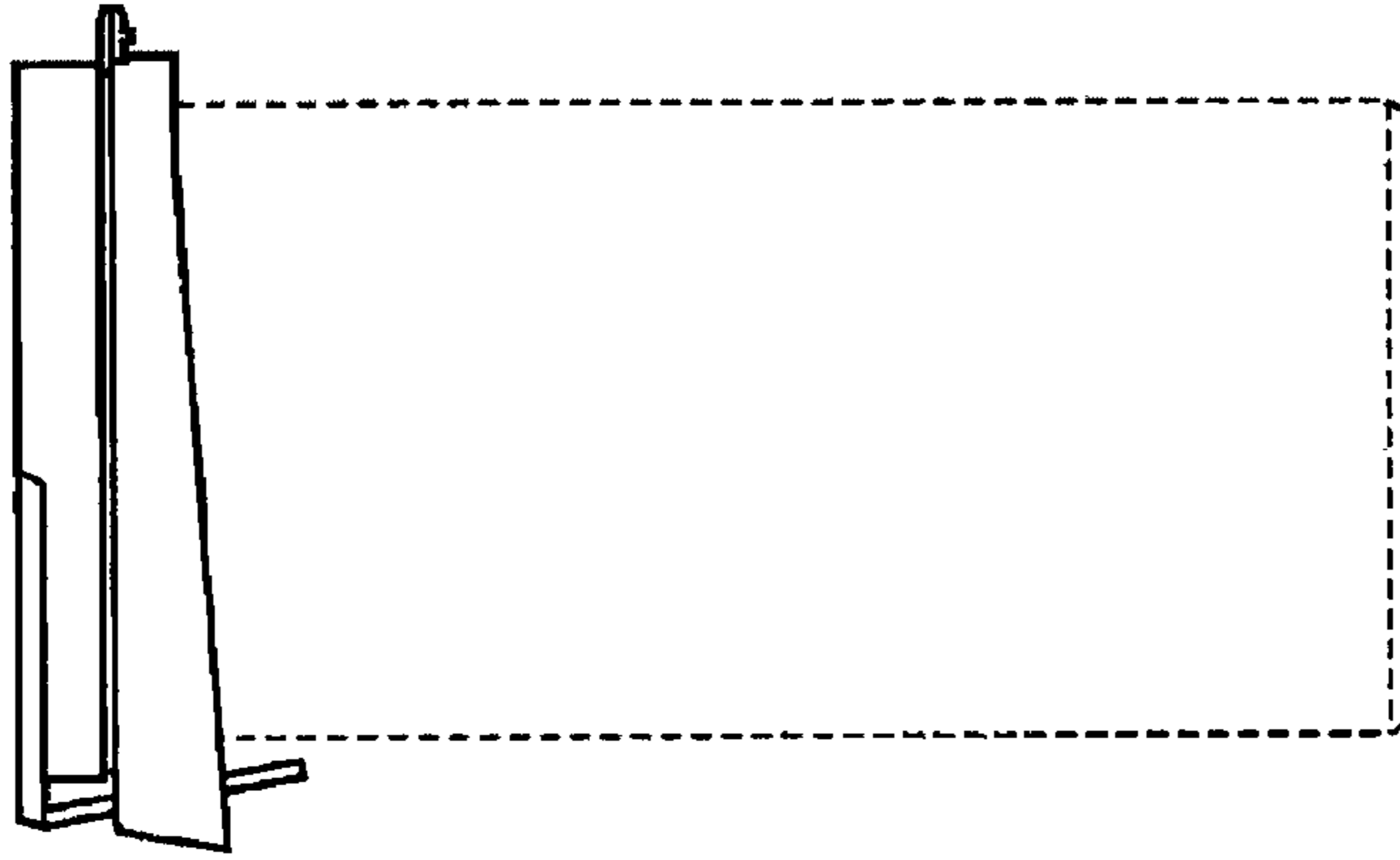


Figure 24

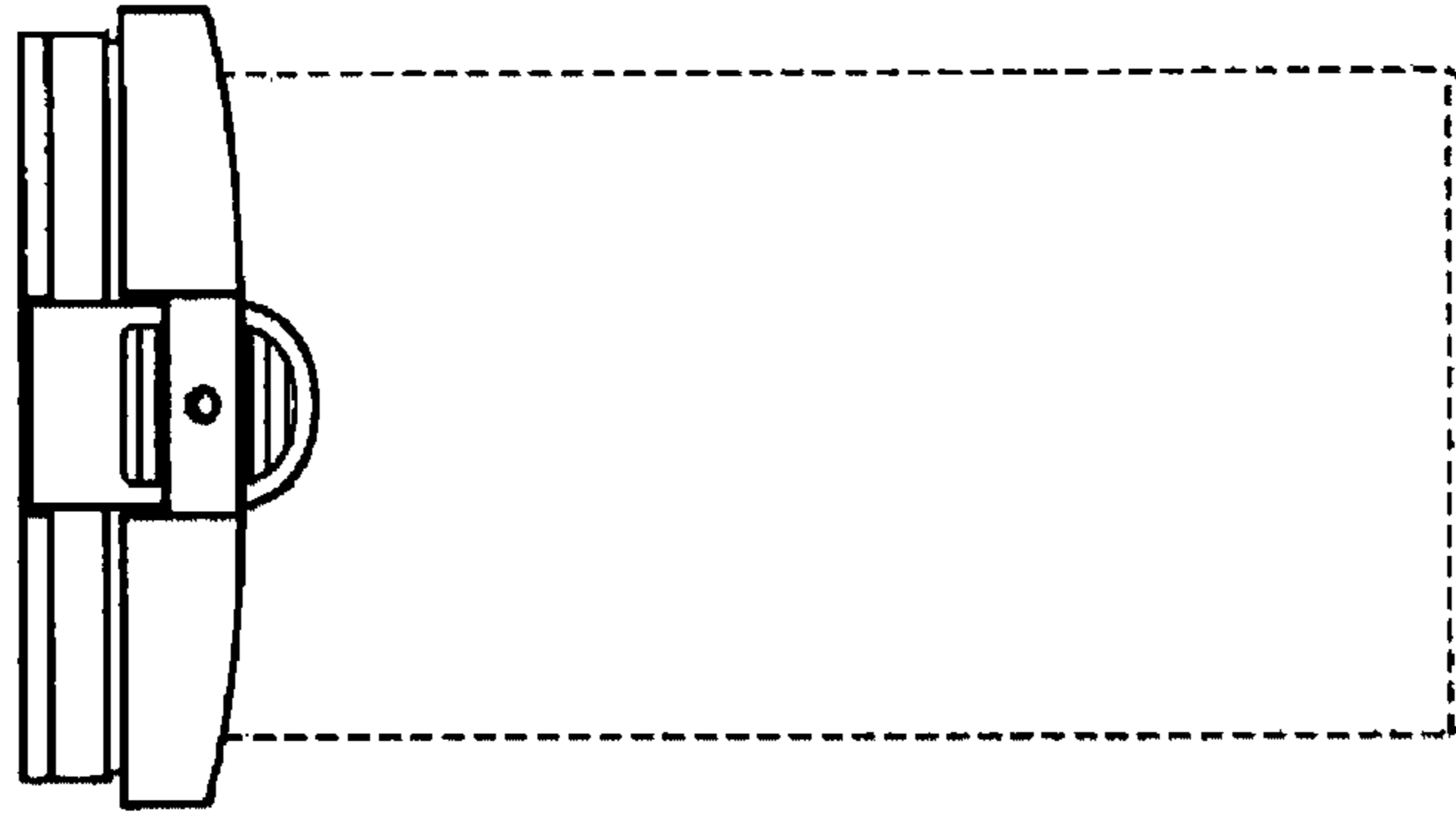


Figure 23

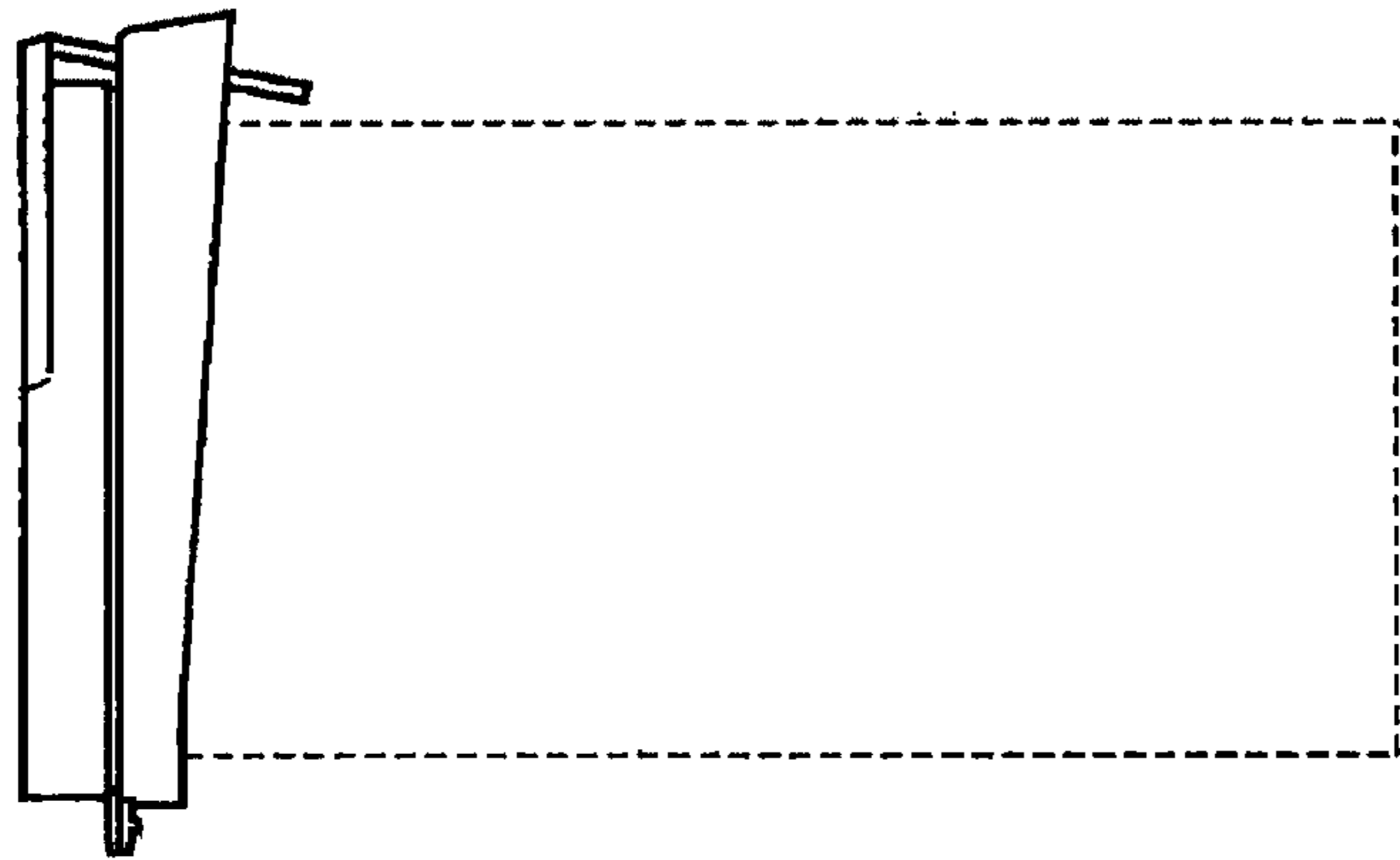


Figure 22

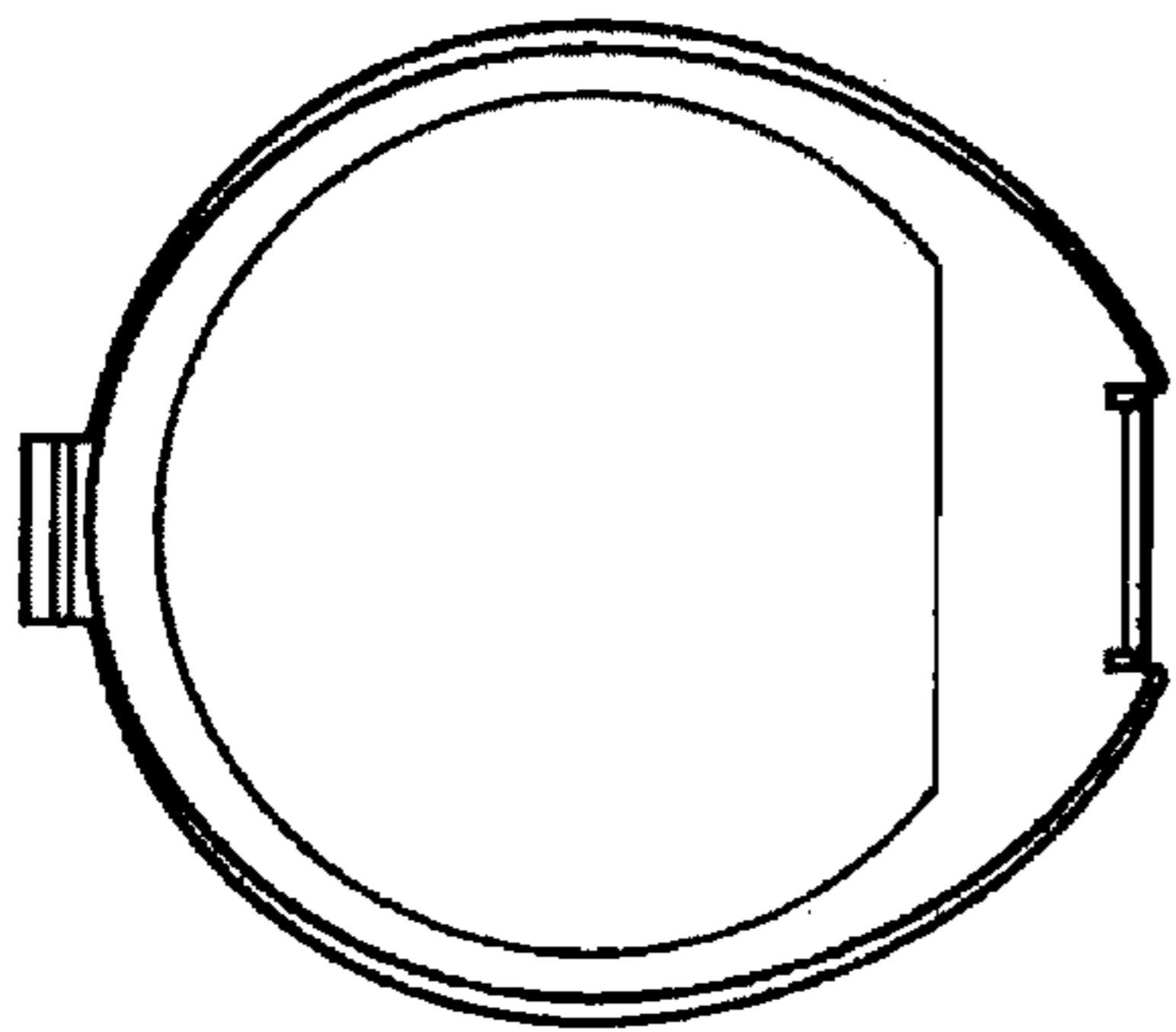


Figure 26

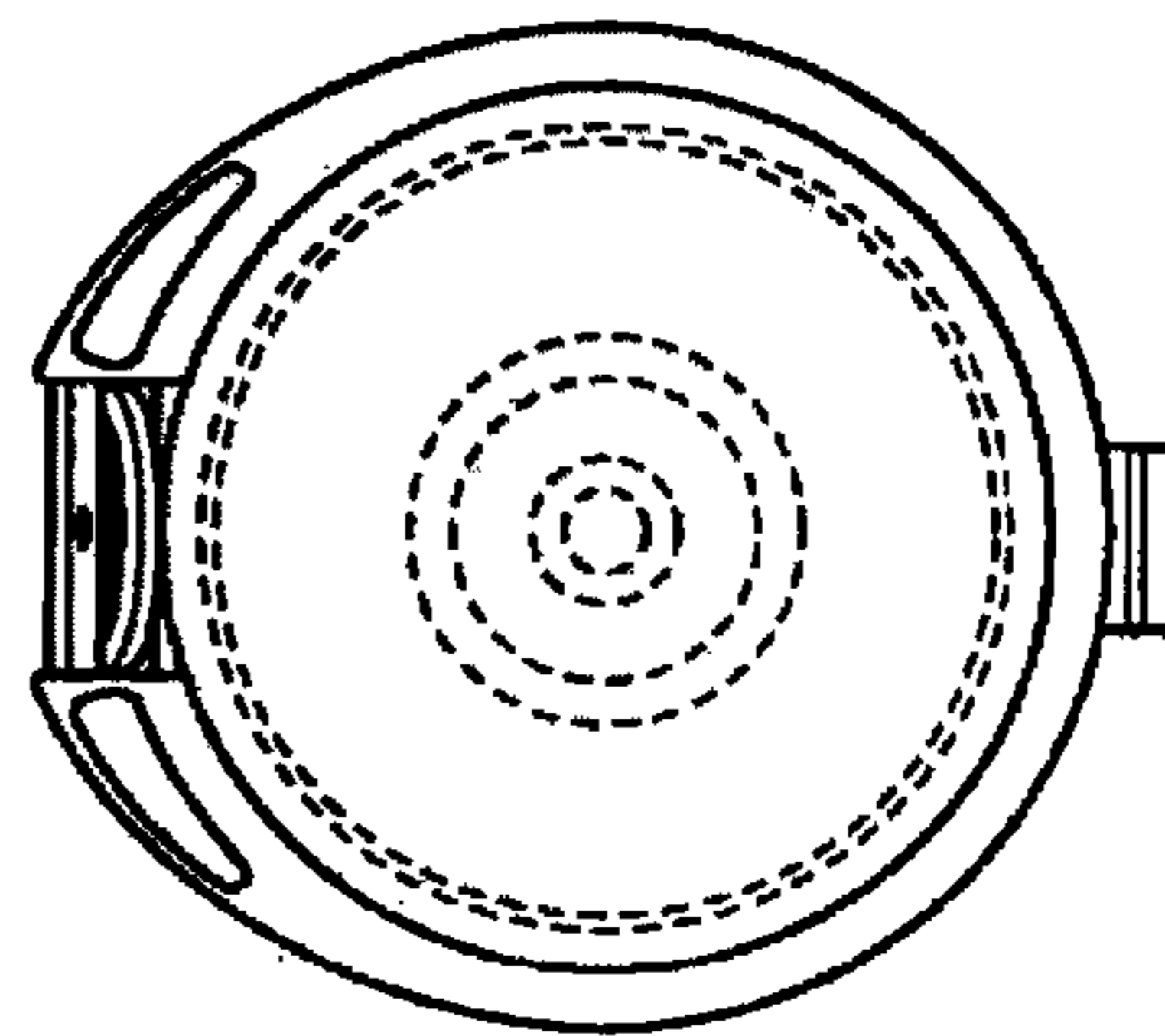


Figure 27

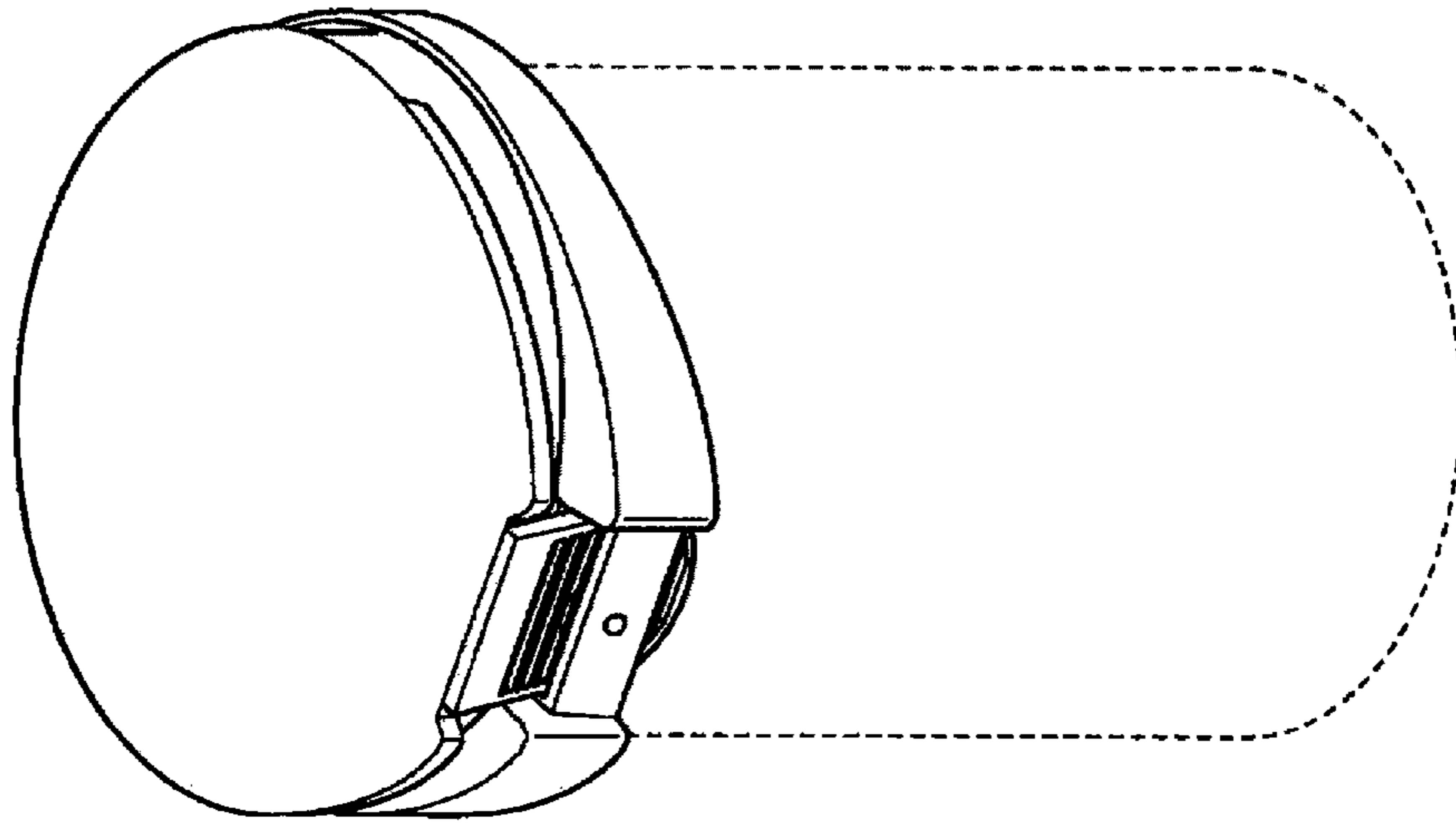


Figure 28