



US00D645220S

(12) **United States Design Patent**
Yang et al.

(10) **Patent No.:** **US D645,220 S**
(45) **Date of Patent:** **** Sep. 13, 2011**

(54) **FILTER CAGE**

(75) Inventors: **Frank Yang**, Rancho Palos Verdes, CA (US); **Tzu-Hao Wei**, Hacienda Heights, CA (US); **Di-Fong Chang**, Torrance, CA (US); **Myk Lum**, Irvine, CA (US); **Adam Wade**, Rancho Santa Margarita, CA (US)

(73) Assignee: **simplehuman, LLC**, Torrance, CA (US)

(**) Term: **14 Years**

(21) Appl. No.: **29/367,199**

(22) Filed: **Aug. 4, 2010**

(51) **LOC (9) Cl.** **09-09**

(52) **U.S. Cl.** **D34/10**

(58) **Field of Classification Search** D34/1, D34/7, 8, 10, 11; 220/87.1, 908, 908.1, 911, 220/909, 371, 372, 367.1; D24/162

See application file for complete search history.

(56) **References Cited**

U.S. PATENT DOCUMENTS

1,223,760	A *	4/1917	Brown	220/87.1
4,956,085	A *	9/1990	Kopf	210/231
5,174,462	A *	12/1992	Hames	220/87.1
5,535,913	A *	7/1996	Asbach et al.	220/495.08
D423,169	S *	4/2000	Apps et al.	D34/10

6,077,485	A *	6/2000	Baker	422/300
D549,918	S *	8/2007	Lonergan	D34/10
7,485,166	B2 *	2/2009	Safuto	55/385.1
7,516,865	B1 *	4/2009	Pierre	220/87.1
2004/0232151	A1 *	11/2004	Bauer	220/371
2006/0081632	A1 *	4/2006	Shieh	220/87.1

* cited by examiner

Primary Examiner — Cynthia Ramirez

(74) *Attorney, Agent, or Firm* — Monument IP Law Group

(57) **CLAIM**

The ornamental design for a filter cage, as shown and described.

DESCRIPTION

FIG. 1 shows a front and perspective view of an embodiment for a filter cage design thereof.

FIG. 2 shows a front view thereof.

FIG. 3 shows a rear view thereof.

FIG. 4 shows a left view thereof.

FIG. 5 shows a right view thereof.

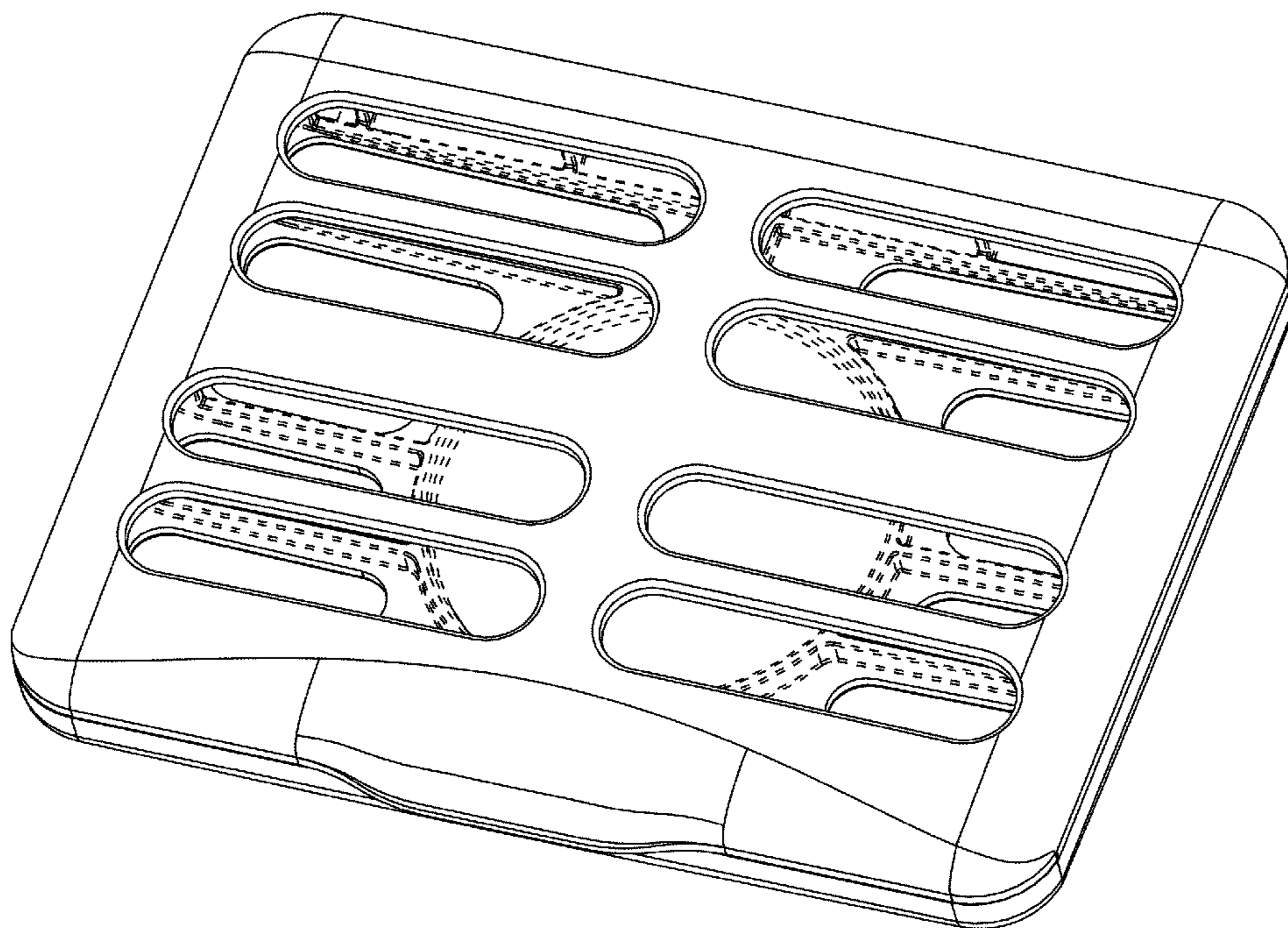
FIG. 6 shows a top view thereof.

FIG. 7 shows a bottom view thereof; and,

FIG. 8 shows a top perspective view of the filter cage in an open position.

The broken lines in the drawings are included for the purpose of illustrating environment and form no part of the claimed design.

1 Claim, 8 Drawing Sheets



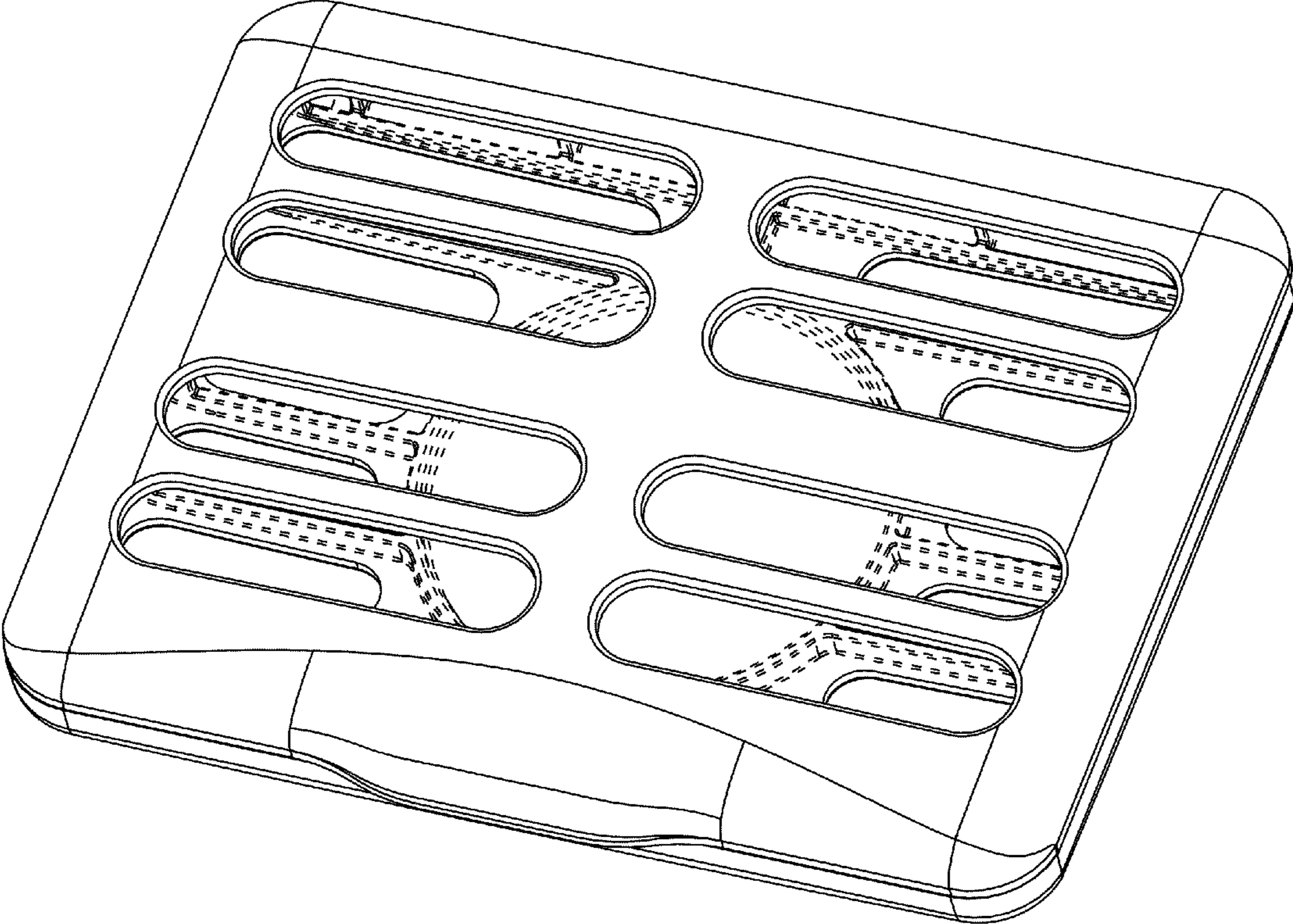


FIG. 1

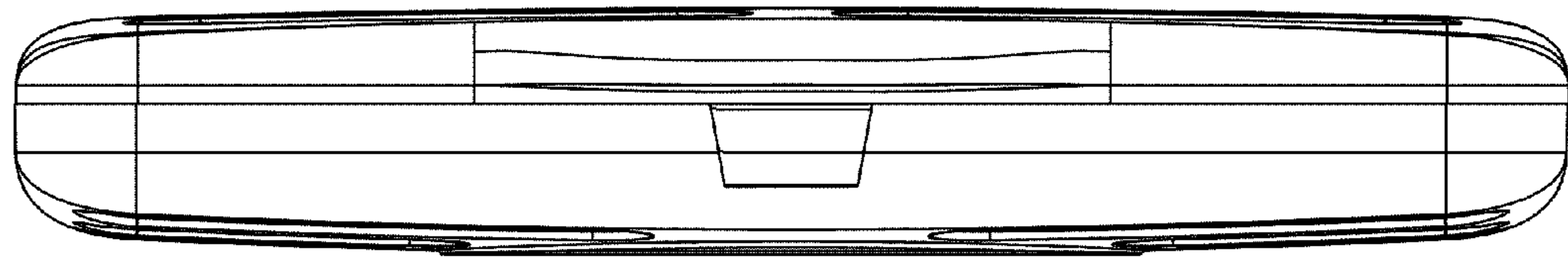


FIG. 2

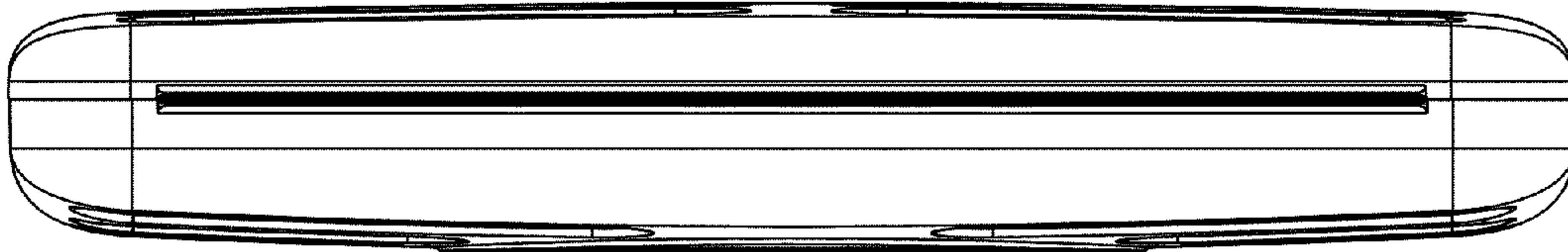


FIG. 3

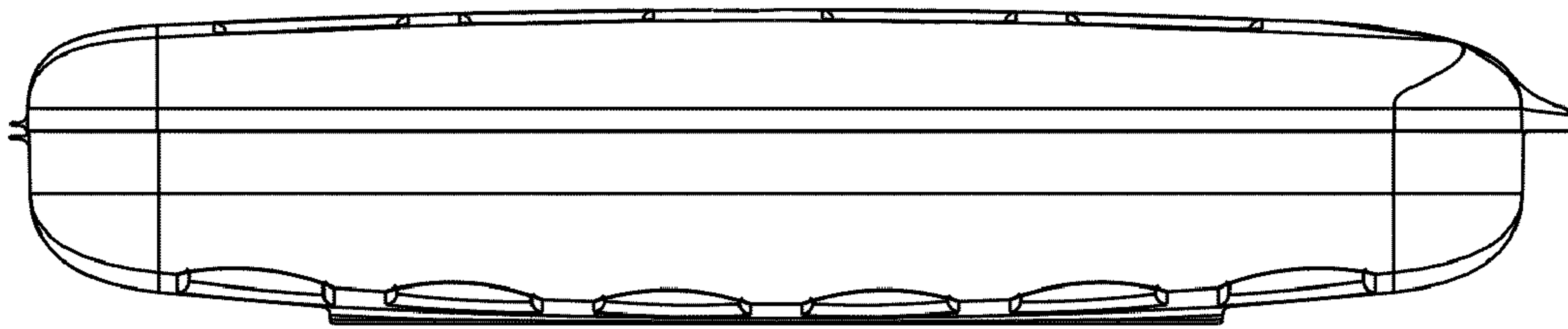


FIG. 4

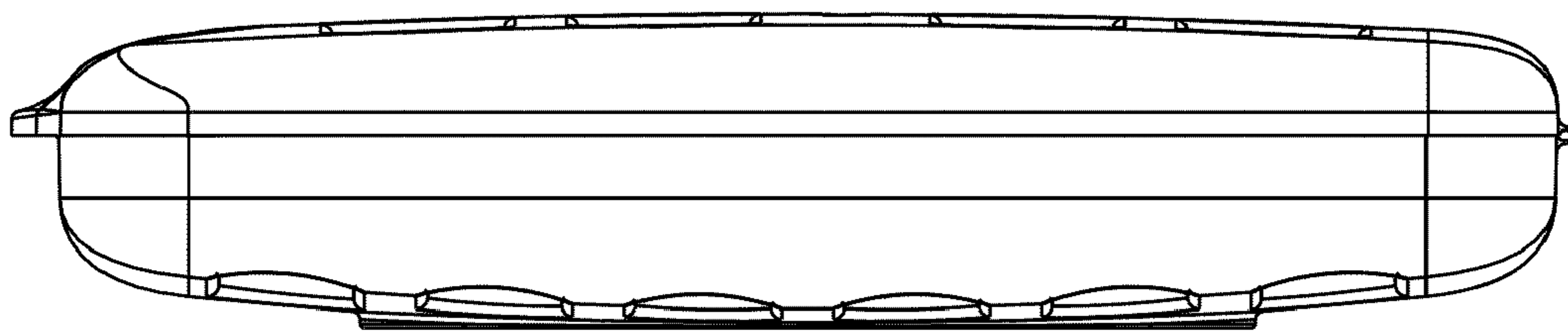


FIG. 5

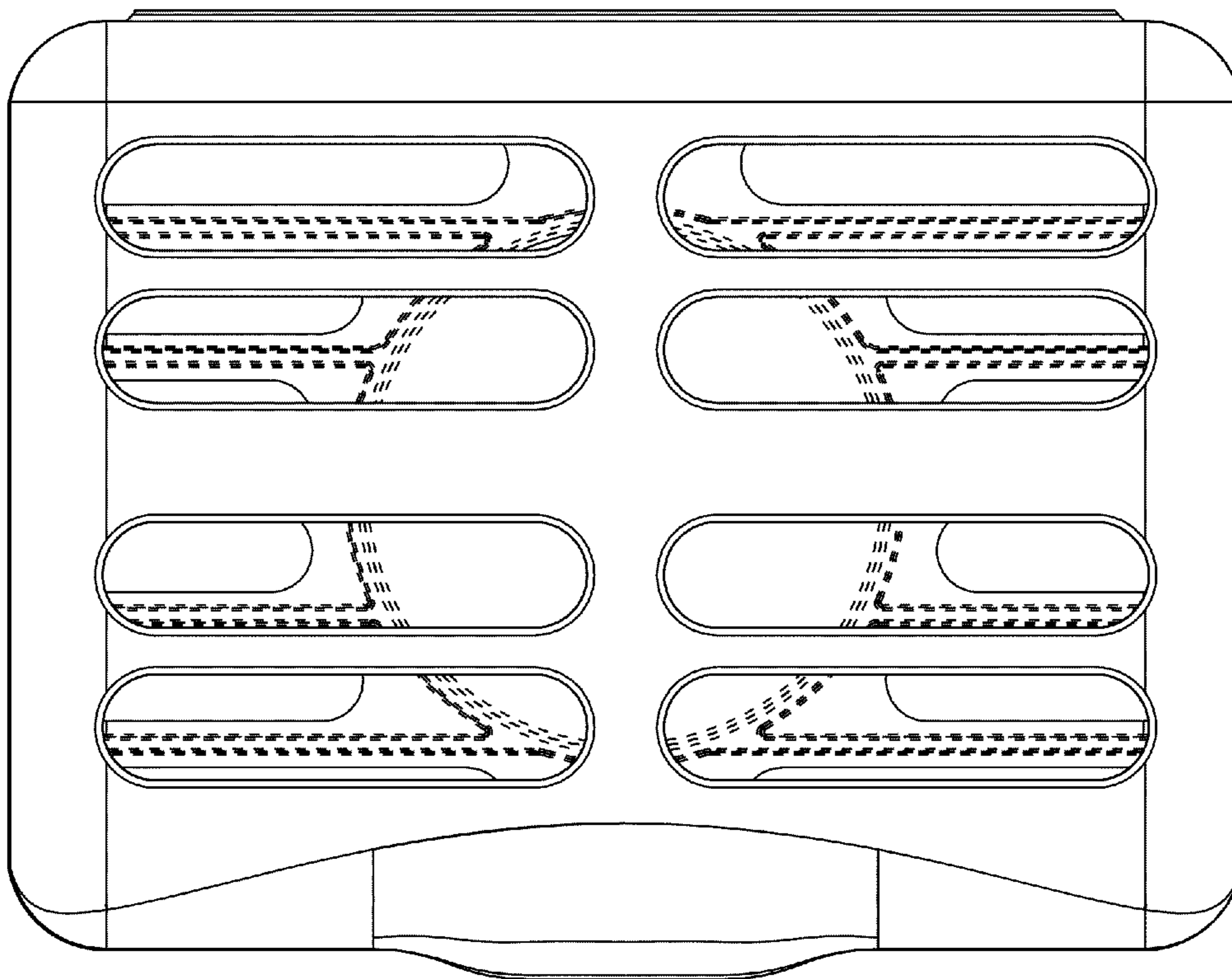


FIG. 6

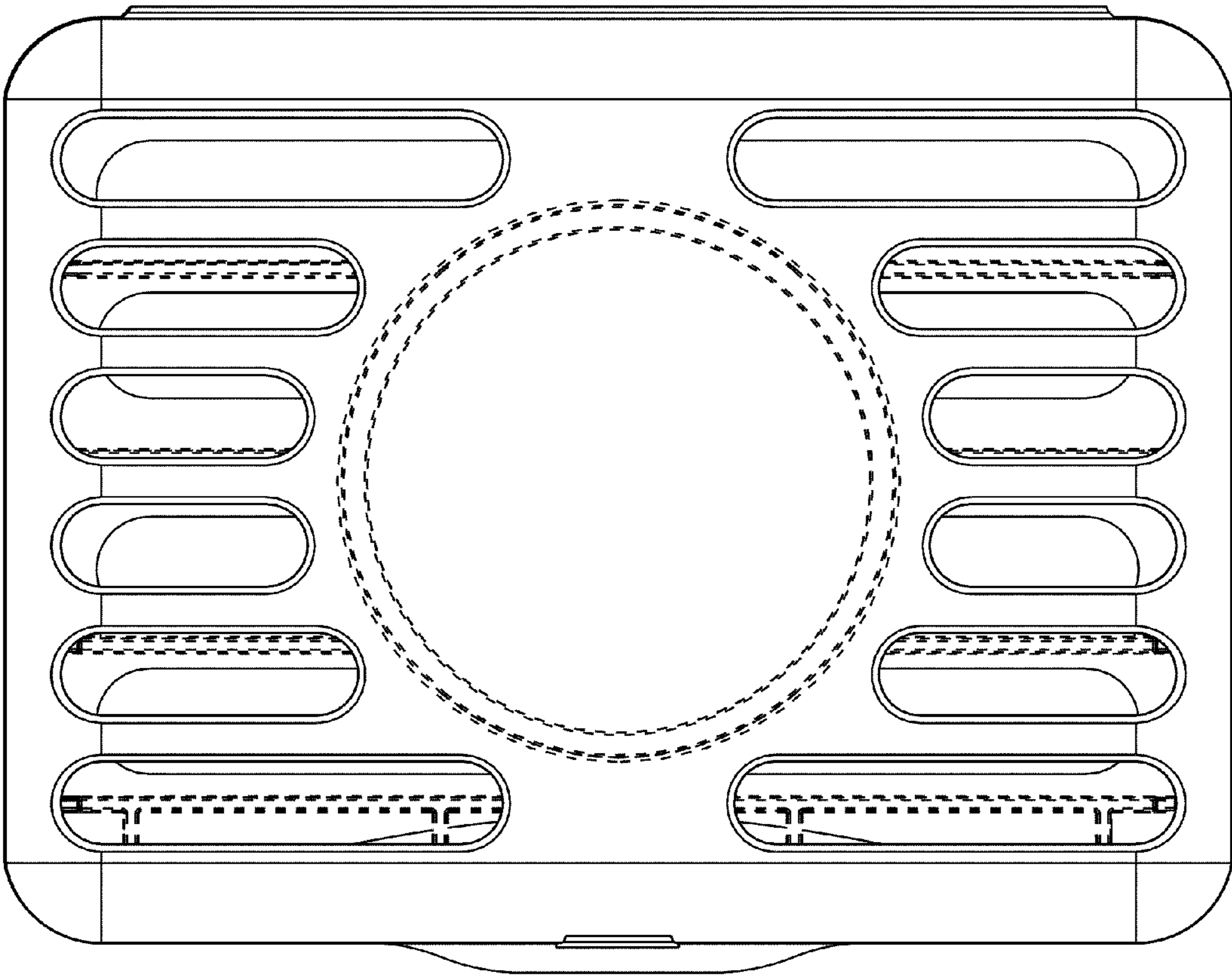


FIG. 7

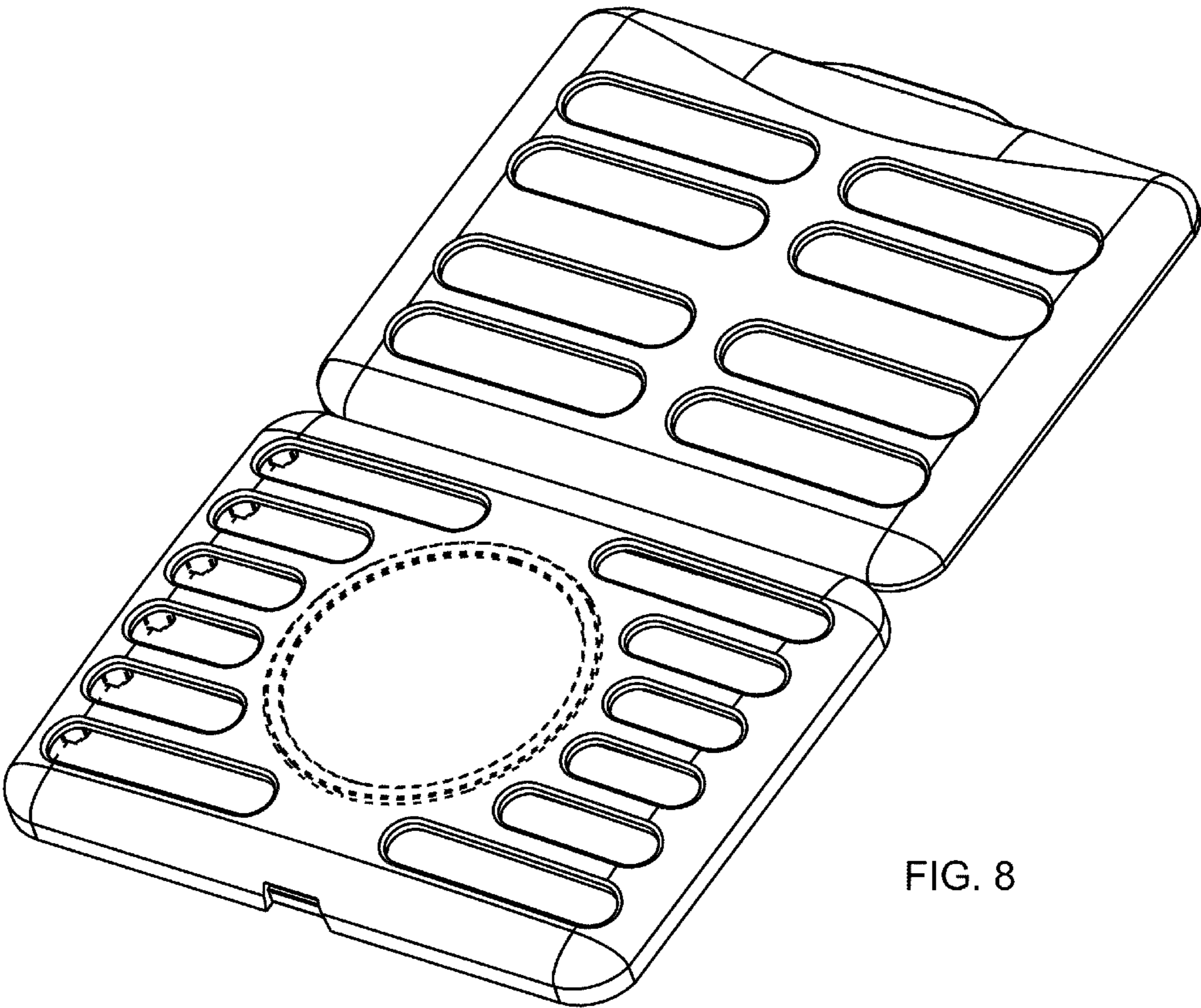


FIG. 8