



US00D645219S

(12) **United States Design Patent**  
**Baldwin**

(10) **Patent No.:** **US D645,219 S**

(45) **Date of Patent:** **\*\* Sep. 13, 2011**

(54) **APPLIANCE RACK HANDLE**

(75) Inventor: **Mark W. Baldwin**, Saint Joseph, MI  
(US)

(73) Assignee: **Whirlpool Corporation**, Benton Harbor,  
MI (US)

(\*\*) Term: **14 Years**

(21) Appl. No.: **29/359,093**

(22) Filed: **Apr. 6, 2010**

(51) **LOC (9) Cl.** ..... **07-05**

(52) **U.S. Cl.** ..... **D32/55**

(58) **Field of Classification Search** ..... D32/55,  
D32/2, 3, 25, 56, 58, 59; 211/41.8, 74, 181.1,  
211/90.03; D3/304, 307, 313, 314, 318,  
D3/328; 220/752, 755, 759, 488, 516, 676;  
D9/753, 755; 16/413, 114.1  
See application file for complete search history.

(56) **References Cited**

**U.S. PATENT DOCUMENTS**

3,774,263	A *	11/1973	Day et al. ....	220/759
D247,647	S *	3/1978	Huber .....	D3/313
4,922,576	A *	5/1990	Weidner et al. ....	16/413
D327,382	S *	6/1992	Cabler .....	D32/58
D375,201	S *	11/1996	Karr et al. ....	D3/318
D423,220	S *	4/2000	McDade .....	D3/318
D423,348	S *	4/2000	Le Roux .....	D3/328
D451,054	S *	11/2001	Thom et al. ....	D3/307
D461,312	S *	8/2002	Proot et al. ....	D3/328
D462,524	S *	9/2002	Berke et al. ....	D3/328
D483,946	S *	12/2003	Koefeldt .....	D3/304
D486,647	S *	2/2004	Nordstrom et al. ....	D3/318
D488,603	S *	4/2004	Bardenhagen-Shuster ....	D32/58

D489,181	S *	5/2004	Moon .....	D3/318
6,786,339	B2 *	9/2004	Deiss et al. ....	211/41.8
D518,615	S *	4/2006	Yang et al. ....	D32/55
D570,601	S *	6/2008	Drew et al. ....	D3/318
D599,554	S *	9/2009	Gonzalez .....	D3/318
7,775,378	B2 *	8/2010	Tynes et al. ....	211/41.8

\* cited by examiner

*Primary Examiner* — David Muller

(74) *Attorney, Agent, or Firm* — Tara M. Hartman; Barnes & Thornburg, LLP

(57) **CLAIM**

I claim the ornamental design for an appliance rack handle, as shown and described.

**DESCRIPTION**

Cross-reference is made to co-pending U.S. Design patent application Ser. No. 29/359,096 entitled "Appliance Rack Handle with Badge," which was filed on Apr. 6, 2010.

FIG. 1 is a front perspective view of one embodiment of the design of the appliance rack handle;

FIG. 2 is a front elevational view of the appliance rack handle of FIG. 1;

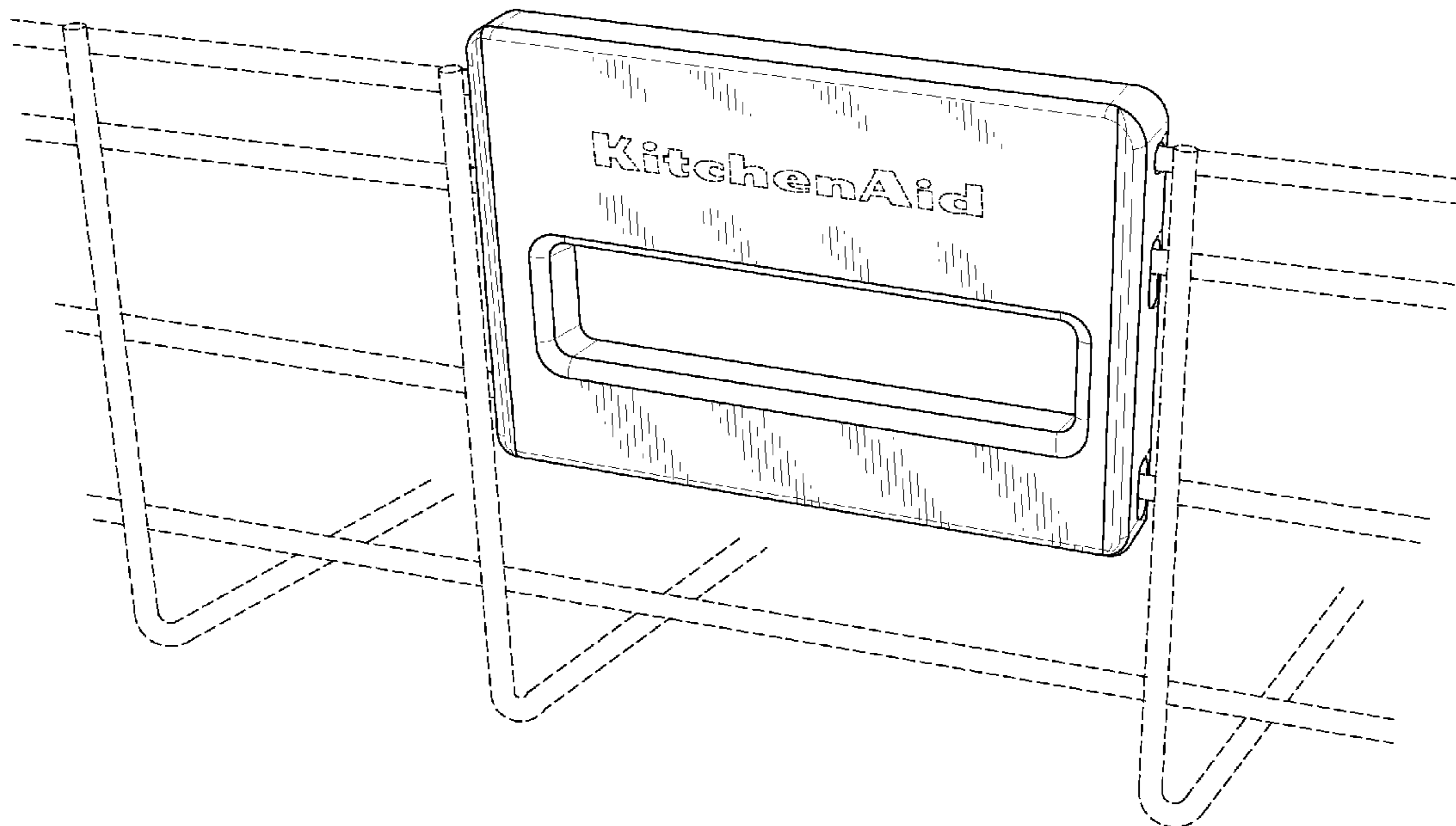
FIG. 3 is a rear elevational view of the appliance rack handle of FIG. 1;

FIG. 4 is a first side elevational view of the appliance rack handle of FIG. 1, with the second side elevational view being a mirror image of FIG. 4; and,

FIG. 5 is a top plan view of the of the appliance rack handle of FIG. 1, with the bottom plan view being a minor image of FIG. 5.

The features shown in broken lines depict environmental subject matter only and form no part of the claimed design.

**1 Claim, 4 Drawing Sheets**



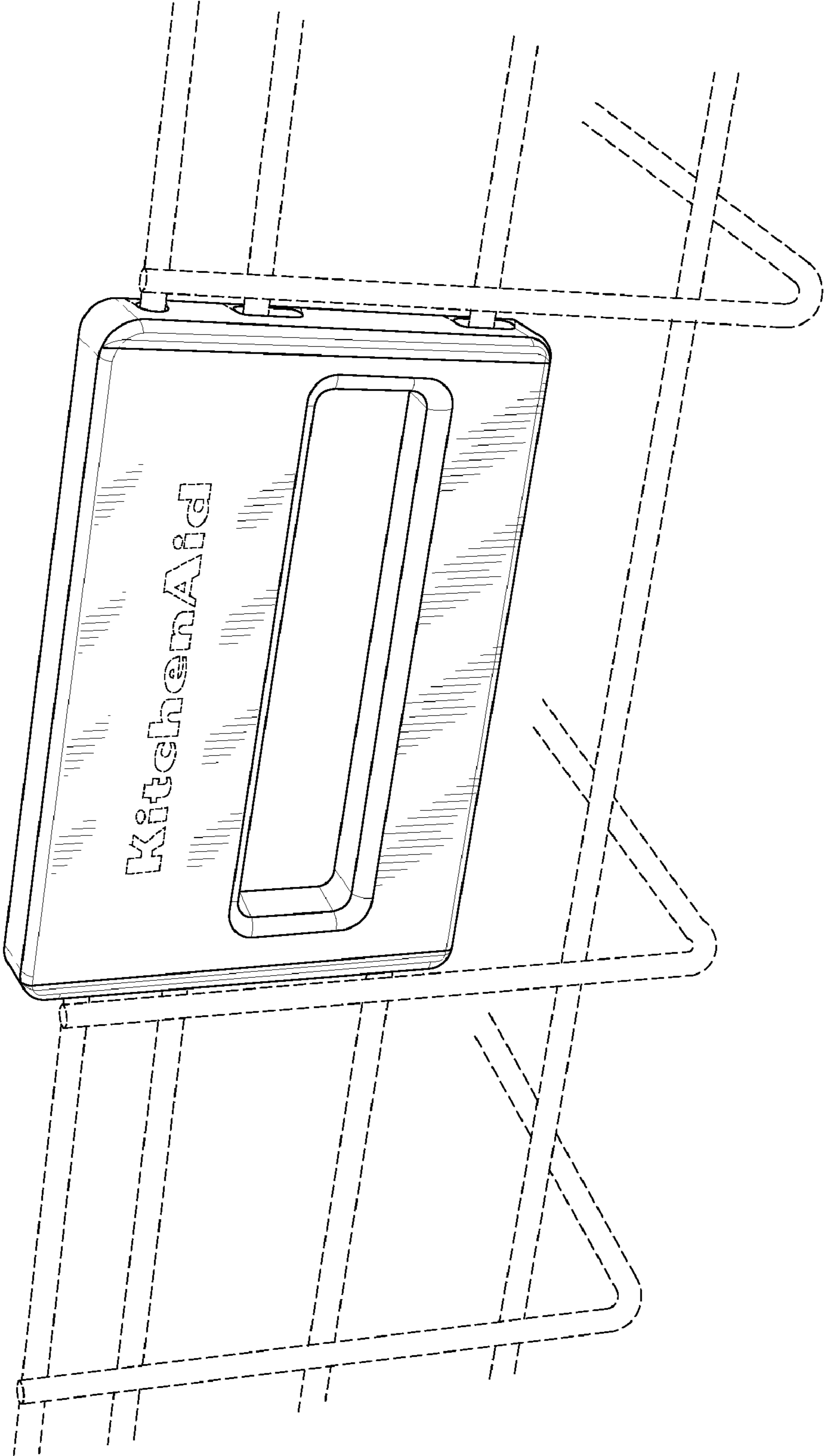


Fig. 1

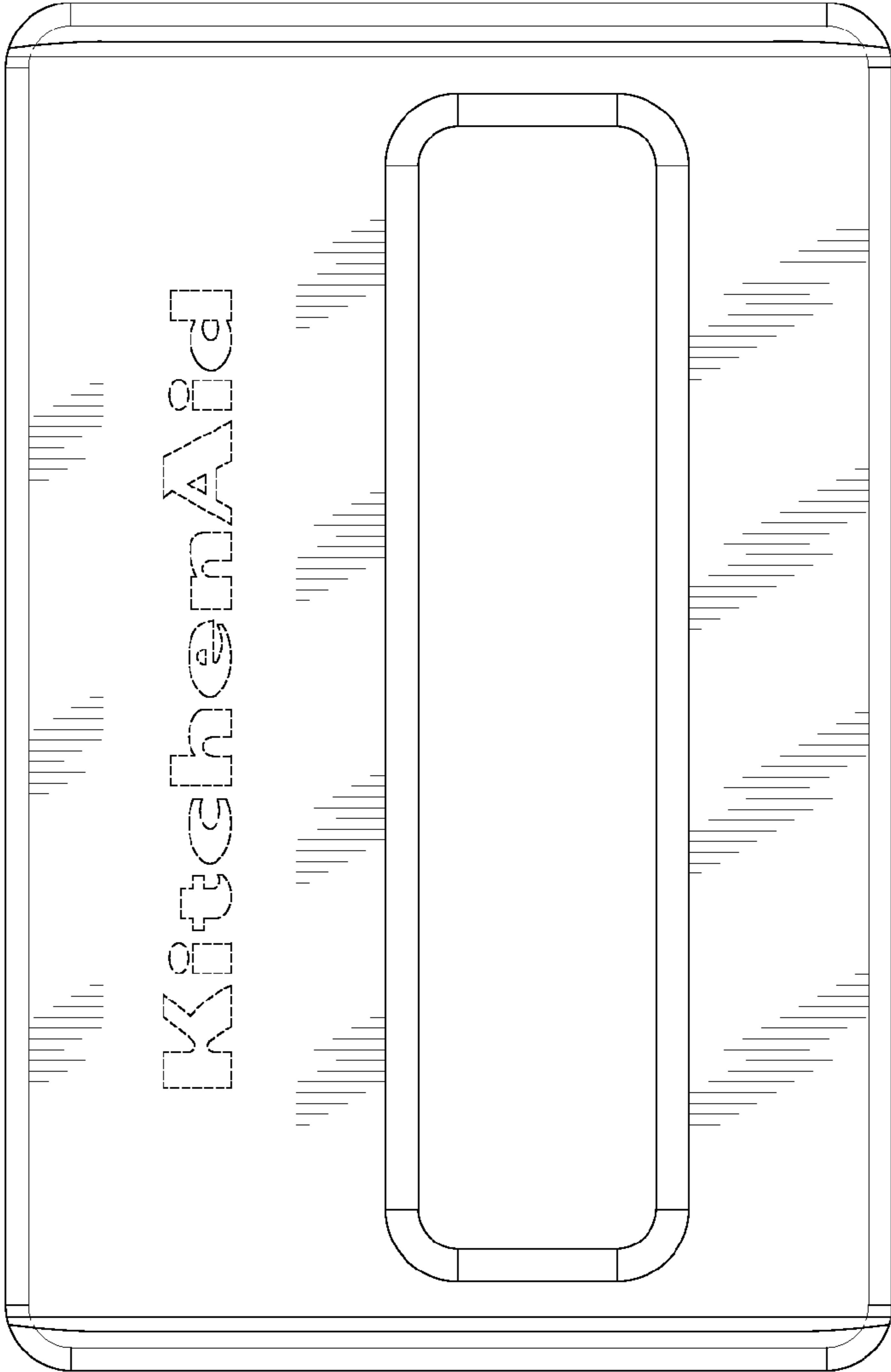


Fig. 2

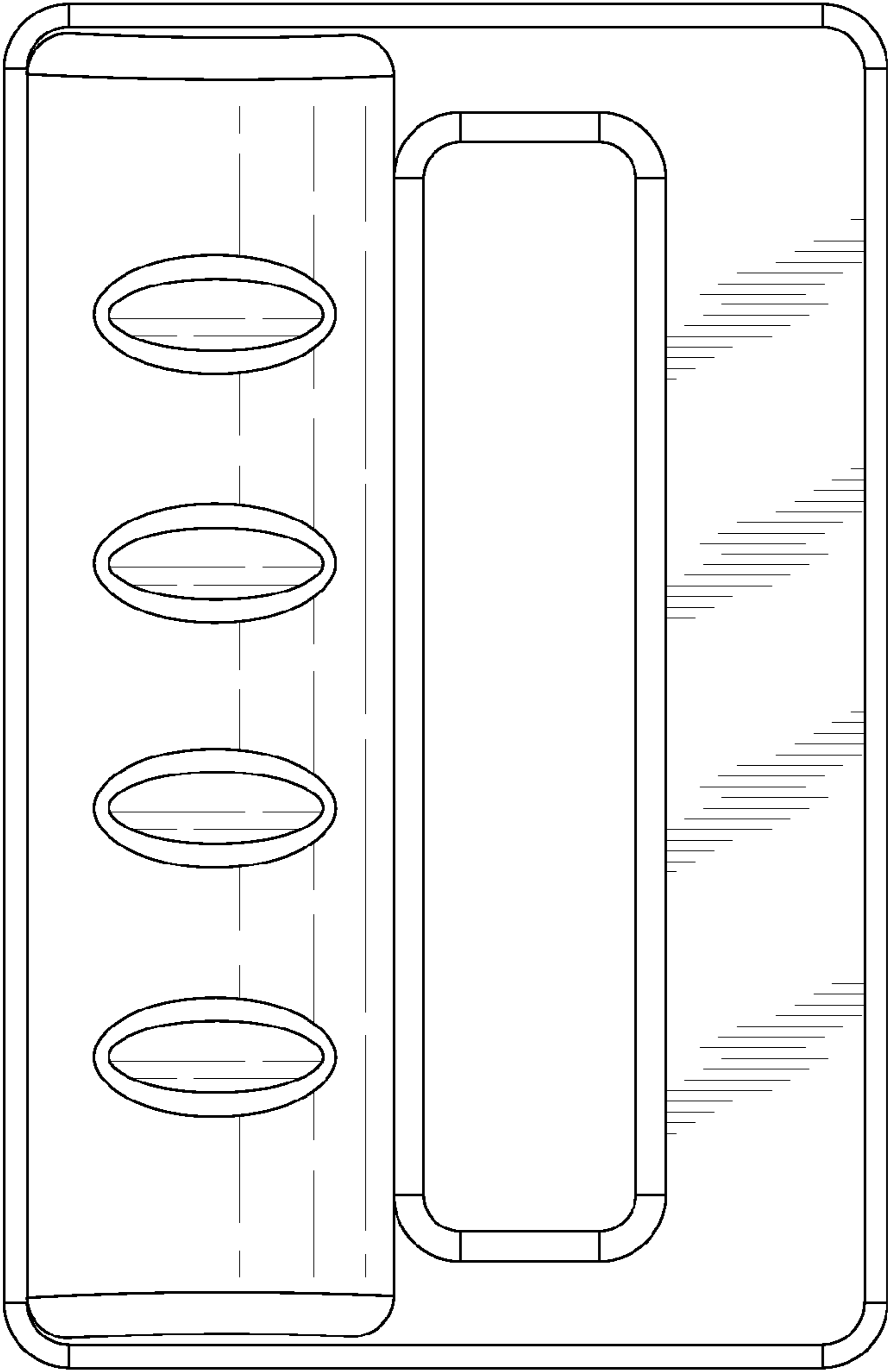


Fig. 3

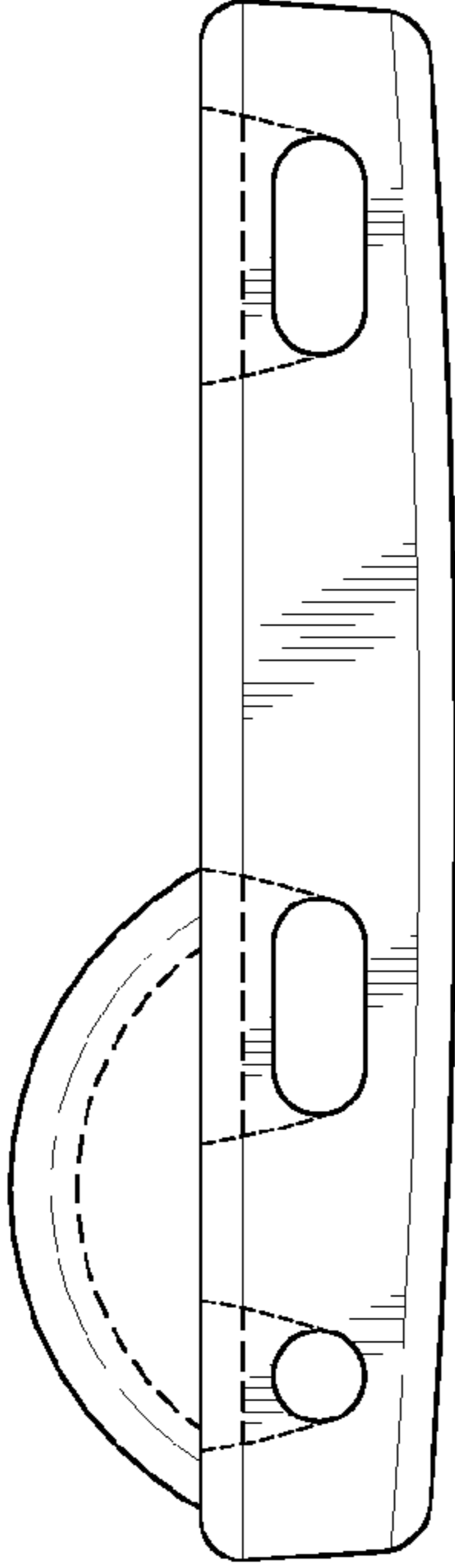


Fig. 4

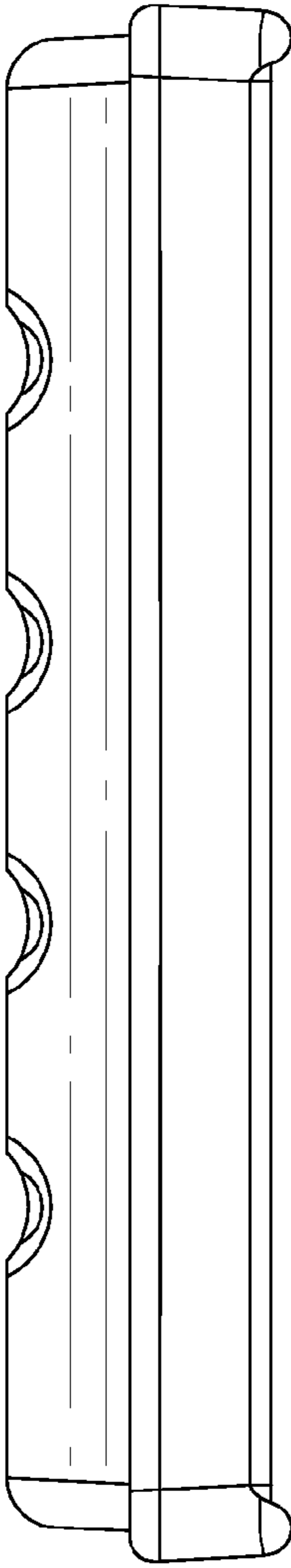


Fig. 5