



US00D645218S

(12) **United States Design Patent**  
**Rossano et al.**

(10) **Patent No.:** **US D645,218 S**  
(45) **Date of Patent:** **\*\* Sep. 13, 2011**

(54) **TRIANGULAR VACUUM HEAD**  
(75) Inventors: **Martin Rossano**, Montreal (CA); **Eric Quiron**, Prevost (CA)  
(73) Assignee: **CPA Pool Products, Inc.**, Quebec (CA)  
(\*\*) Term: **14 Years**  
(21) Appl. No.: **29/365,254**

D460,232	S	*	7/2002	Weihrauch	.....	D32/50
6,430,773	B1	*	8/2002	Buron et al.	.....	15/420
D487,947	S	*	3/2004	Pecci et al.	.....	D32/32
D488,600	S	*	4/2004	Pecci et al.	.....	D32/32
D490,950	S	*	6/2004	Pecci et al.	.....	D32/32
D568,016	S	*	4/2008	Ponikvar et al.	.....	D32/32
D612,116	S	*	3/2010	Nicholas	.....	D32/33
D629,982	S	*	12/2010	Rossano et al.	.....	D32/33
2007/0074358	A1	*	4/2007	Tsai	.....	15/42
2007/0094829	A1	*	5/2007	Dotterman et al.	.....	15/228
2010/0275400	A1	*	11/2010	Milanese	.....	15/228

\* cited by examiner

(22) Filed: **Jul. 7, 2010**  
(51) **LOC (9) Cl.** ..... **15-05**  
(52) **U.S. Cl.** ..... **D32/33**  
(58) **Field of Classification Search** ..... D32/50,  
D32/17, 31-33, 22, 51, 38-40, 45, 25, 49;  
15/182, 179, 168, 228, 319, 403, 209.1, 52,  
15/1, 246.3, 320-322, 415.1-422.1, 414,  
15/412, 354, 362, 366, 374, 400, 327.1, 329,  
15/41.1, 42, 48, 171, 176.1, 159.1, 339, 208,  
15/372, 385, 115, 106; 401/138-139; 68/222;  
134/198, 105

See application file for complete search history.

(56) **References Cited**

**U.S. PATENT DOCUMENTS**

D208,851	S	*	10/1967	Lindberg, Jr.	.....	D32/33
5,347,679	A	*	9/1994	Saunders et al.	.....	15/416

*Primary Examiner* — Ruth McInroy

(74) *Attorney, Agent, or Firm* — Baker & Rannells, PA

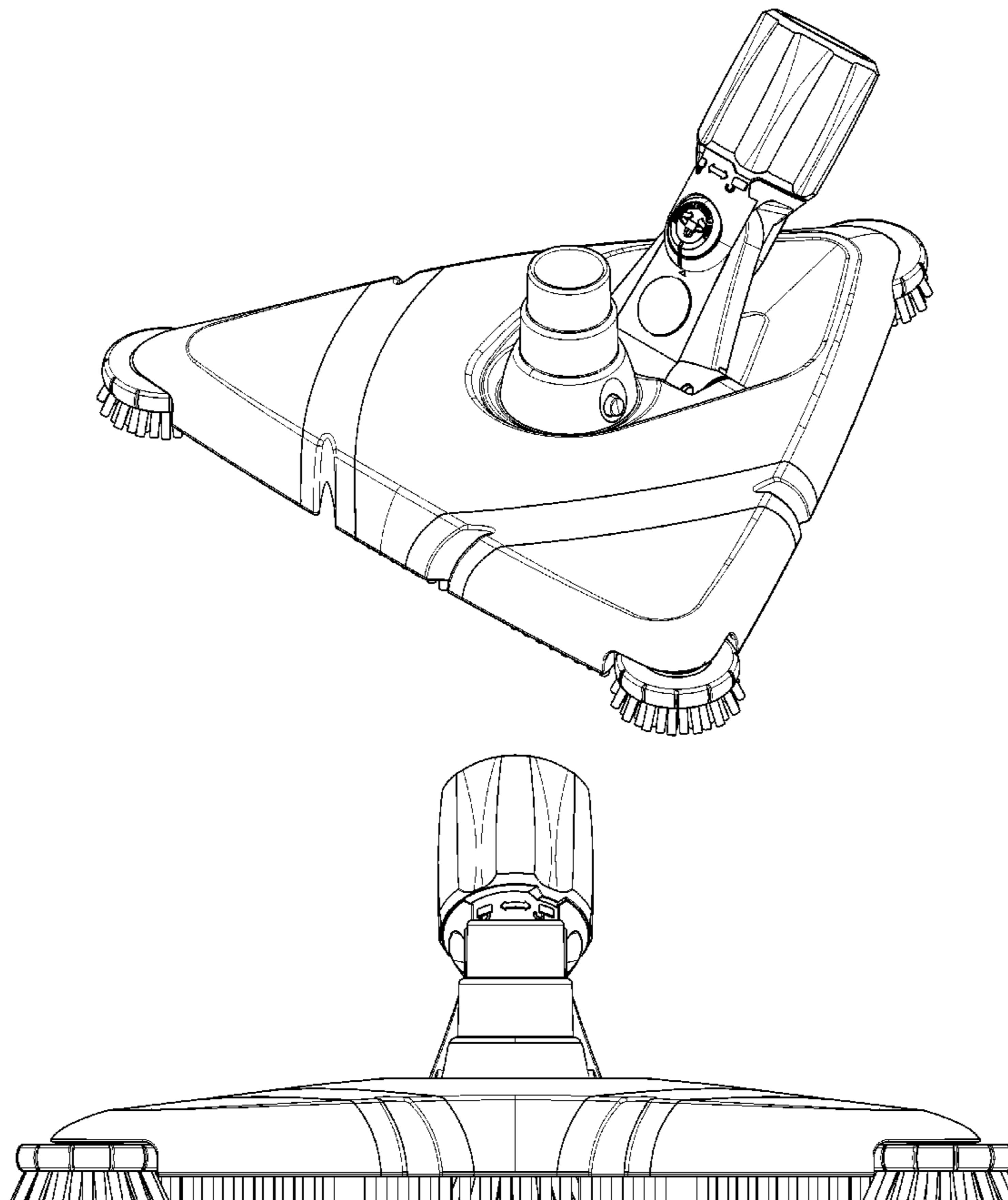
(57) **CLAIM**

We claim the ornamental design for a triangular vacuum head, as shown and described.

**DESCRIPTION**

FIG. 1 is a perspective view of a triangular vacuum head, showing our new design;  
FIG. 2 is a front elevational view thereof;  
FIG. 3 is a rear elevational view thereof;  
FIG. 4 is a left side elevational view thereof;  
FIG. 5 is a right side elevational view thereof; and,  
FIG. 6 is a top plan view thereof.

**1 Claim, 6 Drawing Sheets**



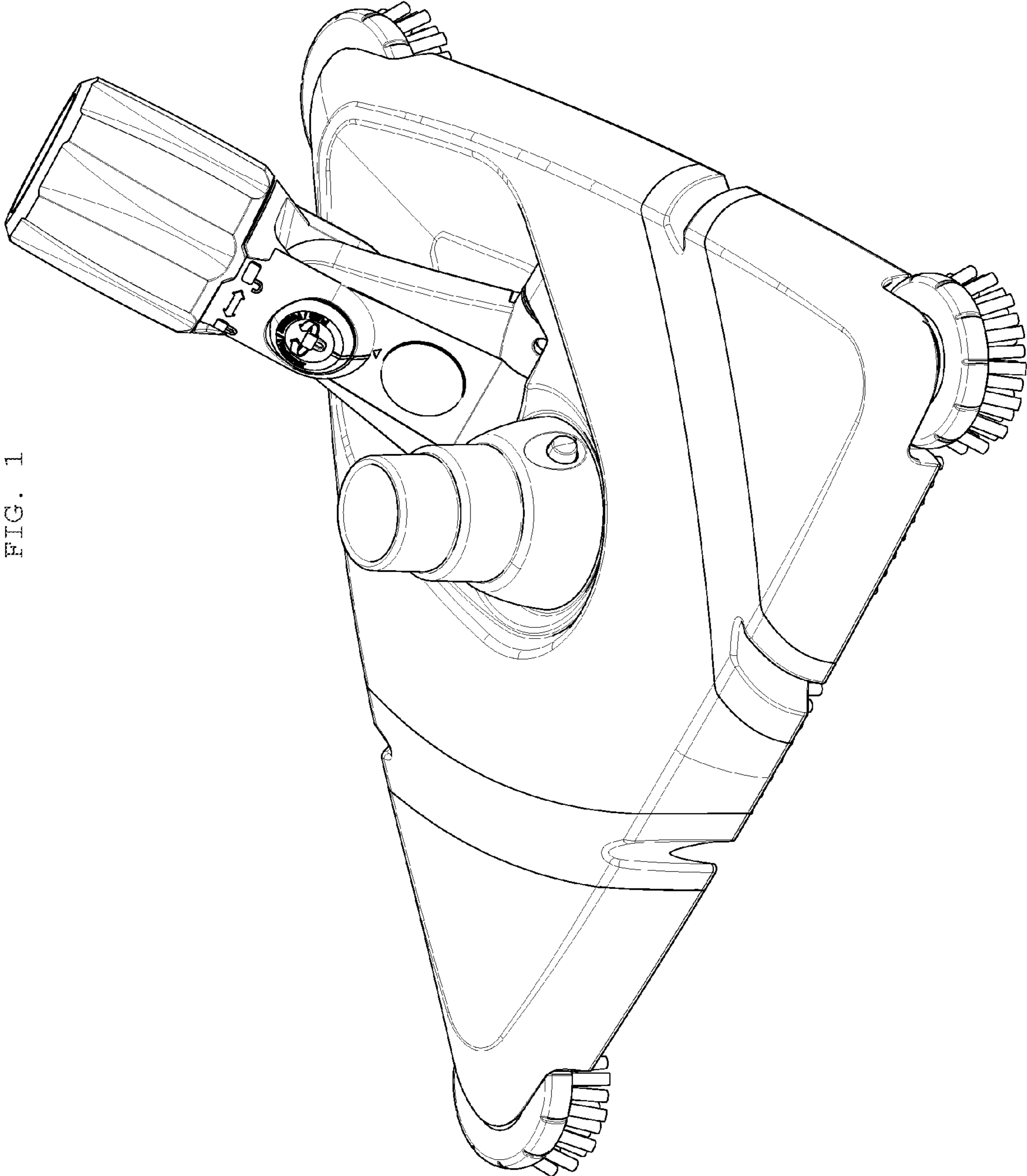


FIG. 1

FIG. 2

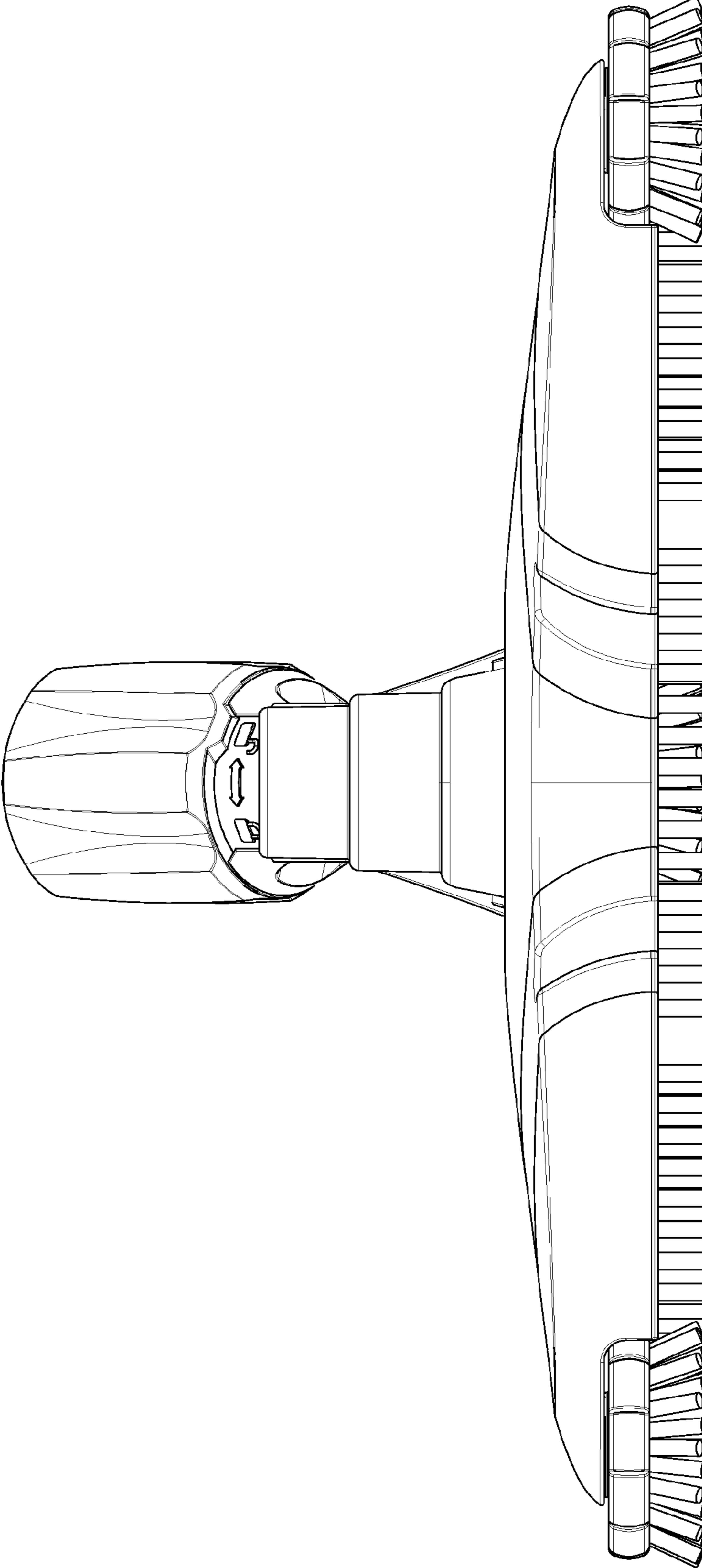


FIG. 3

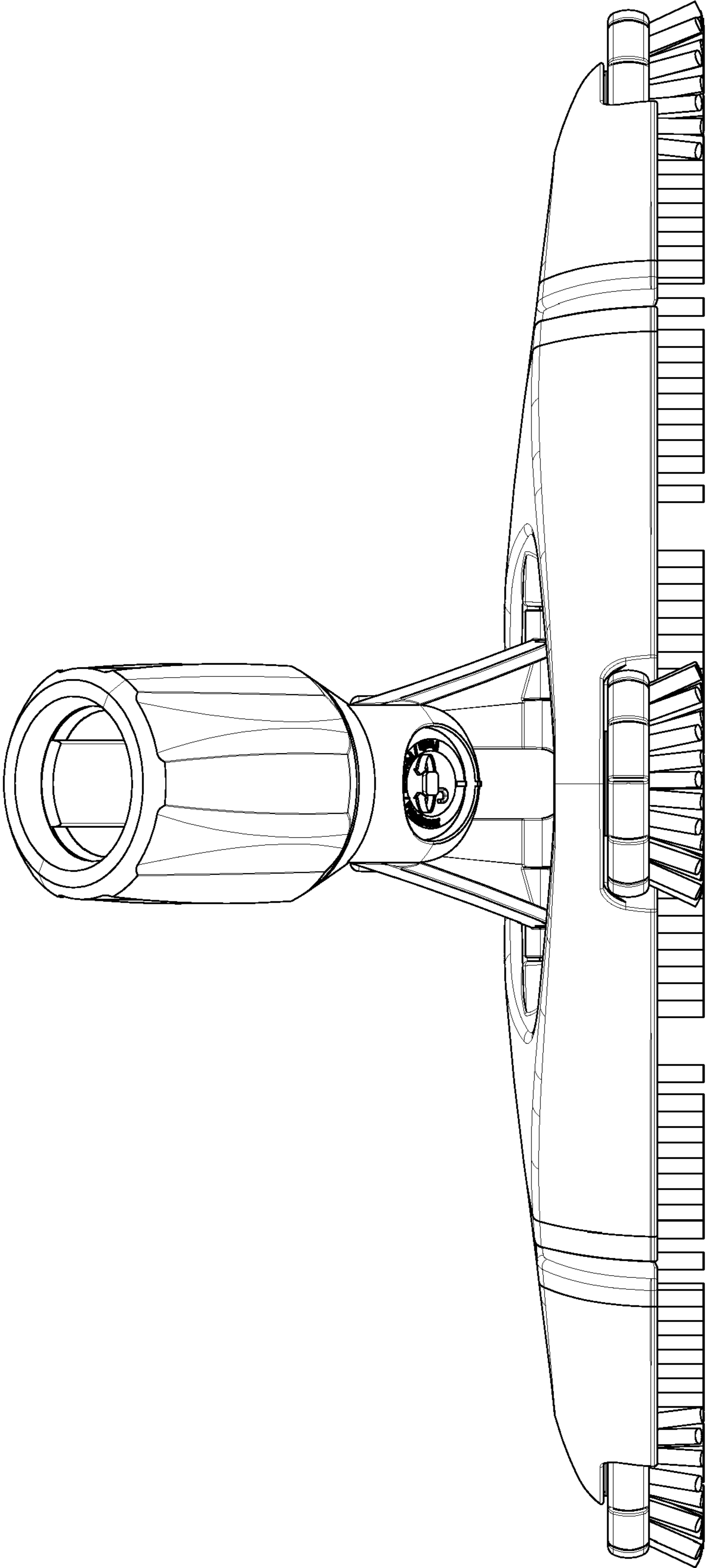


FIG. 4

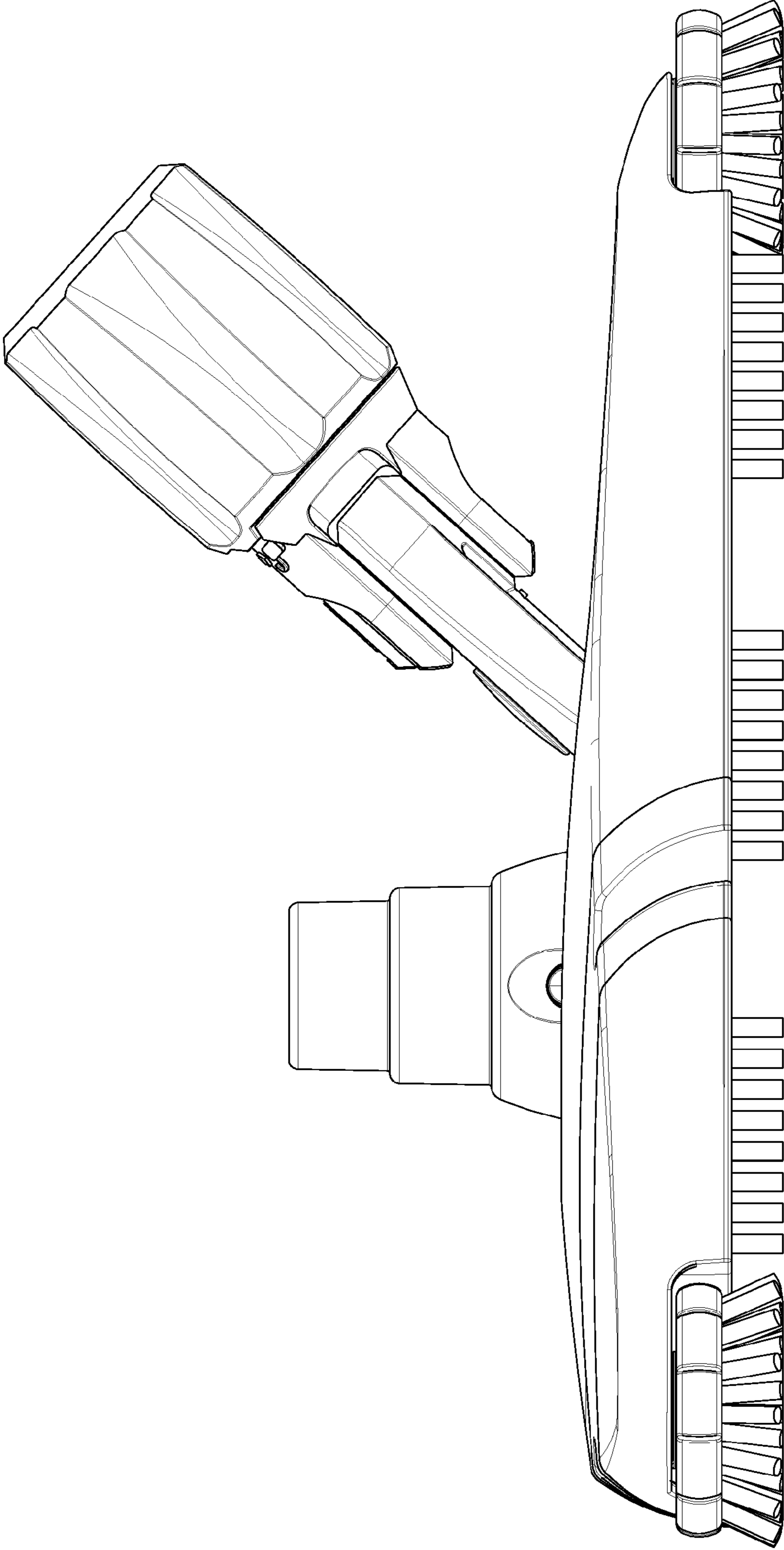


FIG. 5

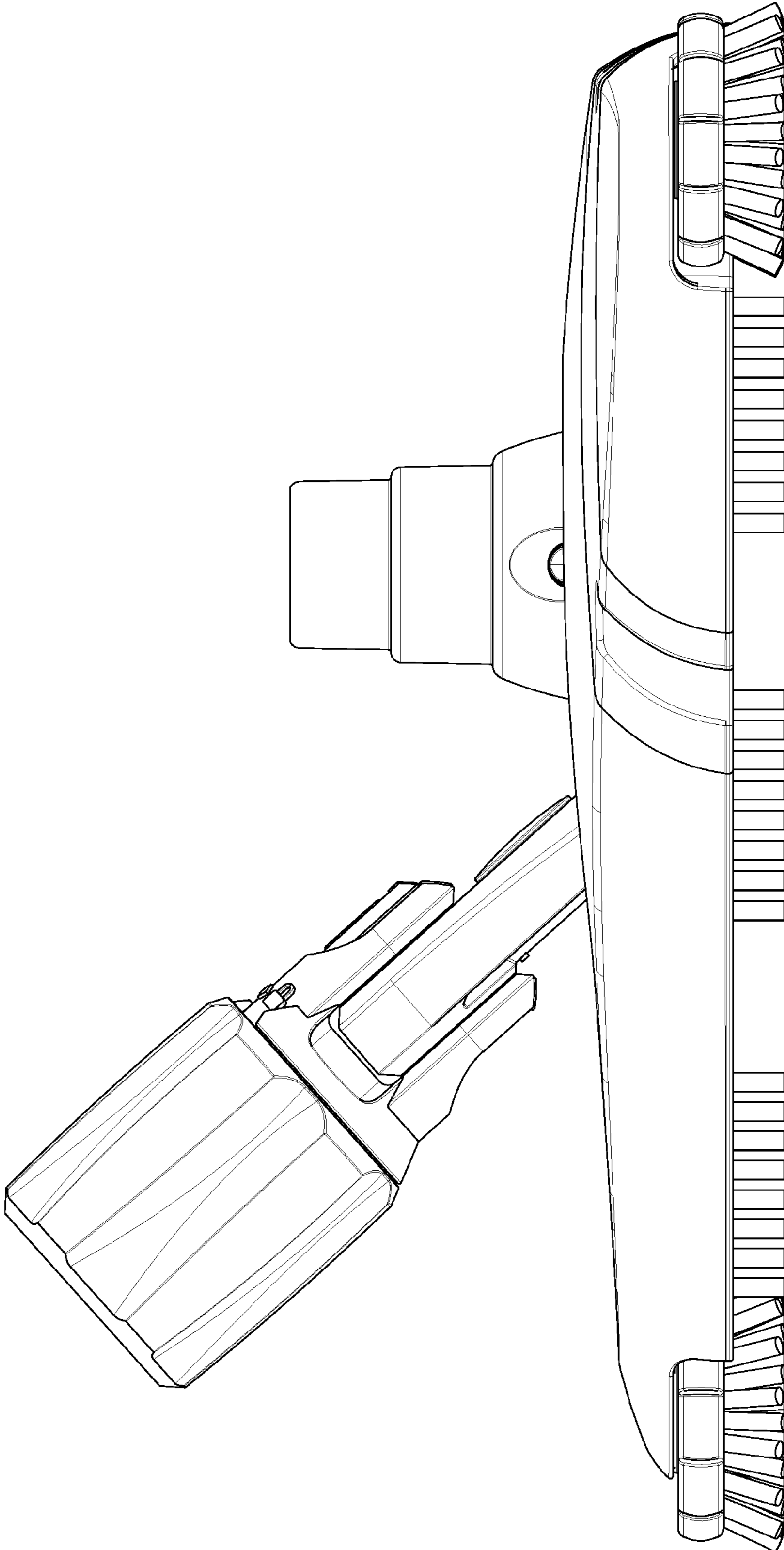


FIG. 6

