

US00D645217S

(12) **United States Design Patent**
Rossano et al.

(10) **Patent No.:** **US D645,217 S**

(45) **Date of Patent:** **** Sep. 13, 2011**

(54) **RECTANGULAR VACUUM HEAD**

(56) **References Cited**

(75) Inventors: **Martin Rossano**, Montreal (CA); **Eric Quiron**, Prevost (CA)

U.S. PATENT DOCUMENTS

(73) Assignee: **CPA Pool Products, Inc.**, Quebec (CA)

D333,539	S	*	2/1993	Kramer et al.	D32/32
D402,776	S	*	12/1998	Carlson	D32/50
D487,947	S	*	3/2004	Pecci et al.	D32/32
D490,950	S	*	6/2004	Pecci et al.	D32/32
D612,116	S	*	3/2010	Nicholas	D32/33
D629,982	S	*	12/2010	Rossano et al.	D32/33
2010/0319158	A1	*	12/2010	Ashbee	15/415.1

(**) Term: **14 Years**

* cited by examiner

(21) Appl. No.: **29/365,251**

Primary Examiner — Ruth McInroy

(22) Filed: **Jul. 7, 2010**

(74) *Attorney, Agent, or Firm* — Baker & Rannells, PA

(51) **LOC (9) Cl.** **15-05**

(57) **CLAIM**

(52) **U.S. Cl.** **D32/33**

We claim the ornamental design for a rectangular vacuum head, as shown and described.

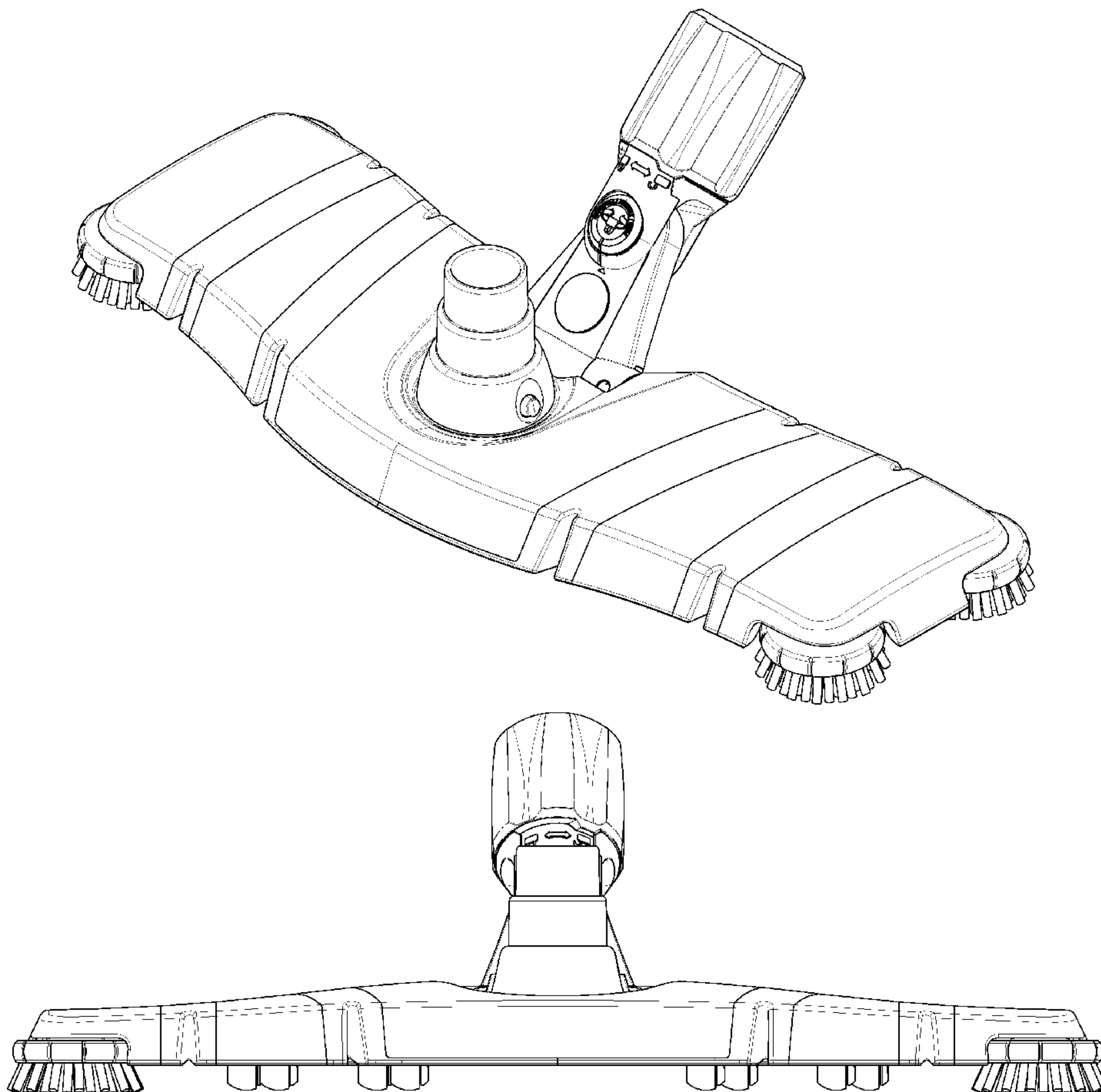
(58) **Field of Classification Search** D32/50,
D32/17, 31-33, 22, 51, 38-40, 45, 25, 49;
15/182, 179, 168, 228, 319, 403, 209.1, 52,
15/1, 246.3, 320-322, 415.1-422.1, 414,
15/412, 354, 362, 366, 374, 400, 327.1, 329,
15/41.1, 42, 48, 171, 176.1, 159.1, 339, 208,
15/372, 385, 115, 106; 401/138-139; 68/222;
134/198, 105

DESCRIPTION

FIG. 1 is a perspective view of a rectangular vacuum head, showing our new design;
FIG. 2 is a front elevational view thereof;
FIG. 3 is a rear elevational view thereof;
FIG. 4 is a left side elevational view thereof;
FIG. 5 is a right side elevational view thereof; and,
FIG. 6 is a top plan view thereof.

See application file for complete search history.

1 Claim, 6 Drawing Sheets



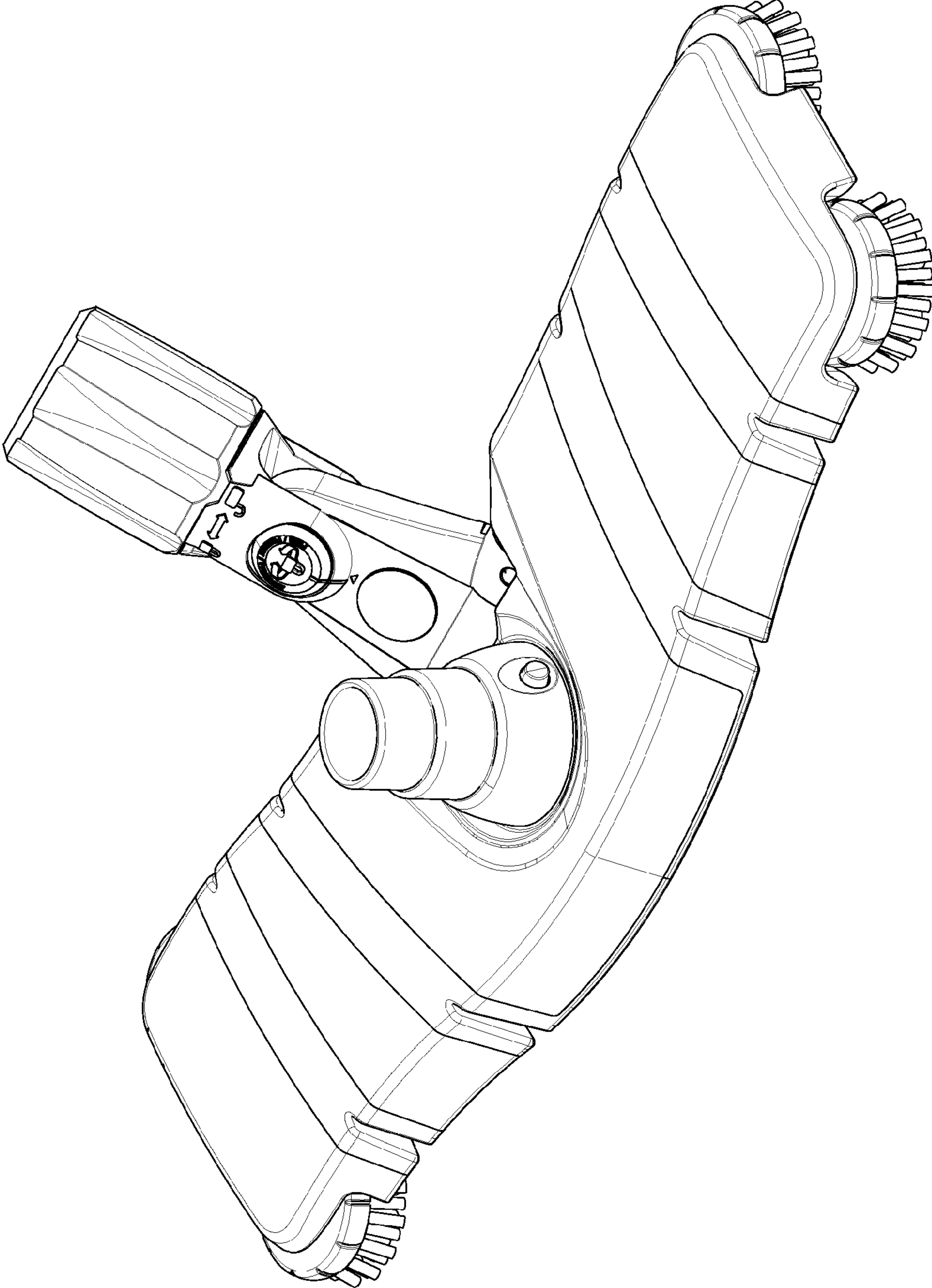


FIG. 1

FIG. 2

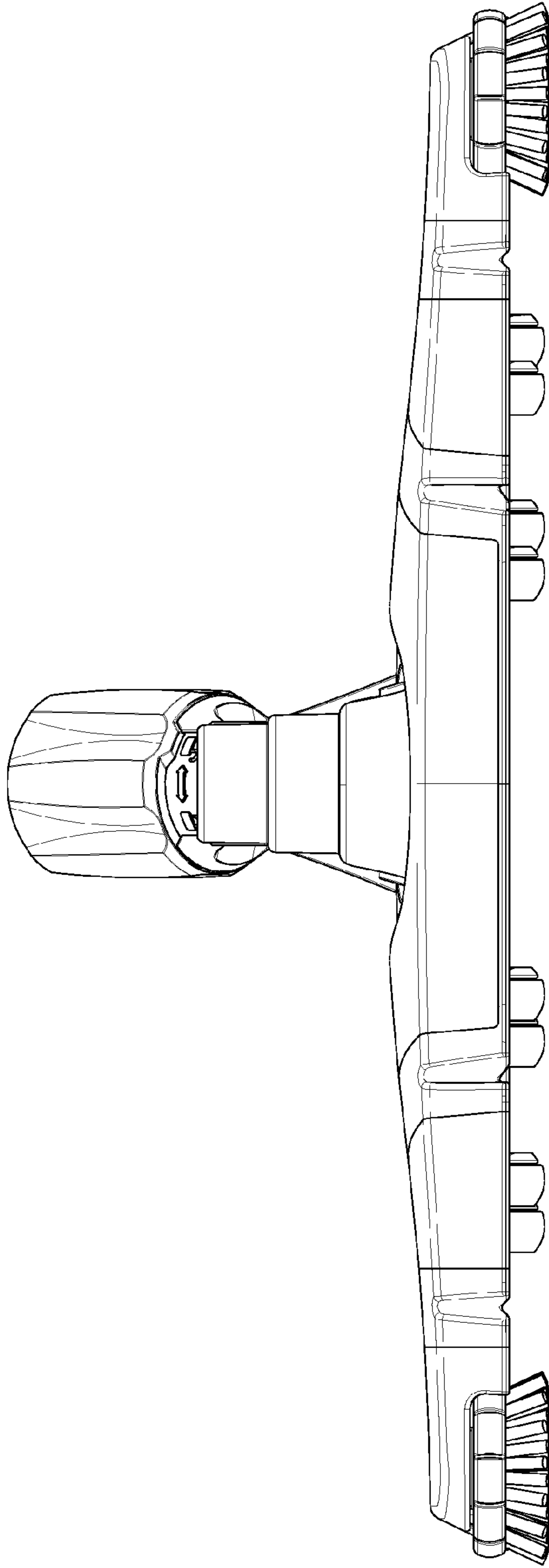
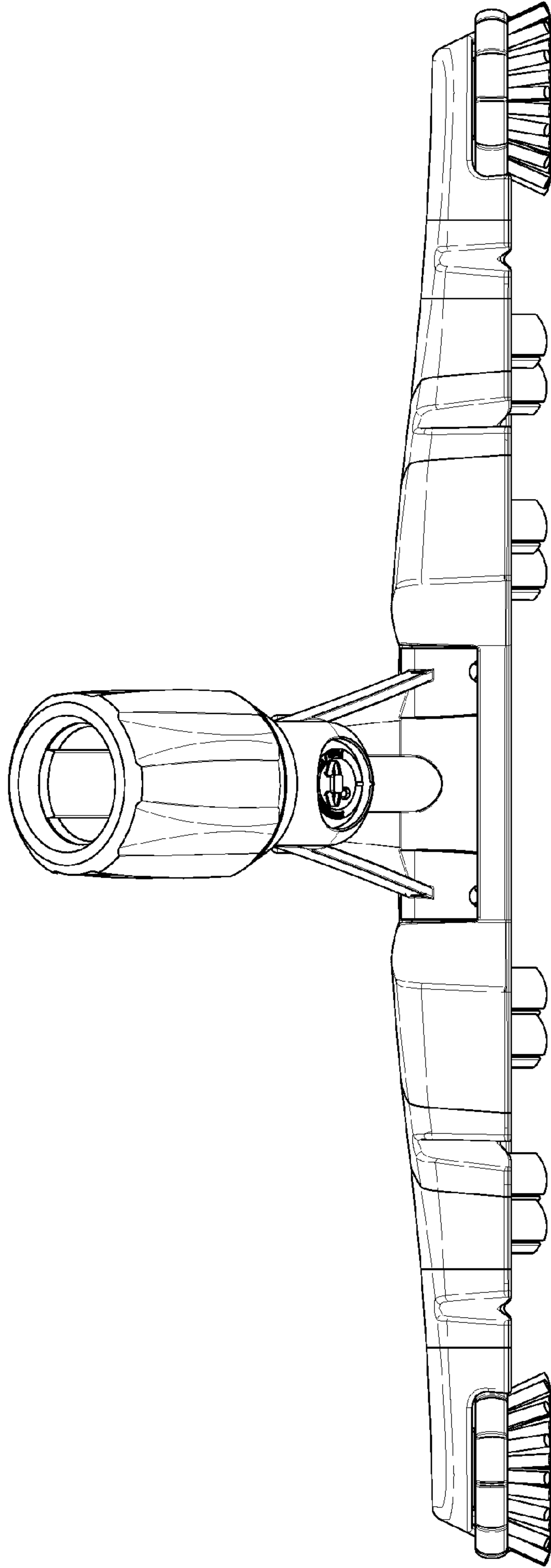


FIG. 3



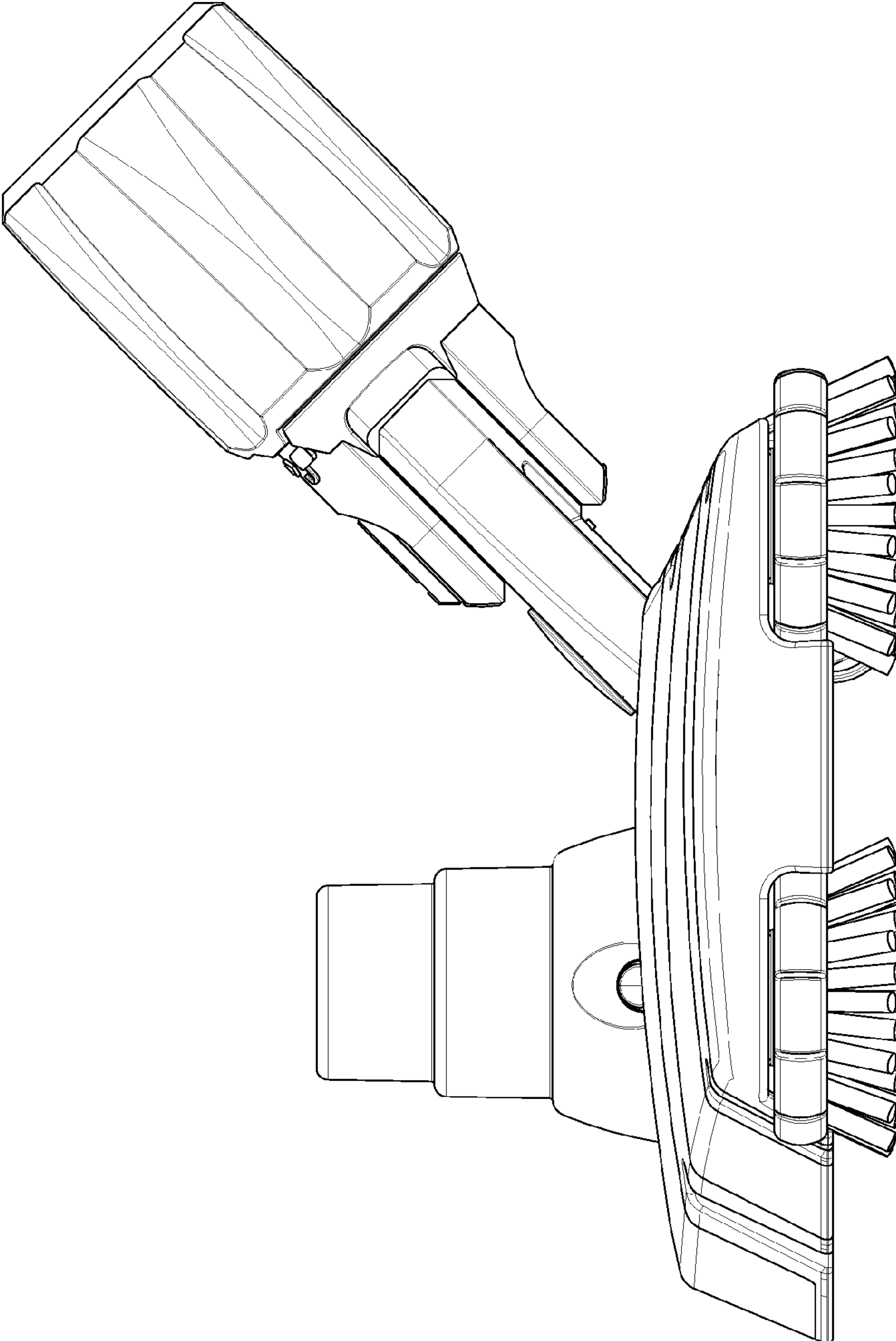


FIG. 4

FIG. 5

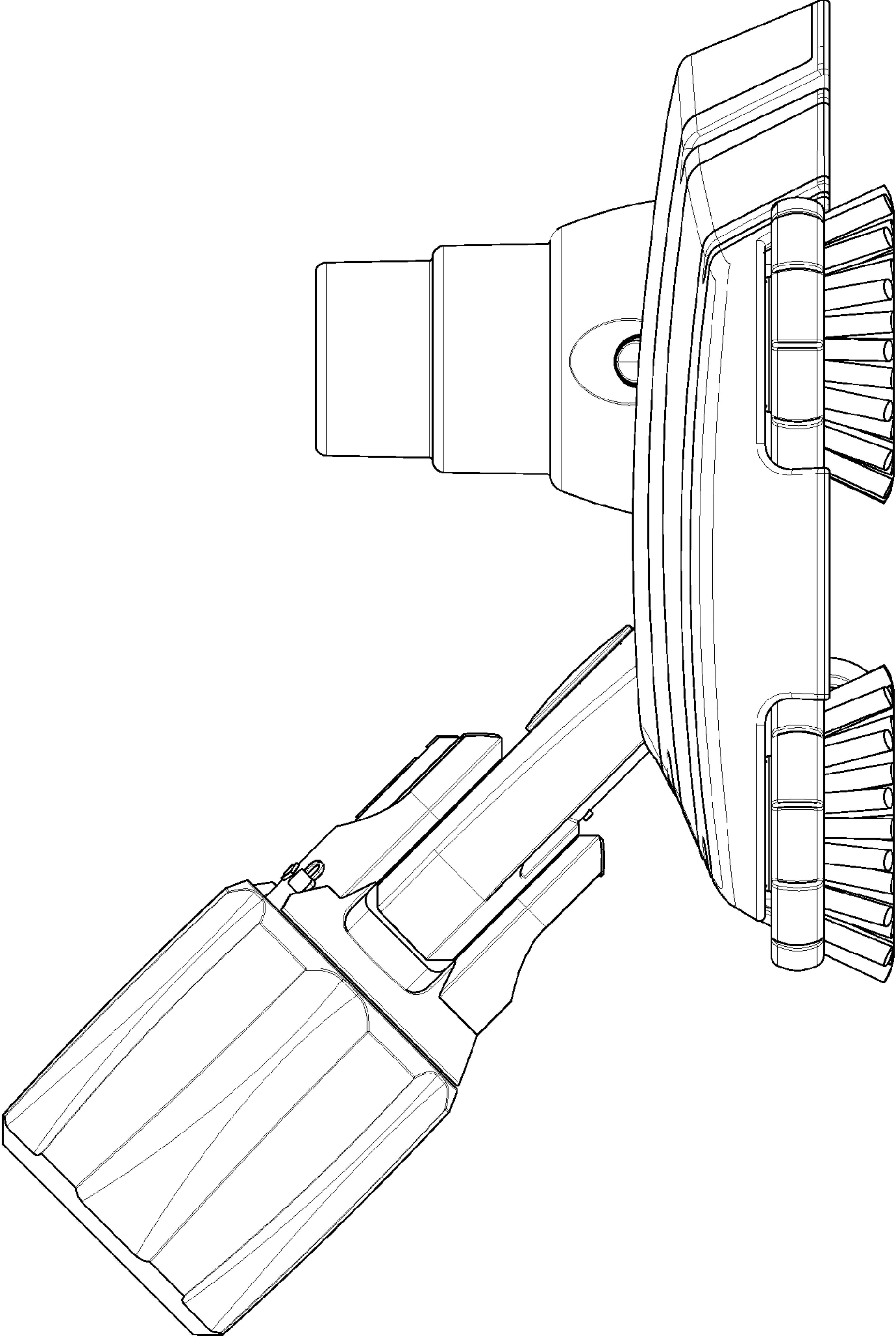


FIG. 6

