



US00D645209S

(12) **United States Design Patent**
Lin

(10) **Patent No.:** **US D645,209 S**

(45) **Date of Patent:** **** Sep. 13, 2011**

(54) **WEIGHTED VEST**

(76) Inventor: **Chieh-Jen Lin**, New Taipei (TW)

(**) Term: **14 Years**

(21) Appl. No.: **29/391,404**

(22) Filed: **May 9, 2011**

(51) **LOC (9) Cl.** **29-02**

(52) **U.S. Cl.** **D29/101.4**

(58) **Field of Classification Search** D29/100,
D29/101.1, 101.2, 101.3, 101.4, 101.5, 124;
D21/683, 804, 805; 441/115; 2/2.5, 48,
2/46, 51, 79, 85, 92, 93, 94, 102, 108; 5/81.1 R,
5/502; 362/108; D24/190; D2/830; 482/105
See application file for complete search history.

(56) **References Cited**

U.S. PATENT DOCUMENTS

4,394,012	A *	7/1983	Egbert et al.	482/105
D278,840	S *	5/1985	Winston	D21/683
D340,794	S *	11/1993	Winston	D21/683
7,490,361	B1 *	2/2009	Floyd	2/94

D602,205	S *	10/2009	Thomas et al.	D29/101.4
D627,072	S *	11/2010	Kosh	D24/190
7,870,623	B2 *	1/2011	Judd	5/502

* cited by examiner

Primary Examiner — Susan Bennett Hattan

Assistant Examiner — Barbara B Lohr

(74) *Attorney, Agent, or Firm* — Leong C. Lei

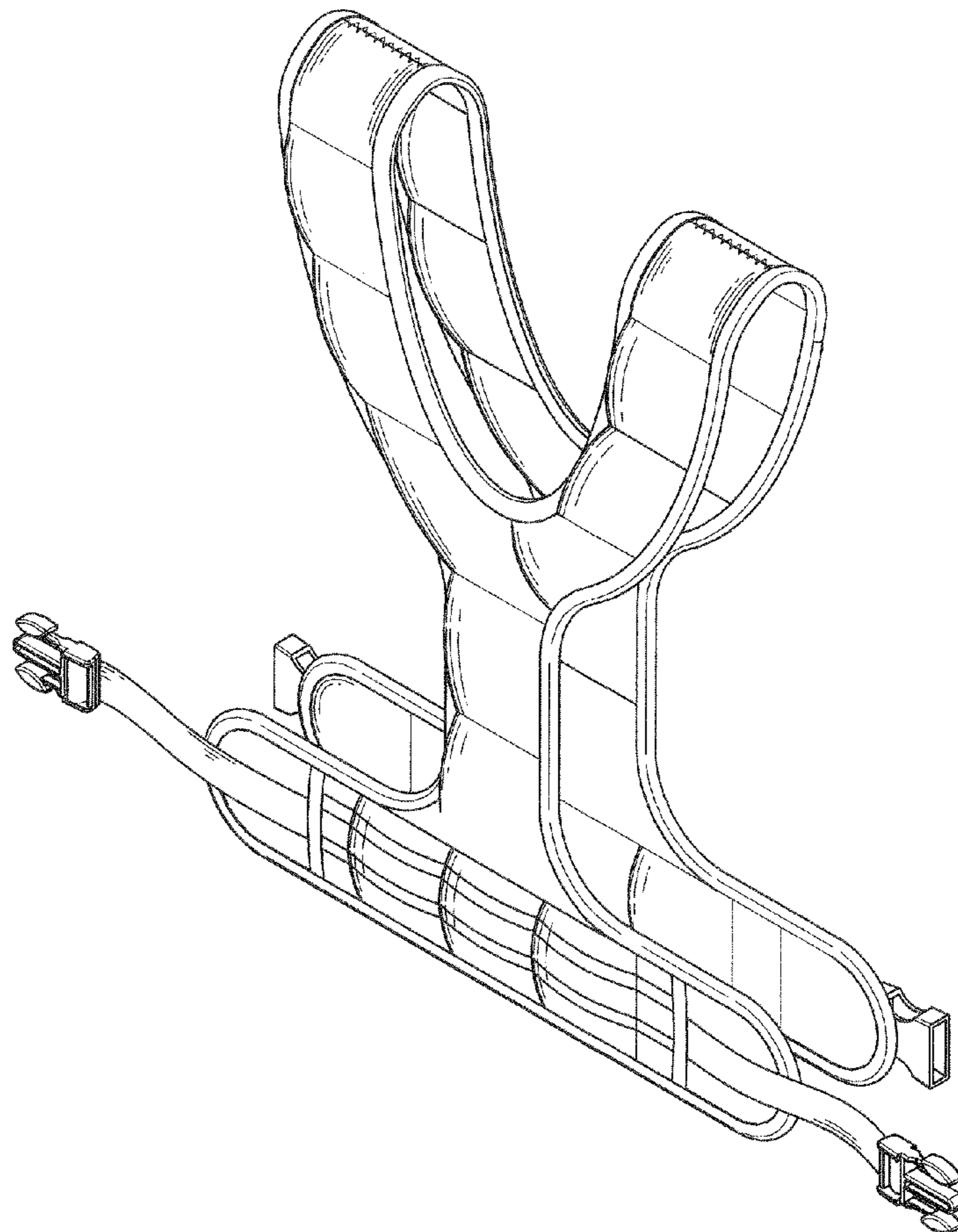
(57) **CLAIM**

The ornamental design for a weighted vest, as shown and described.

DESCRIPTION

FIG. 1 is a front perspective view of a weighted vest showing my new design;
FIG. 2 is a front elevational view thereof;
FIG. 3 is a rear elevational view thereof;
FIG. 4 is a left elevational view thereof;
FIG. 5 is a right elevational view thereof;
FIG. 6 is a top plan view thereof; and,
FIG. 7 is a bottom plan view thereof.

1 Claim, 6 Drawing Sheets



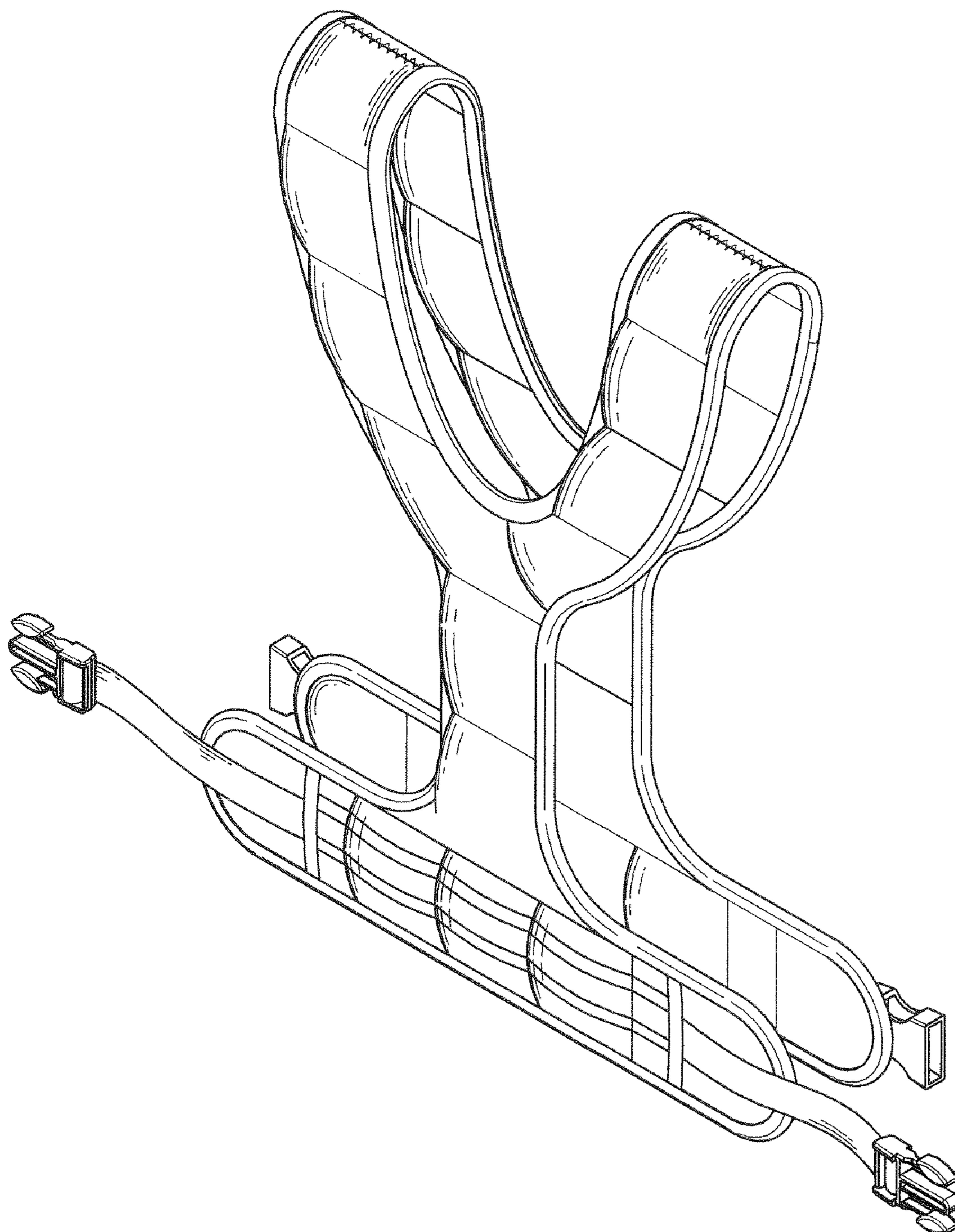


FIG. 1

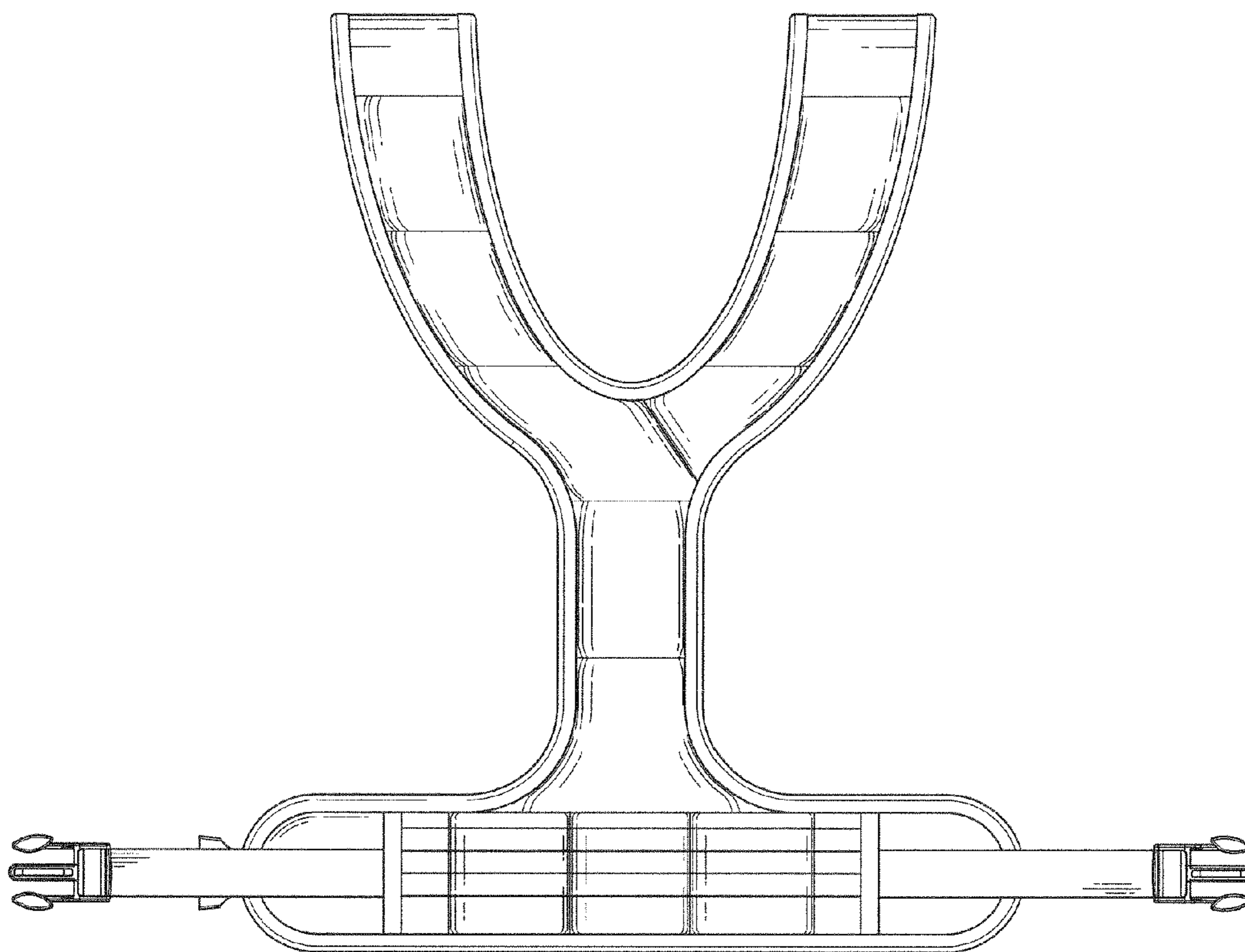


FIG. 2

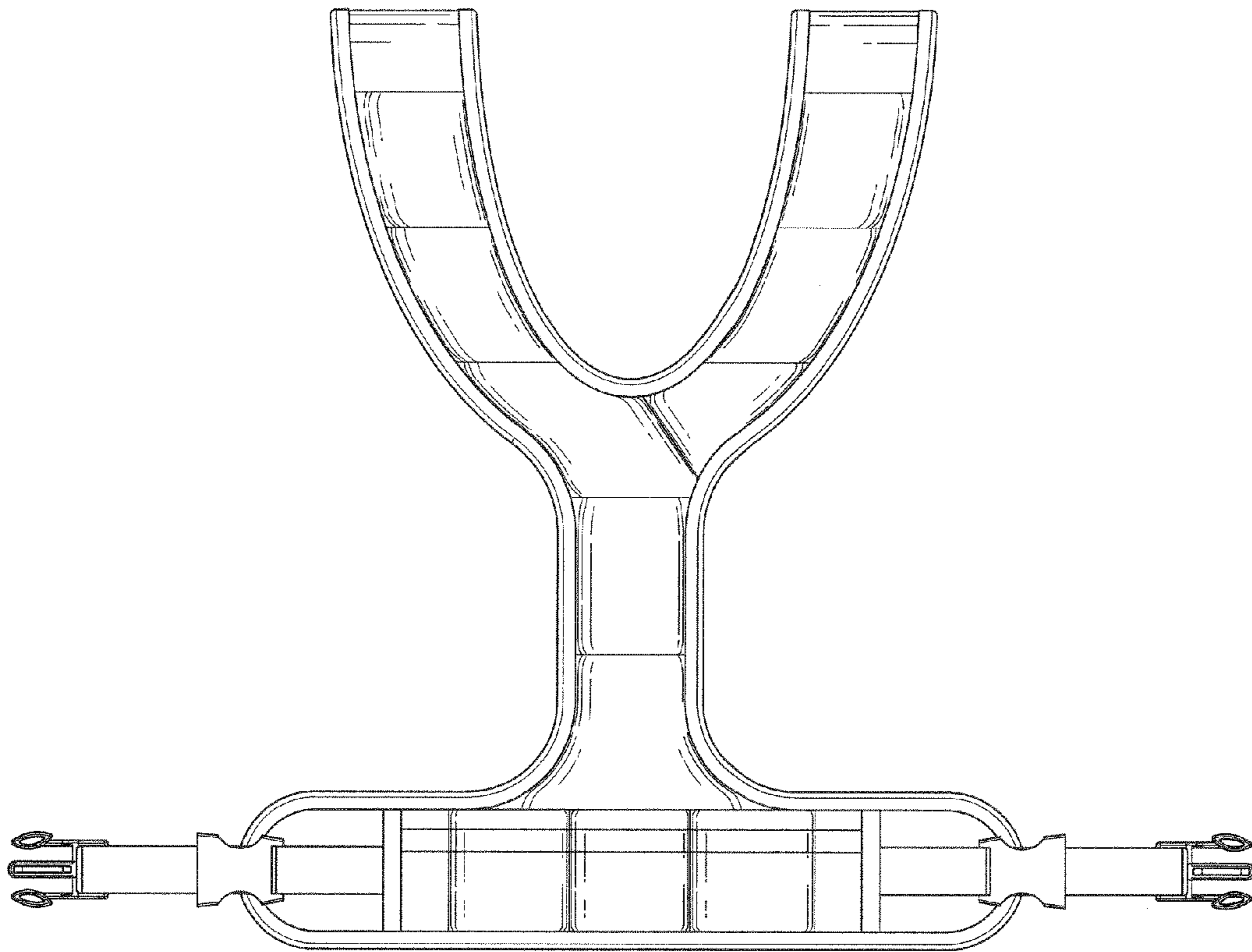


FIG. 3

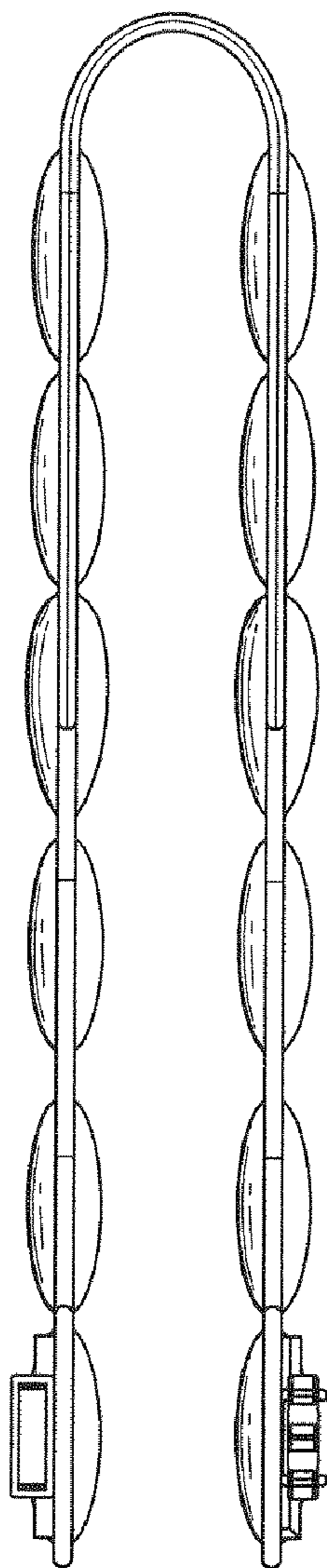


FIG. 4

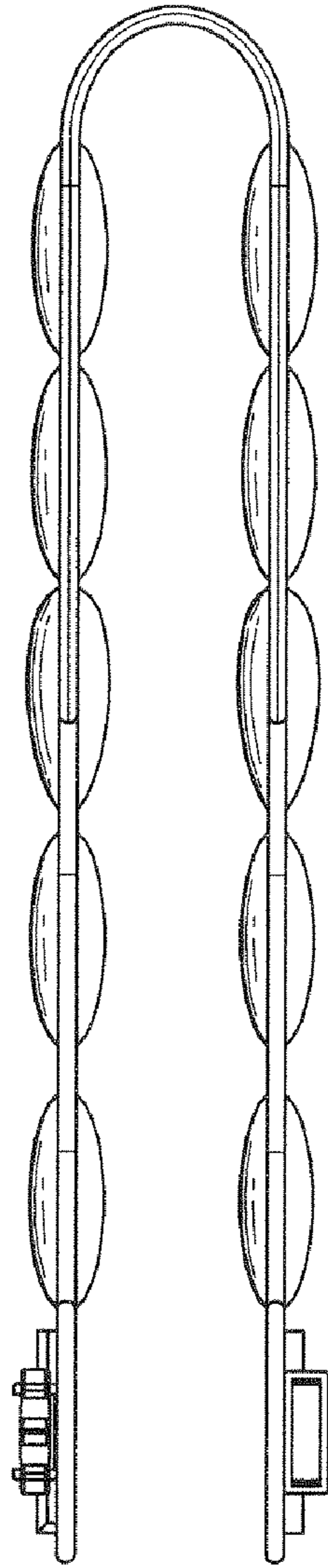


FIG. 5

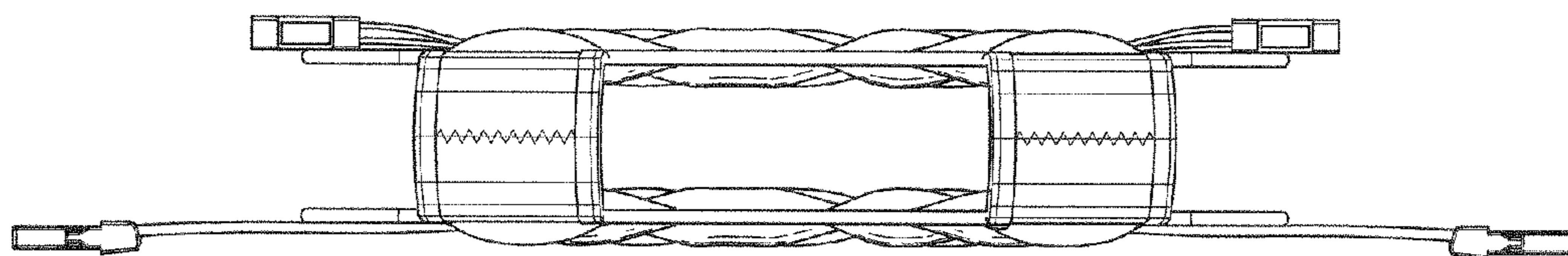


FIG. 6

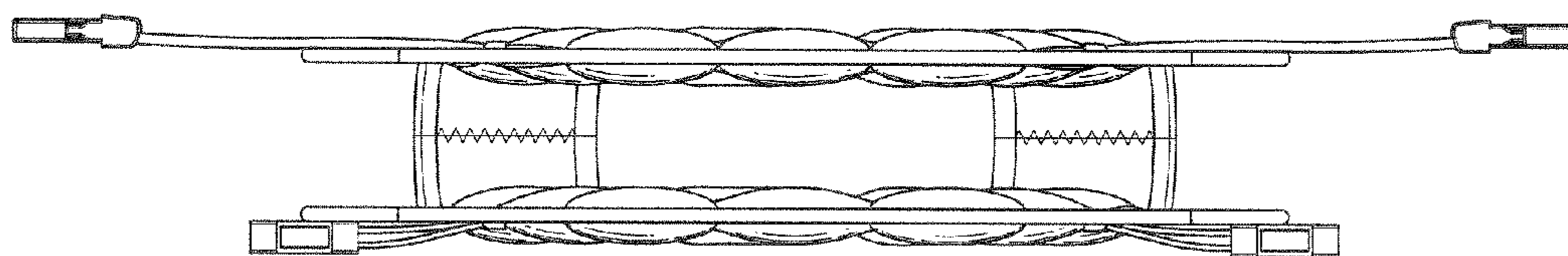


FIG. 7