



US00D645205S

(12) **United States Design Patent**
Lukan et al.

(10) **Patent No.:** **US D645,205 S**

(45) **Date of Patent:** **** Sep. 13, 2011**

(54) **SAFETY RAZOR HANDLE**

(75) Inventors: **Sean Lukan**, Milford, CT (US);
Andrew Hitchcock, Bethany, CT (US)

(73) Assignee: **Eveready Battery Company, Inc.**, St. Louis, MO (US)

(**) Term: **14 Years**

(21) Appl. No.: **29/380,733**

(22) Filed: **Dec. 10, 2010**

(51) **LOC (9) Cl.** **28-03**

(52) **U.S. Cl.** **D28/48**

(58) **Field of Classification Search** 30/32, 32.05,
30/34.1-34.2, 41, 44-46, 47-51, 57-58,
30/77-84, 526-539, 346.5-346.56, 346.61;
D28/44-48

See application file for complete search history.

(56) **References Cited**

U.S. PATENT DOCUMENTS

D526,090 S 8/2006 Bartschi et al.
D534,687 S 1/2007 Dombrowski et al.
D536,829 S 2/2007 Dombrowski et al.
D560,031 S * 1/2008 Fischer et al. D28/46

D560,033 S * 1/2008 Rhoad et al. D28/48
D615,245 S * 5/2010 Lukan D28/47
D615,247 S * 5/2010 Lukan D28/48
D615,707 S * 5/2010 Lukan D28/48
D624,700 S * 9/2010 Jung D28/46

* cited by examiner

Primary Examiner — Jennifer Rivard

(74) *Attorney, Agent, or Firm* — Energizer Personal Care, LLC.

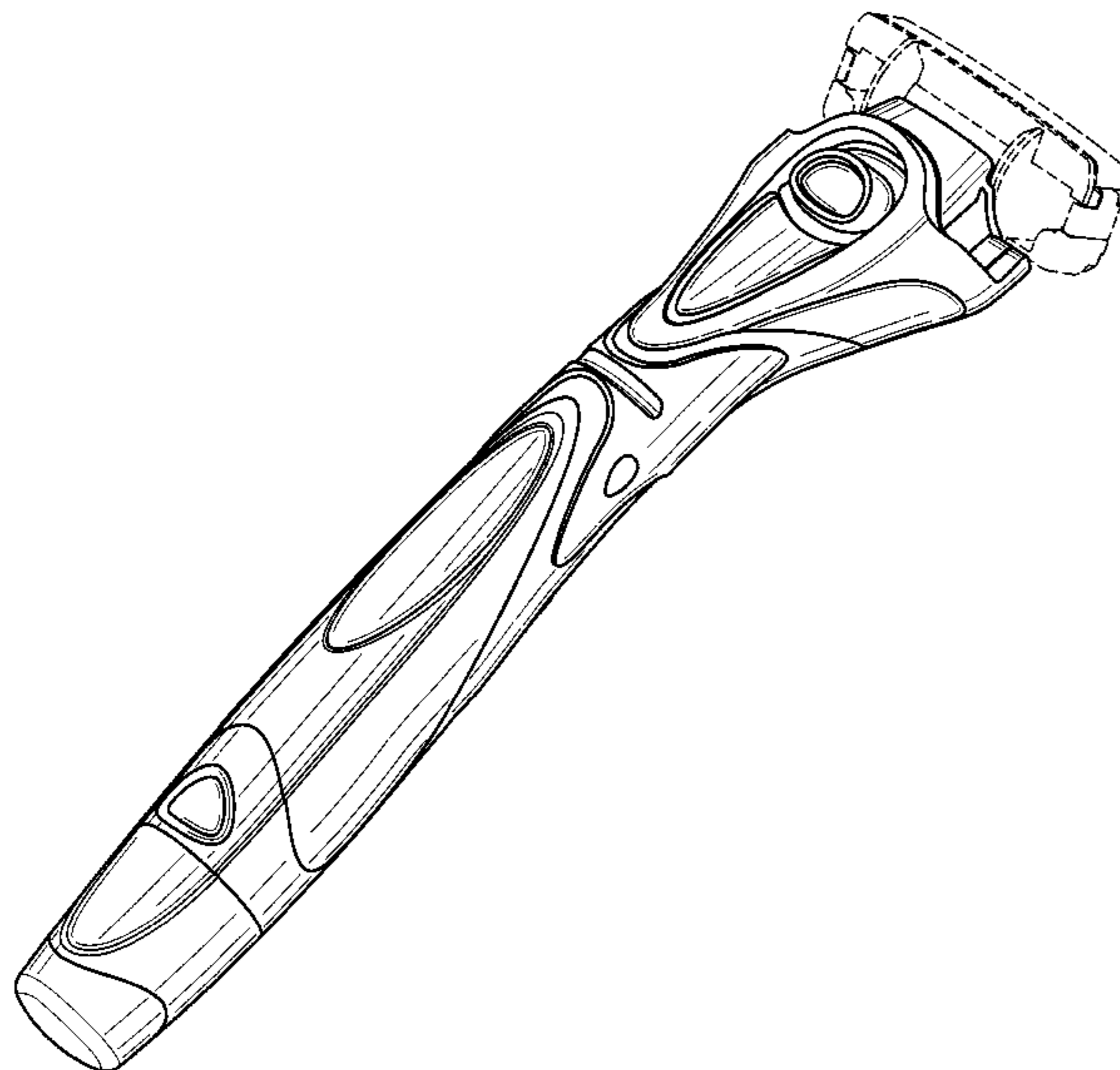
(57) **CLAIM**

We claim the ornamental design for the safety razor handle, as shown and described.

DESCRIPTION

FIG. 1 is an upper perspective view of a safety razor handle. FIG. 2 is a lower perspective view thereof. FIG. 3 is a front view thereof. FIG. 4 is a right side view of FIG. 3. FIG. 5 is a rear view thereof. FIG. 6 is a left side view of FIG. 3. FIG. 7 is a top end view thereof; and, FIG. 8 is a bottom end view thereof. The broken lines in the figures depict environmental subject matter only and form no part of the claimed design.

1 Claim, 5 Drawing Sheets



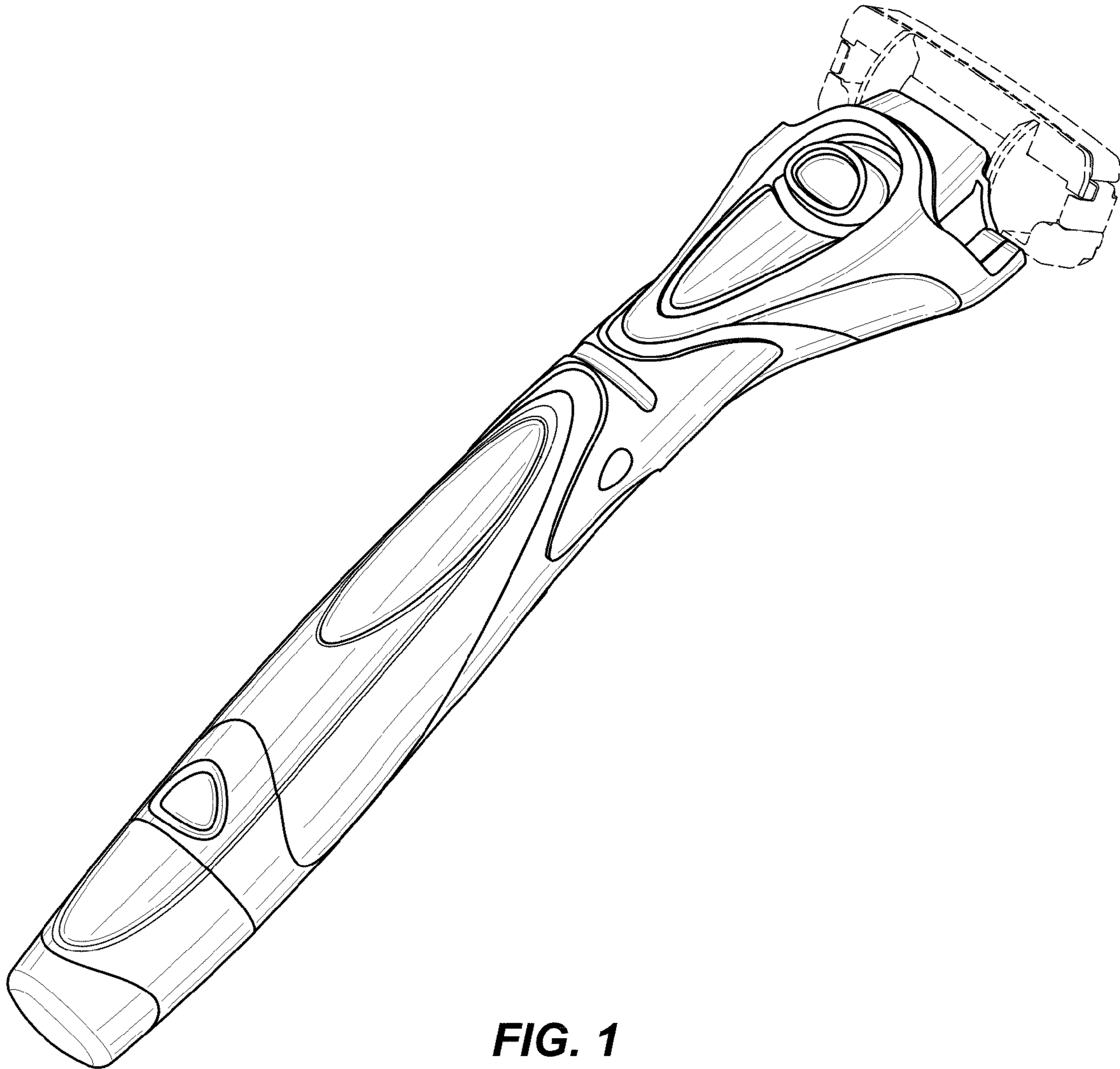


FIG. 1

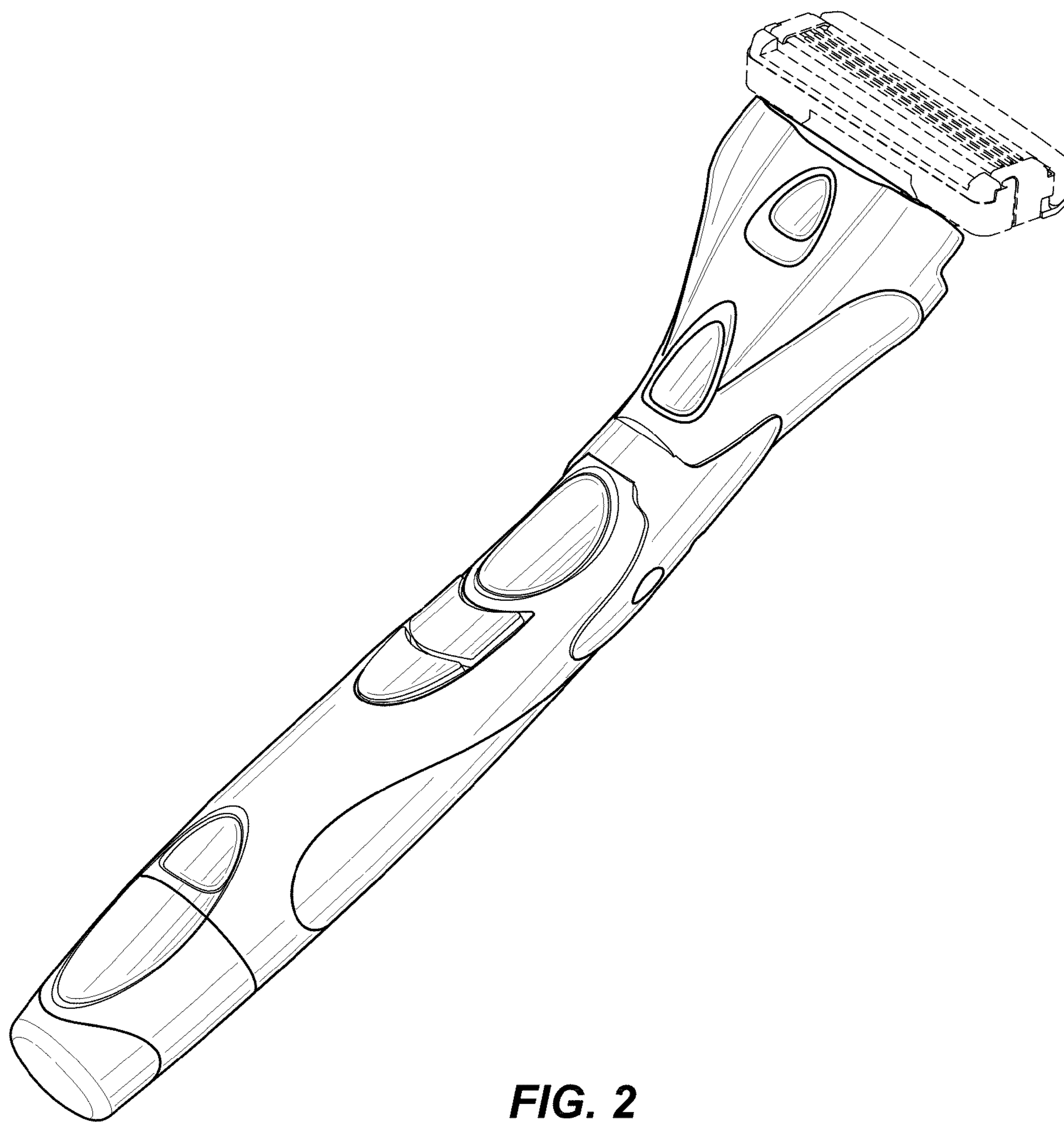


FIG. 2

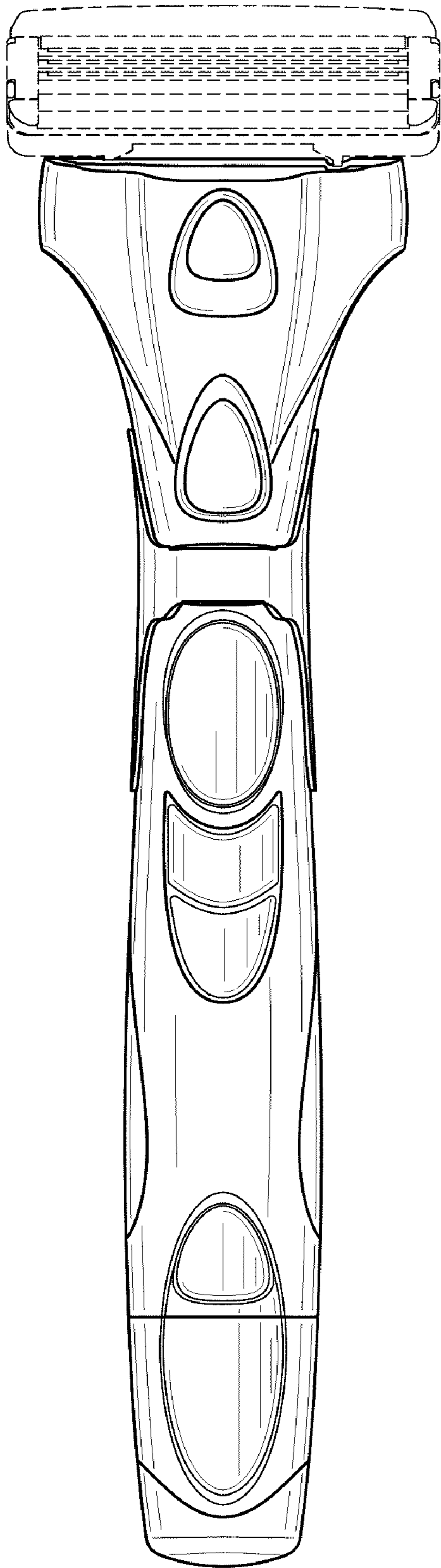


FIG. 3

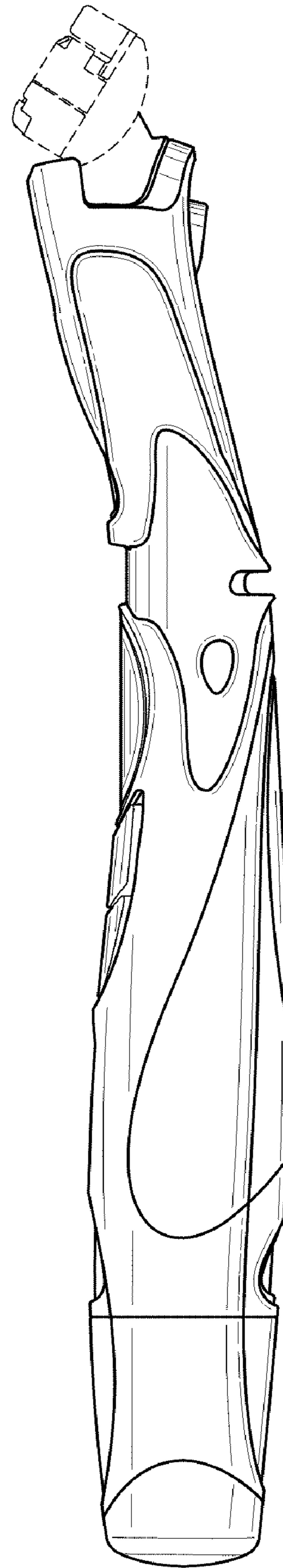


FIG. 4

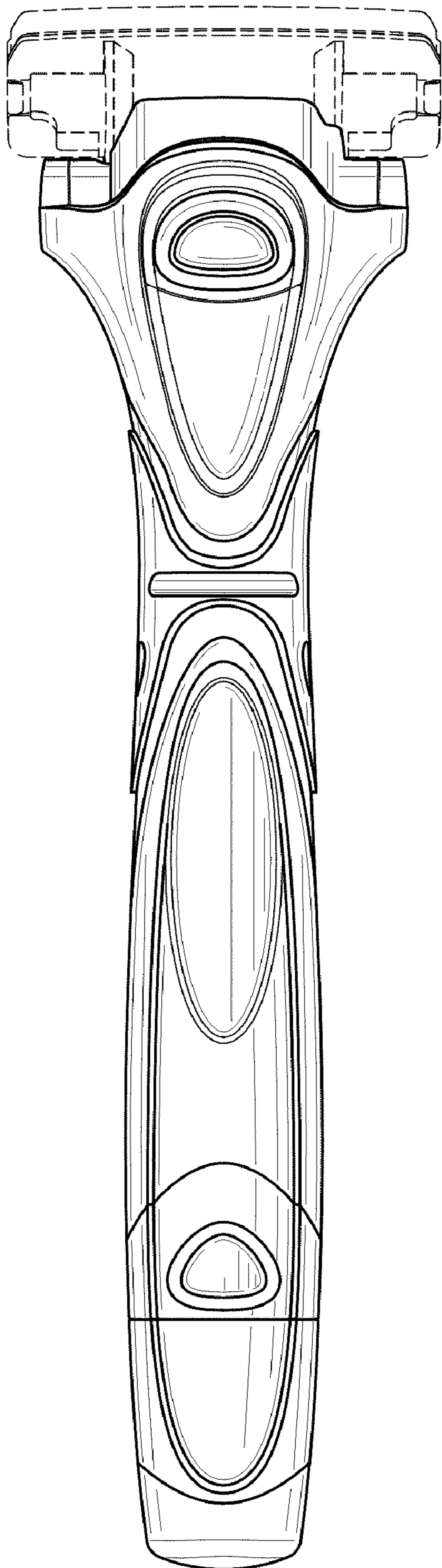


FIG. 5



FIG. 6

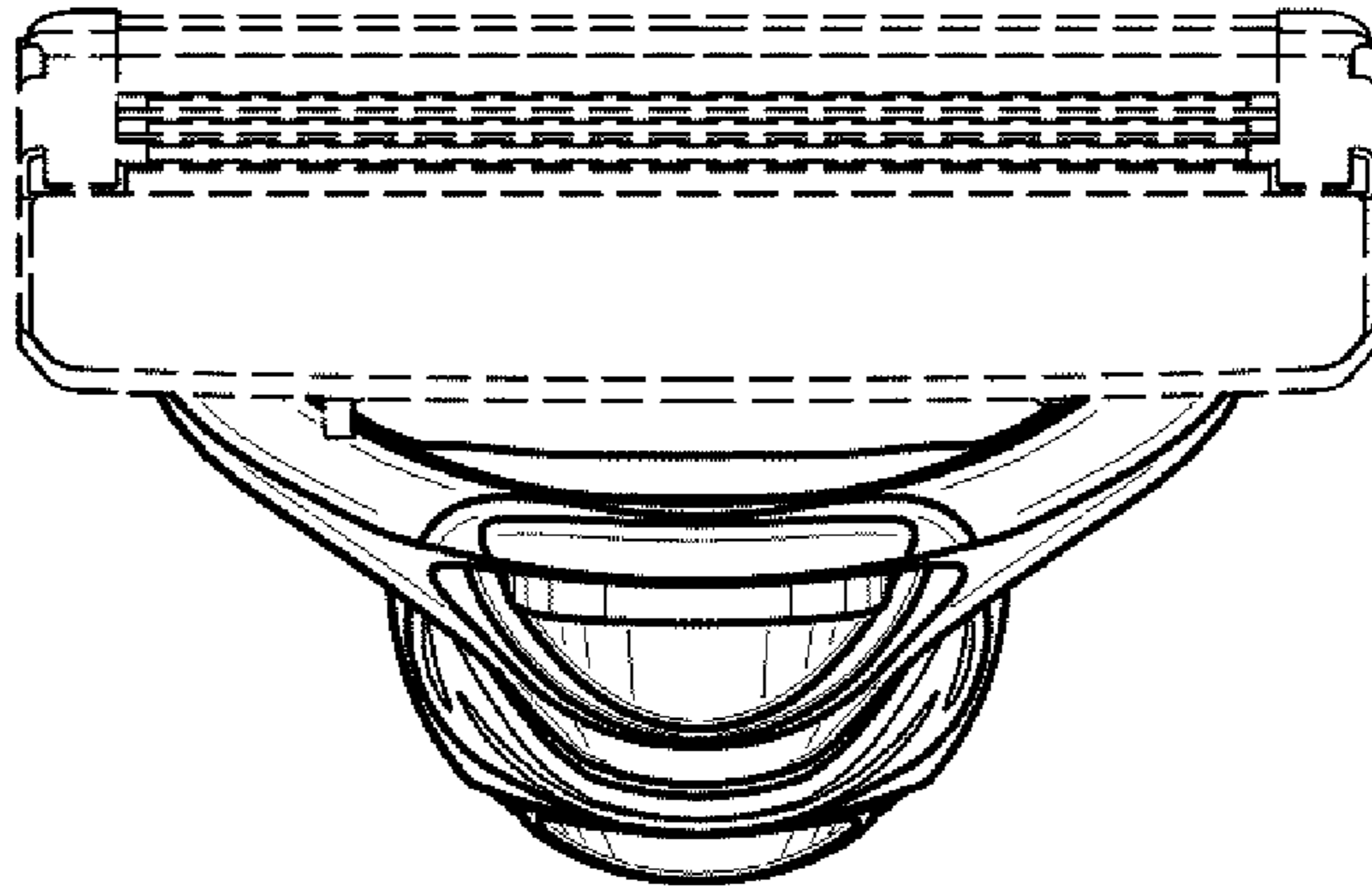


FIG. 7

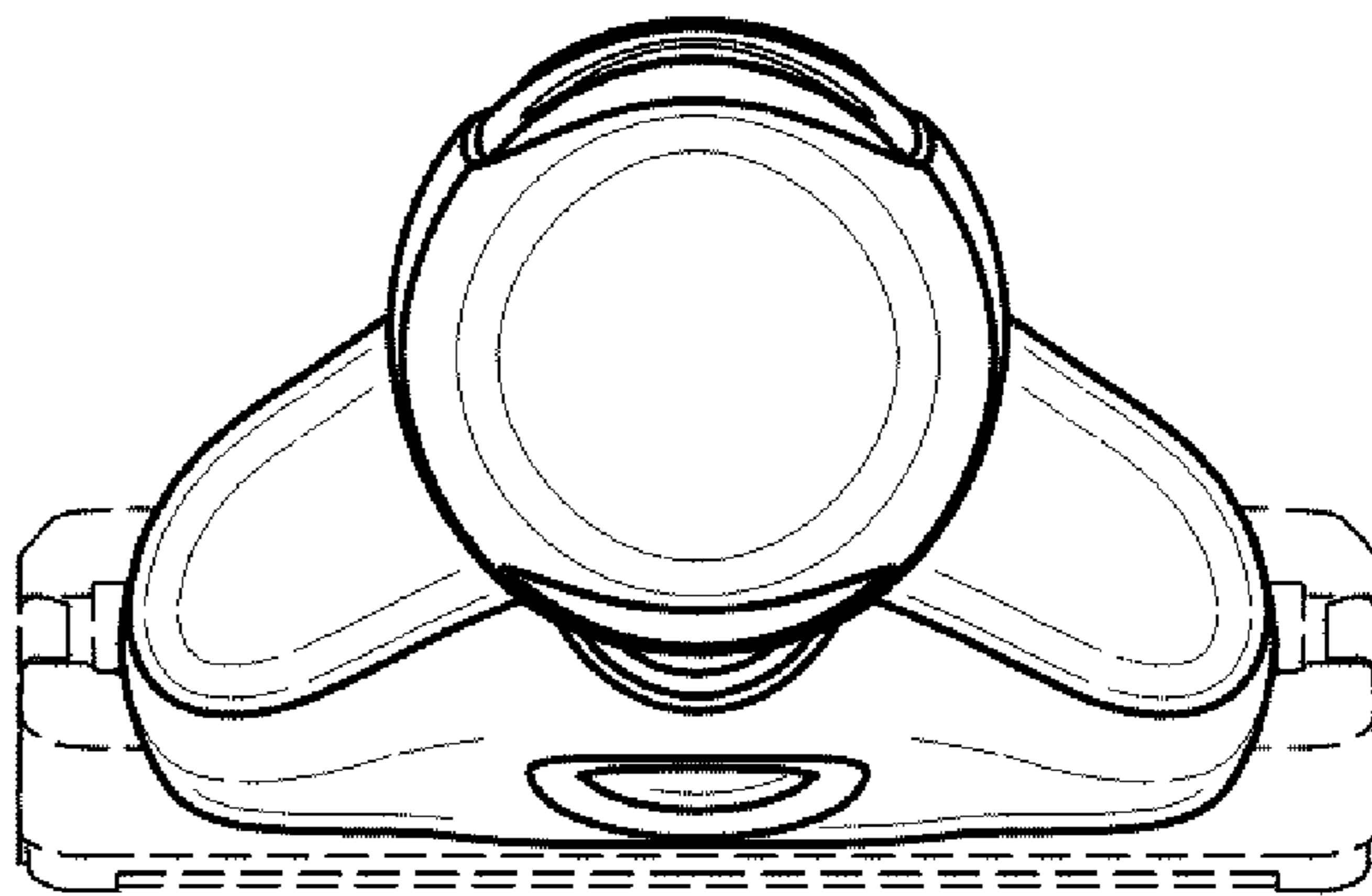


FIG. 8