



US00D645204S

(12) **United States Design Patent**  
**Platek**

(10) **Patent No.:** **US D645,204 S**

(45) **Date of Patent:** **\*\* Sep. 13, 2011**

(54) **HAIR REMOVAL DEVICE**

(76) Inventor: **Avner Platek**, Tel Aviv (IL)

(\*\*) Term: **14 Years**

(21) Appl. No.: **29/379,507**

(22) Filed: **Nov. 19, 2010**

(51) **LOC (9) Cl.** ..... **28-03**

(52) **U.S. Cl.** ..... **D28/44.1**

(58) **Field of Classification Search** ..... D28/44,  
D28/44.1, 49-54; 30/34.05, 34.1, 34.2, 43-43.92,  
30/526, 527, 44-45; 606/131, 133

See application file for complete search history.

(56) **References Cited**

U.S. PATENT DOCUMENTS

5,281,233	A	1/1994	Dolev	
5,976,157	A	11/1999	Yiu	
6,123,713	A	9/2000	Yiu	
6,159,222	A	12/2000	Yiu	
6,436,106	B2	8/2002	Yiu	
6,824,461	B1	11/2004	Dolev	
6,824,546	B1	11/2004	Yiu	
D499,842	S	12/2004	Yiu	
D509,626	S	9/2005	Yiu	
D556,380	S *	11/2007	Long et al.	D28/53
D598,165	S	8/2009	Platek	
7,597,696	B2	10/2009	Poran	
D611,198	S	3/2010	Platek	
D626,693	S *	11/2010	Harbeke	D28/53
D628,744	S *	12/2010	Goetschi	D28/53
2005/0187563	A1	8/2005	Yiu	
2008/0187563	A1	8/2008	Levy	
2009/0182349	A1	7/2009	Poran	

\* cited by examiner

*Primary Examiner* — Jennifer Rivard

(74) *Attorney, Agent, or Firm* — Foley & Lardner LLP

(57) **CLAIM**

I claim the ornamental design for a hair removal device, as shown and described.

**DESCRIPTION**

FIG. 1 is a perspective view from above of an embodiment of the claimed design;

FIG. 2 is a perspective view from below of the claimed design of FIG. 1;

FIG. 3 is a top view of the claimed design of FIG. 1;

FIG. 4 is a bottom view of the claimed design of FIG. 1;

FIG. 5 is a left side view of the claimed design of FIG. 1;

FIG. 6 is a right side view of the claimed design of FIG. 1;

FIG. 7 is a front view of the claimed design of FIG. 1;

FIG. 8 is a rear view of the claimed design of FIG. 1;

FIG. 9 is a perspective view from above of another embodiment of the claimed design;

FIG. 10 is a perspective view from below of the claimed design of FIG. 9;

FIG. 11 is a top view of the claimed design of FIG. 9;

FIG. 12 is a bottom view of the claimed design of FIG. 9;

FIG. 13 is a left side view of the claimed design of FIG. 9;

FIG. 14 is a right side view of the claimed design of FIG. 9;

FIG. 15 is a front view of the claimed design of FIG. 9;

FIG. 16 is a rear view of the claimed design of FIG. 9;

FIG. 17 is a perspective view from above of another embodiment of the claimed design;

FIG. 18 is a perspective view from below of the claimed design of FIG. 17;

FIG. 19 is a top view of the claimed design of FIG. 17;

FIG. 20 is a bottom view of the claimed design of FIG. 17;

FIG. 21 is a left side view of the claimed design of FIG. 17;

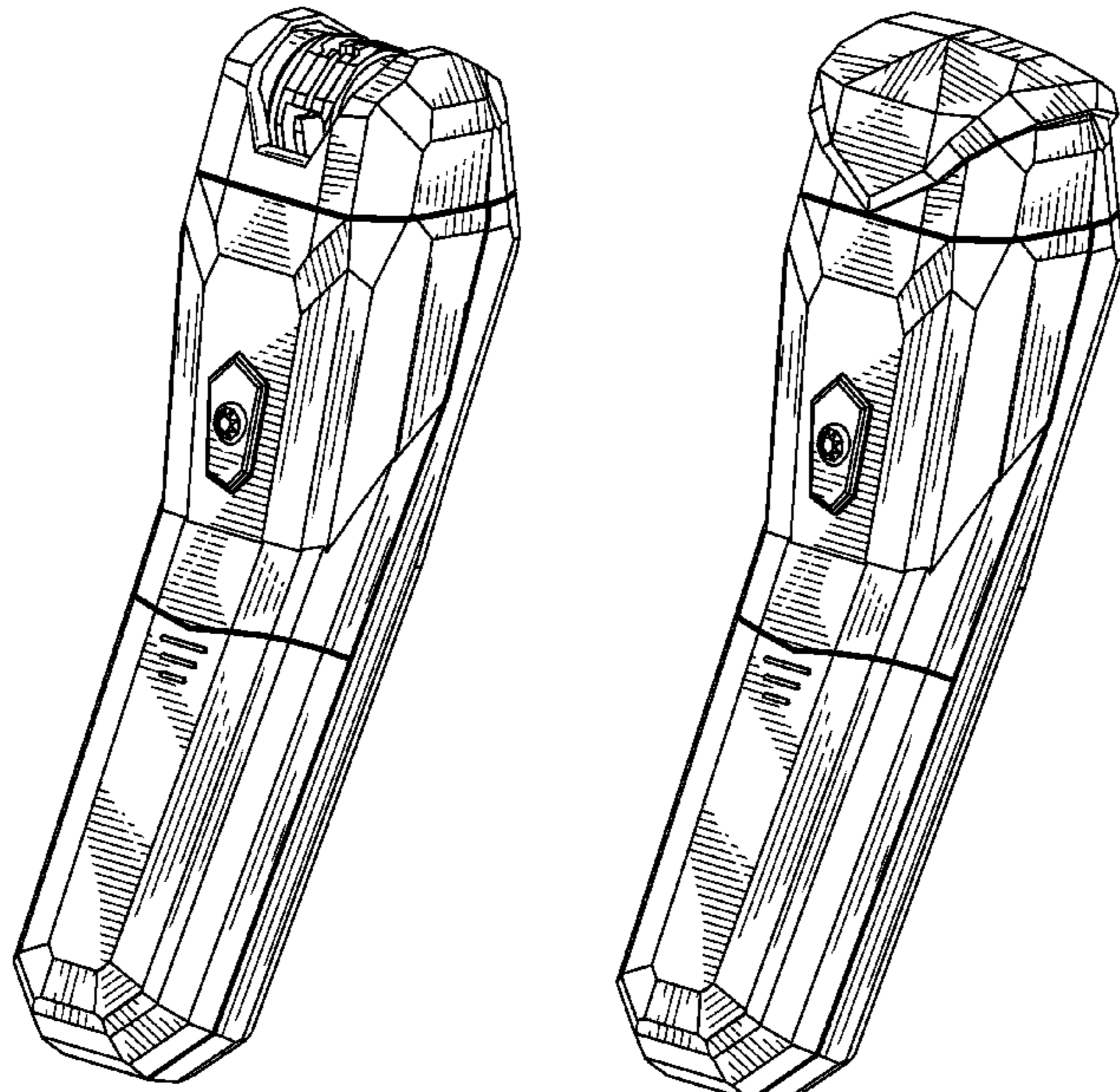
FIG. 22 is a right side view of the claimed design of FIG. 17;

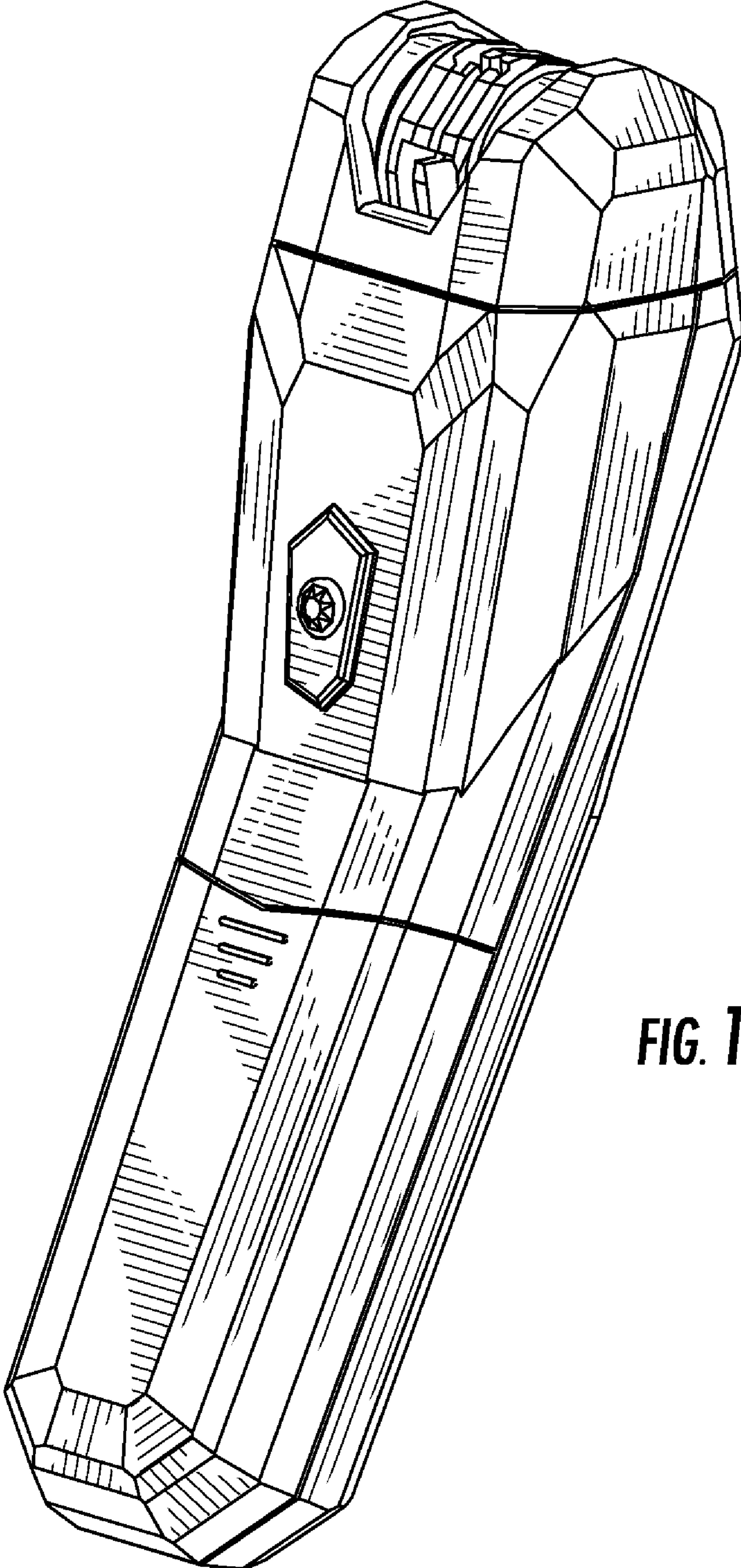
FIG. 23 is a front view of the claimed design of FIG. 17; and,

FIG. 24 is a rear view of the claimed design of FIG. 17.

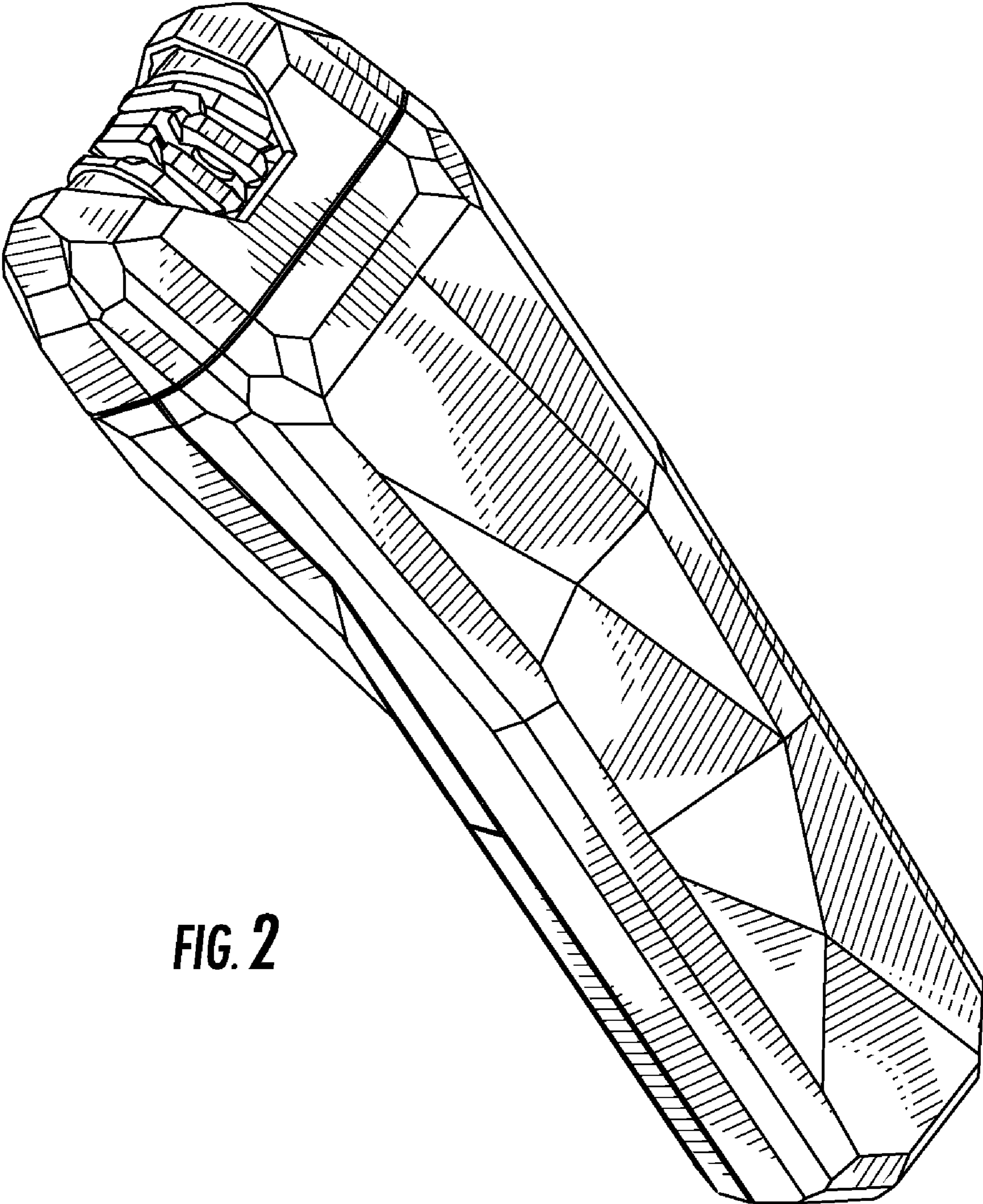
The ornamental design which is claimed is shown in solid lines in the drawings. The broken lines in the drawings are for illustrative purposes only and form no part of the claimed design.

**1 Claim, 15 Drawing Sheets**

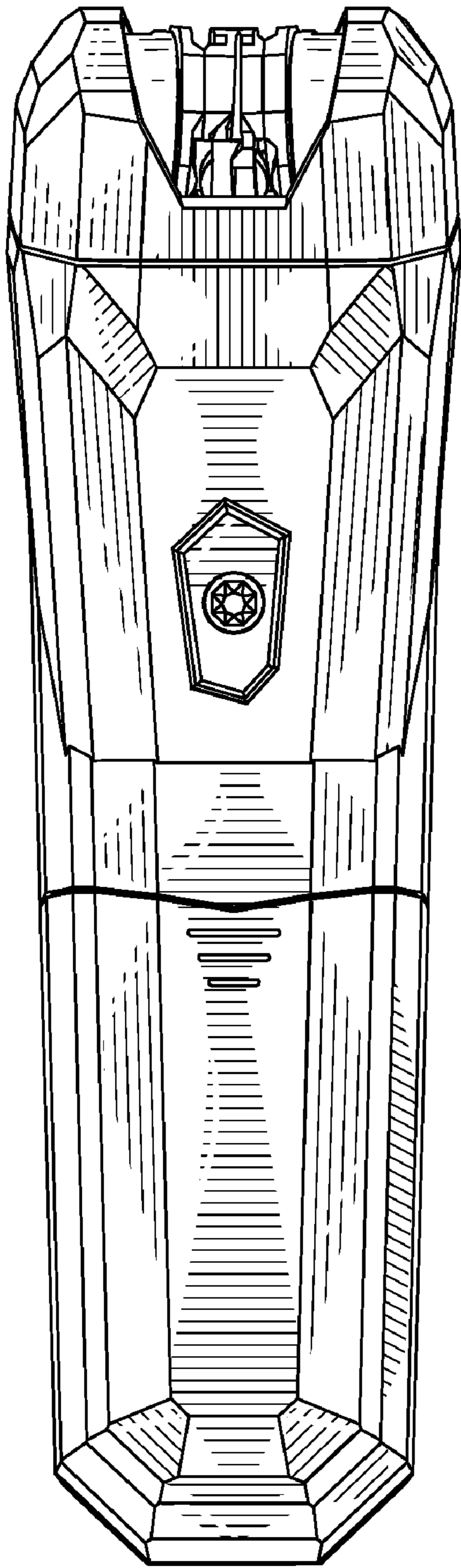




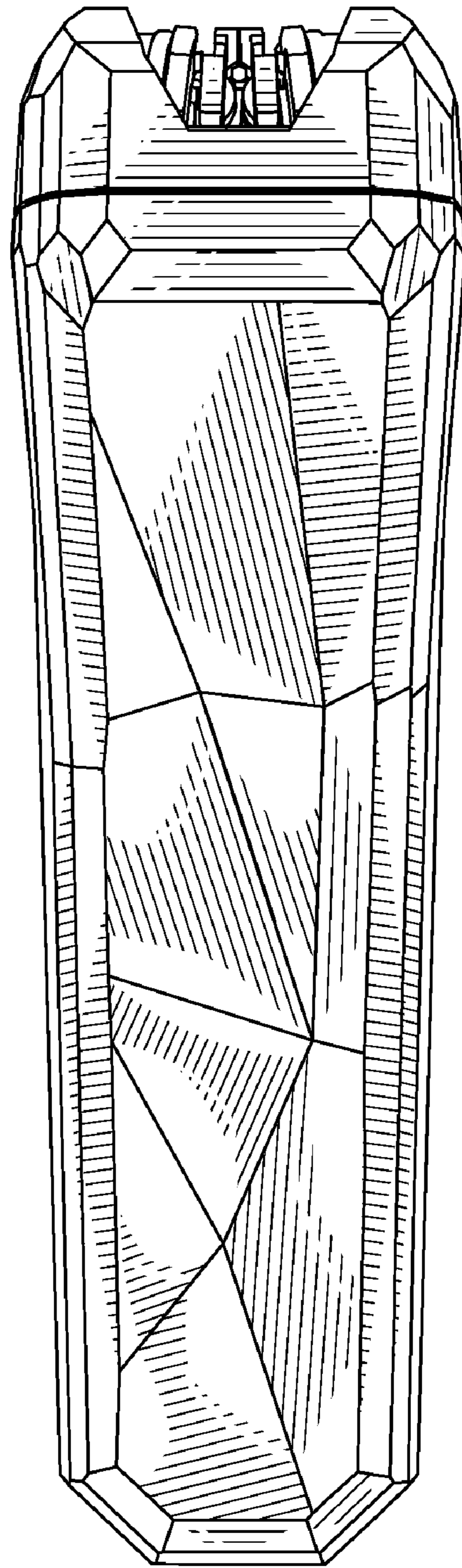
**FIG. 1**



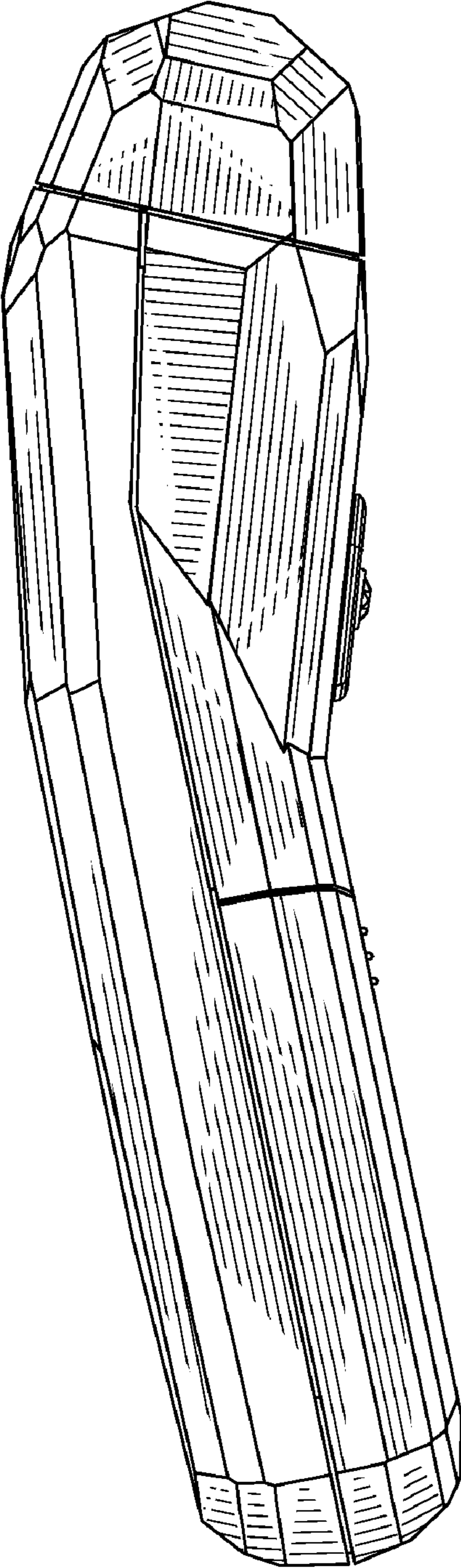
**FIG. 2**



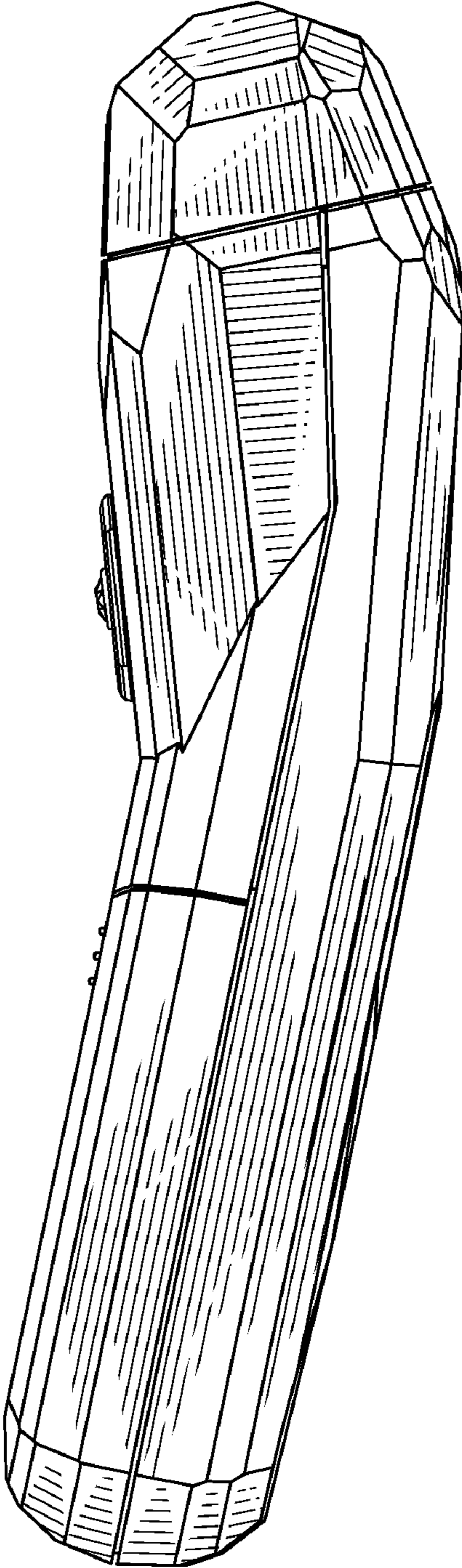
**FIG. 3**



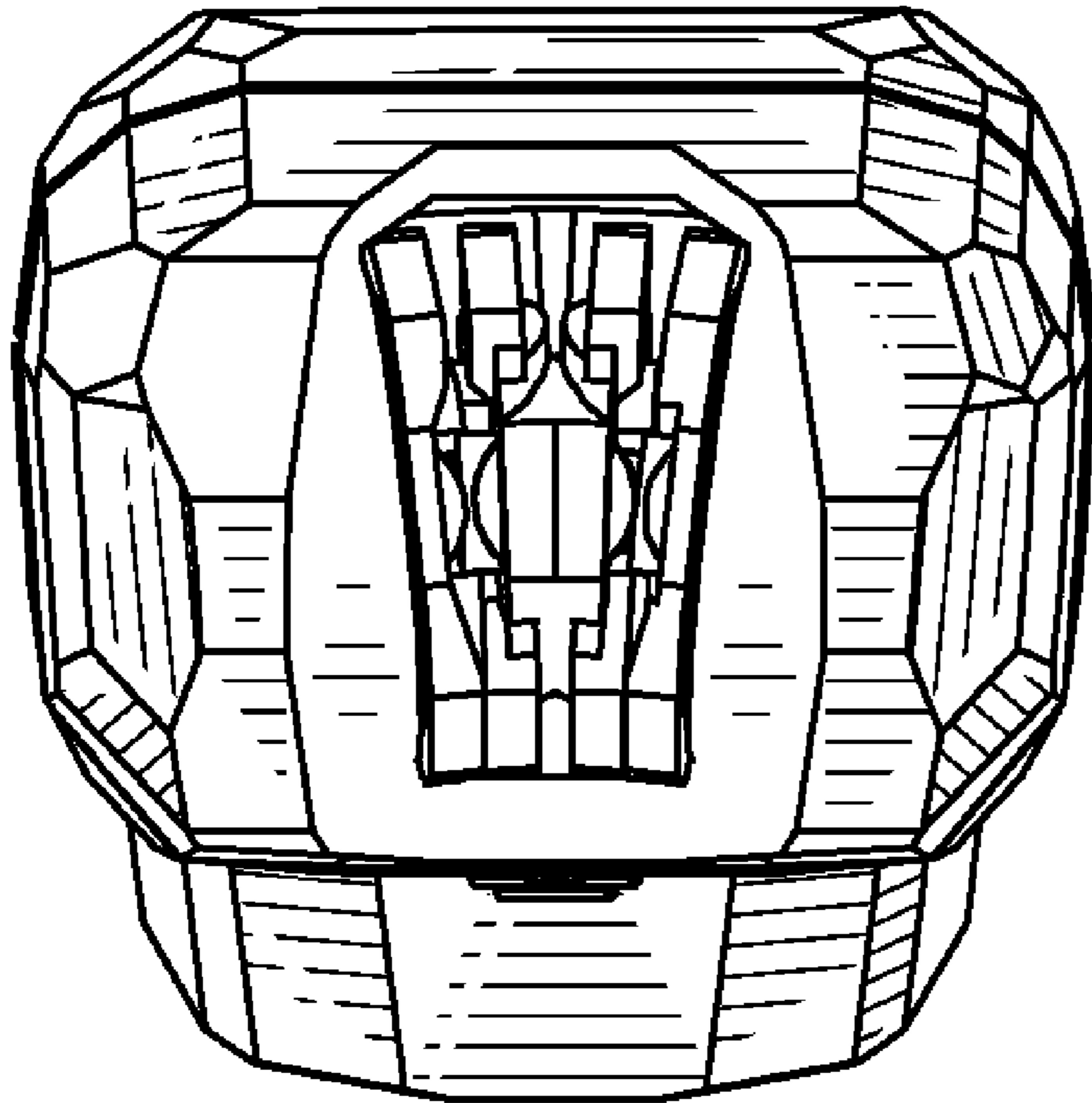
**FIG. 4**



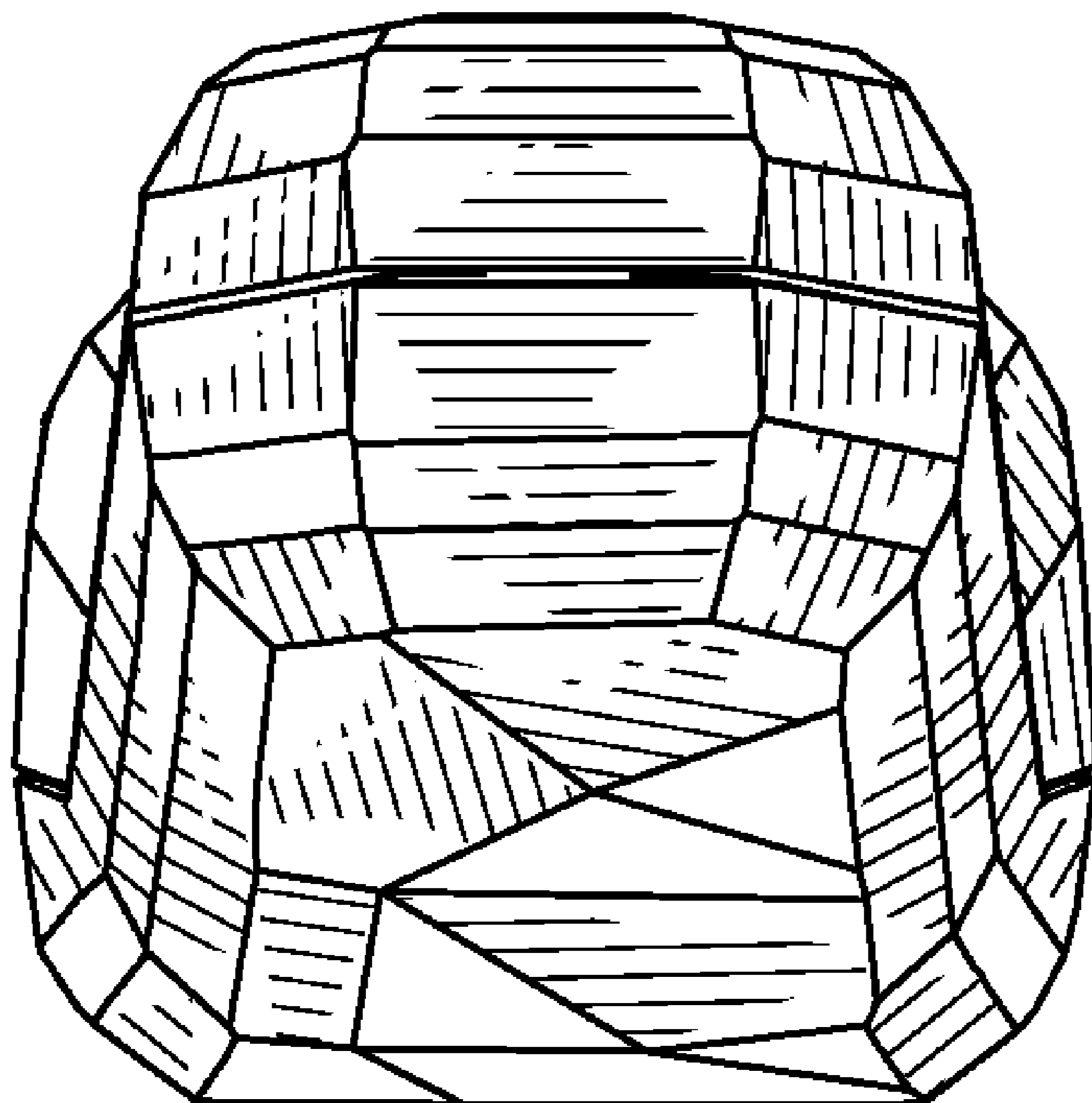
**FIG. 5**



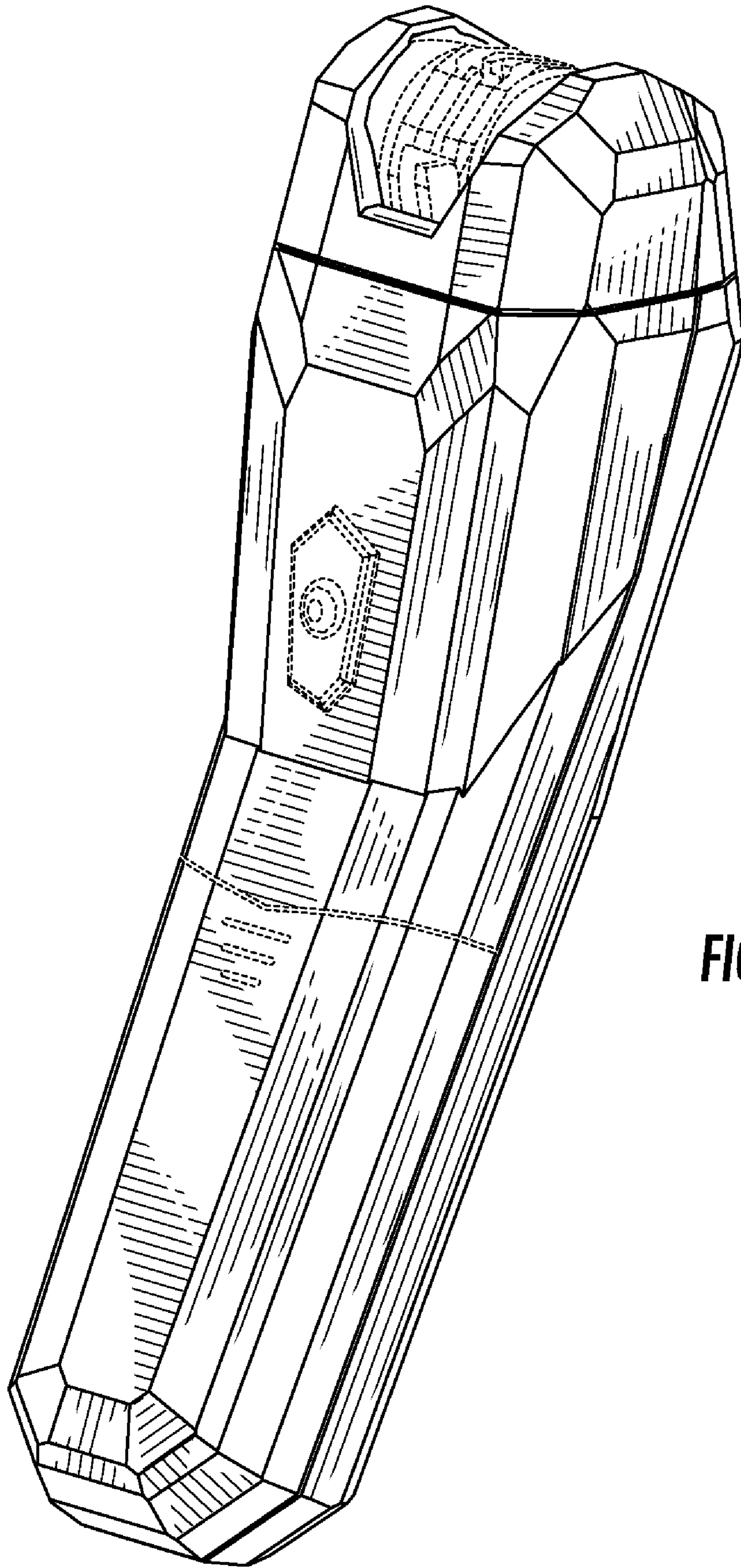
**FIG. 6**



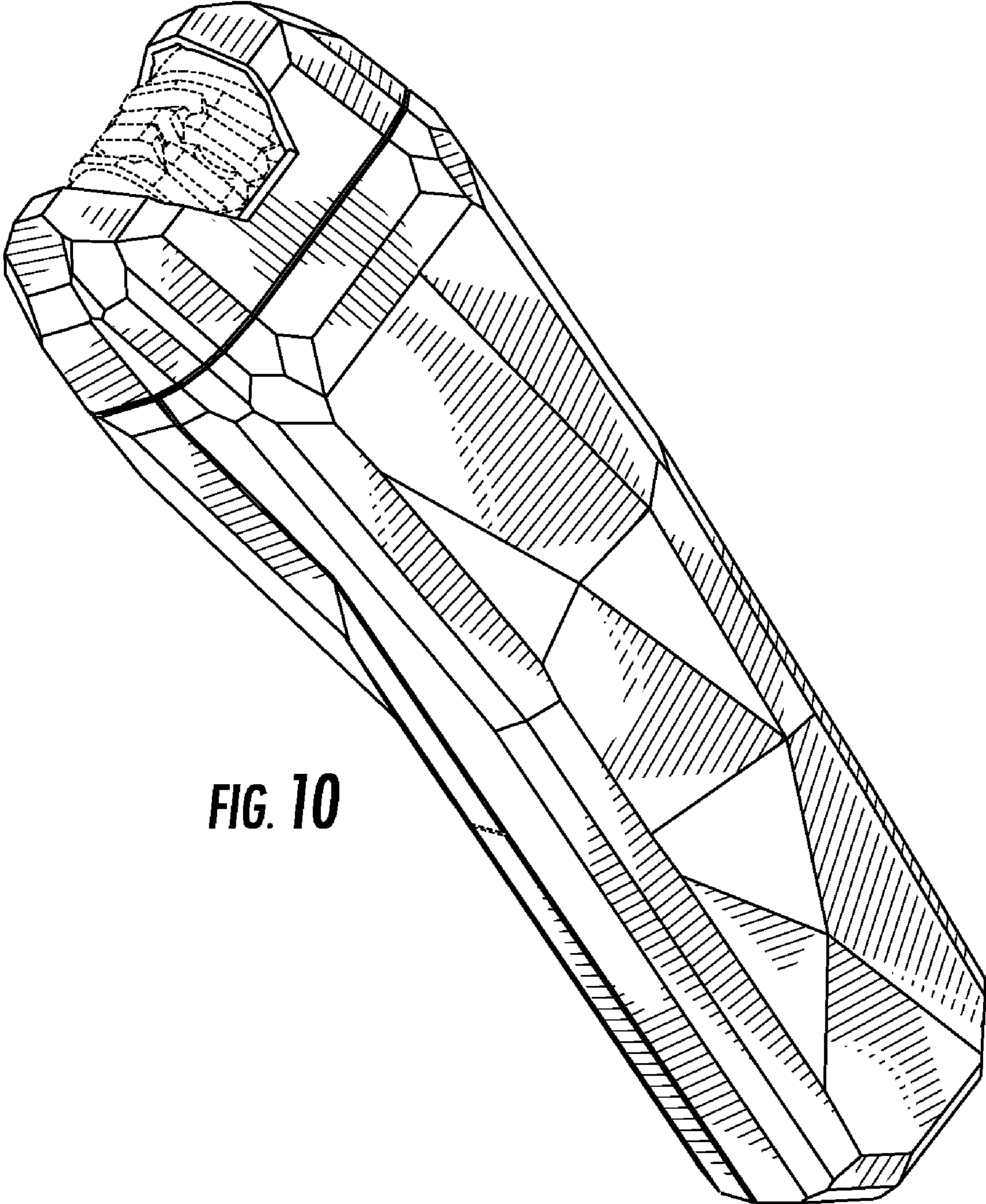
**FIG. 7**



**FIG. 8**

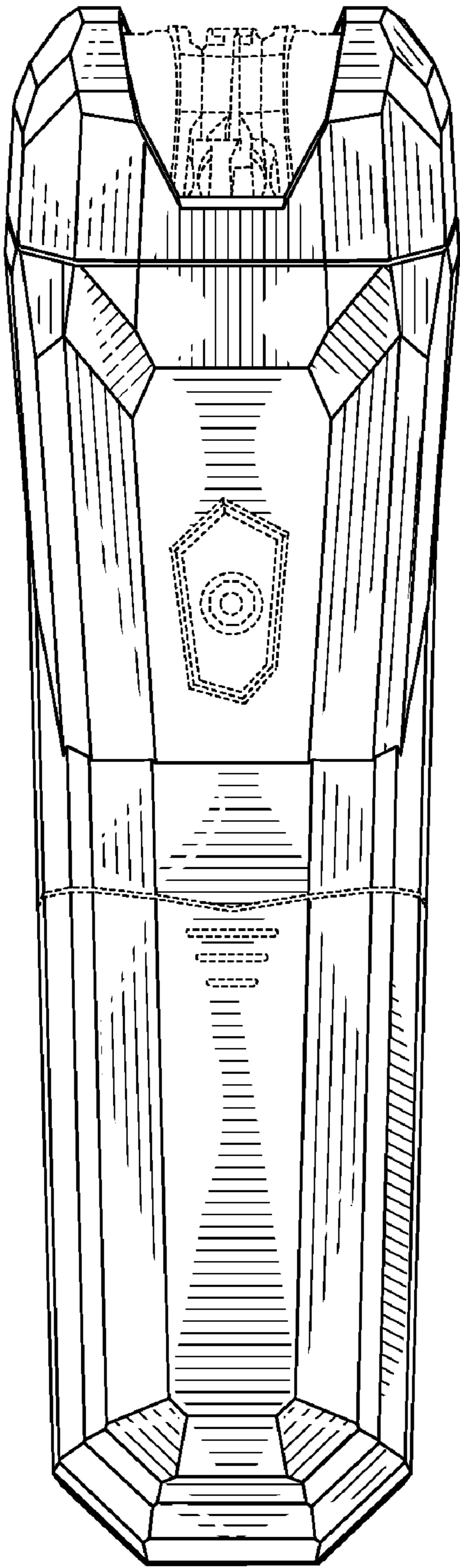


**FIG. 9**

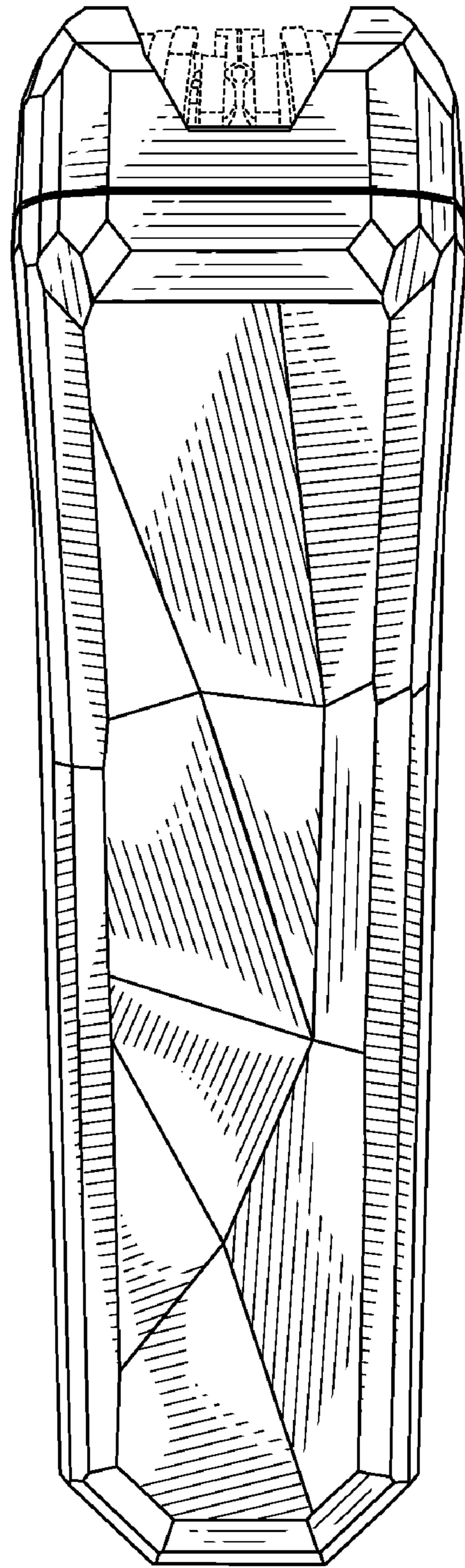


**FIG. 10**

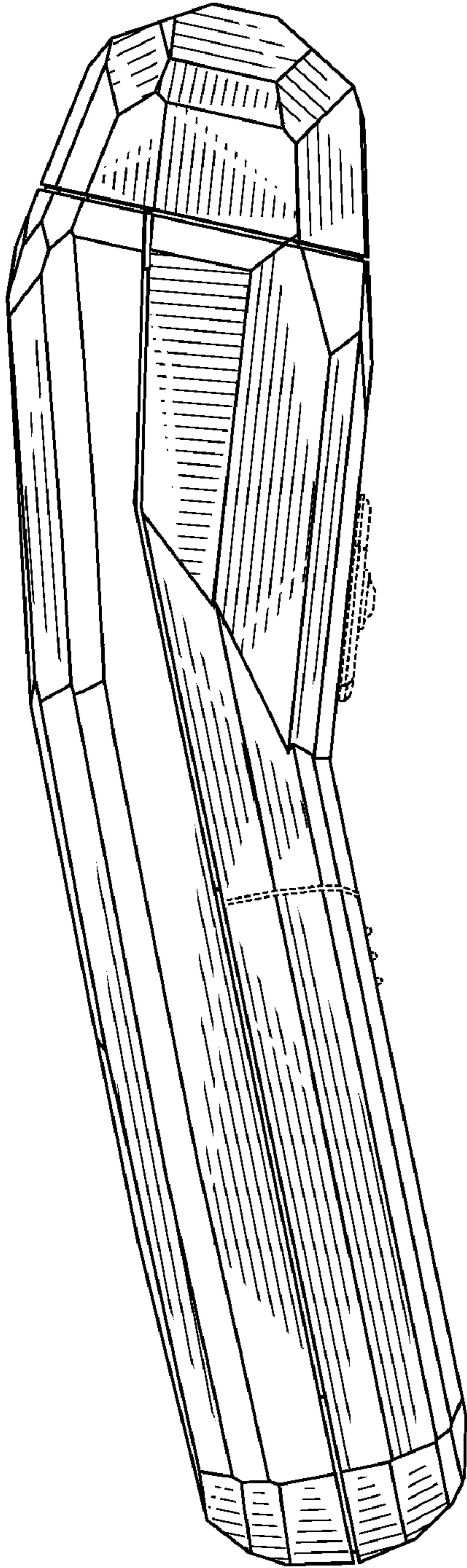




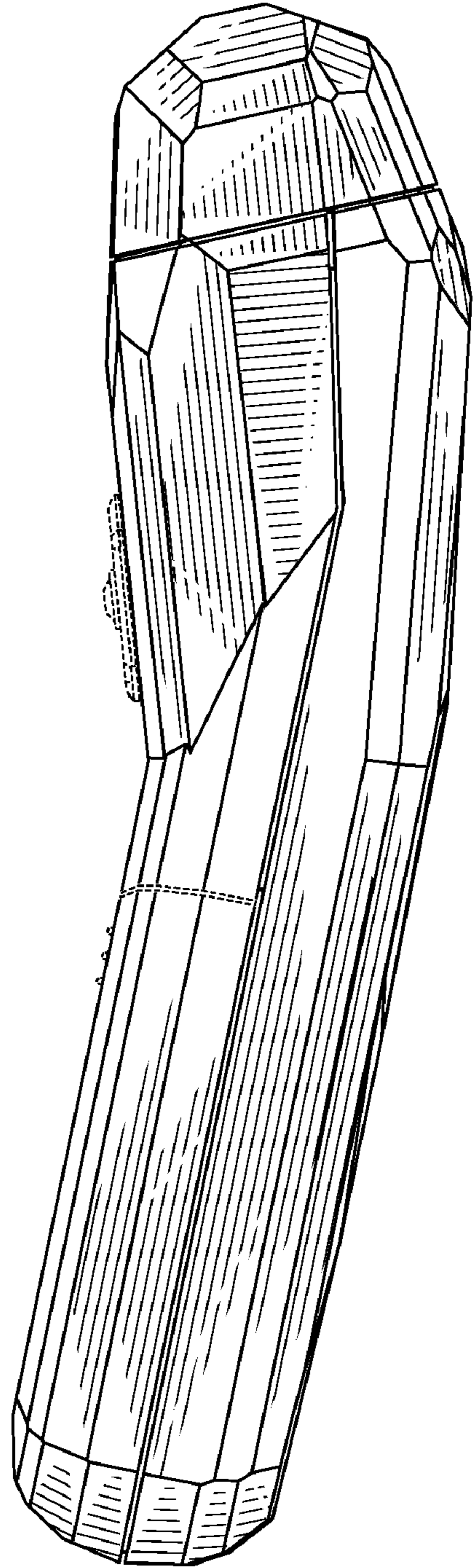
**FIG. 11**



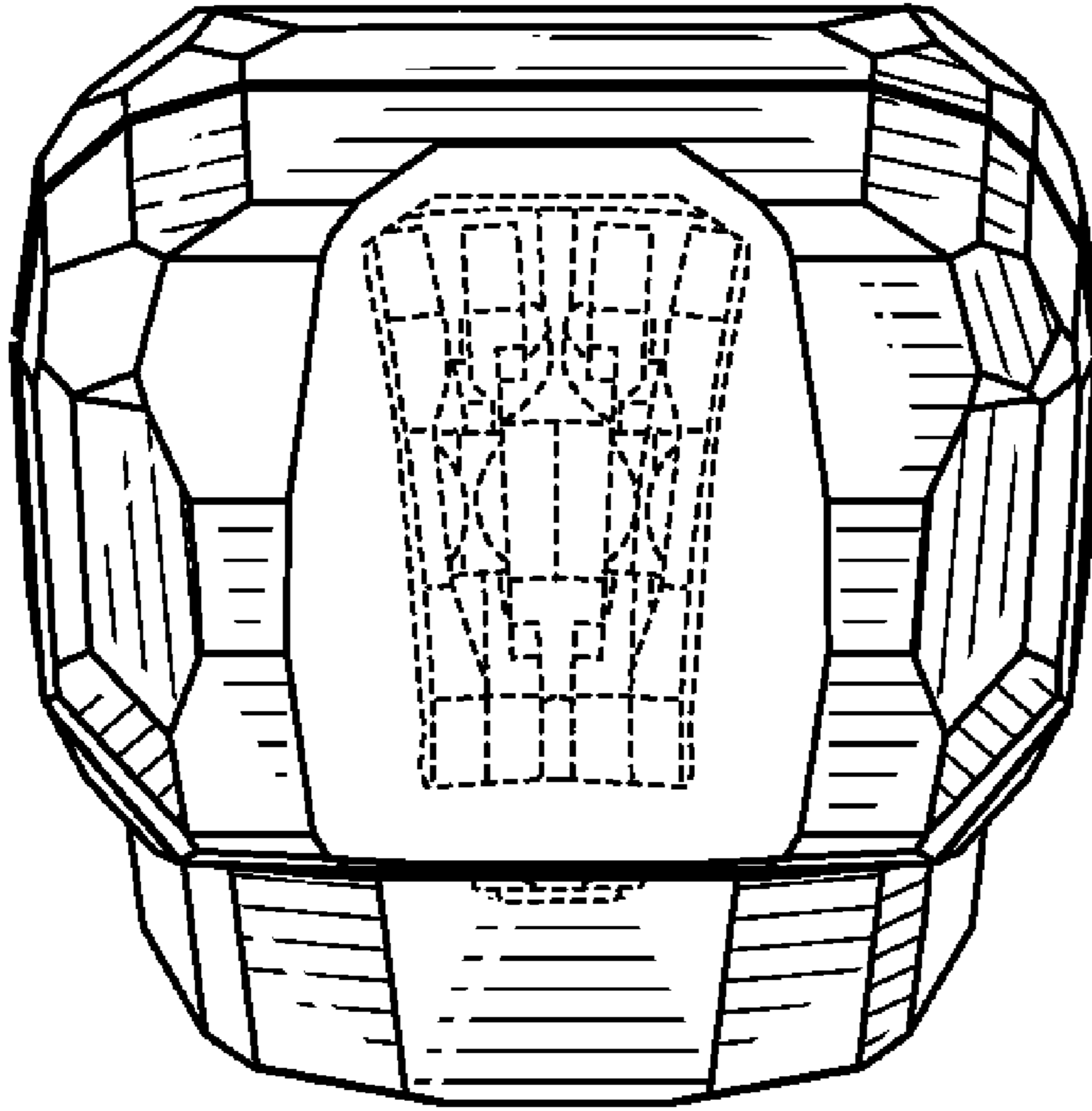
**FIG. 12**



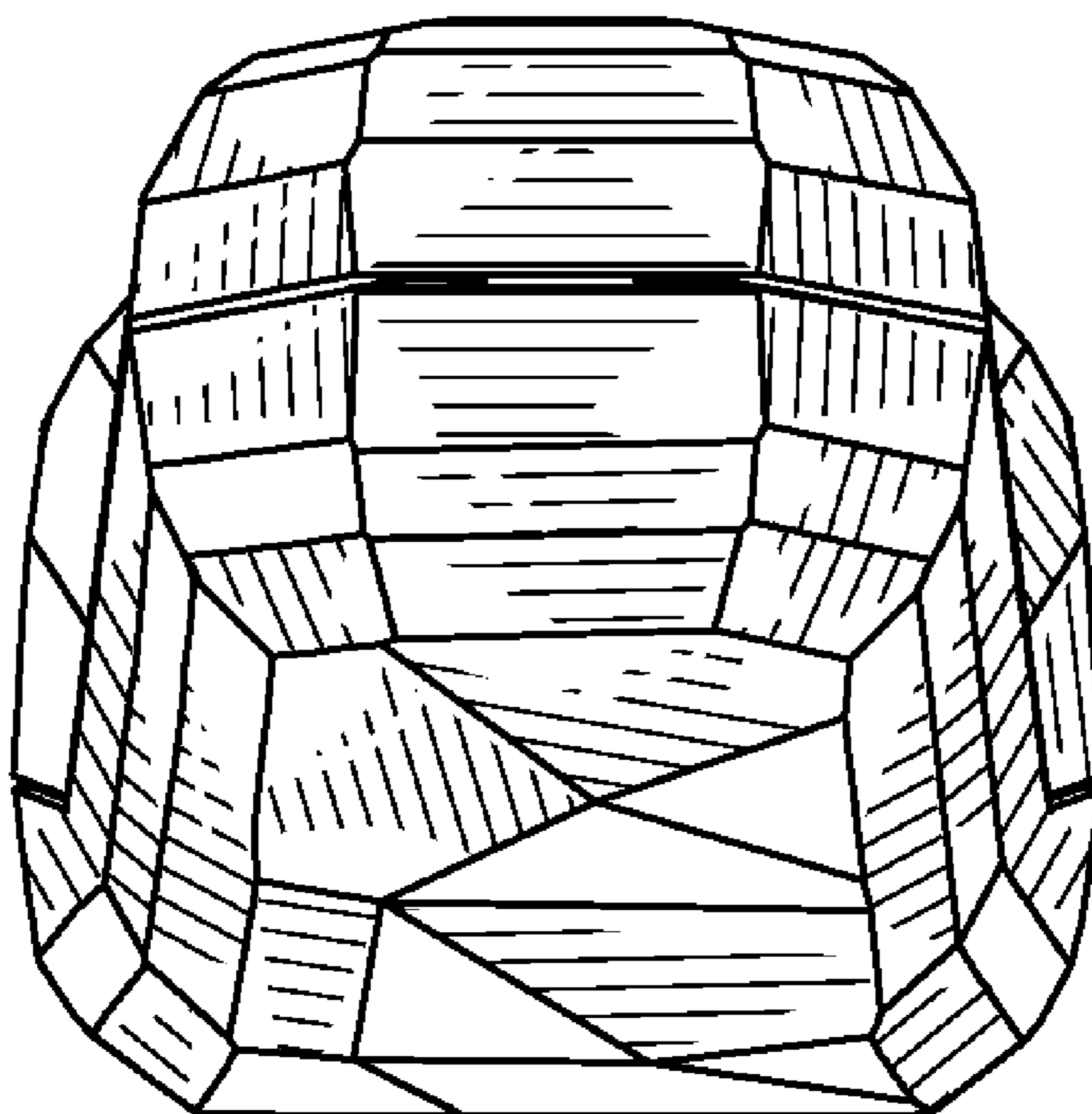
**FIG. 13**



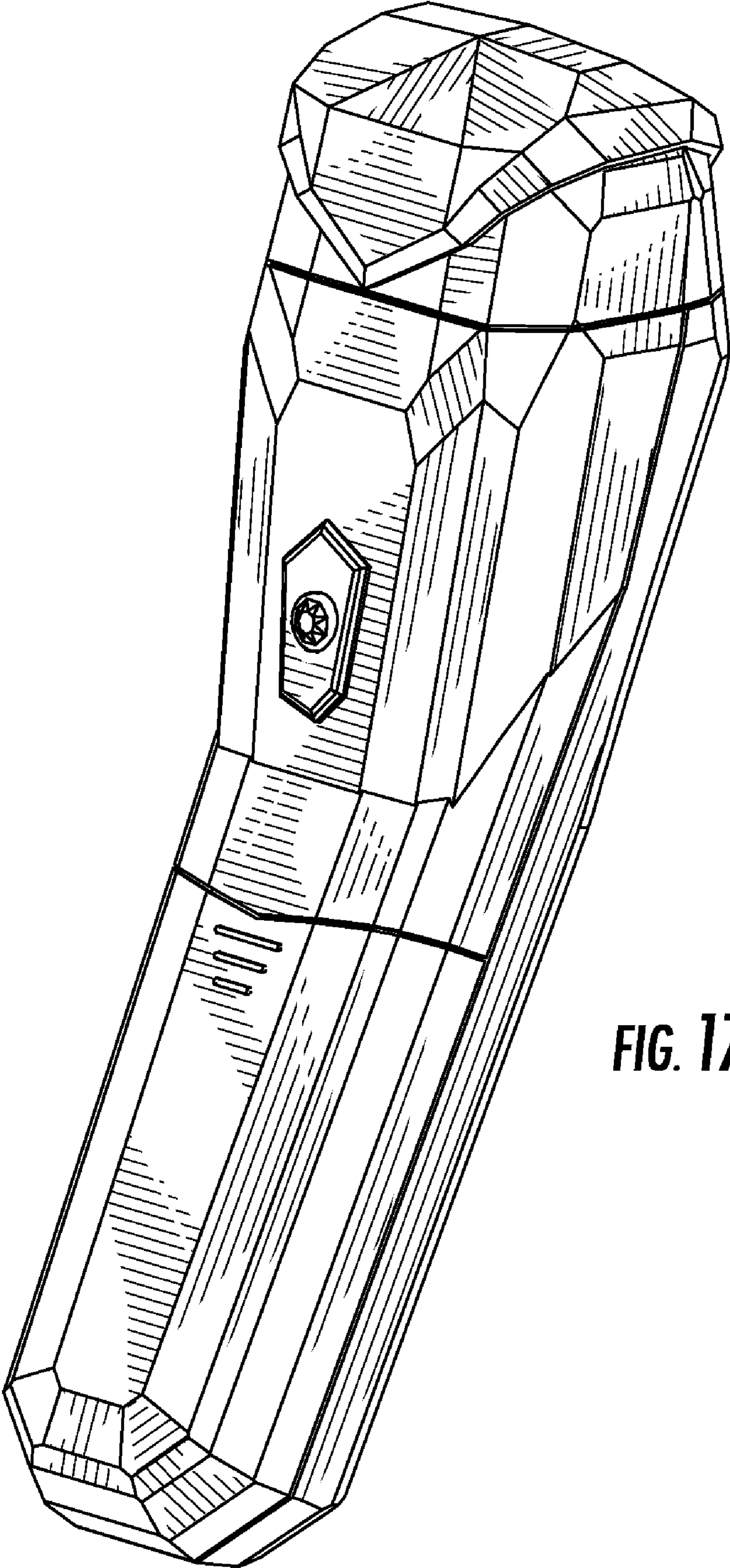
**FIG. 14**



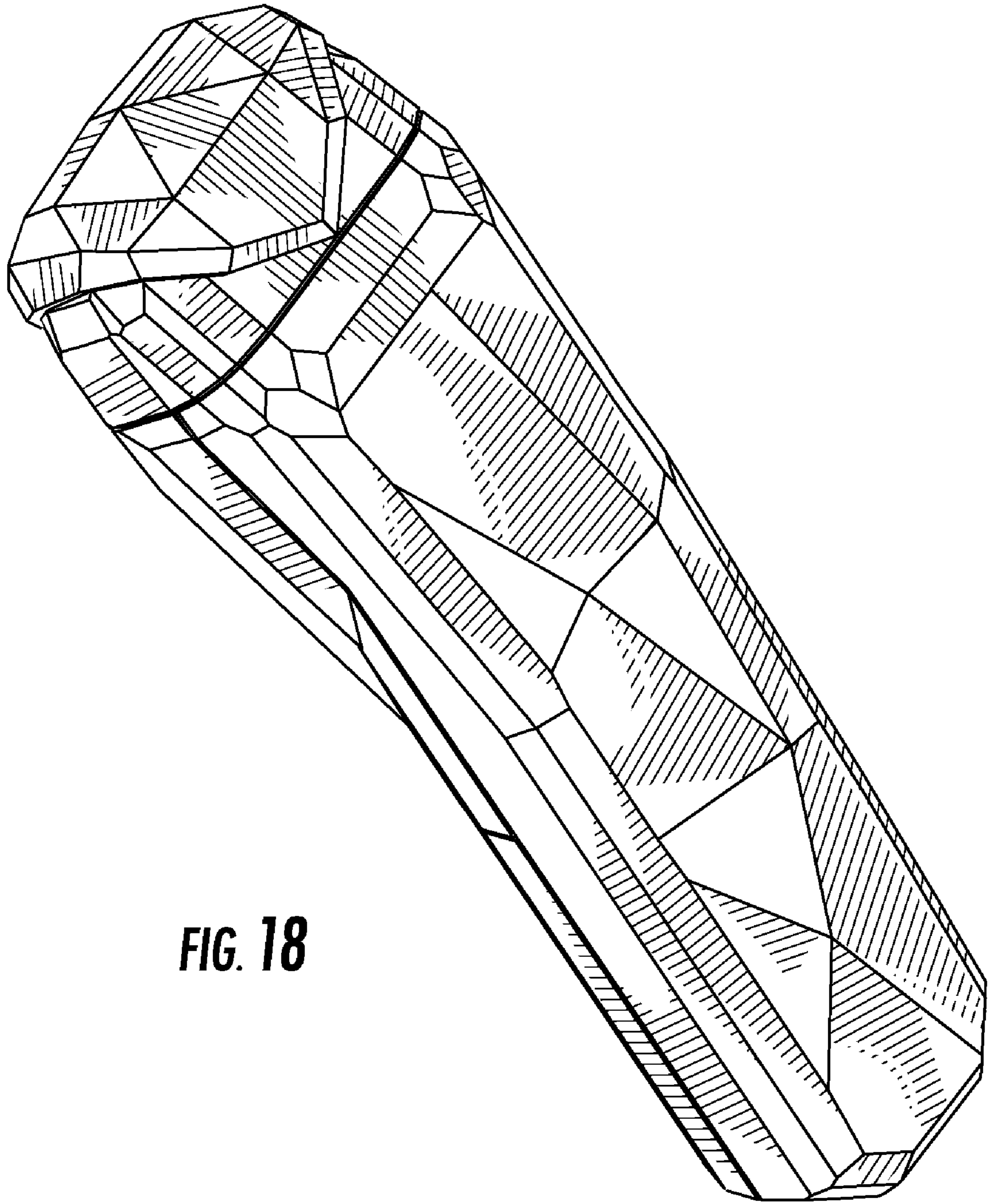
**FIG. 15**



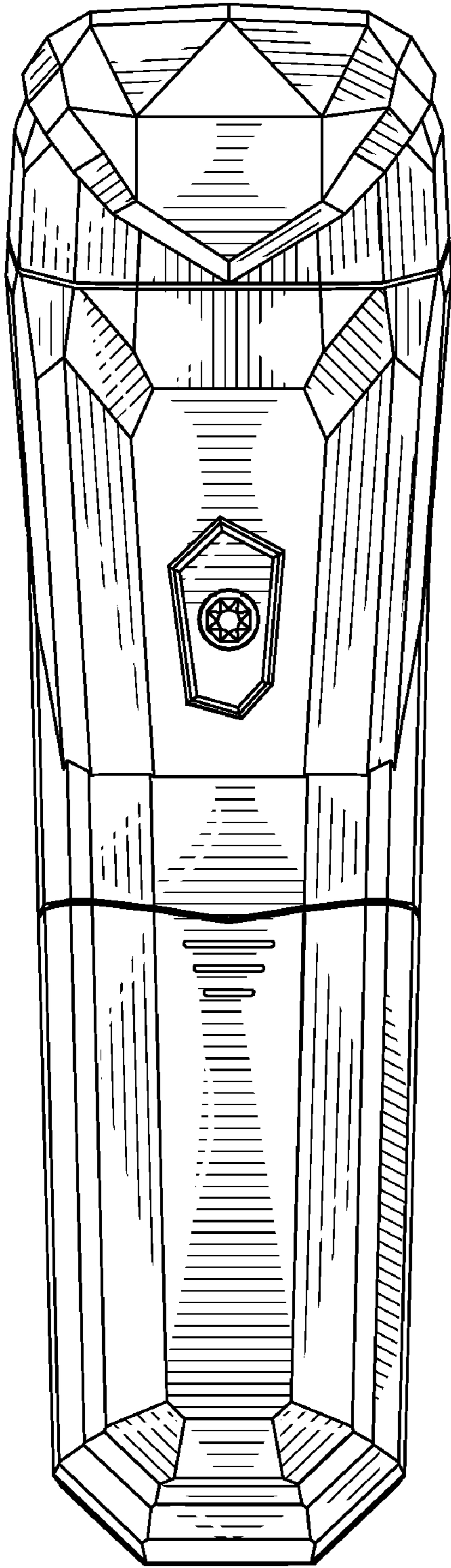
**FIG. 16**



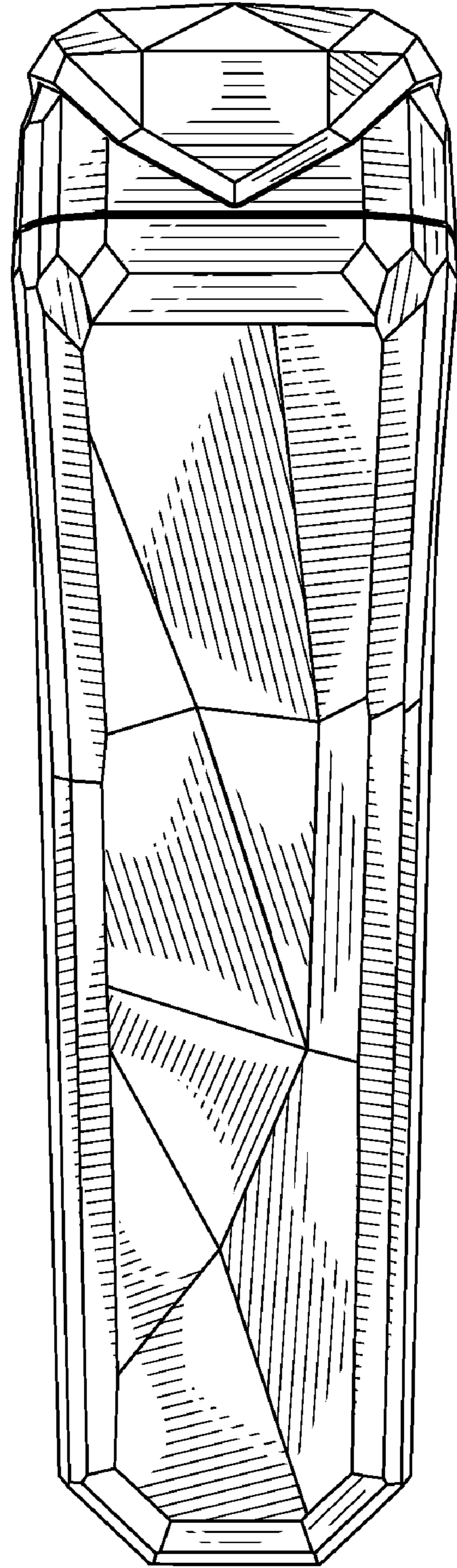
**FIG. 17**



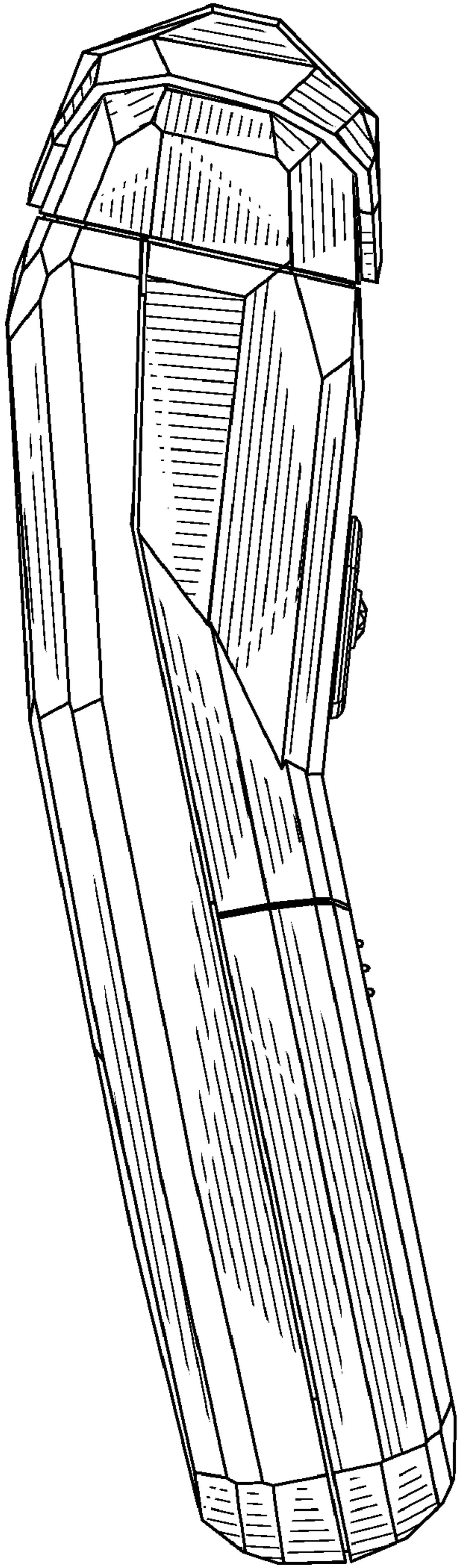
**FIG. 18**



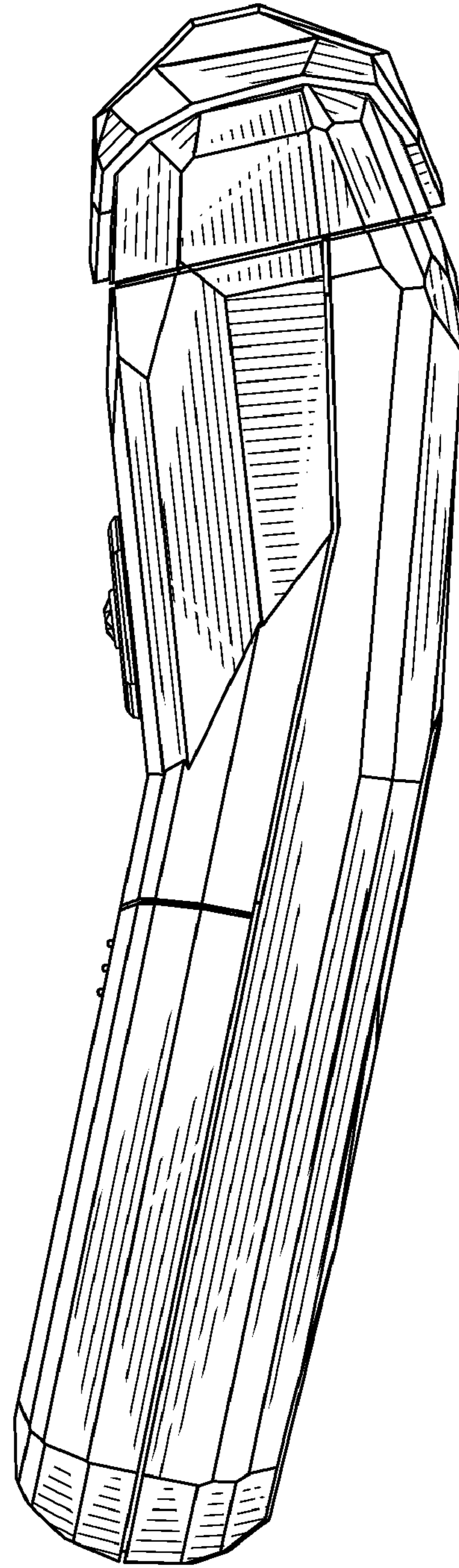
**FIG. 19**



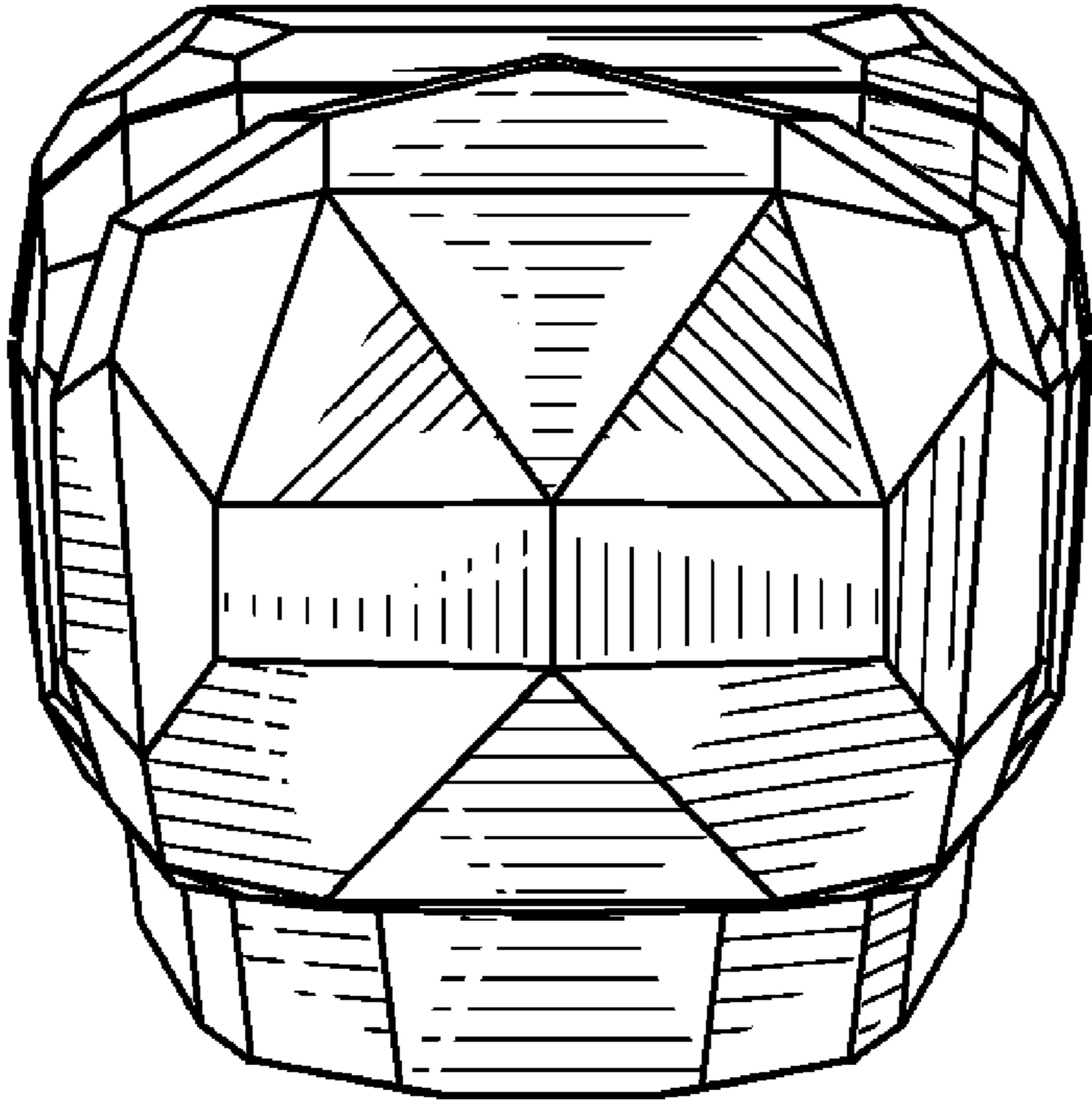
**FIG. 20**



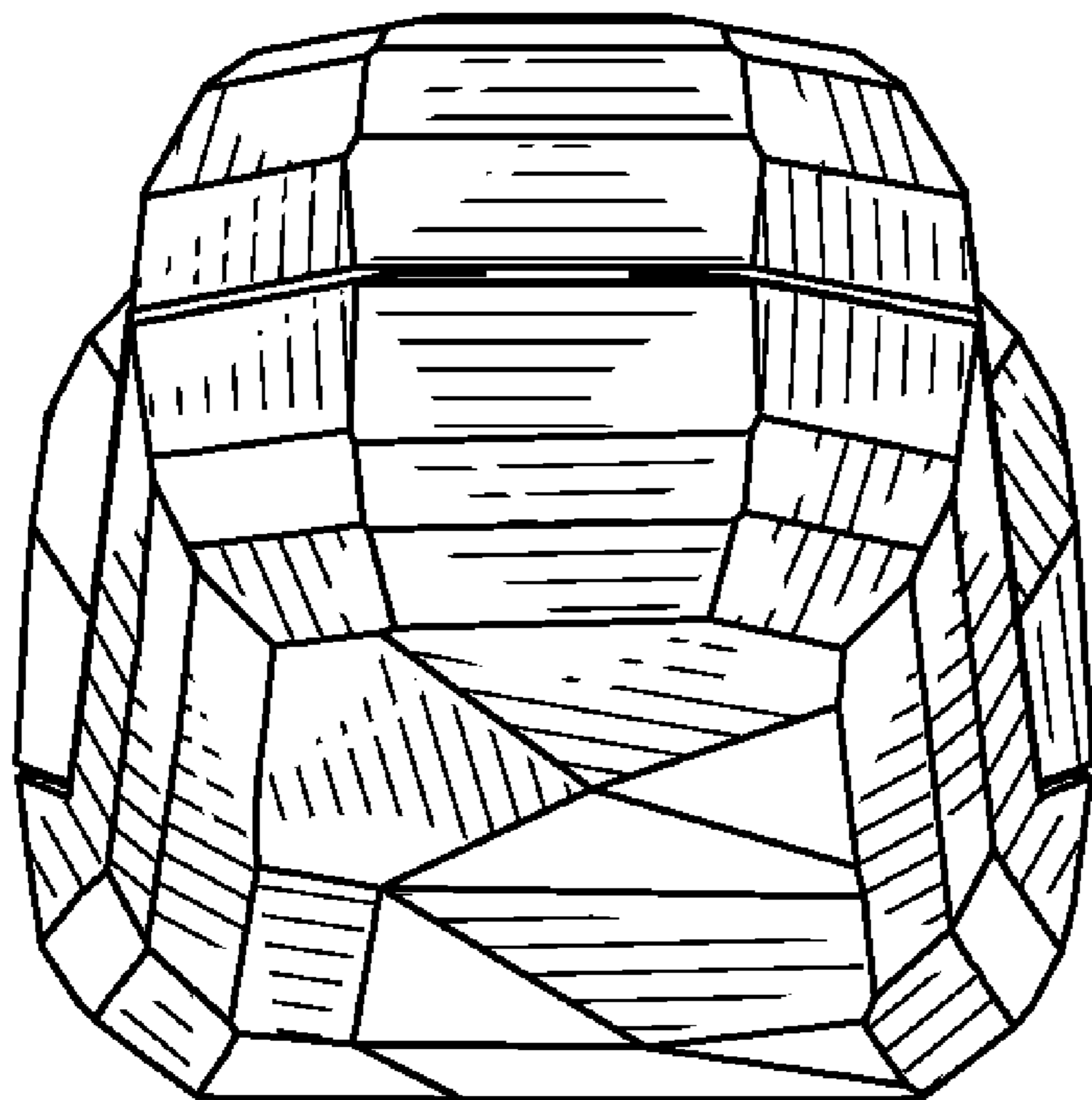
**FIG. 21**



**FIG. 22**



**FIG. 23**



**FIG. 24**