



US00D645200S

(12) **United States Design Patent**
Desvall

(10) **Patent No.:** **US D645,200 S**

(45) **Date of Patent:** **** Sep. 13, 2011**

(54) **WATER PIPE**

FOREIGN PATENT DOCUMENTS

(75) **Inventor:** **Emile Desvall**, Stockholm (SE)

DE 200 11 038 U1 6/2000
SE 533 490 C2 10/2010

(73) **Assignee:** **DE Industry & Engineering AB**,
Stockholm (SE)

* cited by examiner

(**) **Term:** **14 Years**

Primary Examiner — Jennifer Rivard

(74) *Attorney, Agent, or Firm* — Hiscock & Barclay, LLP

(21) **Appl. No.:** **29/364,107**

(57) **CLAIM**

An ornamental design for a water pipe, as shown and described.

(22) **Filed:** **Jun. 18, 2010**

(51) **LOC (9) Cl.** **27-02**

(52) **U.S. Cl.** **D27/162**

(58) **Field of Classification Search** D27/162,
D27/163; 131/173

DESCRIPTION

See application file for complete search history.

FIG. 1 is a front perspective view of a water pipe, illustrating my new design;

FIG. 2 is a front view thereof;

FIG. 3 is a back facing view thereof;

FIG. 4 is a left side view thereof;

FIG. 5 is a right side view thereof;

FIG. 6 is a top plan view thereof; and,

FIG. 7 is a bottom view thereof.

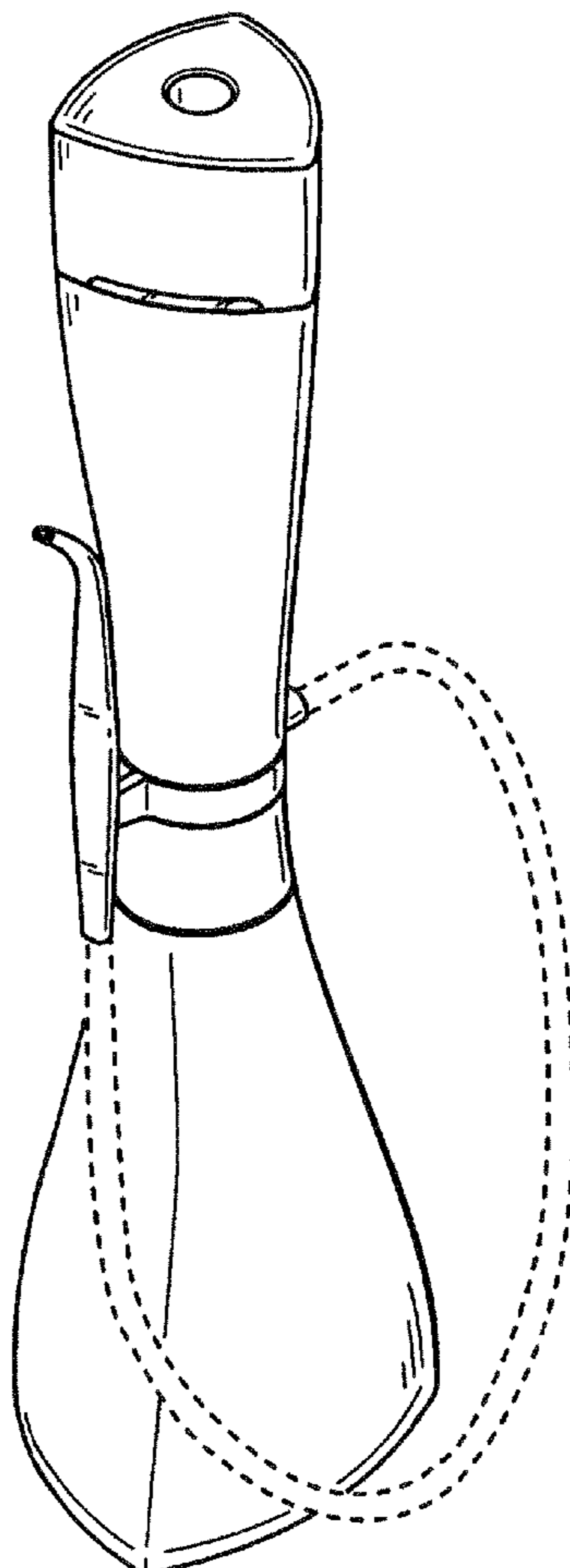
The broken line illustration of an environmental structure is not part of the design sought to be patented.

(56) **References Cited**

U.S. PATENT DOCUMENTS

4,140,138	A *	2/1979	Keller	131/173
D273,714	S *	5/1984	Sher	D27/162
D358,227	S *	5/1995	Heine	D27/162
6,073,632	A	6/2000	Tolja		
D464,169	S *	10/2002	McAuley	D27/162
D584,853	S *	1/2009	Kassir	D27/162

1 Claim, 7 Drawing Sheets



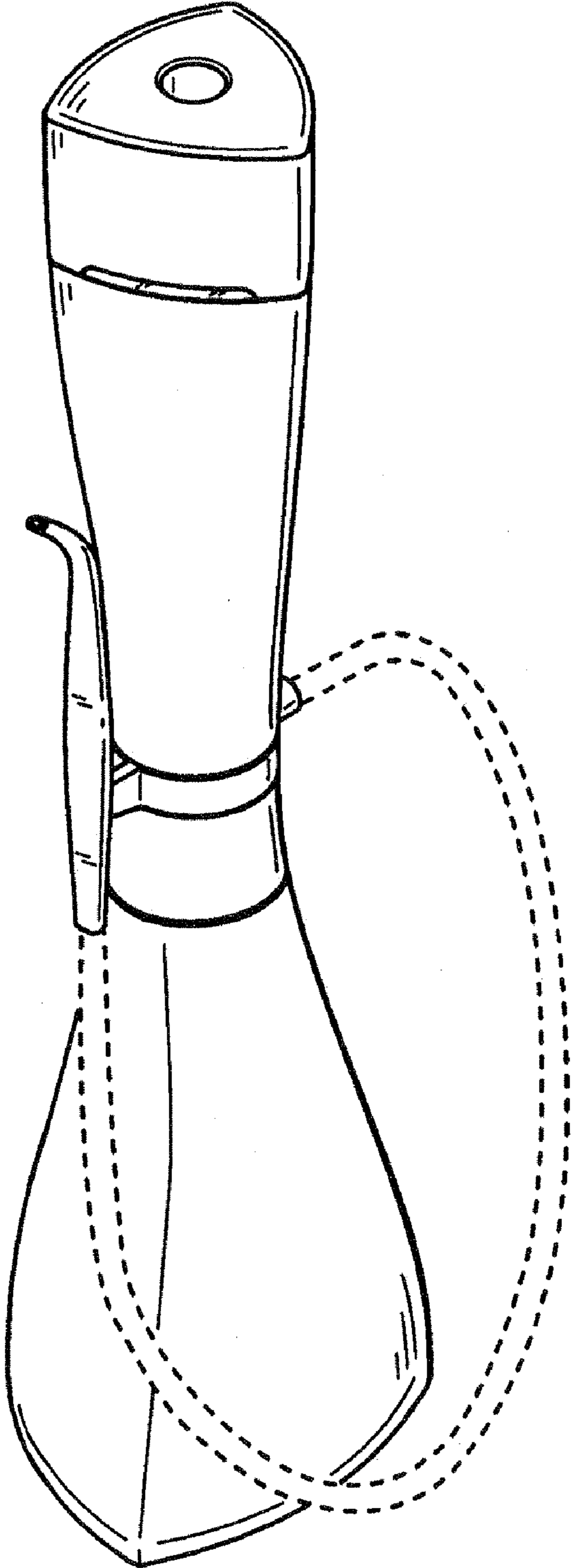


FIG. 1

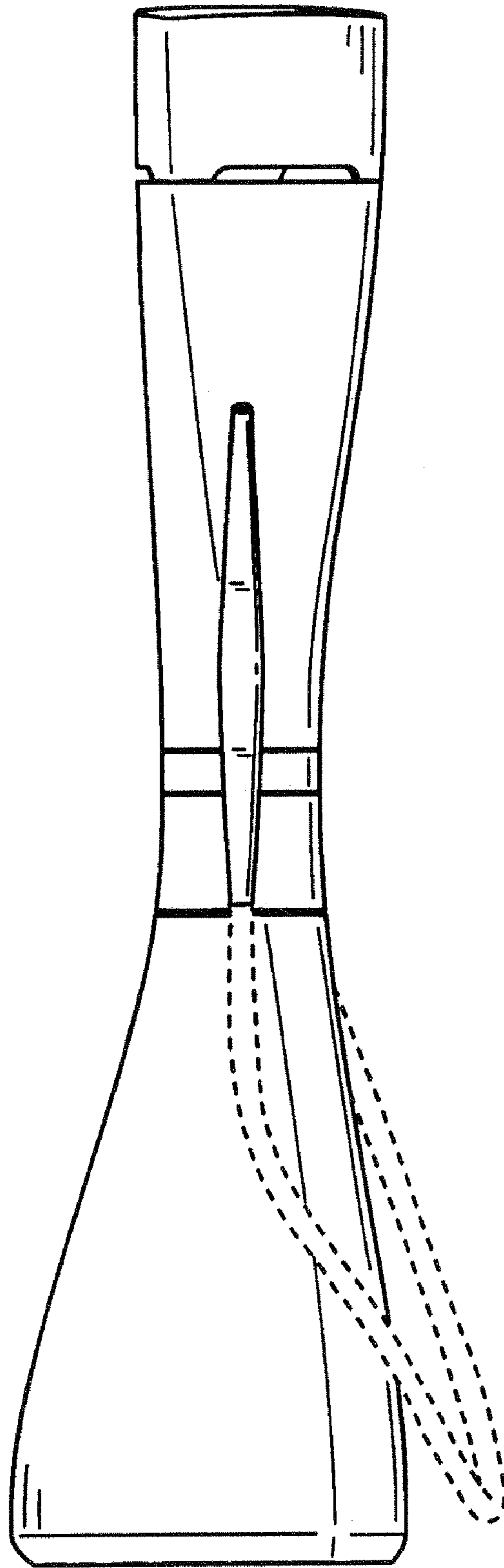


FIG. 2

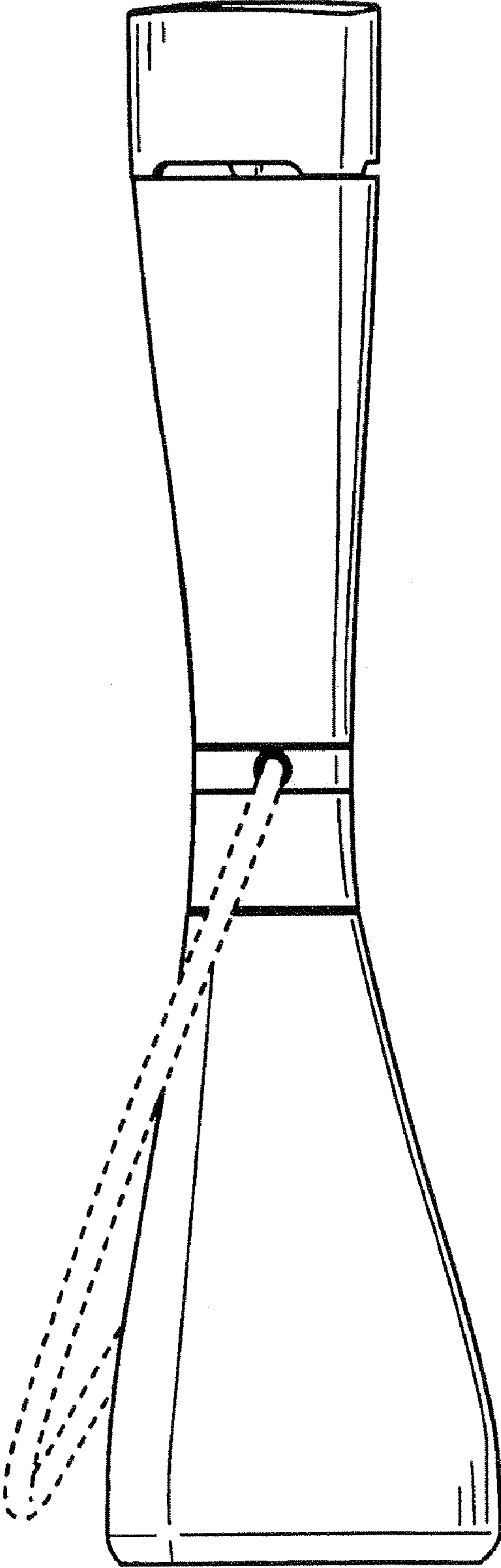


FIG. 3

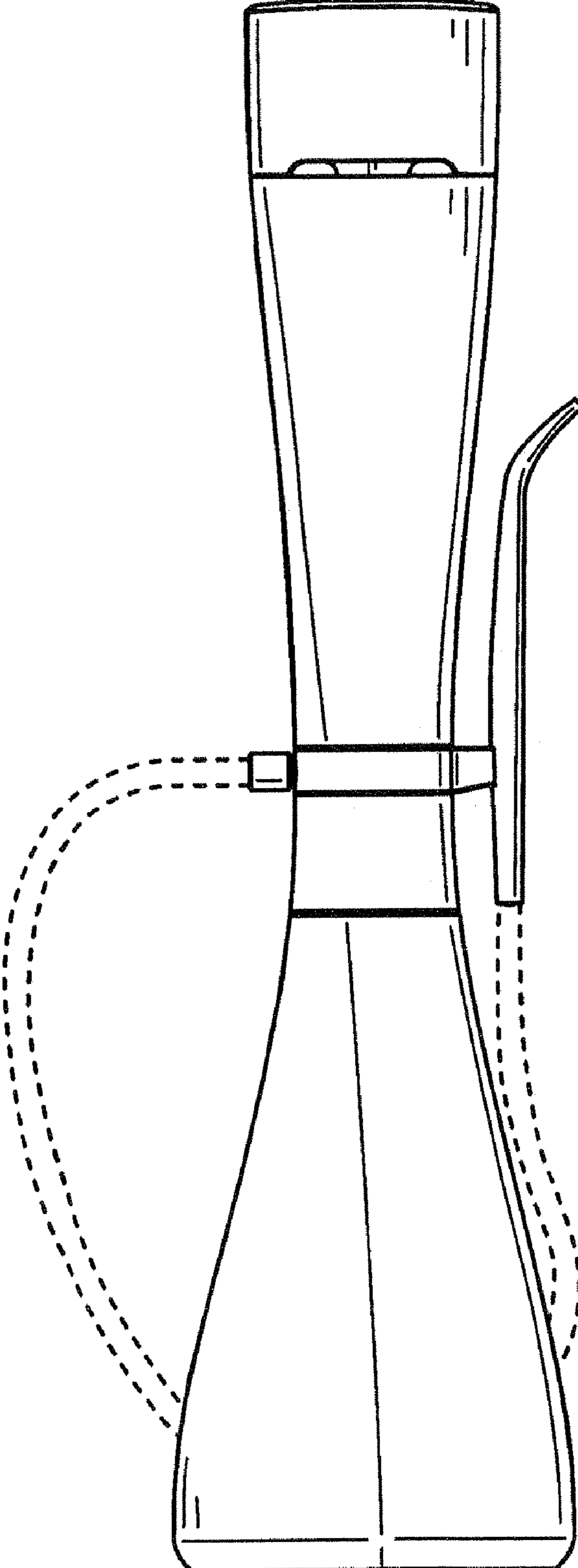


FIG. 4

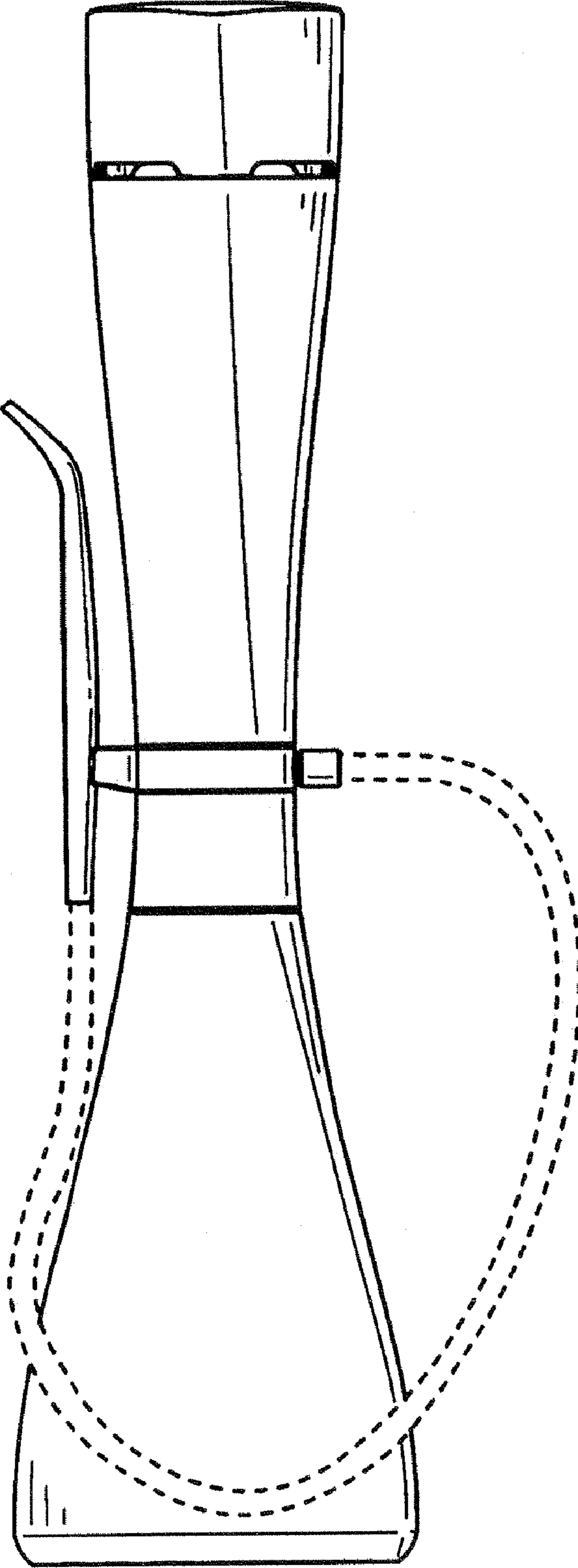


FIG. 5

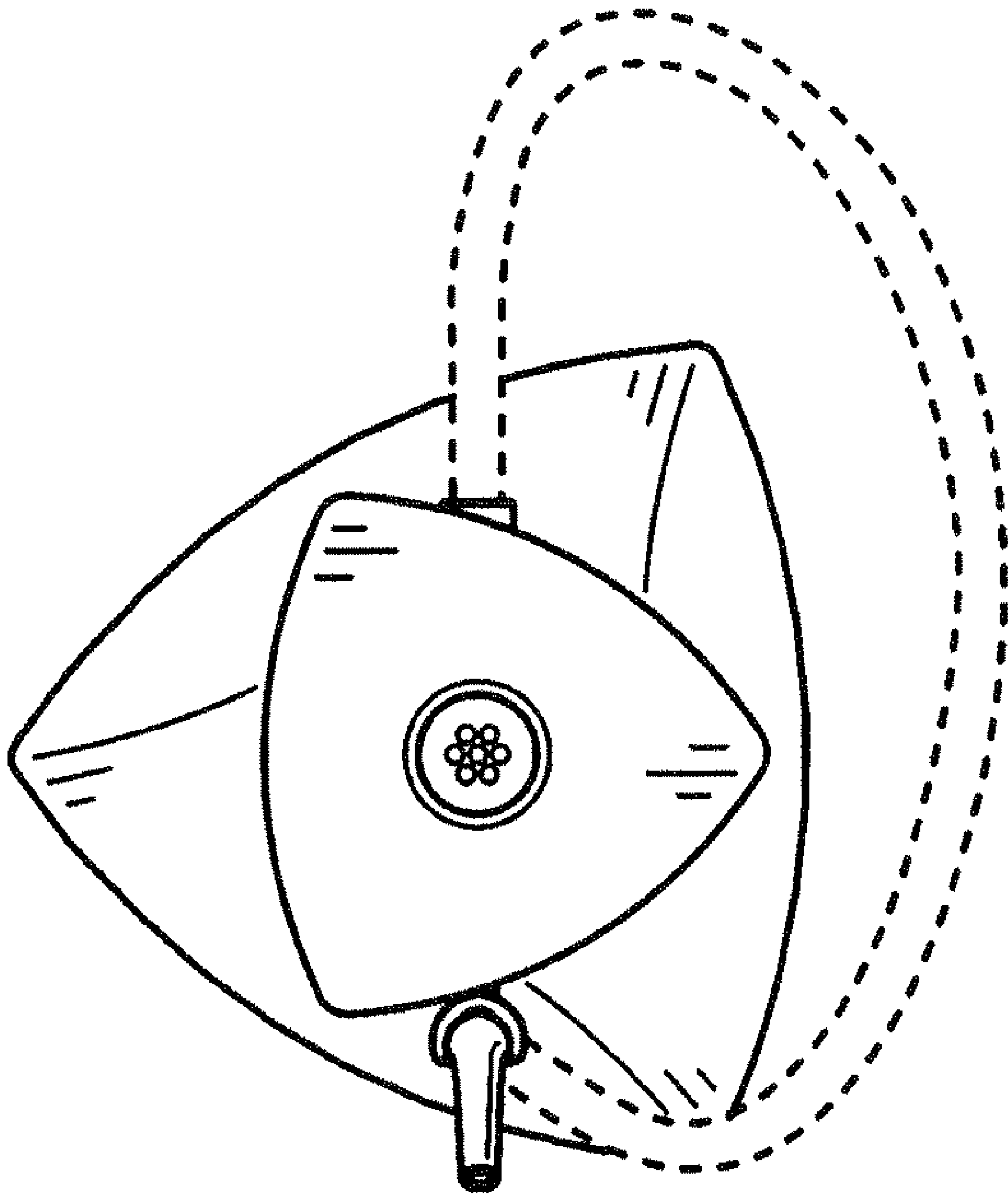


FIG. 6

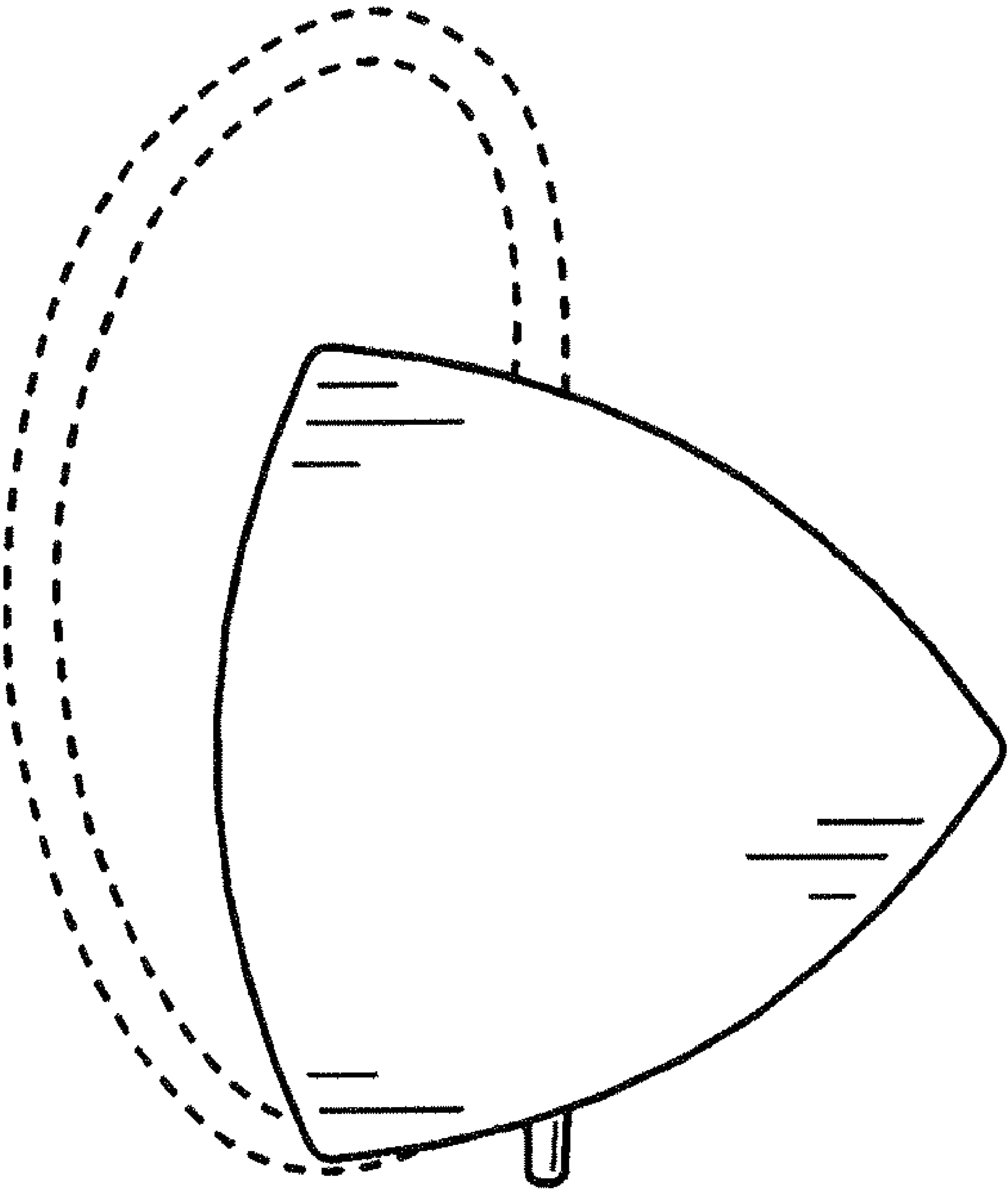


FIG. 7