



US00D645199S

(12) **United States Design Patent**
Intravatola

(10) **Patent No.:** **US D645,199 S**
(45) **Date of Patent:** **** Sep. 13, 2011**

(54) **LEG ASSEMBLY FOR PORTABLE POWER SOURCE**

DESCRIPTION

(75) Inventor: **Lawrence Shane Intravatola**, Virginia Beach, VA (US)

(73) Assignee: **Air Systems, Inc.**, Chesapeake, VA (US)

(**) Term: **14 Years**

(21) Appl. No.: **29/351,204**

(22) Filed: **Dec. 2, 2009**

(51) **LOC (9) Cl.** **26-99**

(52) **U.S. Cl.** **D26/138**

(58) **Field of Classification Search** D26/125, D26/49, 46, 37, 118, 71, 92, 85, 87, 128, D26/63, 65, 88, 76, 120, 113, 119, 138, 2, D26/67, 72, 93, 123, 129, 130, 24, 107, 108, D26/62, 109, 51, 127, 122, 131, 140, 141, D26/142, 143, 144, 145, 58, 60, 68; 362/101, 362/34, 346, 223, 294, 549, 109, 190, 192, 362/249.01-249.11, 98, 99, 16, 17, 18, 19; D13/179, 180; D23/411; 424/401, 402, 424/403, 404, 405; D8/353; 248/158, 122.1; D25/124; D16/135, 131, 244, 136; D15/90; 359/801, 802, 807, 812; 119/245, 246, 247, 119/253, 256, 266

See application file for complete search history.

(56) **References Cited**

U.S. PATENT DOCUMENTS

2,493,978 A * 1/1950 Kromer 248/171
3,034,754 A * 5/1962 Trindl 248/158
3,586,270 A * 6/1971 Loffler et al. 362/486
3,593,016 A * 7/1971 Gerdel 362/257

(Continued)

Primary Examiner — Kevin Rudzinski

(74) *Attorney, Agent, or Firm* — Daniel Schein, Esq.

(57) **CLAIM**

The ornamental design for a leg assembly for portable power source, as shown and described.

FIG. 1 is a top-front perspective view of a preferred embodiment of a leg assembly for portable power source, the leg assembly shown in an extended configuration.

FIG. 2 is a bottom-front perspective view of the leg assembly for portable power source in FIG. 1.

FIG. 3 is a top-rear perspective view of the leg assembly for portable power source in FIG. 1.

FIG. 4 is a bottom-rear perspective view of the leg assembly for portable power source in FIG. 1.

FIG. 5 is a top-front perspective view of the leg assembly for portable power source in FIG. 1, the leg assembly shown in a folded configuration;

FIG. 6 is a bottom-front perspective view of the leg assembly for portable power source in FIG. 5.

FIG. 7 is a top-rear perspective view of the leg assembly for portable power source in FIG. 5.

FIG. 8 is a bottom-rear perspective view of the leg assembly for portable power source in FIG. 5.

FIG. 9 is a top-front perspective view of the leg assembly for portable power source shown in FIG. 1, the leg assembly attached to a portable light power source with telescoping light attachment shown in broken lines.

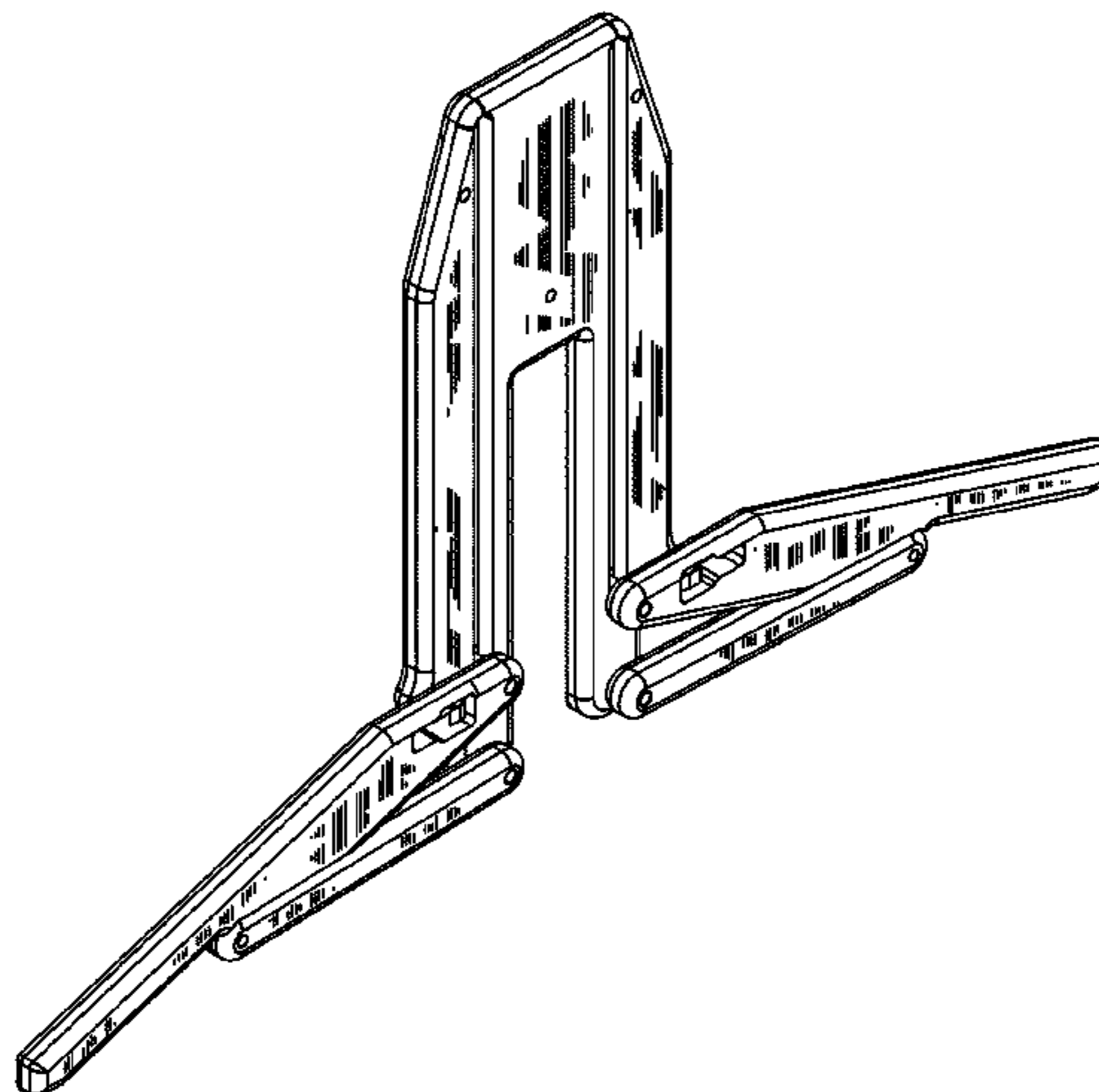
FIG. 10 is a top-front perspective view of the leg assembly for portable power source shown in FIG. 5, the leg assembly attached to a portable light power source with telescoping light attachment shown in broken lines.

FIG. 11 is a top-rear perspective view of the leg assembly for portable power source shown in FIG. 1, the leg assembly attached to a portable light power source with telescoping light attachment shown in broken lines; and,

FIG. 12 is a top-rear perspective view of the leg assembly for portable power source shown in FIG. 5, the leg assembly attached to a portable light power source with telescoping light attachment shown in broken lines.

The broken lines showing the portable light power source with telescoping light attachment, or portions thereof, in FIGS. 9-12 are for illustrative or environmental purposes only and do not form any part of the claimed design.

1 Claim, 12 Drawing Sheets



US D645,199 S

Page 2

U.S. PATENT DOCUMENTS

4,181,929	A *	1/1980	Barber et al.	362/192	D441,491	S *	5/2001	Leen	D26/138
4,220,981	A *	9/1980	Koether	362/486	6,439,532	B1 *	8/2002	Yu	248/443
4,232,357	A *	11/1980	Dietz	362/486	D502,566	S *	3/2005	Tsai	D26/138
4,523,256	A *	6/1985	Small	362/11	6,902,294	B2 *	6/2005	Wright	362/191
4,600,980	A *	7/1986	Dahlgren	362/385	D509,300	S *	9/2005	Muller	D24/209
4,796,172	A *	1/1989	Chestnut	362/427	7,137,608	B2 *	11/2006	Willey	248/519
4,929,873	A *	5/1990	Summer	315/219	7,246,782	B2 *	7/2007	Crookham et al.	248/519
5,386,358	A *	1/1995	Hillinger	362/431	7,364,320	B2 *	4/2008	Van Deursen et al.	362/190
5,460,343	A *	10/1995	Hestilow	248/124.1	D571,951	S *	6/2008	Melzner et al.	D26/138
D380,568	S *	7/1997	Landy	D26/63	7,470,036	B2 *	12/2008	Deighton et al.	362/109
5,808,450	A *	9/1998	Chula et al.	322/22	D612,969	S *	3/2010	Schoch et al.	D26/50
5,964,524	A *	10/1999	Qian	362/414	2002/0136005	A1 *	9/2002	Lee	362/171
5,984,490	A *	11/1999	Leen	362/240	2006/0146523	A1 *	7/2006	Yuen	362/183
6,019,484	A *	2/2000	Seyler	362/287	2009/0284963	A1 *	11/2009	Intravatola	362/190
6,213,626	B1 *	4/2001	Qian	362/413					

* cited by examiner

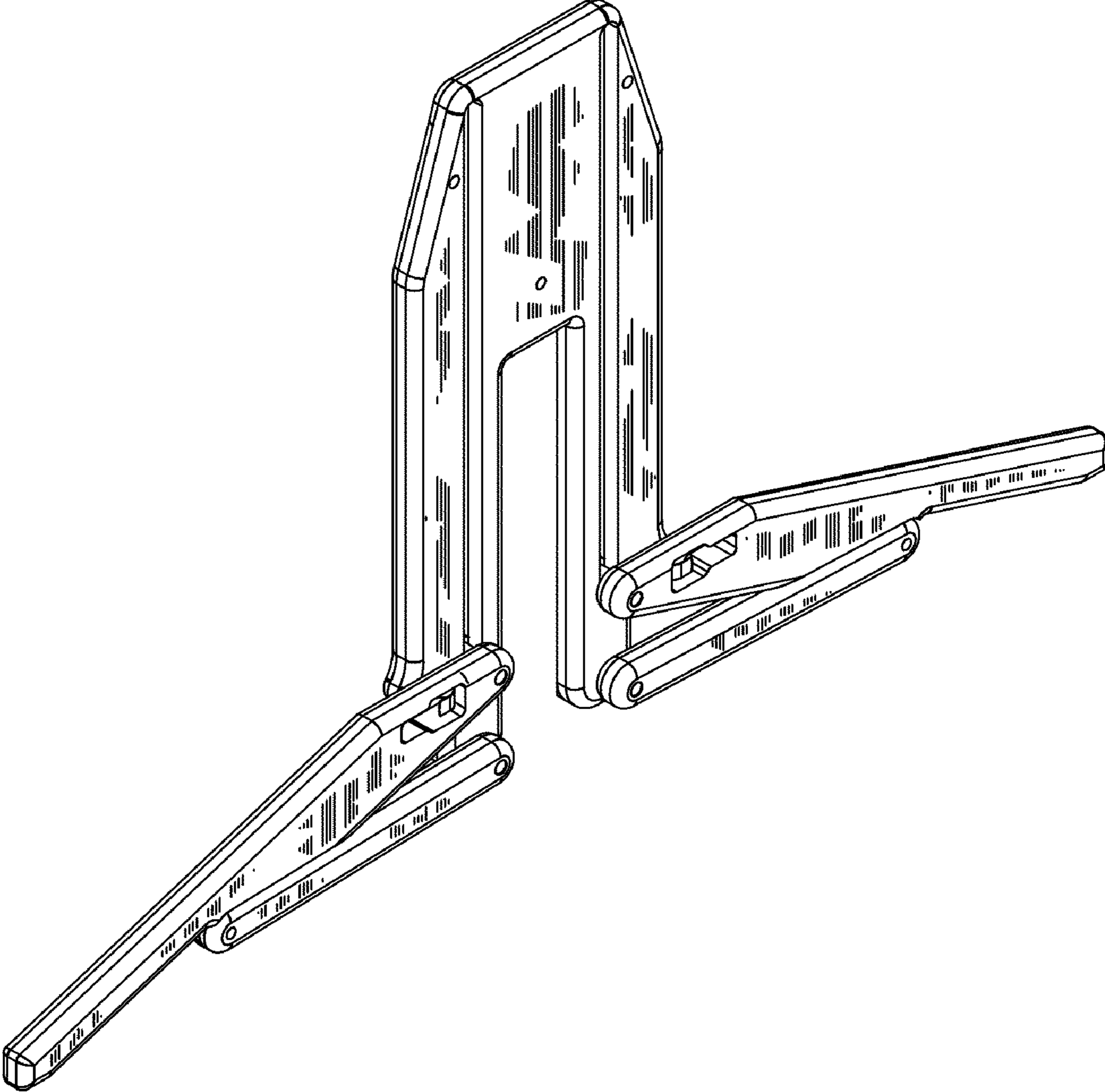


FIG. 1

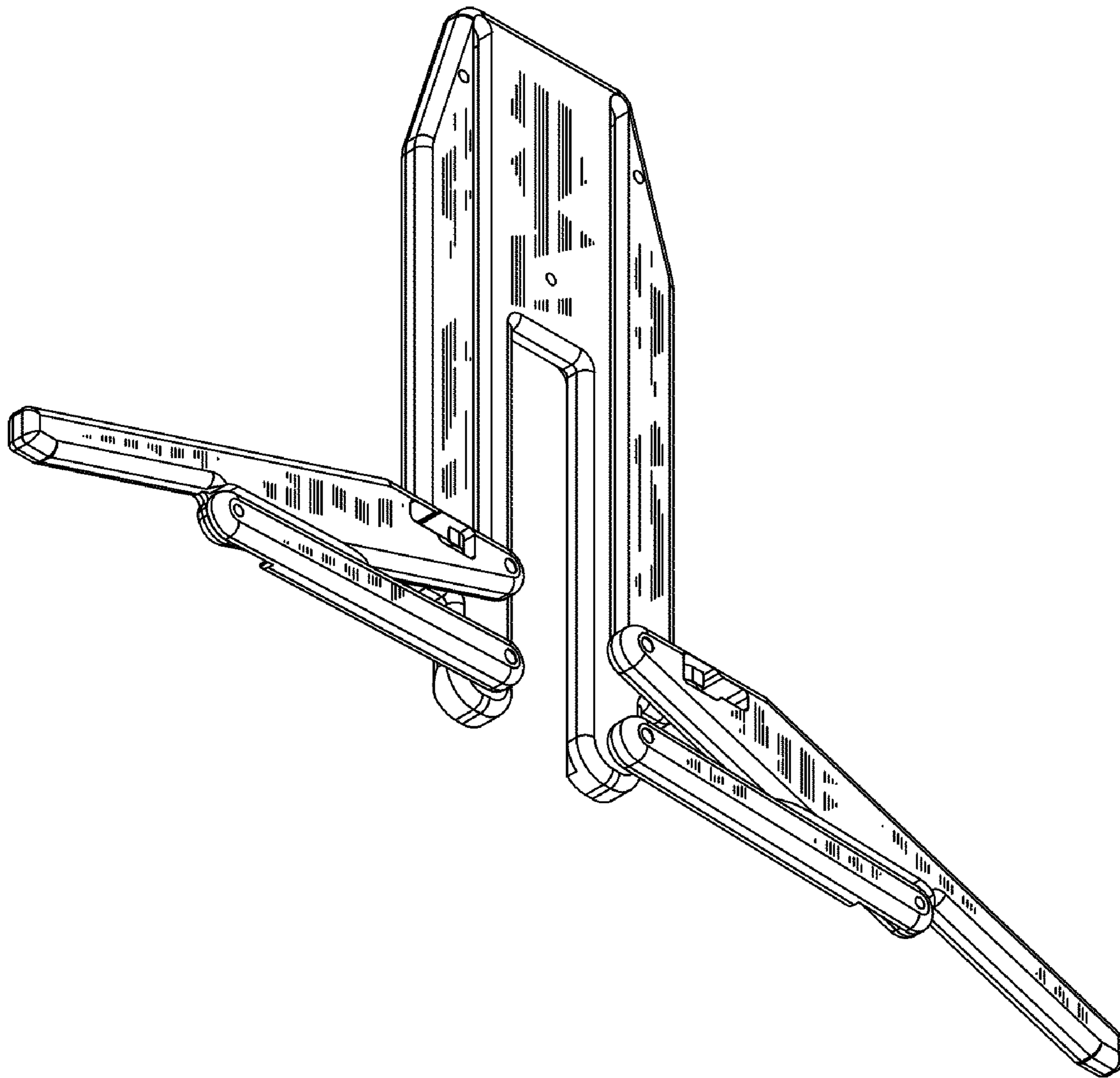


FIG. 2

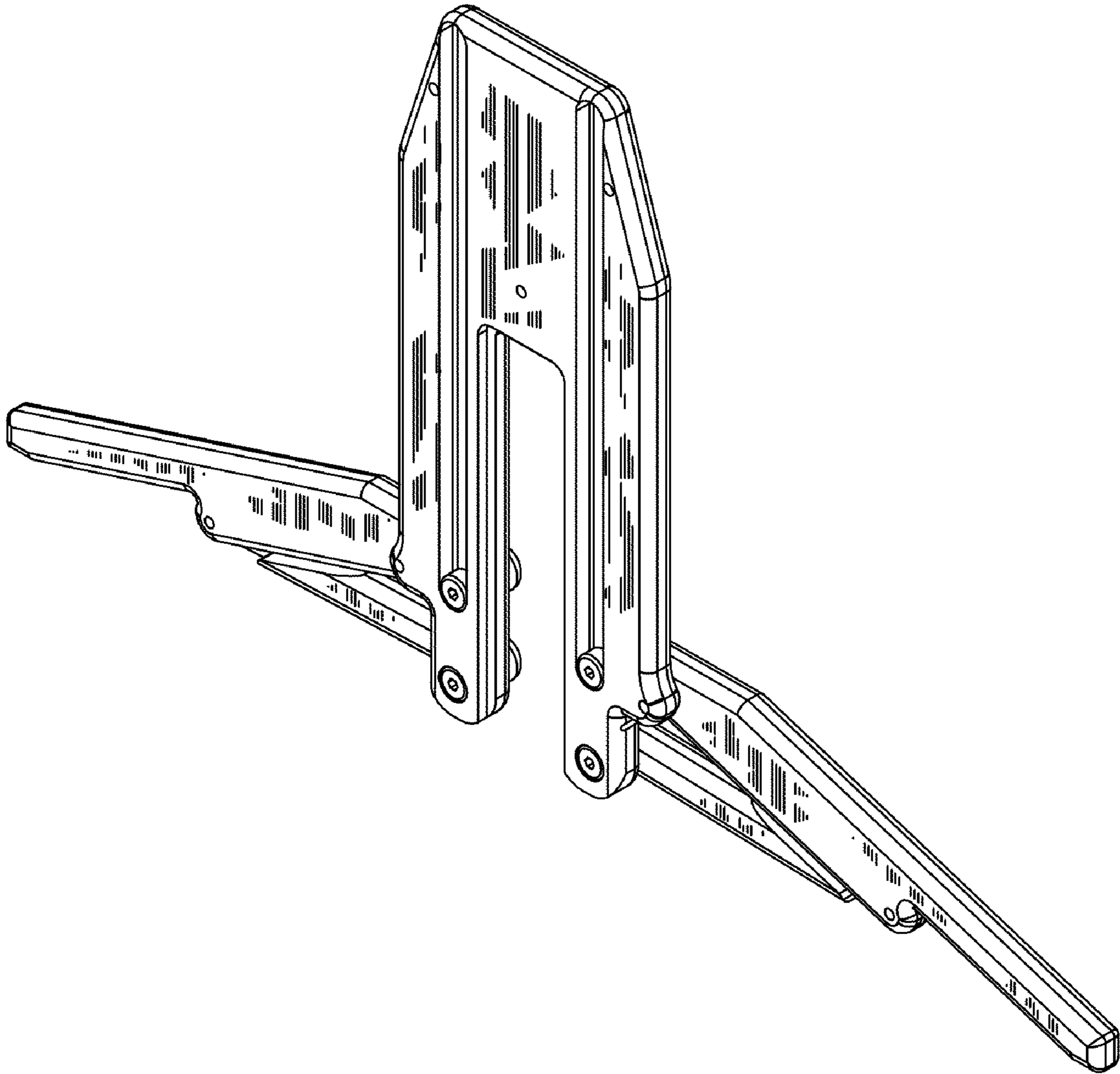


FIG. 3

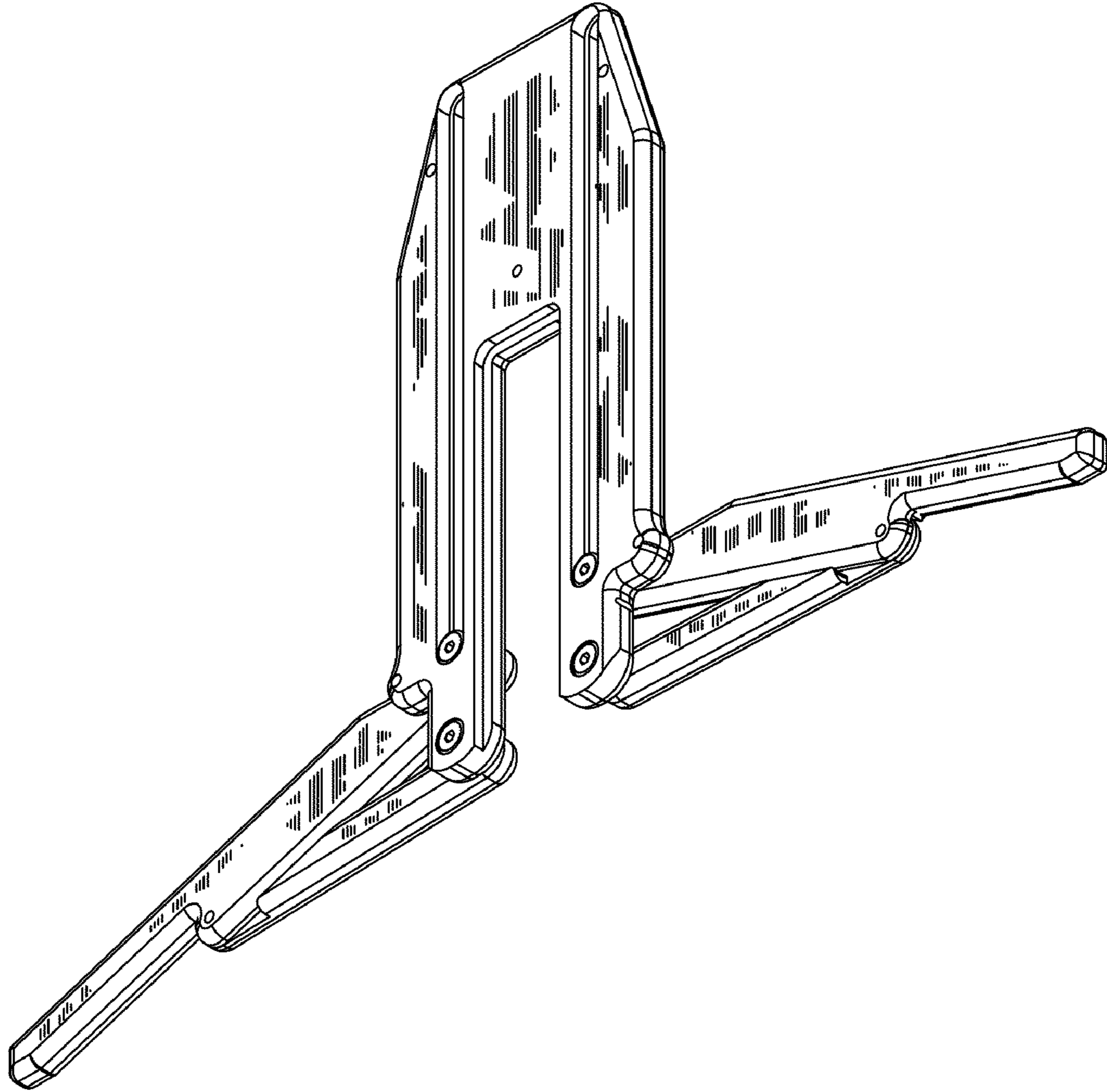


FIG. 4

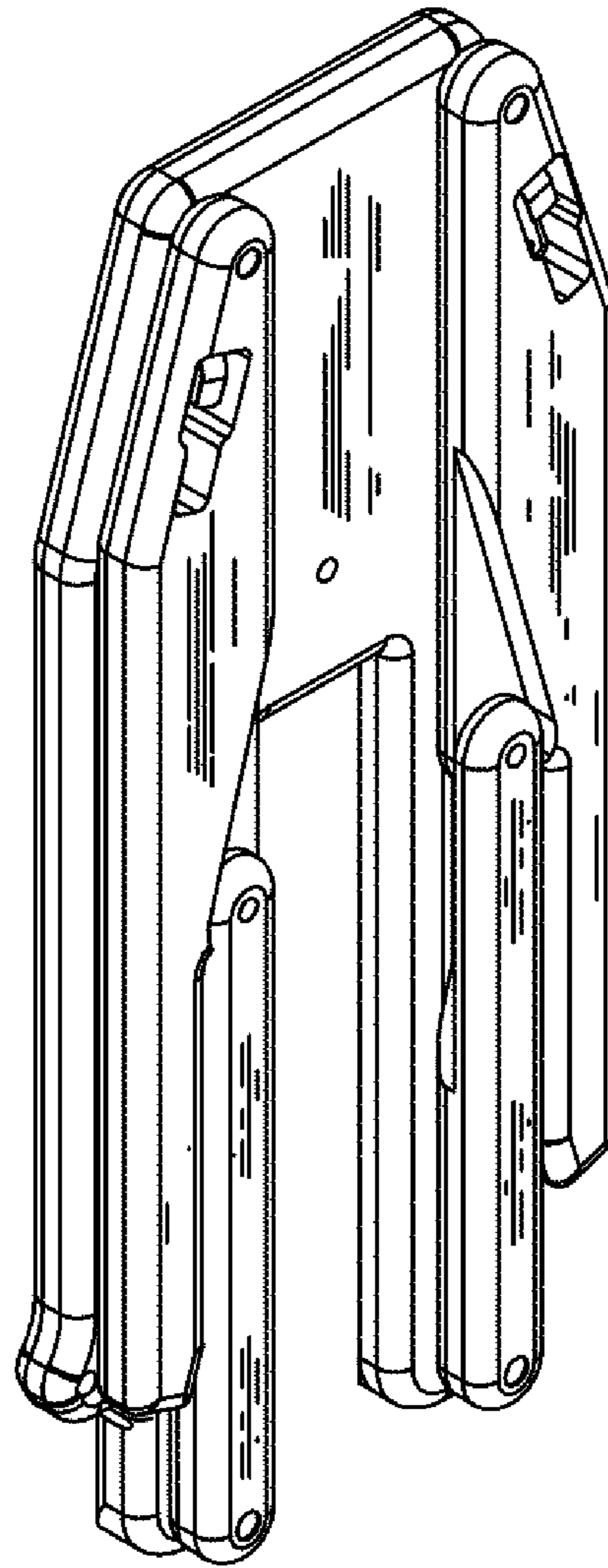


FIG. 5

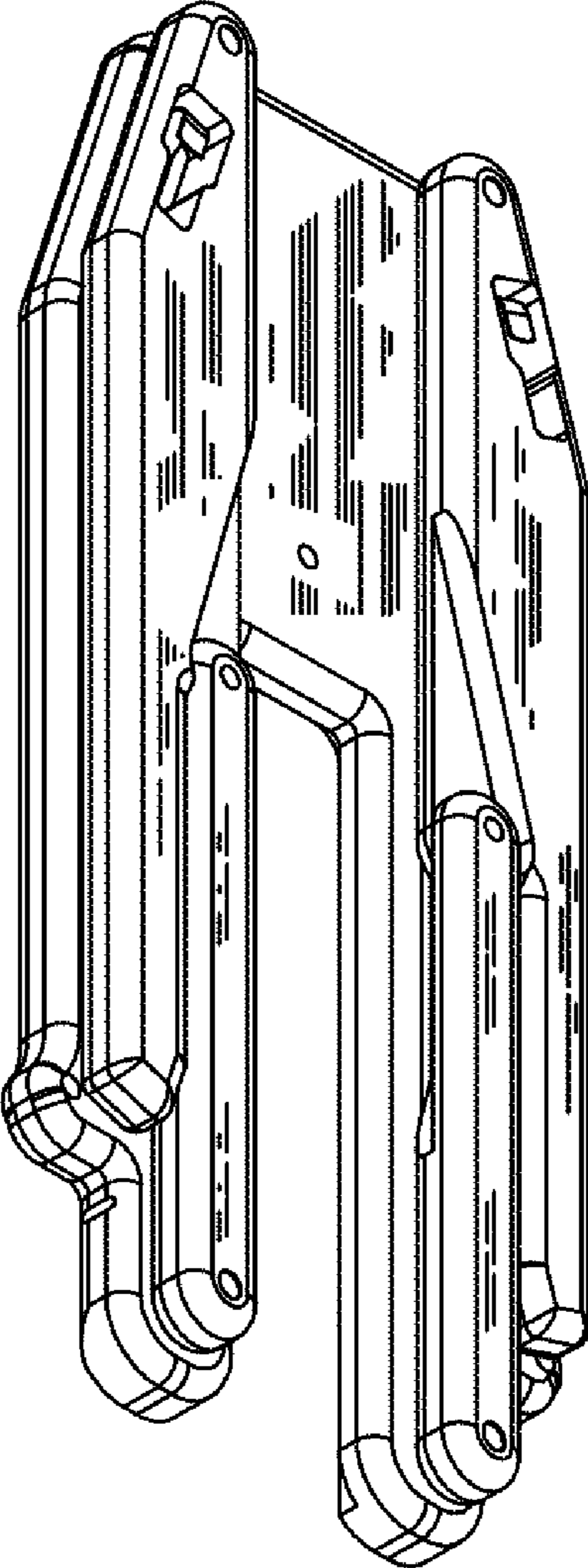


FIG. 6



FIG. 7

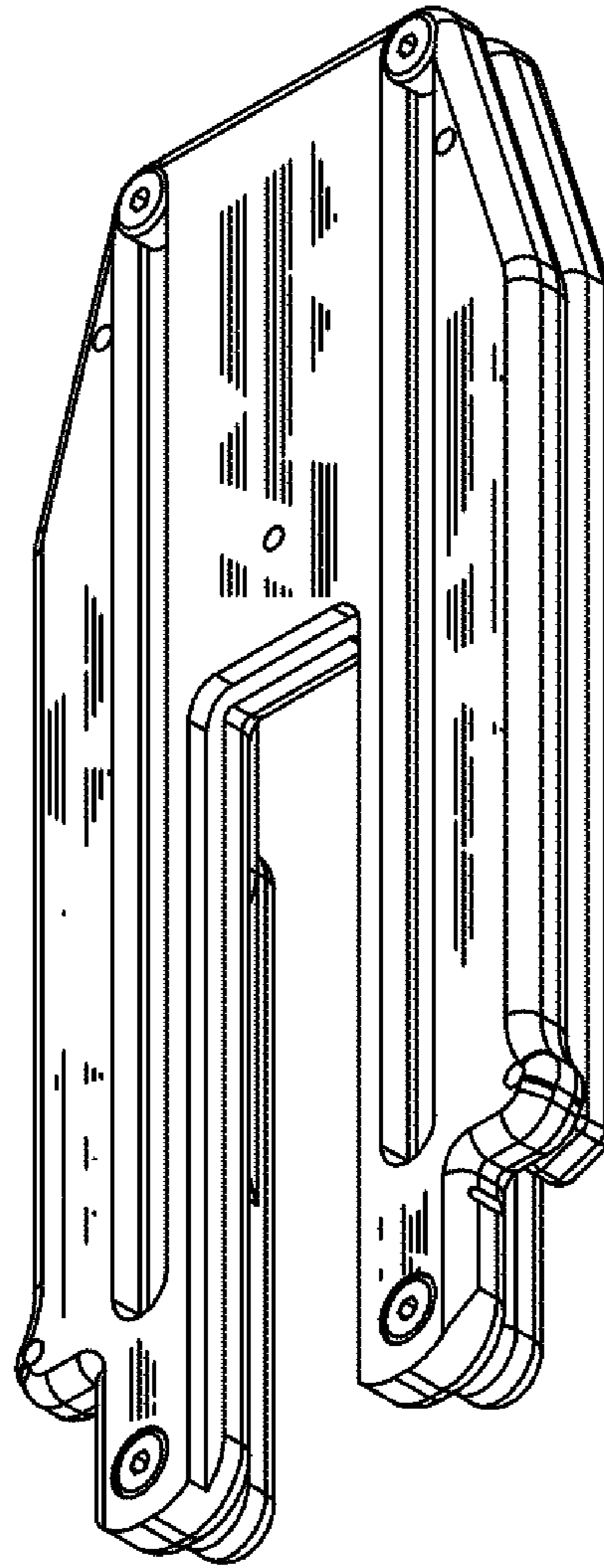


FIG. 8

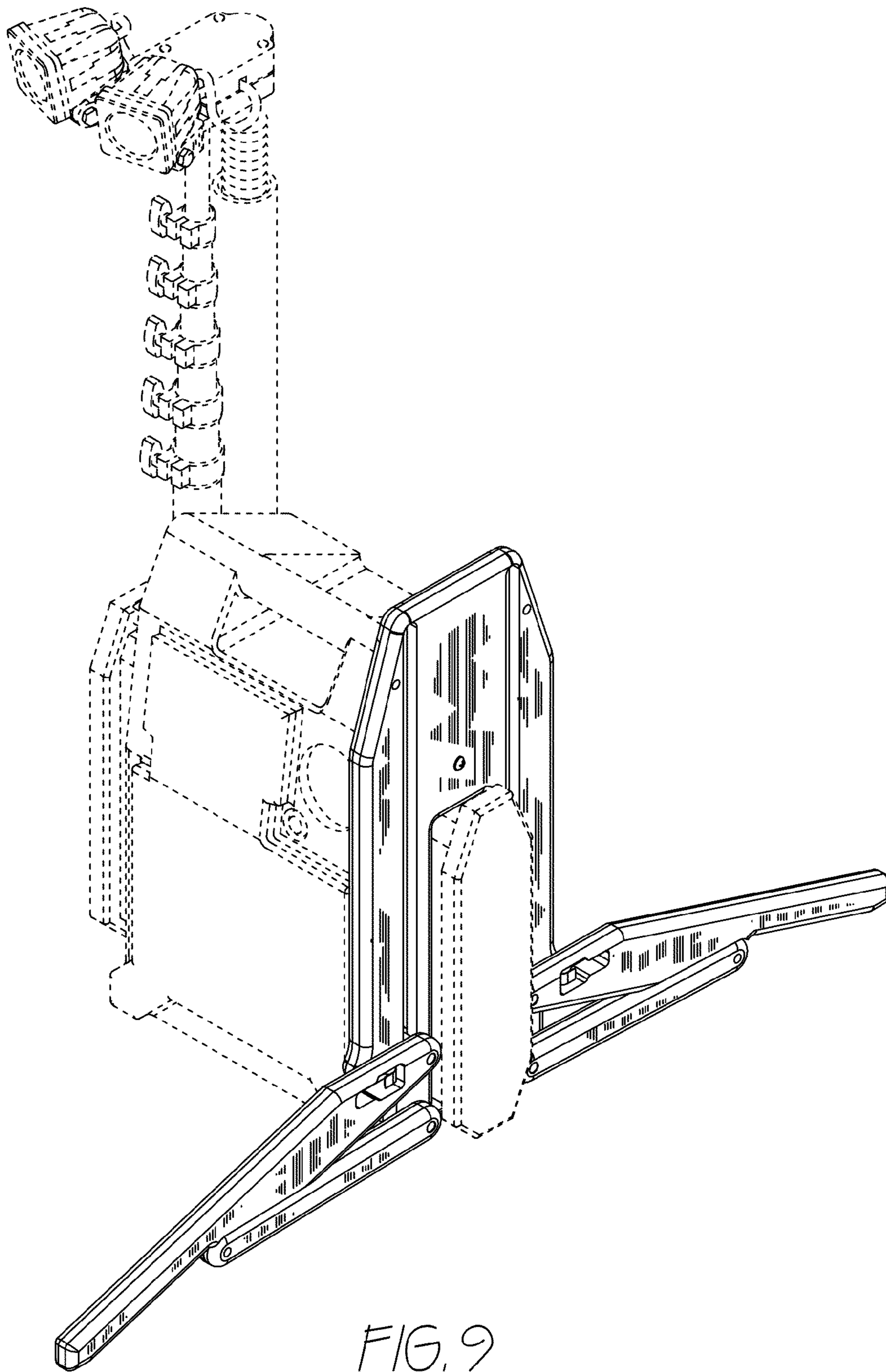


FIG. 9

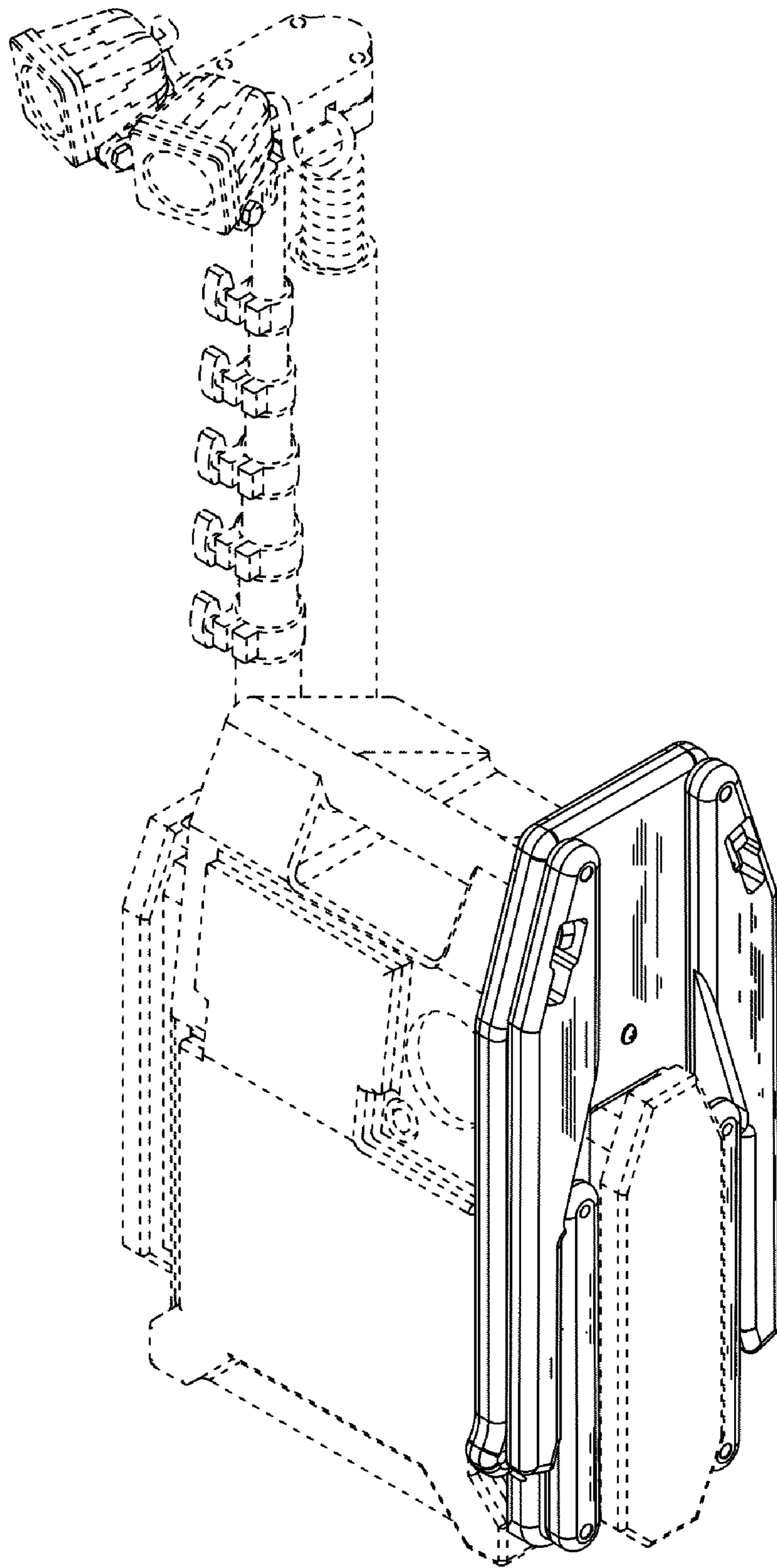


FIG. 10

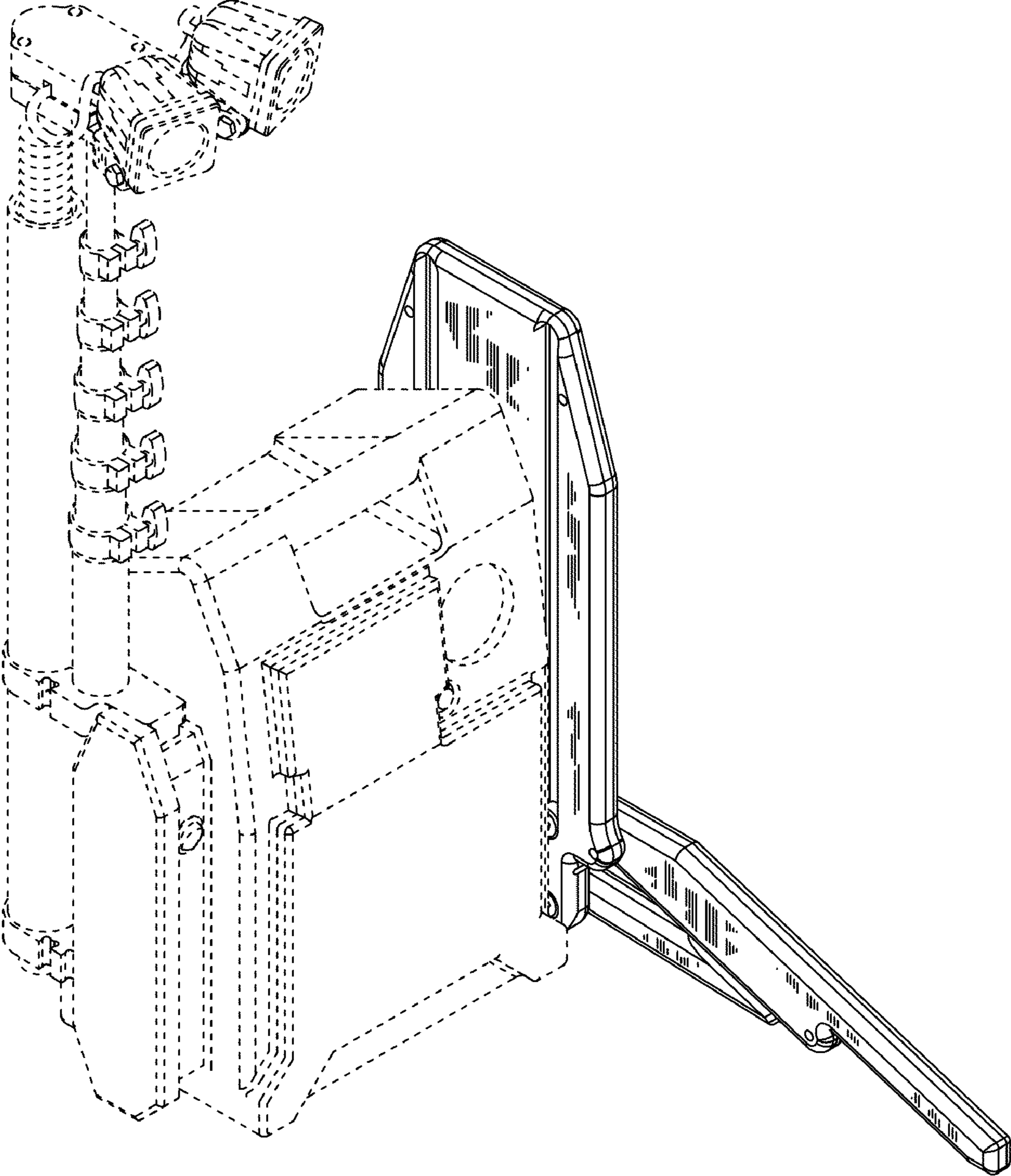


FIG. 11

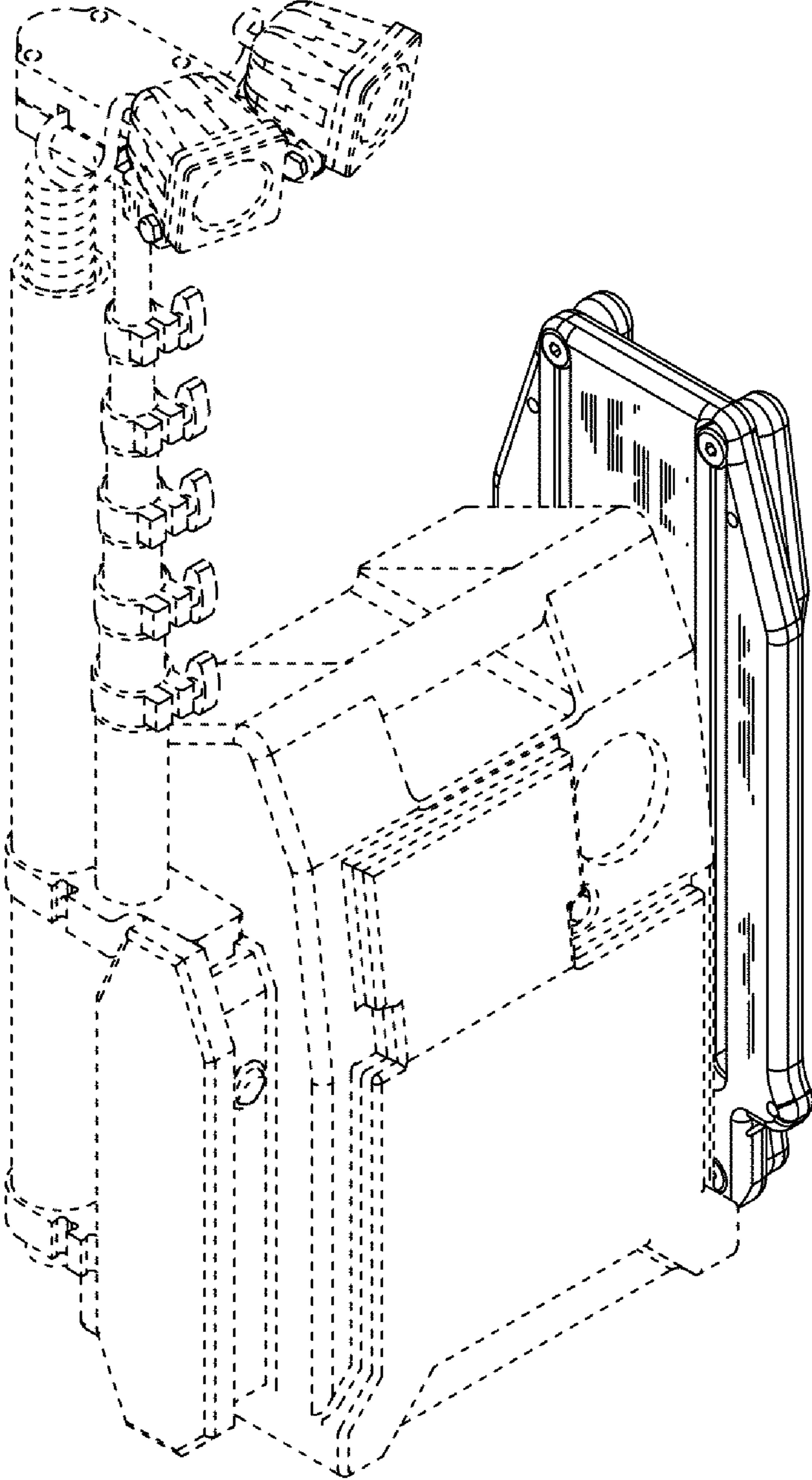


FIG. 12