



US00D645198S

(12) **United States Design Patent**  
**Waldmann**

(10) **Patent No.:** **US D645,198 S**

(45) **Date of Patent:** **\*\* Sep. 13, 2011**

(54) **FLOOR LAMP**

(75) Inventor: **Gerhard Waldmann**, Stein am Rhein  
(CH)

(73) Assignee: **Herbert Waldmann GmbH & Co. KG**,  
Villingen-Schwenningen (DE)

(\*\*) Term: **14 Years**

(21) Appl. No.: **29/390,624**

(22) Filed: **Apr. 27, 2011**

**Related U.S. Application Data**

(62) Division of application No. 29/368,521, filed on Aug.  
25, 2010.

(30) **Foreign Application Priority Data**

Feb. 26, 2010 (DE) ..... 40 2010 001 073

(51) **LOC (9) Cl.** ..... **26-03**

(52) **U.S. Cl.** ..... **D26/93; D26/107**

(58) **Field of Classification Search** ..... D26/24,  
D26/61-67, 93, 102, 104-105, 108-10, 107;  
362/509, 516, 523, 186, 217, 255, 257, 277,  
362/317, 319, 351, 354, 355, 357, 358, 362,  
362/382, 410, 413, 417, 806

See application file for complete search history.

(56) **References Cited**

**U.S. PATENT DOCUMENTS**

D127,584 S \* 6/1941 Livers ..... D26/105  
D204,793 S \* 5/1966 Rodriguez ..... D26/63  
D226,021 S \* 1/1973 Haft ..... D24/210

D243,549 S \* 3/1977 Neveux ..... D26/66  
D425,651 S \* 5/2000 Gager et al. .... D26/108  
D502,282 S \* 2/2005 Waldmann ..... D26/107  
D529,222 S \* 9/2006 Waldmann ..... D26/107  
D539,970 S \* 4/2007 Waldmann ..... D26/107  
D607,594 S \* 1/2010 Waldmann ..... D26/76  
D609,391 S \* 2/2010 Schieffelin et al. .... D26/93  
D610,731 S \* 2/2010 Lenz ..... D26/71  
D634,875 S \* 3/2011 Jiang et al. .... D26/71

\* cited by examiner

*Primary Examiner* — Brian N Vinson

(74) *Attorney, Agent, or Firm* — Andrew F. Young, Esq.;  
Lackebach Siegel, LLP

(57) **CLAIM**

The ornamental design for a floor lamp, as shown and  
described.

**DESCRIPTION**

FIG. 1 is a perspective view of a first embodiment of the  
invention.

FIG. 2 is a right side elevation view of FIG. 1.

FIG. 3 is a front elevation view of FIG. 1.

FIG. 4 is a left side elevation view of FIG. 1.

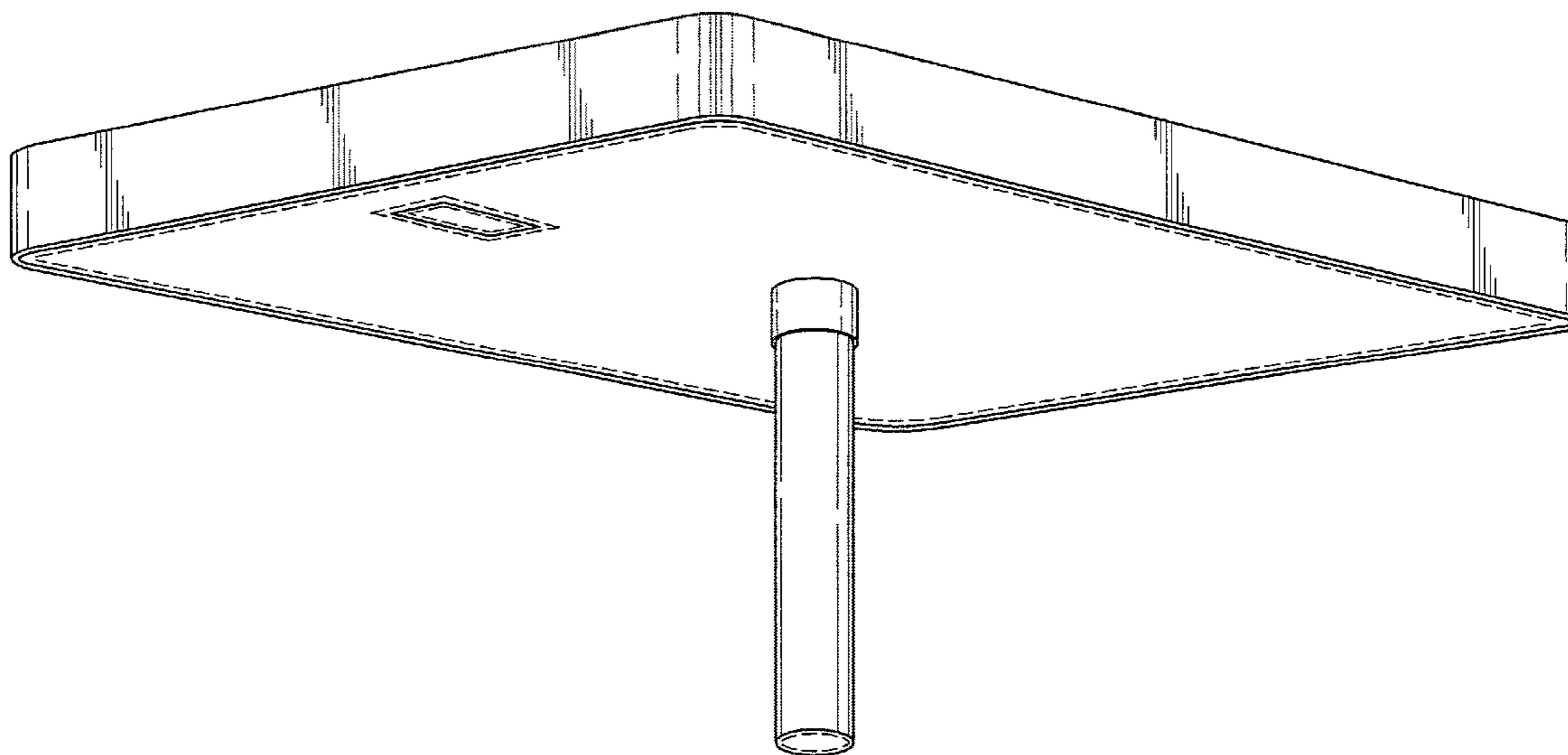
FIG. 5 is a rear elevation view of FIG. 1.

FIG. 6 is a top plan view of FIG. 1; and,

FIG. 7 is a bottom plan view of FIG. 1.

The dashed lines in FIGS. 1-7 are for illustrative purposes  
only and form no part of the claimed design. The projecting  
pole member end is illustrative of a continuing pole member  
cropped for purposes of illustrating the environmental  
arrangement. The dashed lines shown internal to the project-  
ing pole in FIGS. 1 and 7 are intended to illustrate no orna-  
mental claim to the internal portions of the projecting pole  
beyond the images shown.

**1 Claim, 7 Drawing Sheets**



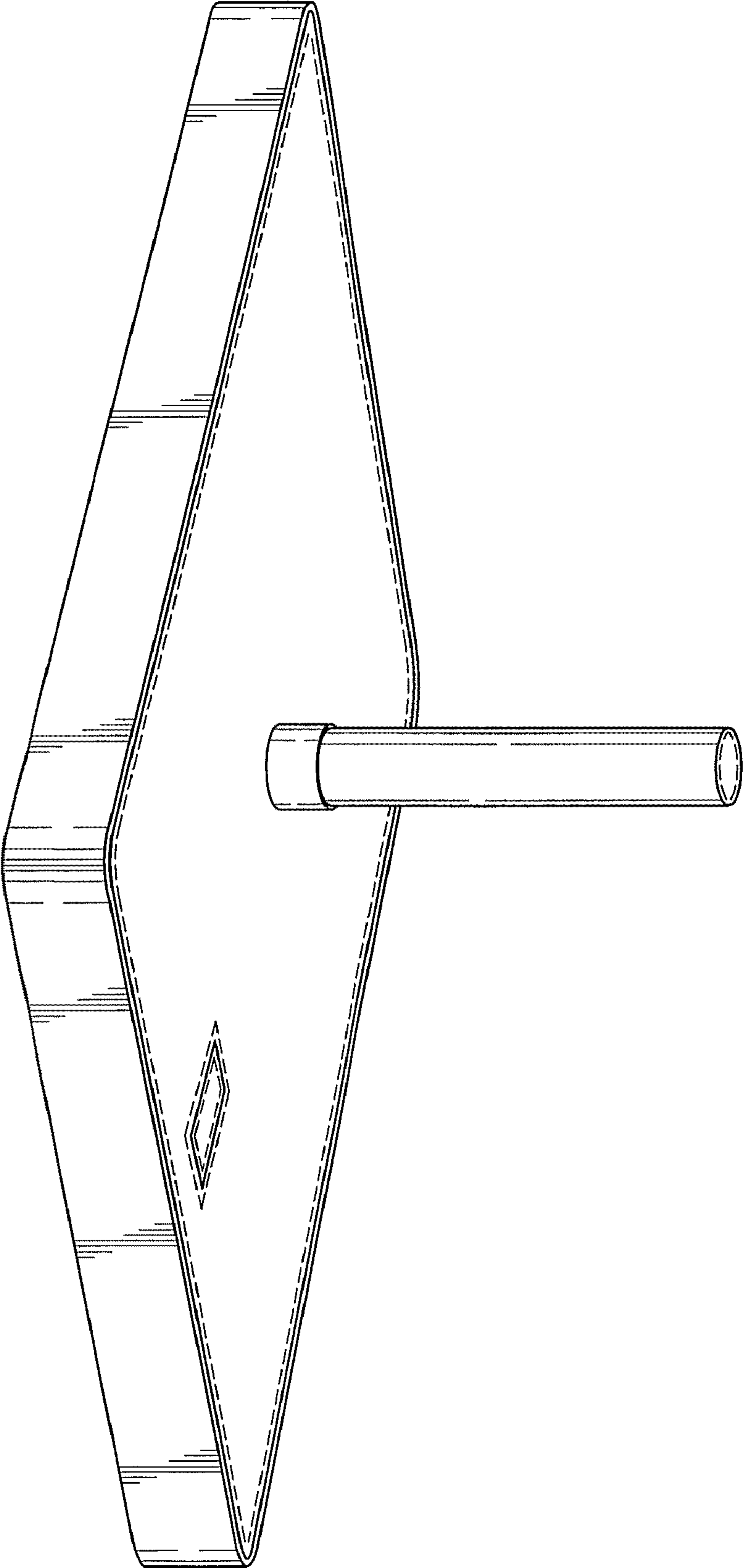
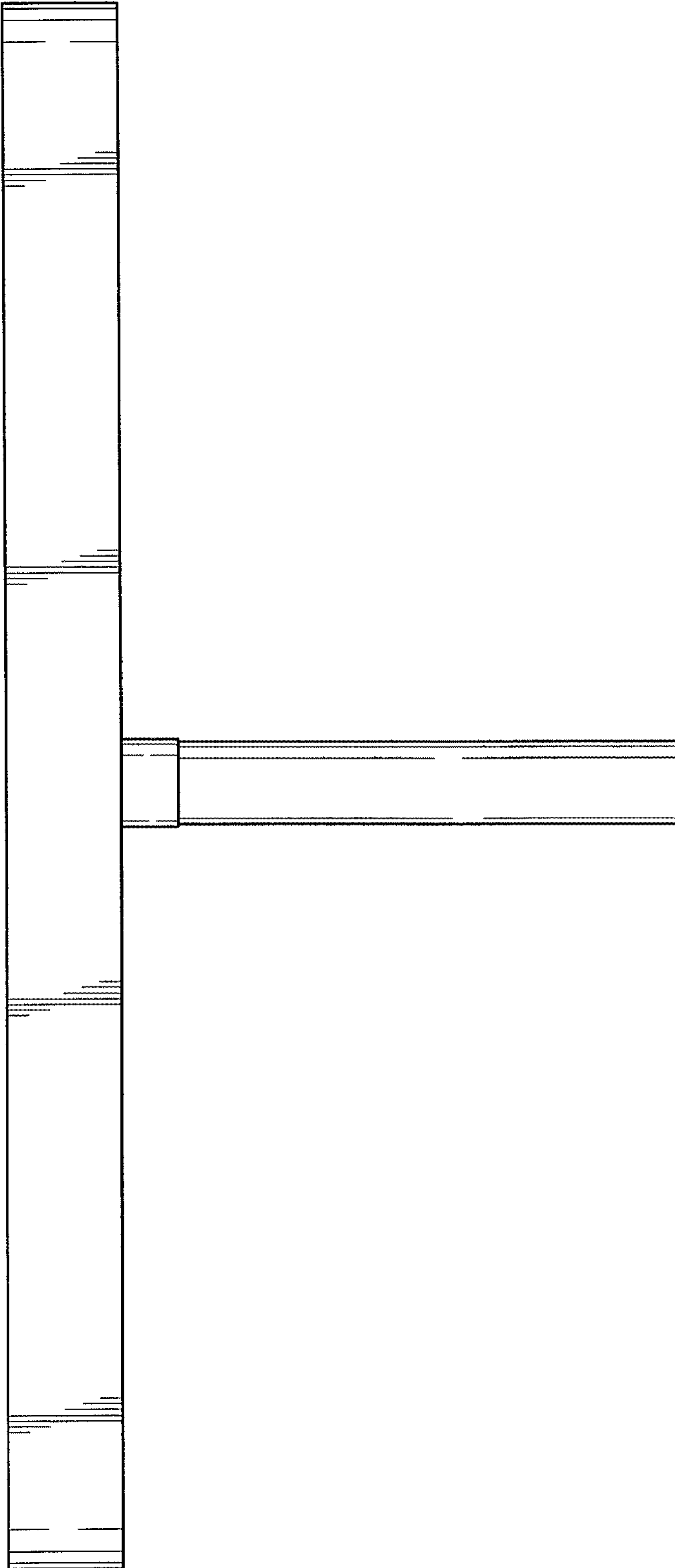


Fig. 1

Fig. 2



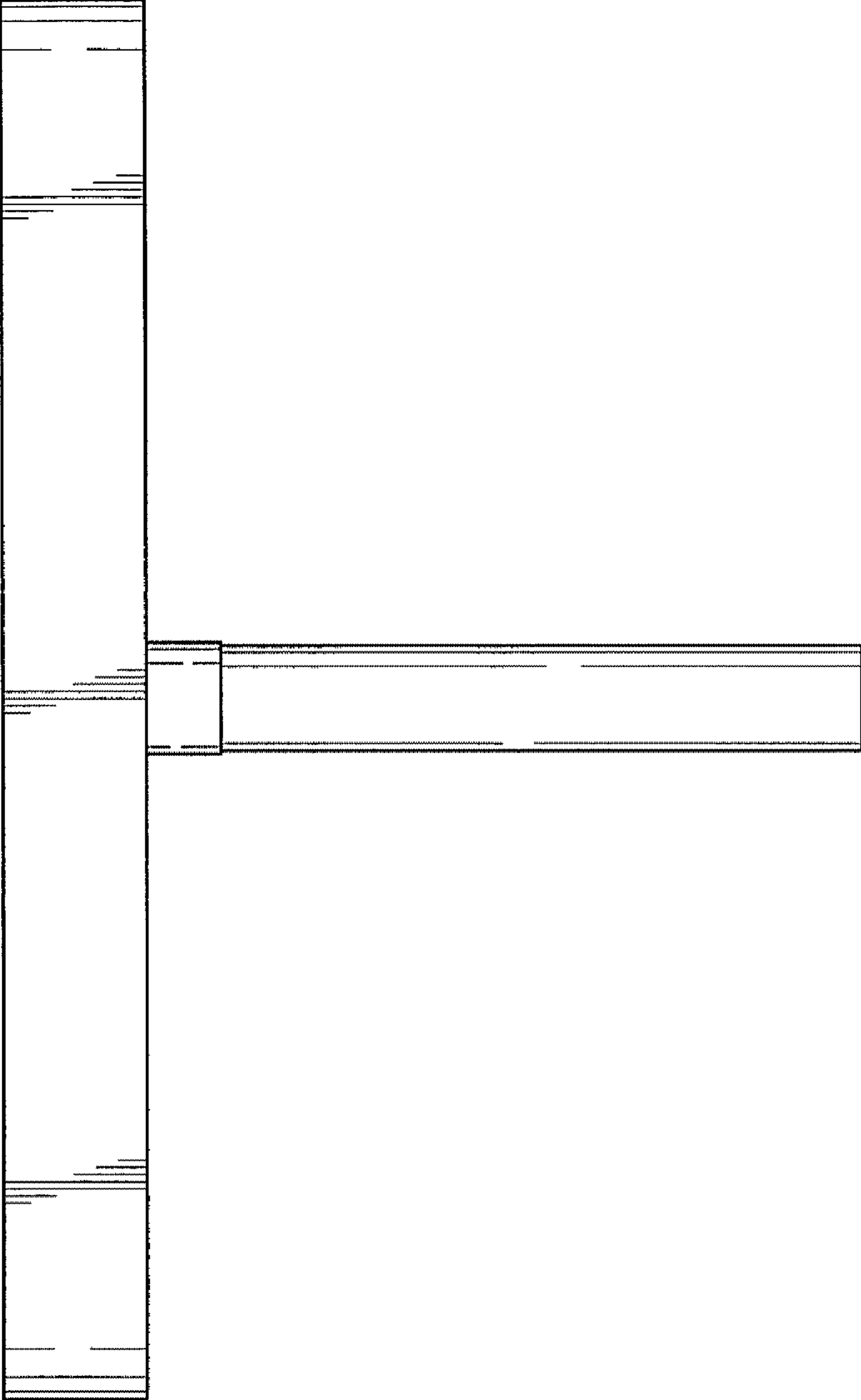


Fig. 3

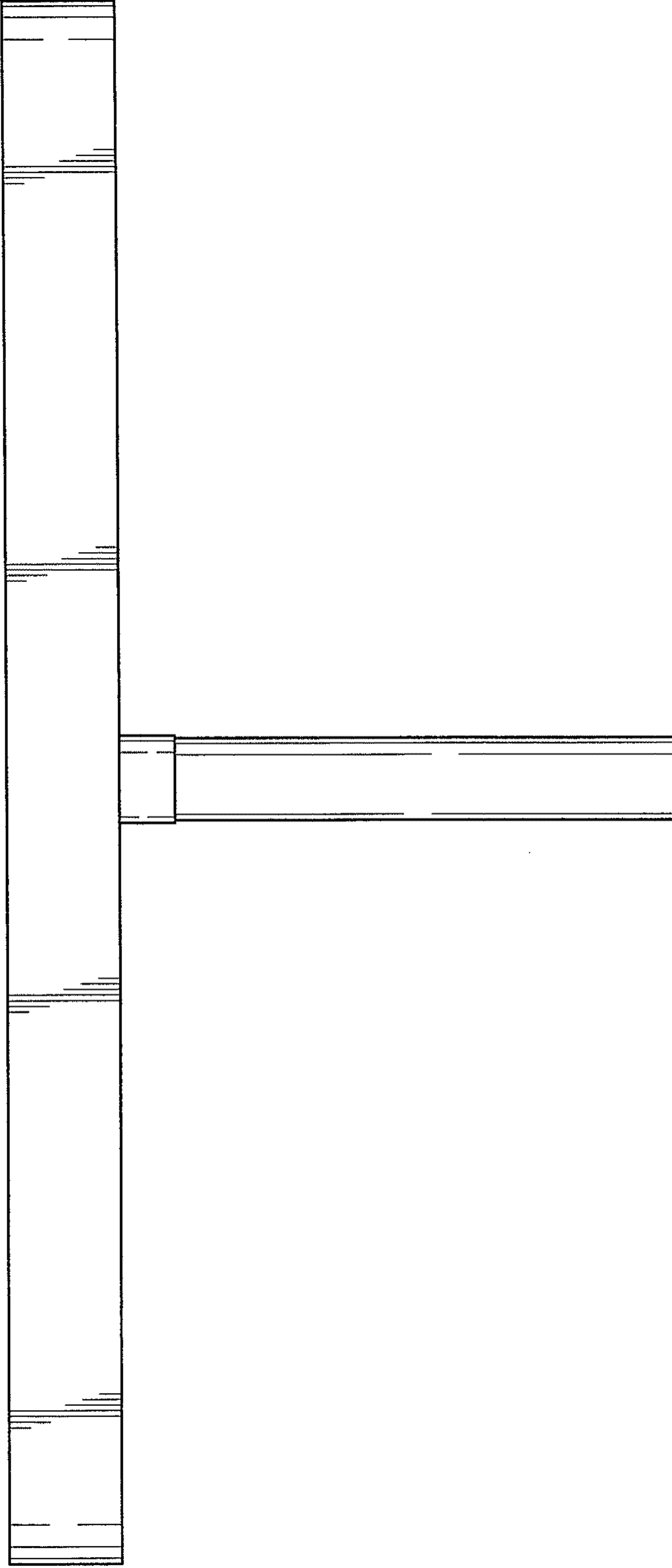


Fig. 4

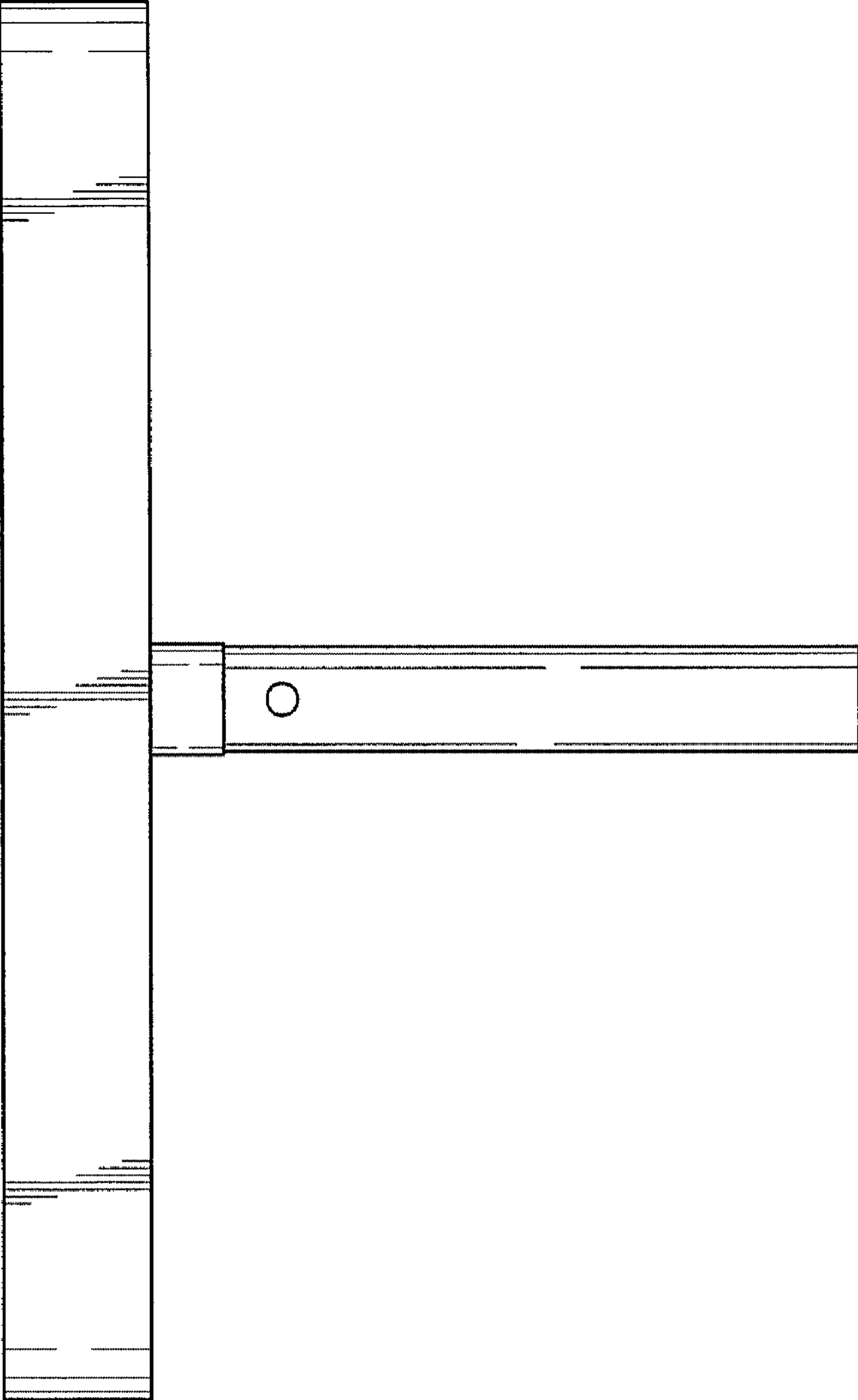


Fig. 5

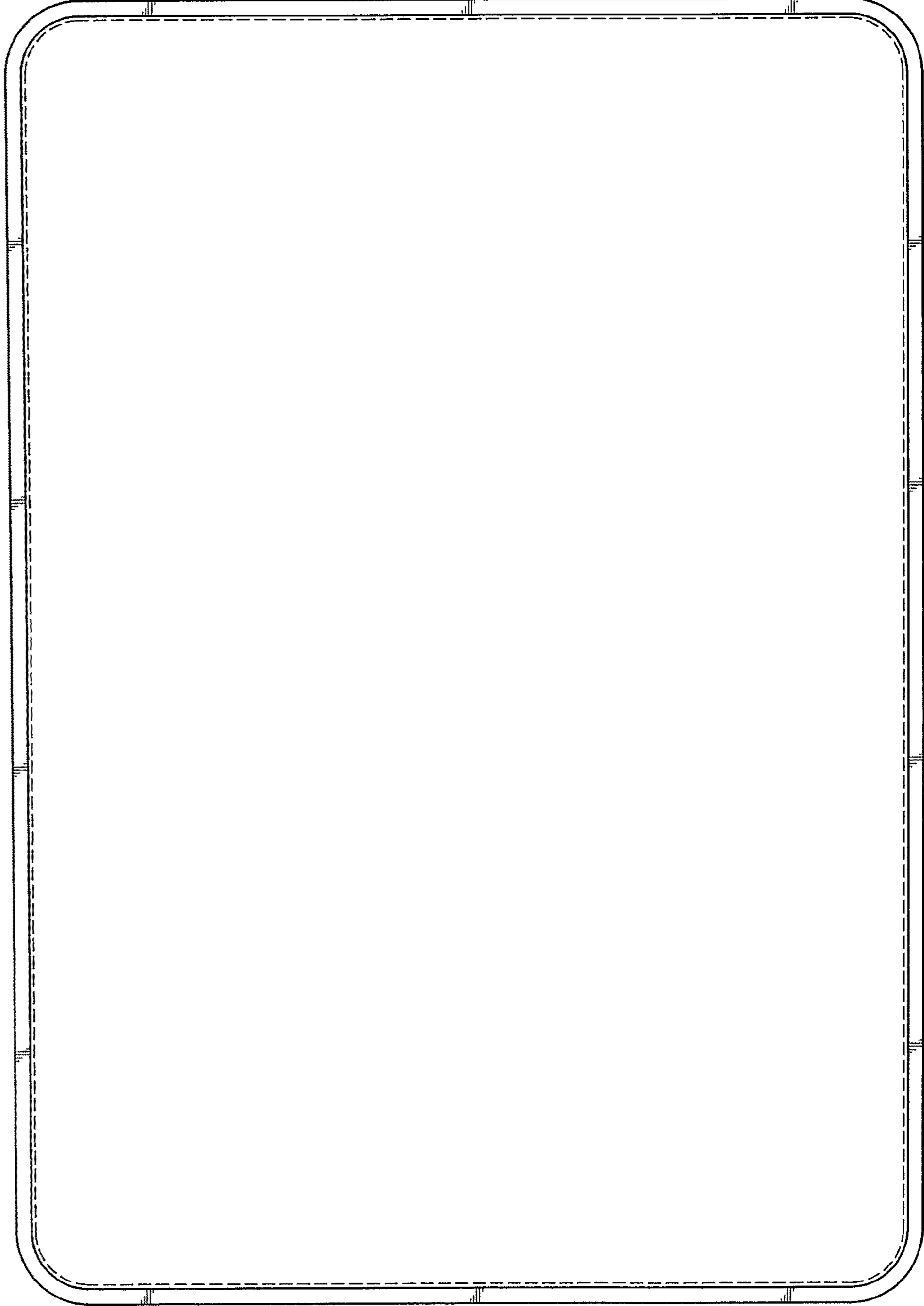


Fig. 6

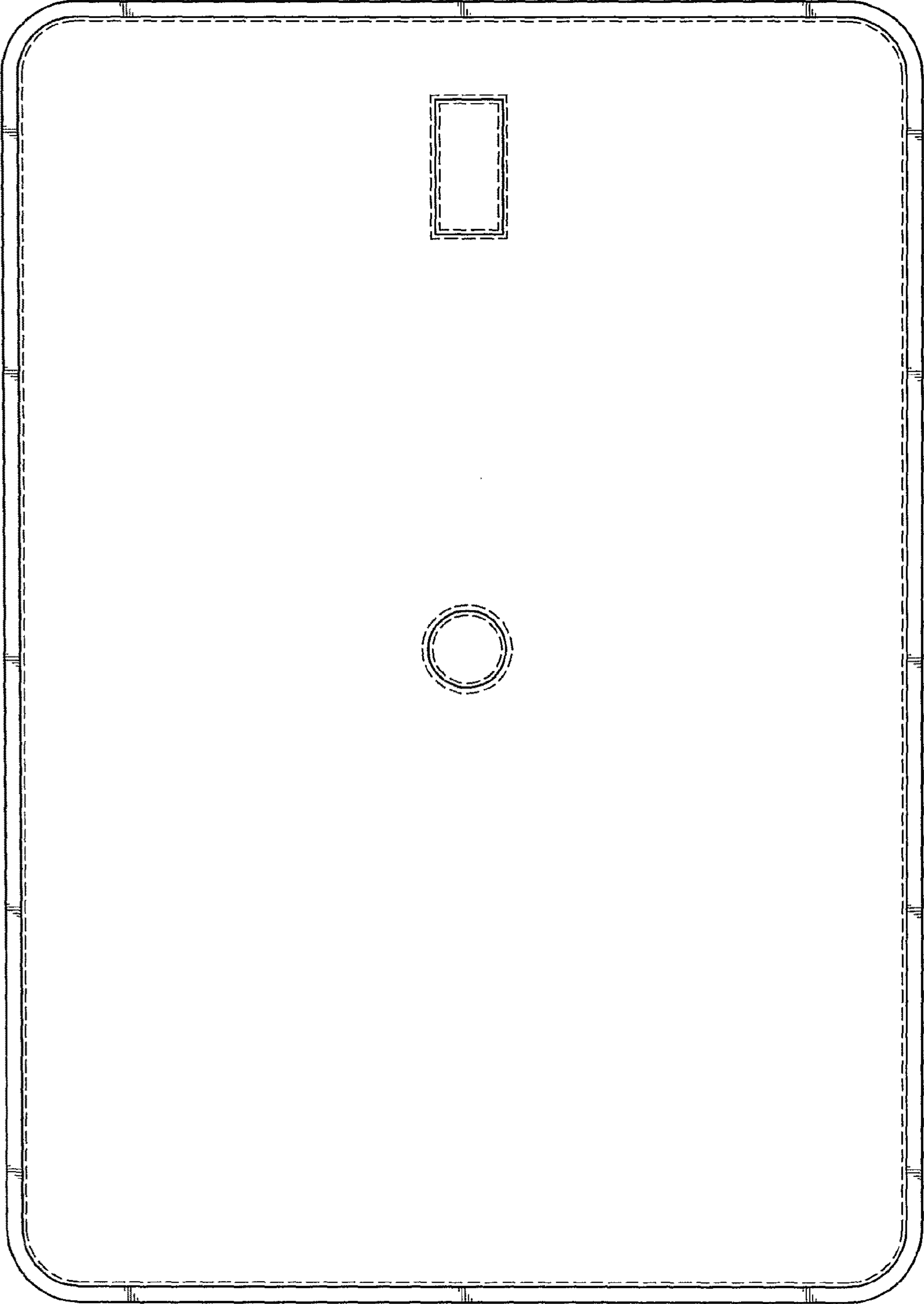


Fig. 7