



US00D645196S

(12) **United States Design Patent**  
**Hickok**

(10) **Patent No.:** **US D645,196 S**

(45) **Date of Patent:** **\*\* \*Sep. 13, 2011**

(54) **OLED LUMINAIRE**

(75) Inventor: **John Timothy Hickok**, Social Circle, GA (US)

(73) Assignee: **ABL IP Holding, LLC**, Conyers, GA (US)

(\*\*) Term: **14 Years**

(21) Appl. No.: **29/361,264**

(22) Filed: **May 7, 2010**

(51) **LOC (9) Cl.** ..... **26-03**

(52) **U.S. Cl.** ..... **D26/88; D26/120**

(58) **Field of Classification Search** ..... D26/84–92,  
D26/120, 128–130; 362/84, 147, 404–408,  
362/431, 432

See application file for complete search history.

(56) **References Cited**

**U.S. PATENT DOCUMENTS**

D185,976	S	*	8/1959	Meyer	.....	D26/122
D192,608	S	*	4/1962	Cooke	.....	D26/76
D203,405	S	*	1/1966	Crawford	.....	D26/90
D205,004	S	*	6/1966	Puszka	.....	D26/122
6,755,550	B1	*	6/2004	Lackey	.....	362/147
6,807,785	B2	*	10/2004	Lynch et al.	.....	52/506.06
6,952,079	B2	*	10/2005	Shiang et al.	.....	313/506
D548,872	S	*	8/2007	Dubbeldam et al.	.....	D26/85
D581,090	S	*	11/2008	Colleran et al.	.....	D26/122
D584,440	S	*	1/2009	Allen	.....	D26/76
D599,948	S	*	9/2009	Armbruster	.....	D26/91
D600,394	S	*	9/2009	Armbruster	.....	D26/91
D618,842	S	*	6/2010	Ngai et al.	.....	D26/88
D623,793	S	*	9/2010	Ngai et al.	.....	D26/88
D623,795	S	*	9/2010	Ngai et al.	.....	D26/88

**OTHER PUBLICATIONS**

Web page, [www.tomdixon.net](http://www.tomdixon.net), "Philips Collaboration: Flat Lamp," Apr. 12, 2010, <<http://www.tomdixon.net/news/2010/04/philips-collaboration-flat-lamp>>.

Lumiblade Products brochure, Koninklijke Philips Electronics N.V., Tom Dixon "Flat Lamp," undated.

\* cited by examiner

*Primary Examiner* — Clare E Heflin

(74) *Attorney, Agent, or Firm* — Beeson Skinner Beverly, LLP

(57) **CLAIM**

The ornamental design for an OLED luminaire, as shown and described.

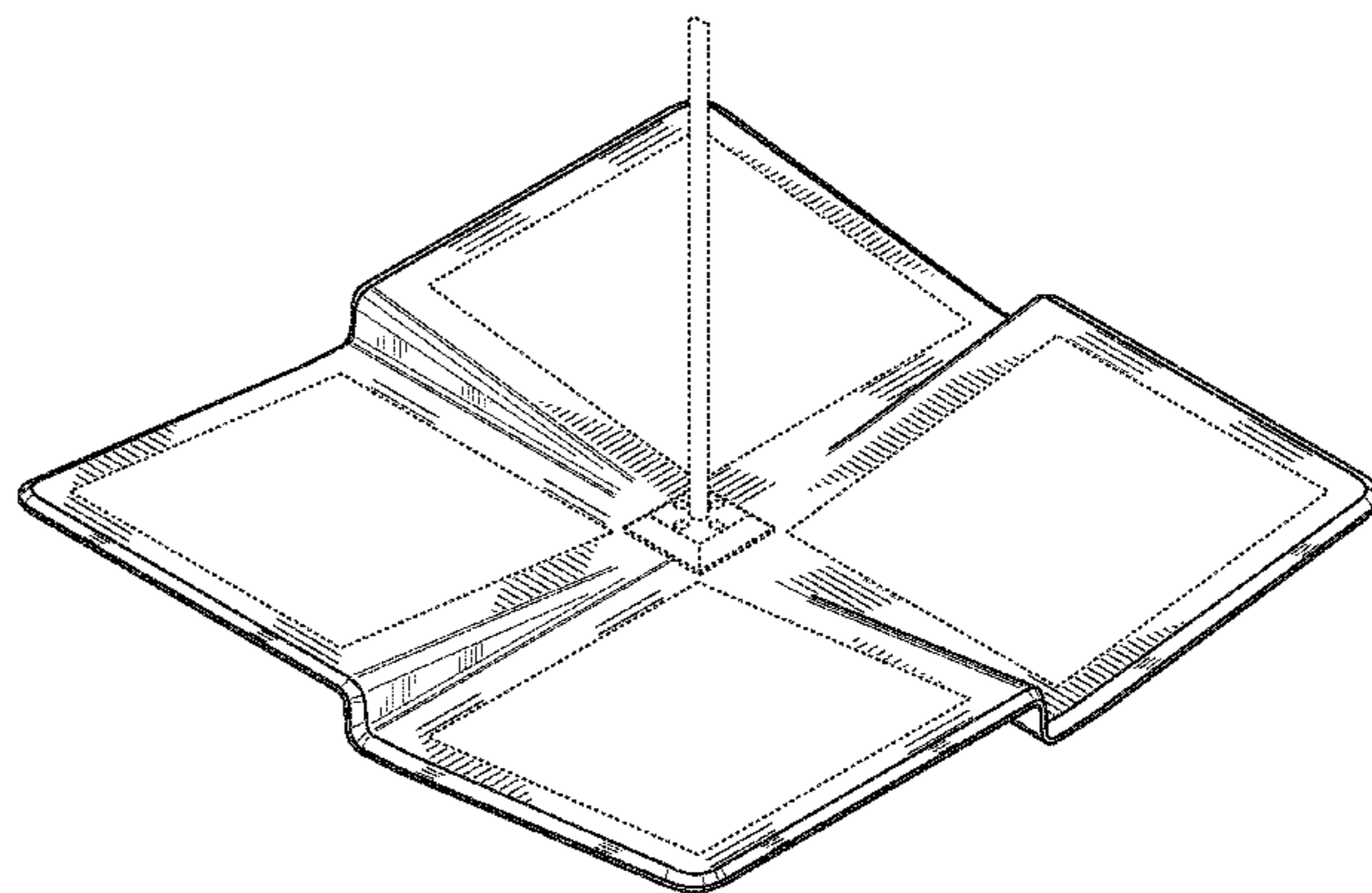
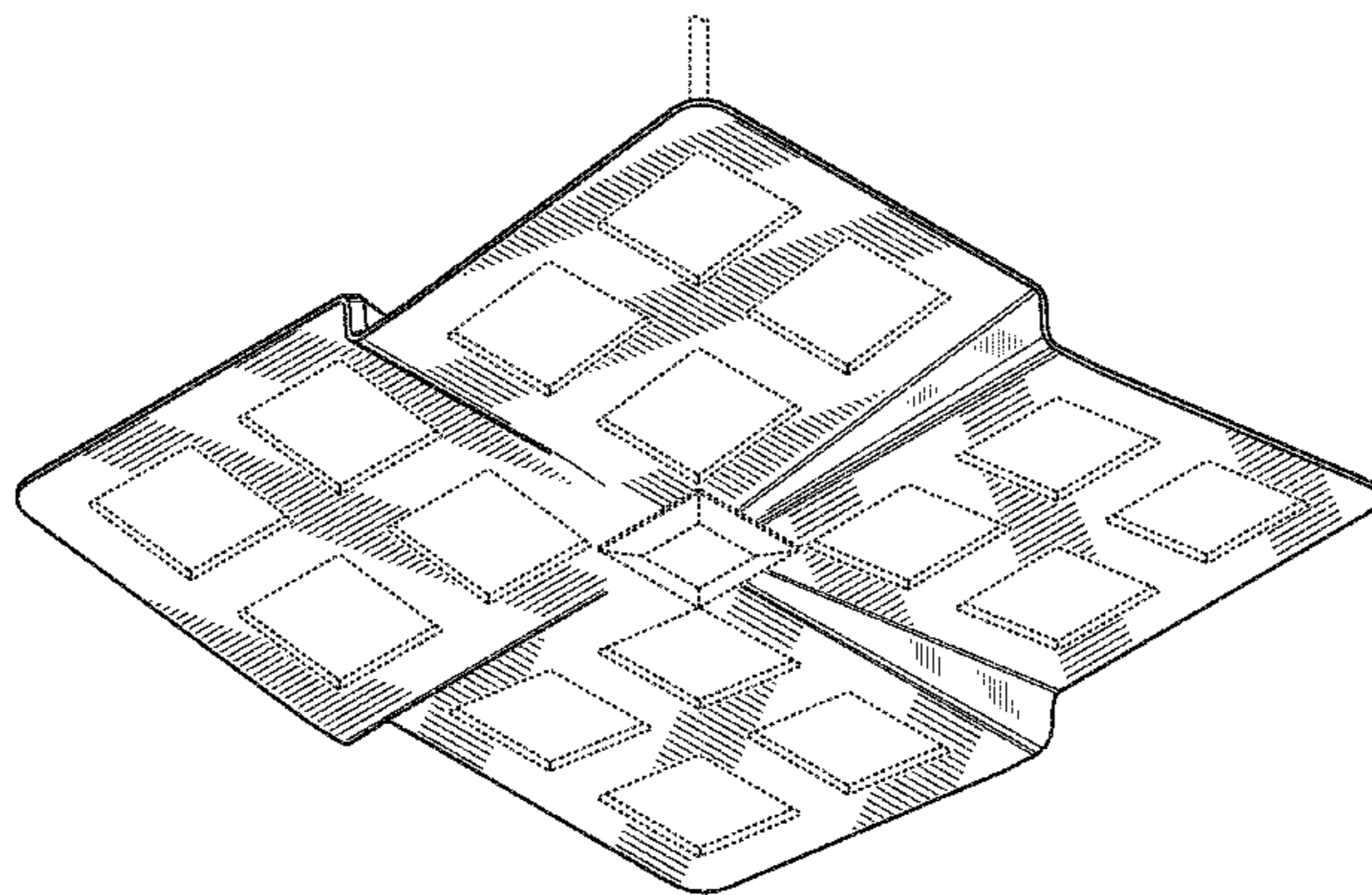
**DESCRIPTION**

FIG. 1 is a bottom perspective view of an OLED luminaire showing my new design; FIG. 2 is a top perspective view thereof; FIG. 3 is a side elevational view thereof; the other three sides being identical thereto; FIG. 4 is a top plan view thereof; and, FIG. 5 is a bottom plan view thereof.

"OLED" means Organic Light-Emitting Diode. The characteristic feature of the design resides in the overall shape of the OLED luminaire. The body of the OLED luminaire can be transparent, translucent, or opaque; or different portions of the OLED luminaire body can be transparent, translucent, or opaque.

The broken line showing of OLED light sources on the bottom of the luminaire, and the broken line showing of suspension elements for the OLED luminaire, are provided for illustrative purposes only and form no part of the claimed design. The broken line squares on top of the luminaire shown in FIGS. 2-4 represent the bounds of the claimed design with the unshaded areas inside the squares forming no part of the claimed design.

**1 Claim, 4 Drawing Sheets**



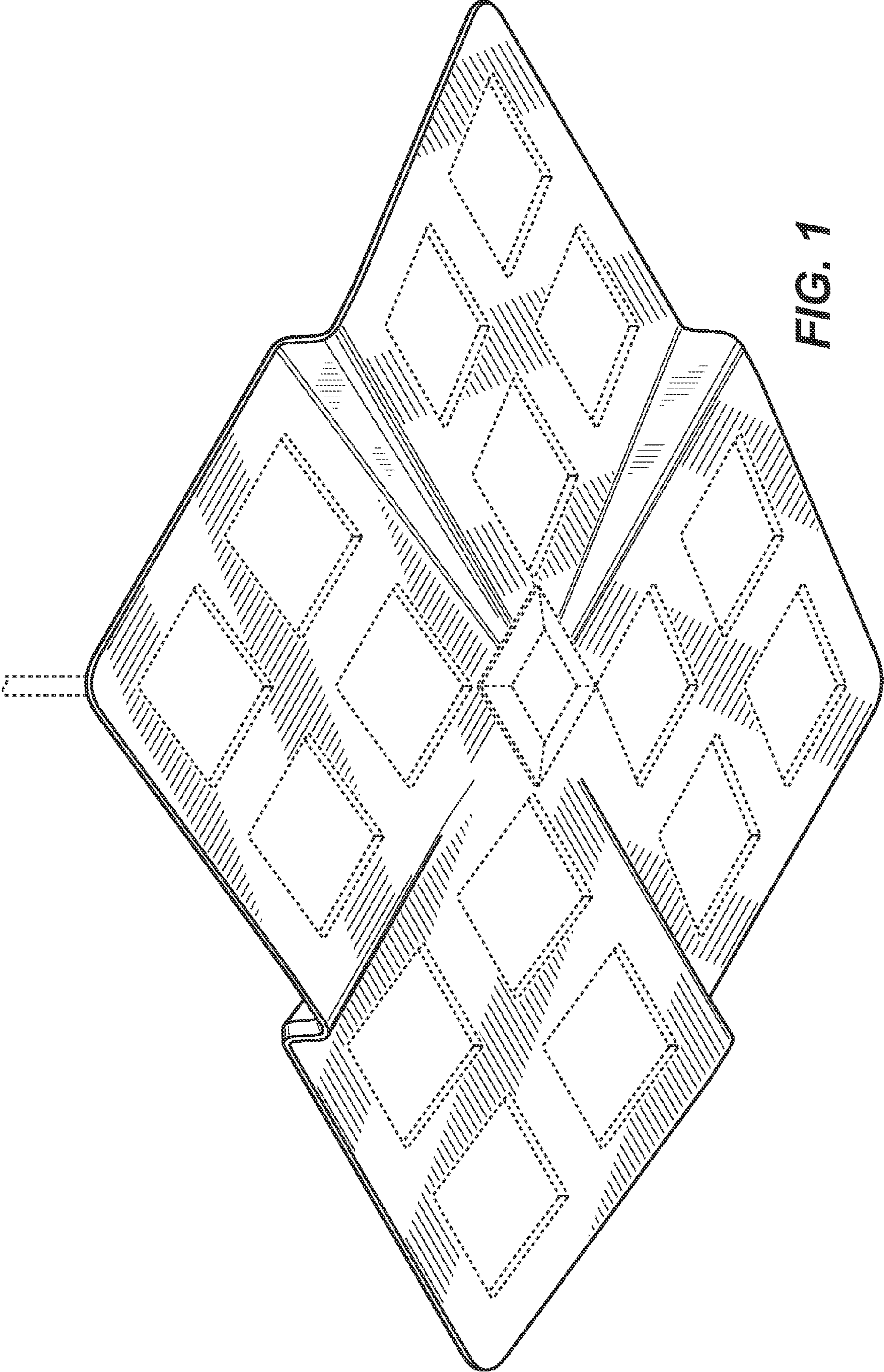


FIG. 1

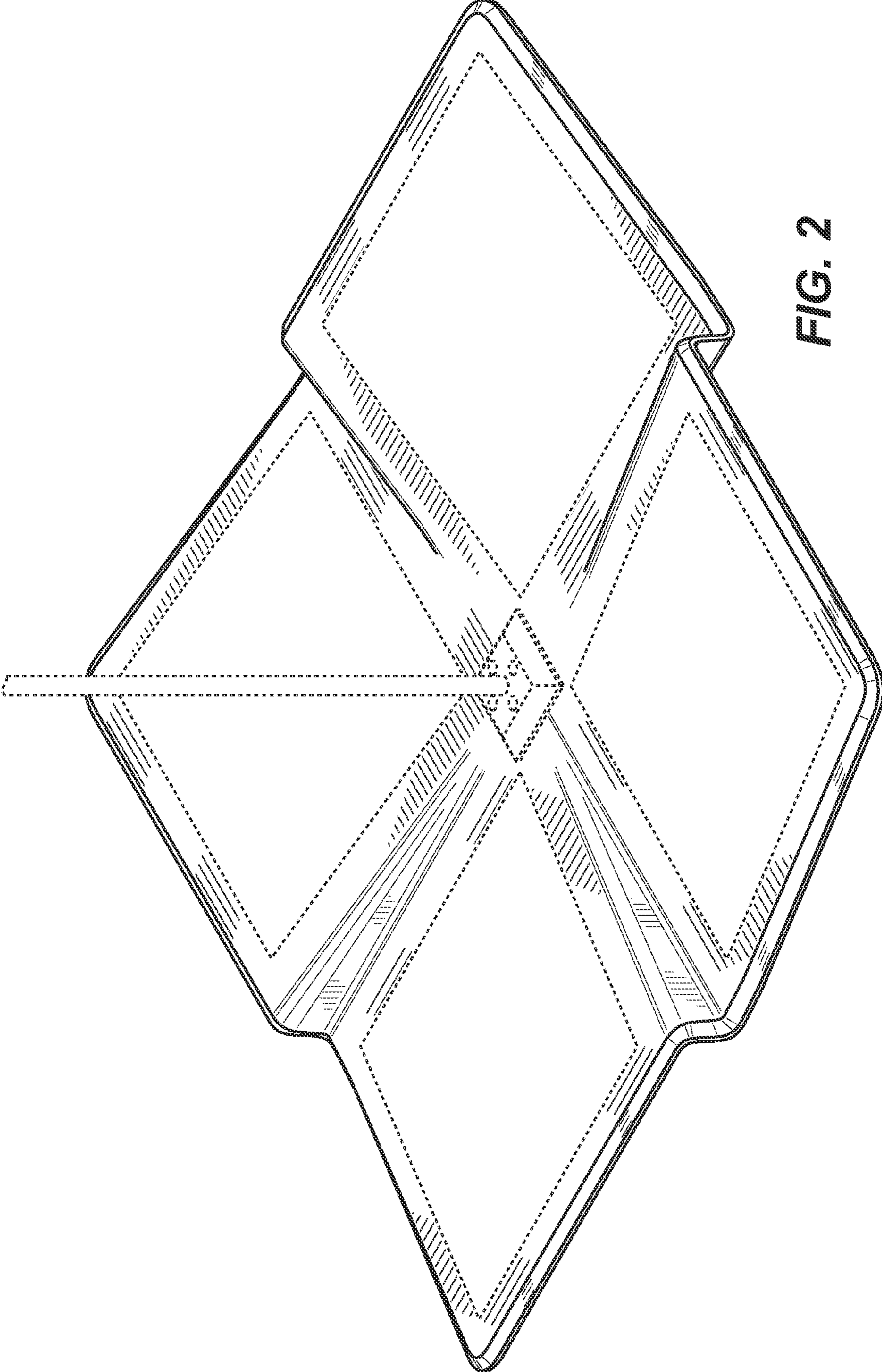
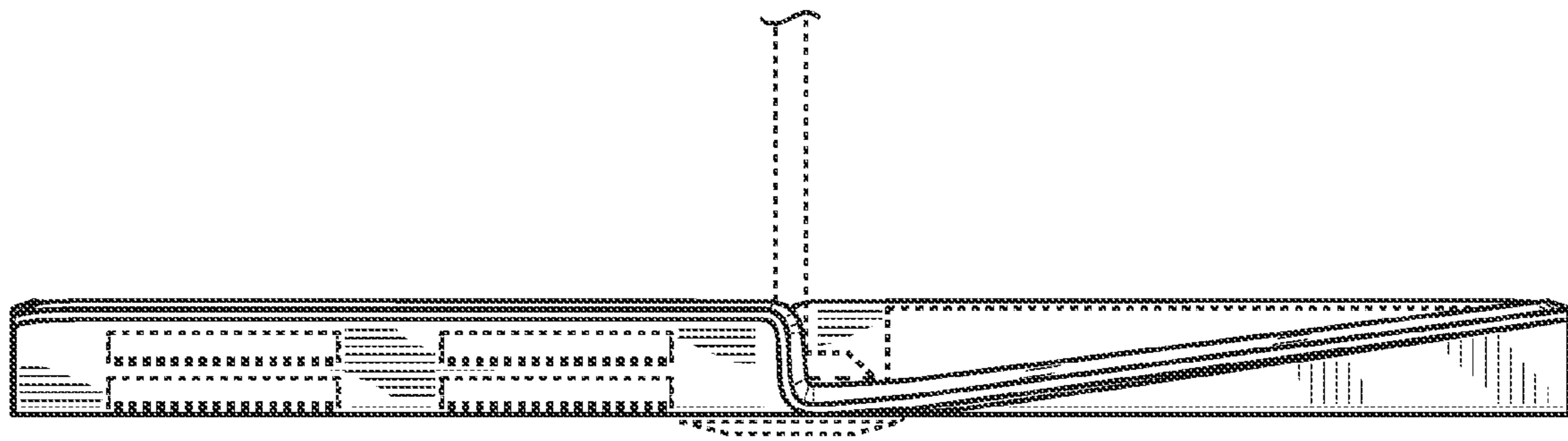
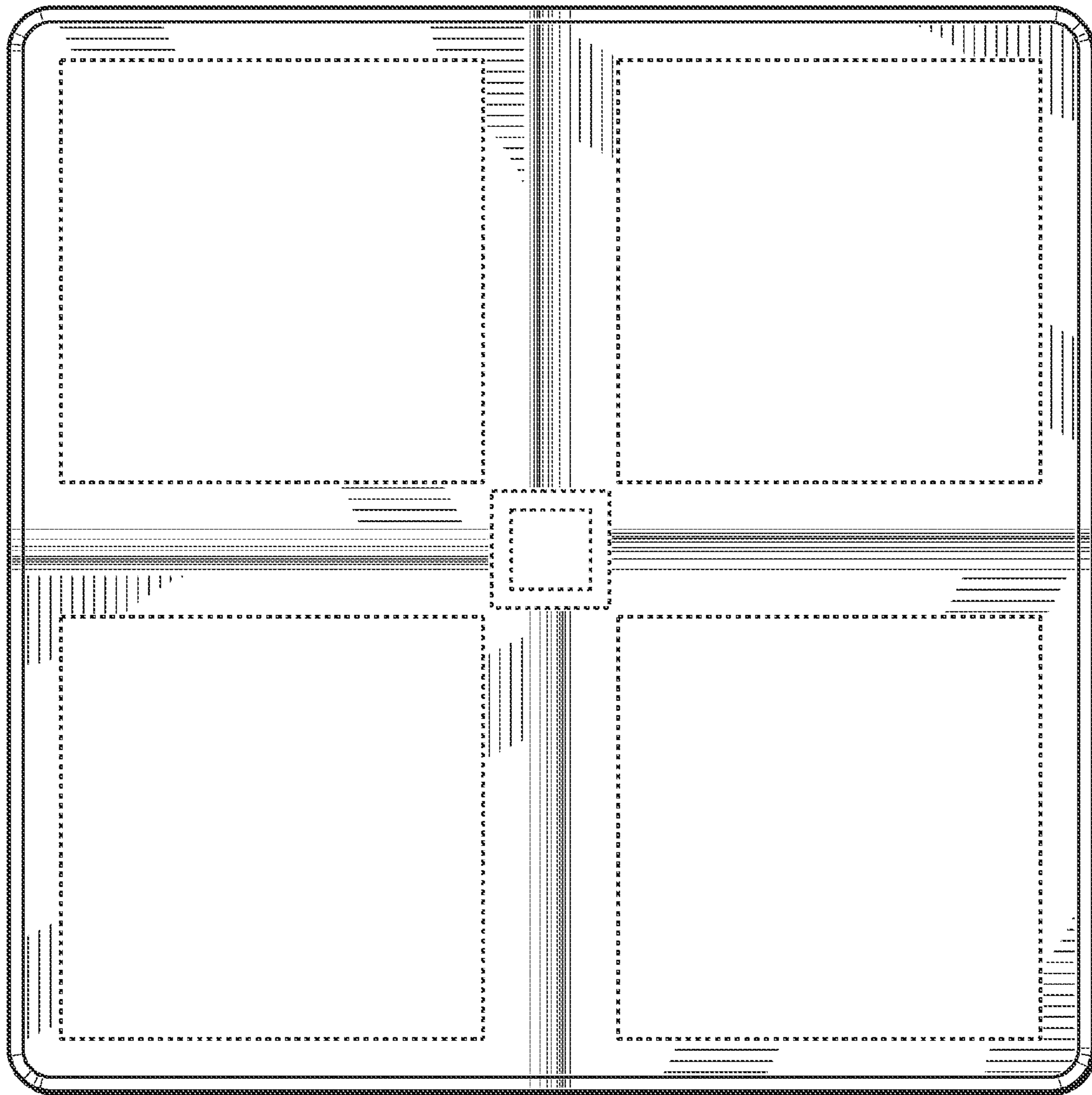


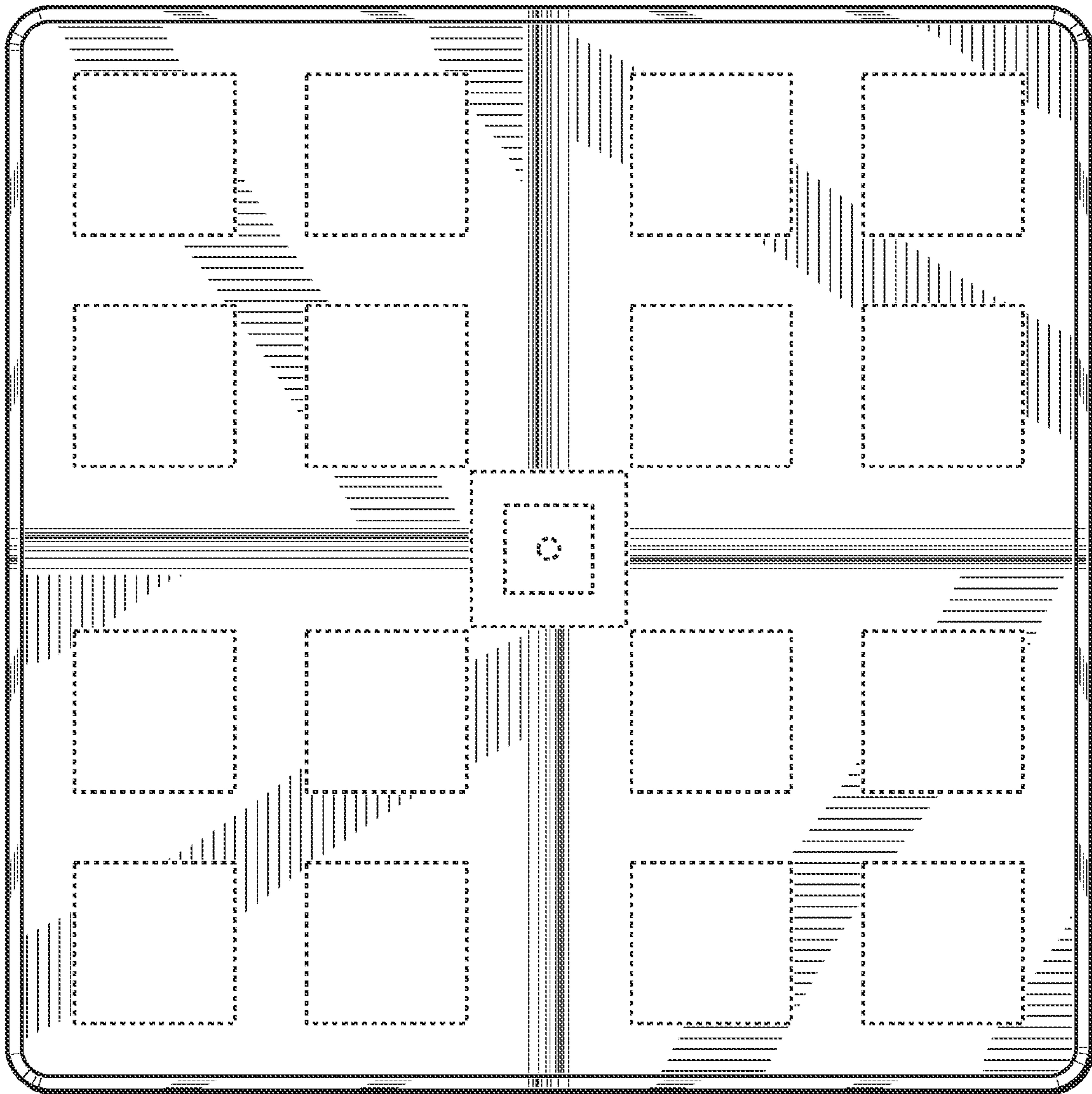
FIG. 2



**FIG. 3**



**FIG. 4**



**FIG. 5**