



US00D645195S

(12) **United States Design Patent**  
**Walsh**

(10) **Patent No.:** **US D645,195 S**

(45) **Date of Patent:** **\*\* Sep. 13, 2011**

(54) **LIGHTING FIXTURE**

(75) Inventor: **William Walsh**, Seattle, WA (US)

(73) Assignee: **The L.D. Kichler Co.**, Cleveland, OH (US)

(\*\*) Term: **14 Years**

(21) Appl. No.: **29/349,433**

(22) Filed: **Apr. 1, 2010**

(51) **LOC (9) Cl.** ..... **26-03**

(52) **U.S. Cl.** ..... **D26/86; D26/88**

(58) **Field of Classification Search** ..... D26/85,  
D26/87, 88, 90, 91, 118, 128-130, 137, 144;  
362/147, 404-408, 431, 432

See application file for complete search history.

(56) **References Cited**

**U.S. PATENT DOCUMENTS**

D37,426 S *	5/1905	Gothberg .....	D26/91
D79,250 S *	8/1929	Rosenblatt .....	D26/91
D80,493 S *	2/1930	Rosenblatt .....	D26/91
D81,889 S *	8/1930	Rosenblatt .....	D26/91
D84,069 S *	5/1931	Blumenthal .....	D26/91
D317,214 S *	5/1991	Porter .....	D26/130

D368,977 S *	4/1996	Keng .....	D26/129
D403,457 S *	12/1998	Walz .....	D26/85
D481,155 S *	10/2003	Cline et al. ....	D26/128
D484,633 S *	12/2003	Campagna .....	D26/72
D556,936 S *	12/2007	Miranda .....	D26/85
D562,493 S *	2/2008	Chen .....	D26/88
D594,150 S *	6/2009	Sabernig .....	D26/88

**OTHER PUBLICATIONS**

2 Pendants shown circled on sheets from ModernLightingUniverse.com, visited on Jun. 16, 2009. (2 pages).\*

\* cited by examiner

*Primary Examiner* — Clare E Heflin

(74) *Attorney, Agent, or Firm* — Calfee, Halter & Griswold LLP

(57) **CLAIM**

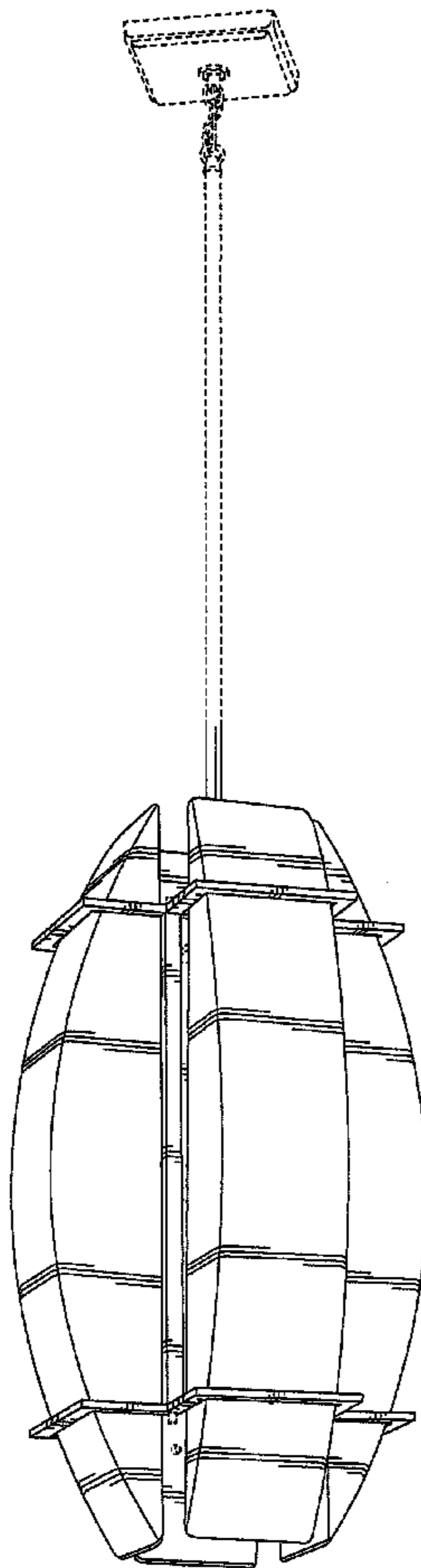
I claim the ornamental designs for a lighting fixture, as shown and described.

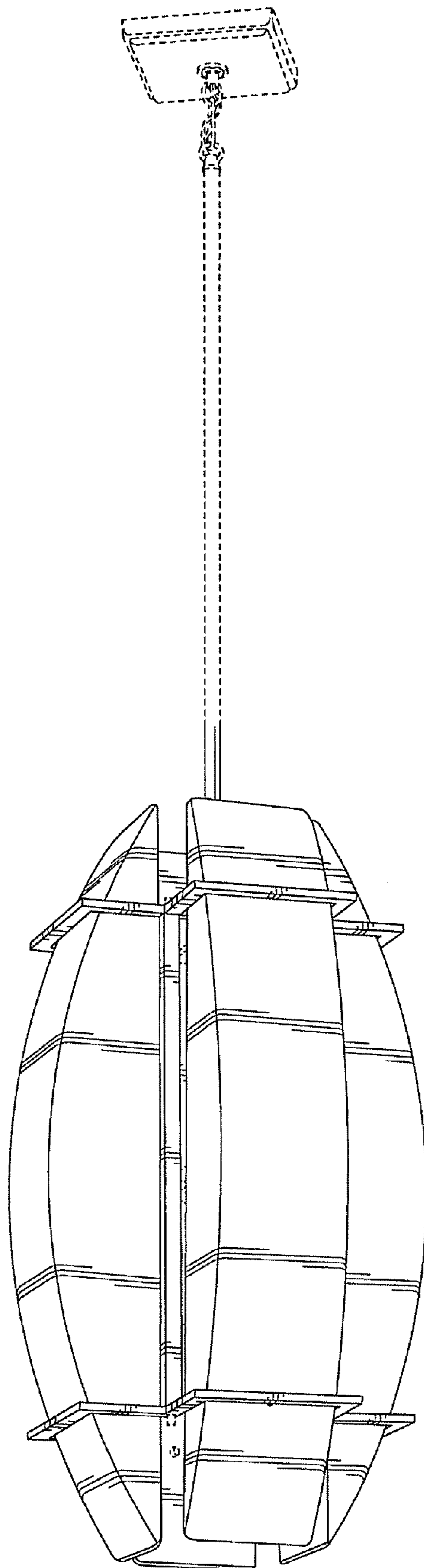
**DESCRIPTION**

FIG. 1 is a perspective view of a lighting fixture. This fixture has four-way, ninety degree overall rotational symmetry; and, FIG. 2 is a top view of the lighting fixture of FIG. 1.

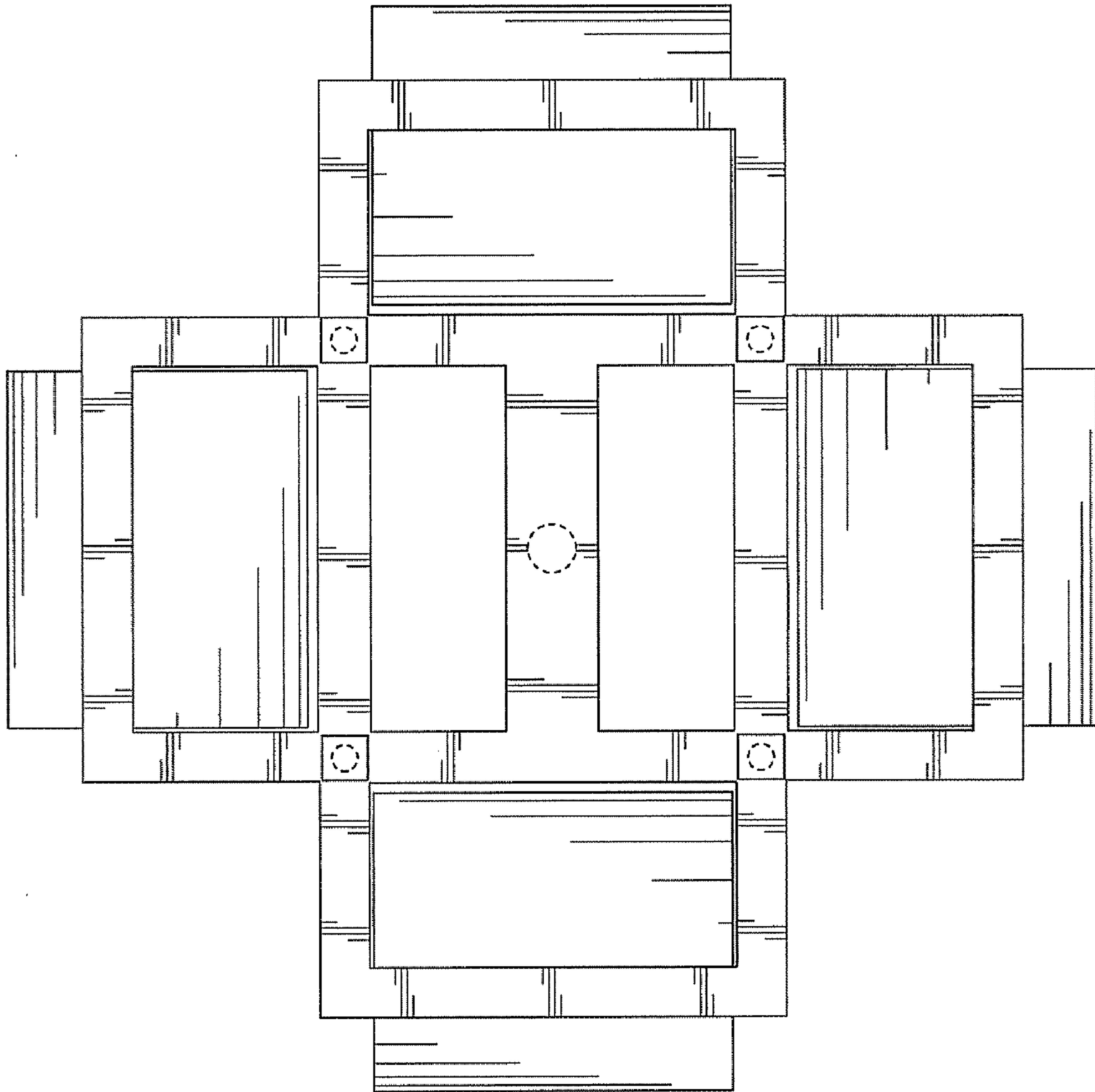
The broken lines shown on the drawing are for illustrative purposes only and form no part of the claimed design.

**1 Claim, 2 Drawing Sheets**





**FIG. 1**



**FIG. 2**