



US00D645194S

(12) **United States Design Patent**  
**Budike, Jr. et al.**

(10) **Patent No.:** **US D645,194 S**

(45) **Date of Patent:** **\*\* Sep. 13, 2011**

(54) **LIGHT FIXTURE**

(75) Inventors: **Lothar E. S. Budike, Jr.**, Villanova, PA (US); **Dave Bina**, Northfield, OH (US)

(73) Assignee: **Powerweb Technologies, Inc.**, Villanova, PA (US)

(\*\*) Term: **14 Years**

(21) Appl. No.: **29/342,765**

(22) Filed: **Aug. 31, 2009**

(51) **LOC (9) Cl.** ..... **26-03**

(52) **U.S. Cl.** ..... **D26/76**

(58) **Field of Classification Search** ..... D26/72, D26/74, 75, 76, 77, 78, 79, 80, 81, 82, 83, D26/84, 85, 86, 88, 89, 90, 91, 1, 2, 3, 24, D26/56; D13/180, 182; 362/555, 576, 147, 362/150, 217.01, 219, 217.02, 217.03, 217.04, 362/217.05, 217.08, 217.09, 260, 364, 365, 362/366, 404, 800

See application file for complete search history.

(56) **References Cited**

U.S. PATENT DOCUMENTS

D393,734 S *	4/1998	Casteel	.....	D26/76
D398,413 S *	9/1998	Compton	.....	D26/76
D429,357 S *	8/2000	Grimm	.....	D26/76
D512,792 S *	12/2005	Benensohn	.....	D26/76
D567,985 S *	4/2008	Komar et al.	.....	D26/84
D570,026 S *	5/2008	Waldmann	.....	D26/76
D573,744 S *	7/2008	Engel	.....	D26/76
D573,745 S *	7/2008	Engel	.....	D26/76
D573,746 S *	7/2008	Engel	.....	D26/76
D574,542 S *	8/2008	Engel	.....	D26/76

D597,701 S *	8/2009	Tran et al.	.....	D26/76
D610,735 S *	2/2010	Chien	.....	D26/76
D617,489 S *	6/2010	Santoro	.....	D26/76

\* cited by examiner

*Primary Examiner* — Angela Lee

(74) *Attorney, Agent, or Firm* — McKenna Long & Aldridge LLP

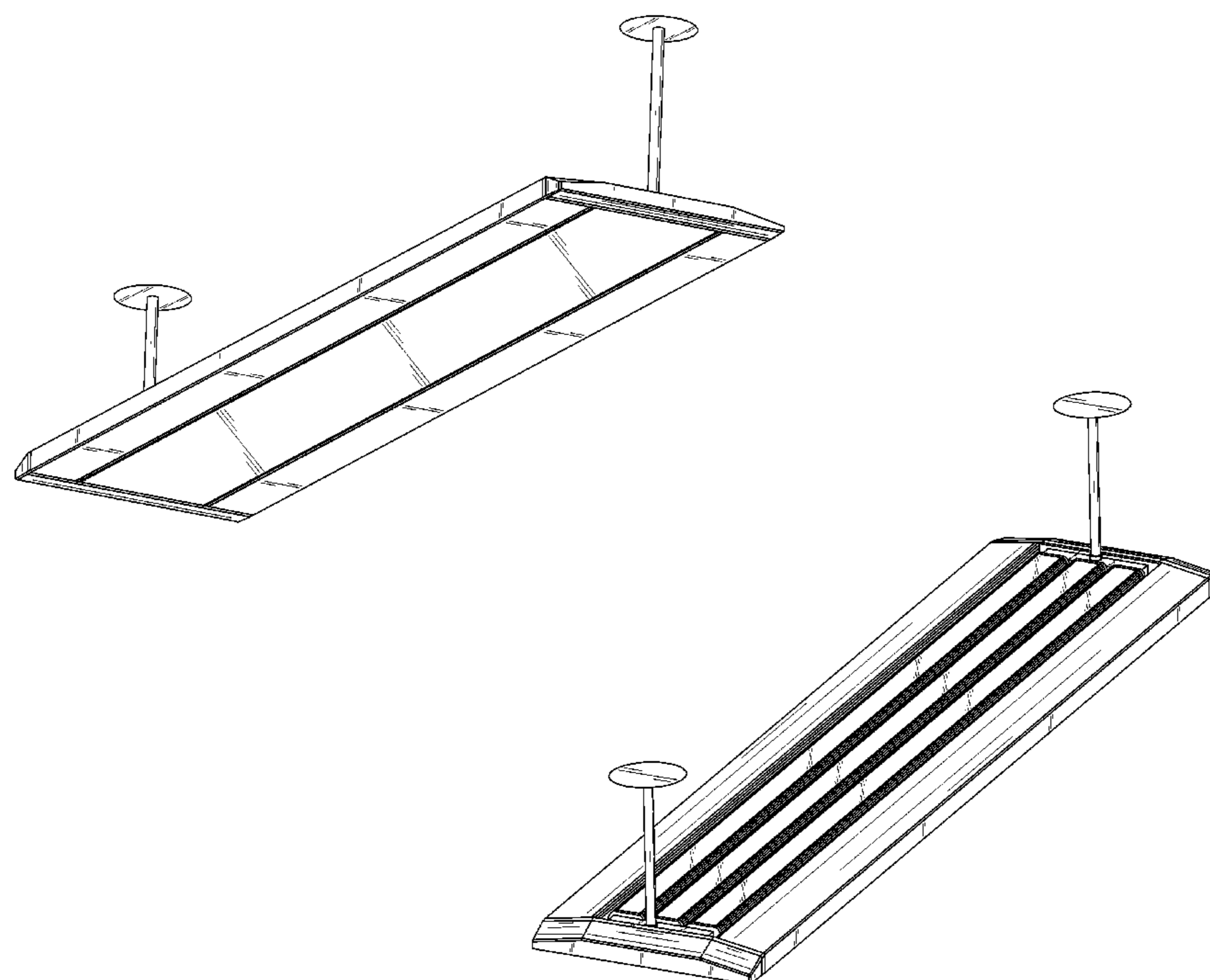
(57) **CLAIM**

The ornamental design for a light fixture, as shown and described.

**DESCRIPTION**

FIG. 1 is a bottom view of a first embodiment of a light fixture showing our new design;  
 FIG. 2 is a top perspective view thereof;  
 FIG. 3 is a right side view thereof;  
 FIG. 4 is a left side view thereof;  
 FIG. 5 is an end view thereof;  
 FIG. 6 is another end view thereof;  
 FIG. 7 is a bottom plan view thereof;  
 FIG. 8 is a top plan view thereof;  
 FIG. 9 is a bottom perspective view of a second embodiment of a light fixture showing our new design;  
 FIG. 10 is a top perspective view thereof;  
 FIG. 11 is a right side view thereof;  
 FIG. 12 is a left side view thereof;  
 FIG. 13 is an end view thereof;  
 FIG. 14 is another end view thereof;  
 FIG. 15 is bottom plan view thereof; and,  
 FIG. 16 is a top plan view thereof.

**1 Claim, 12 Drawing Sheets**



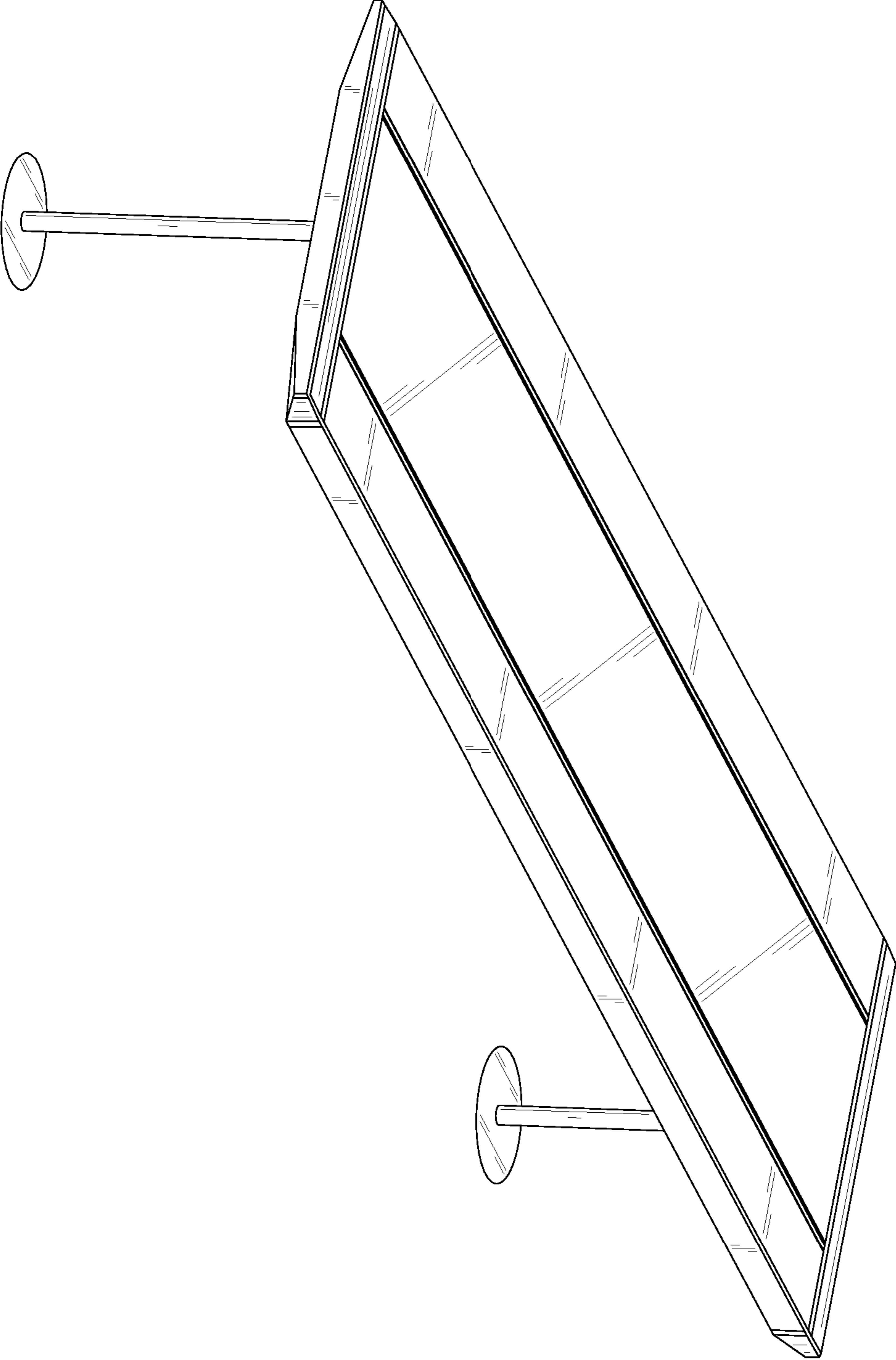


FIG. 1

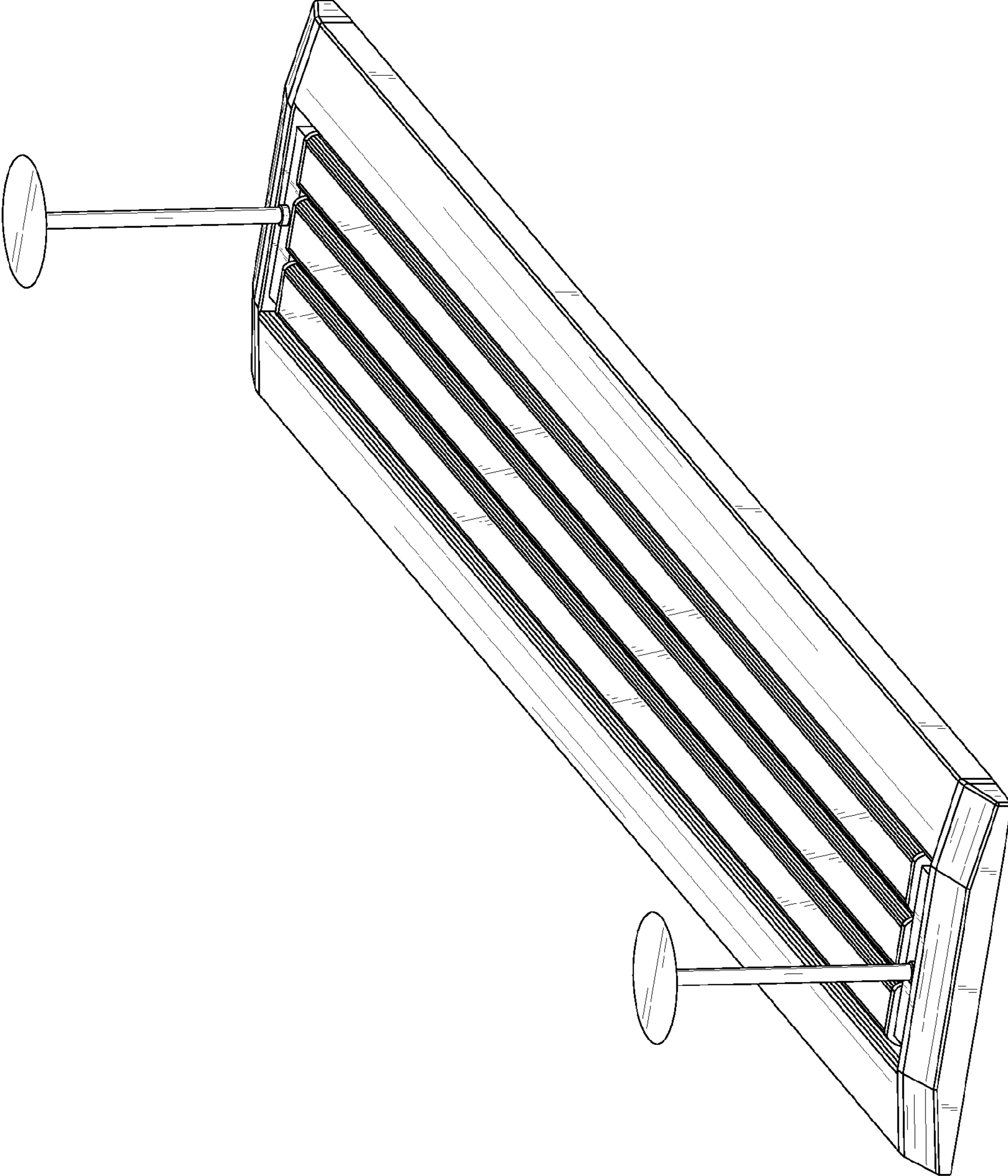


FIG. 2

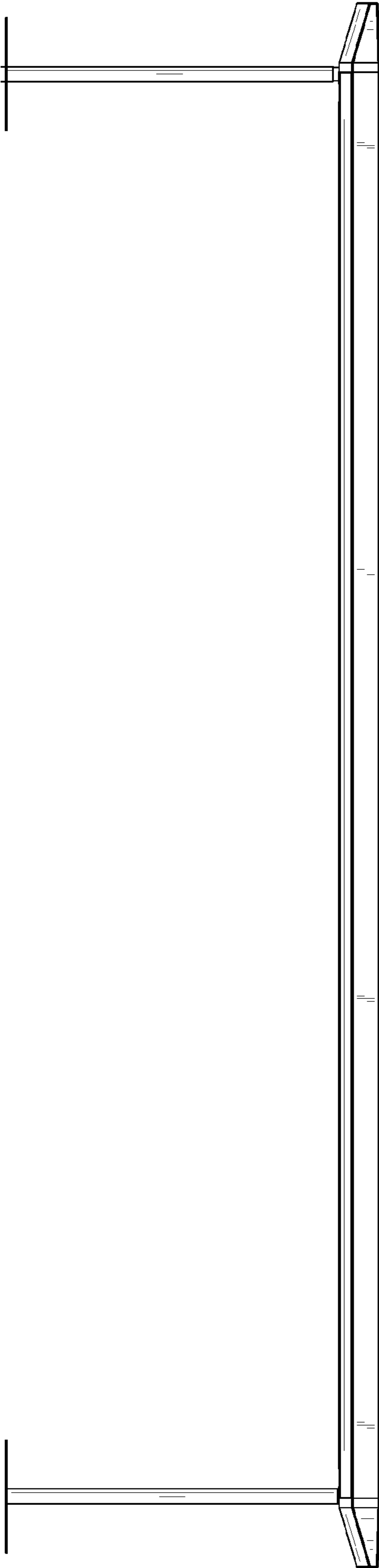


FIG. 3

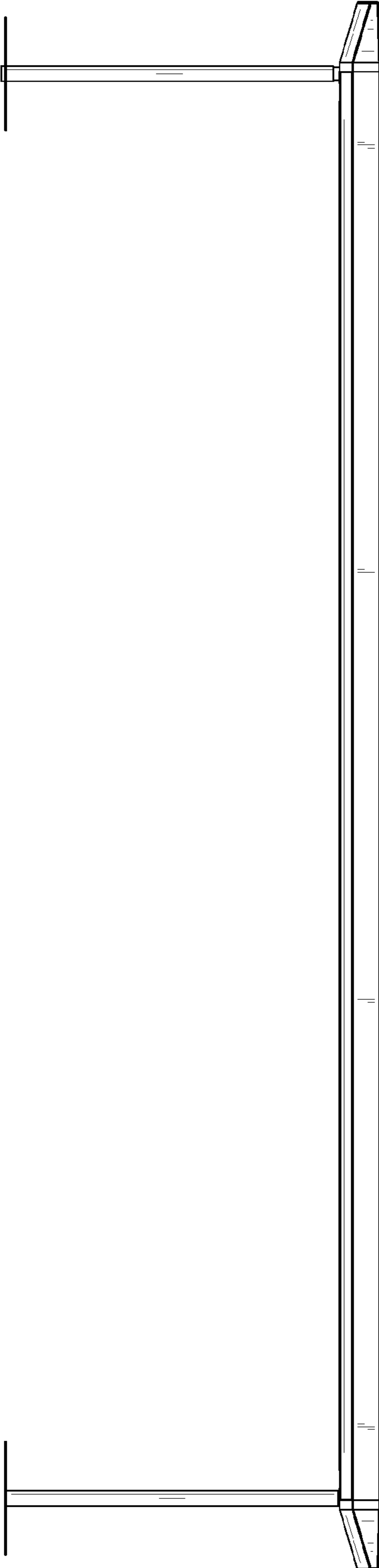


FIG. 4

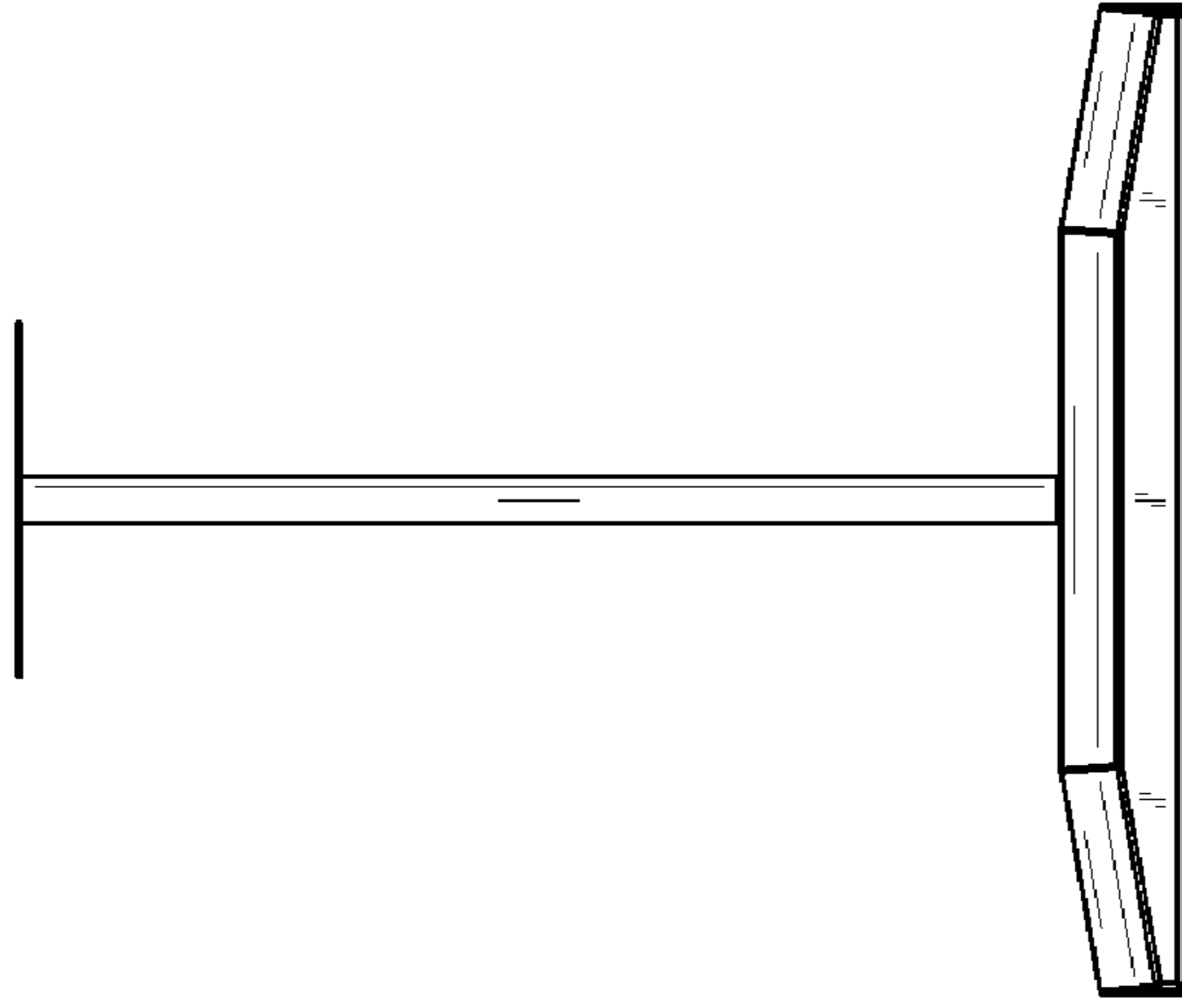


FIG. 6

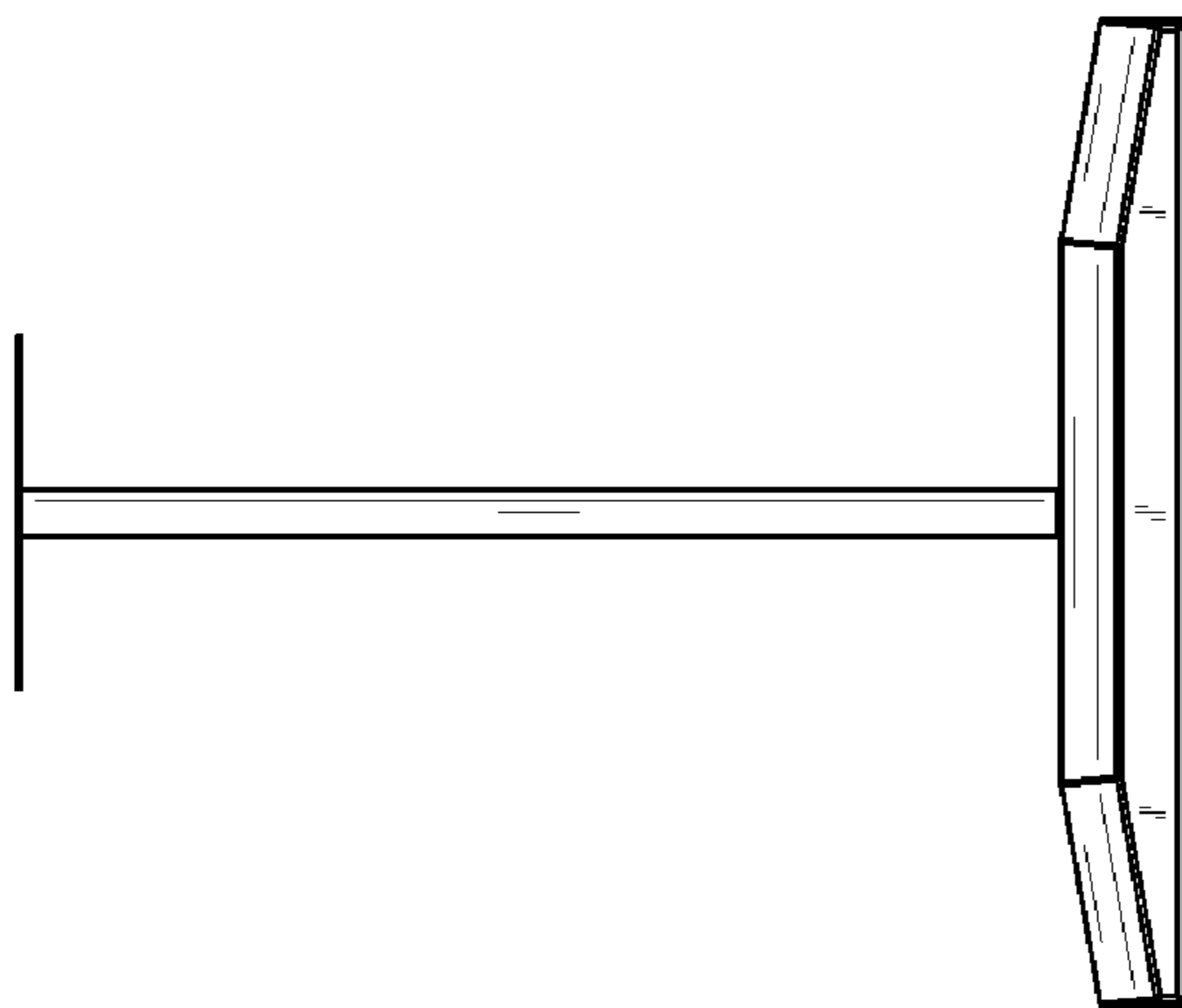


FIG. 5



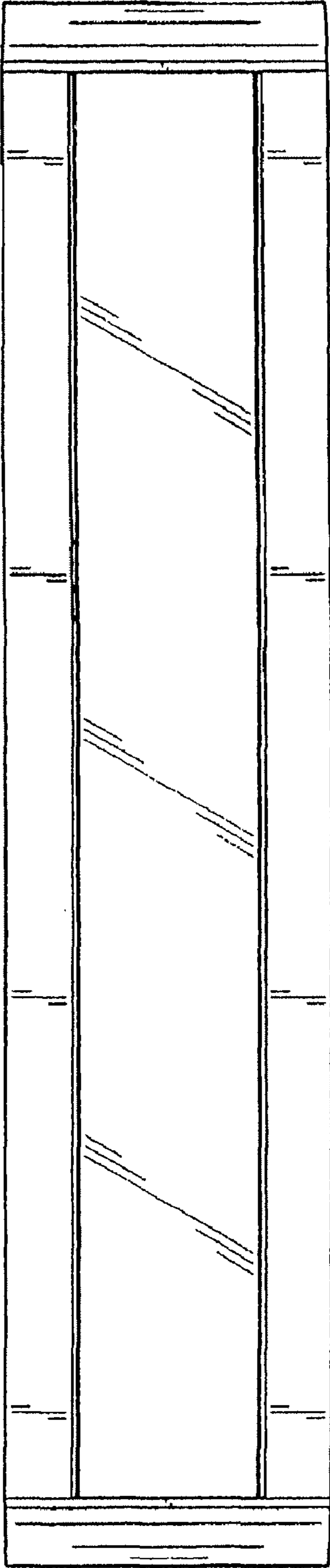


FIG. 7

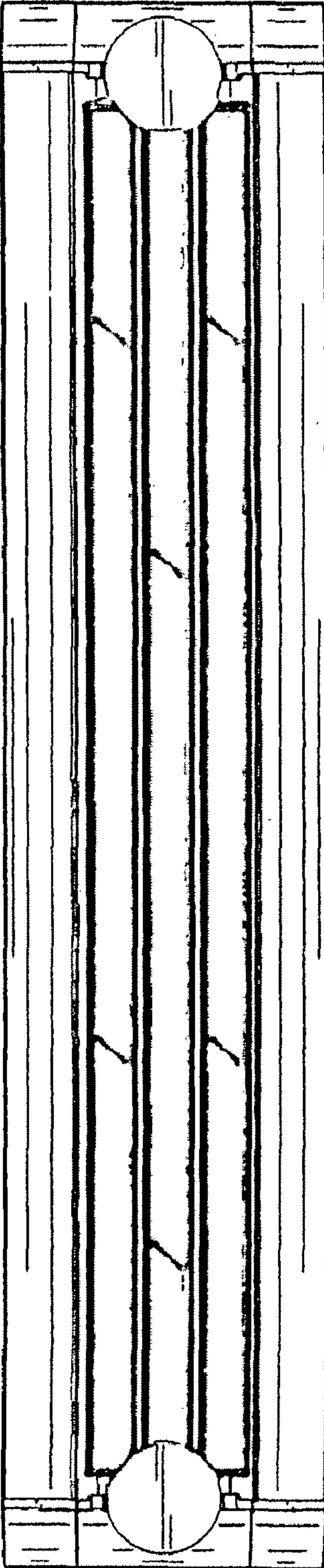
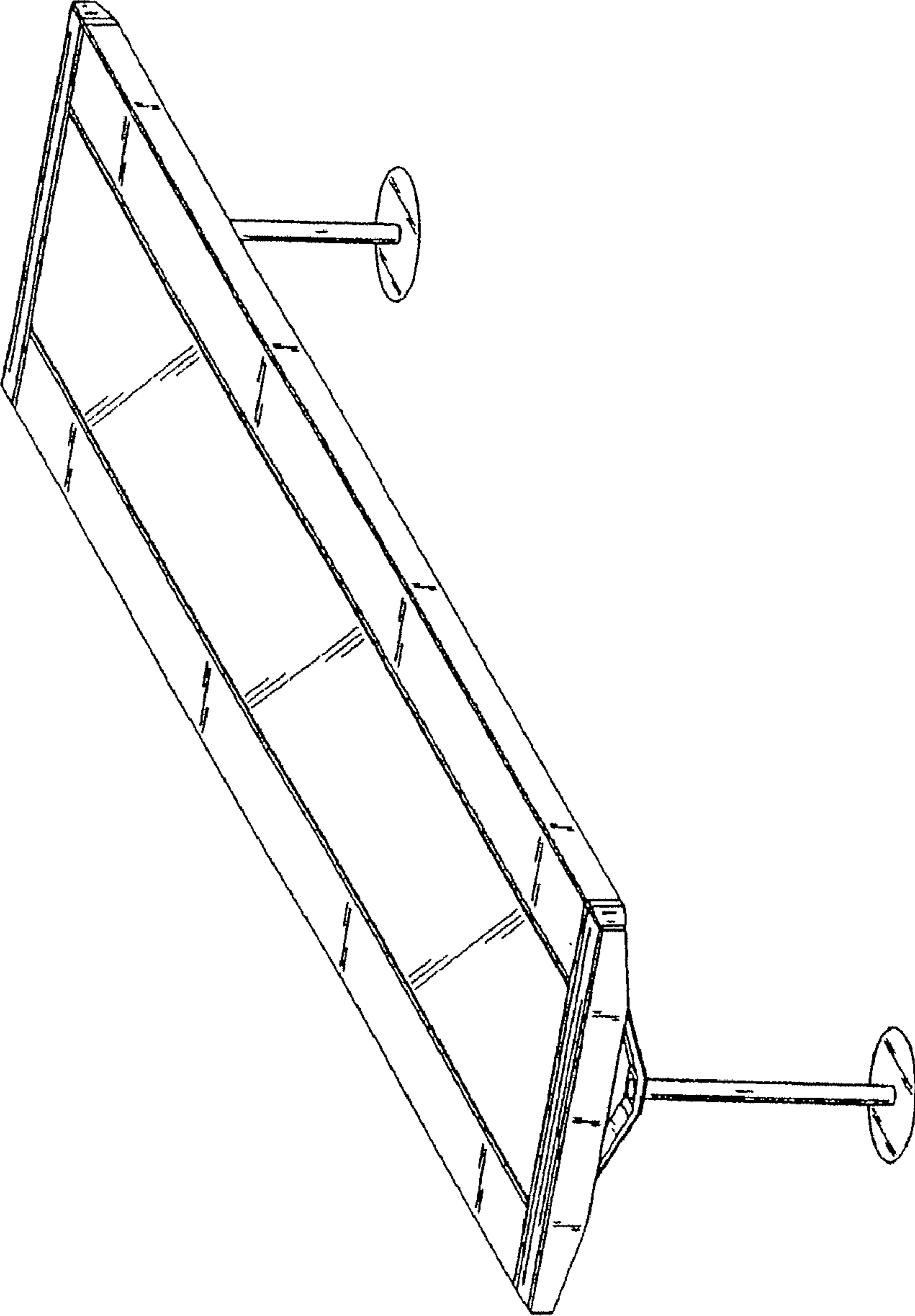


FIG. 8

FIG. 9





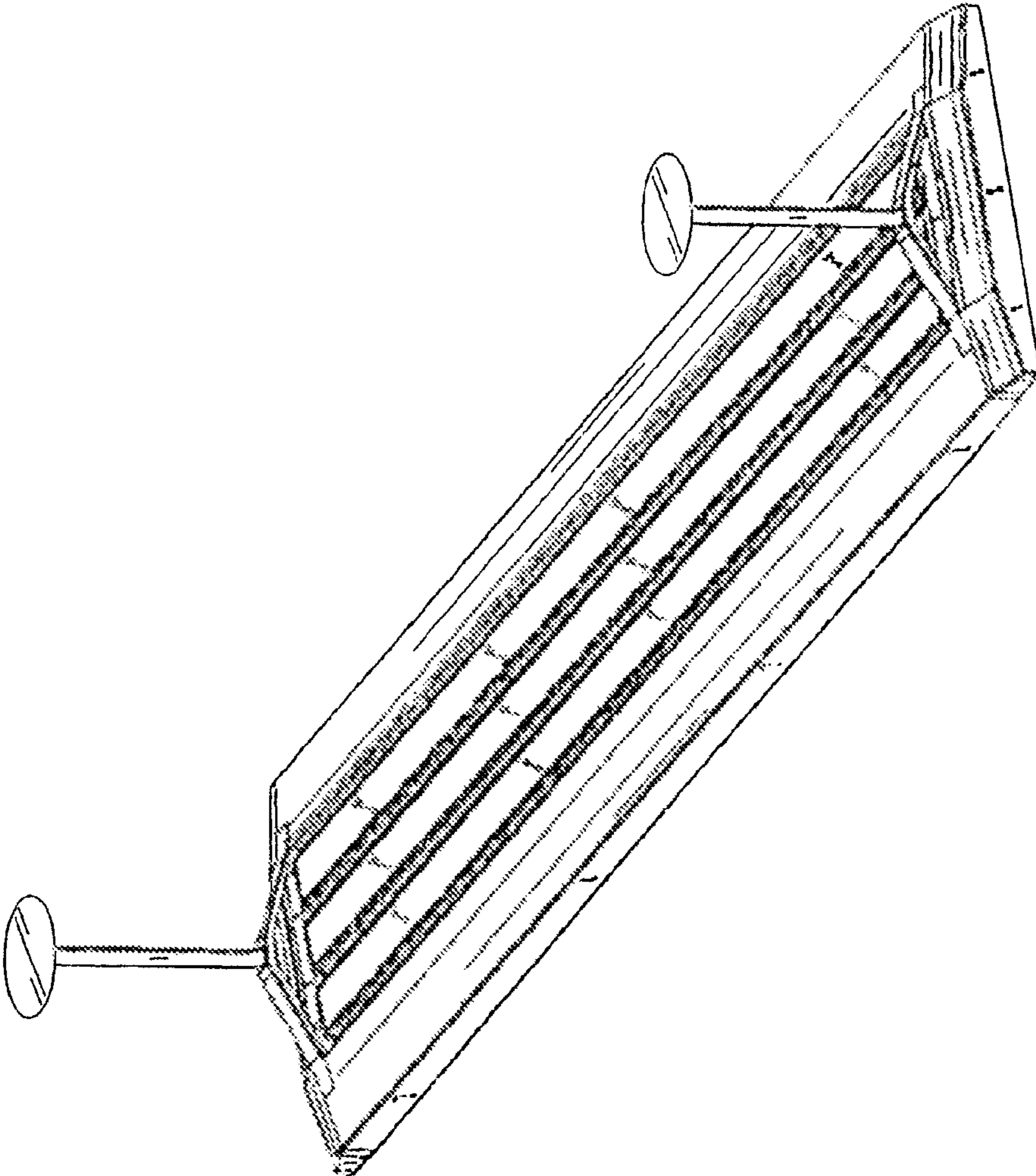


FIG. 10

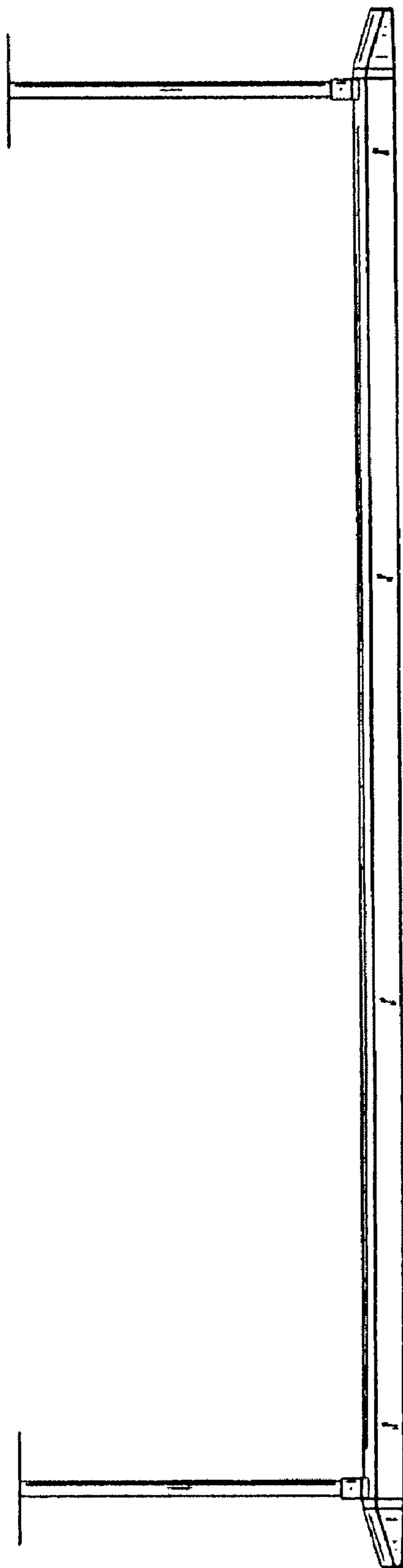


FIG. 11

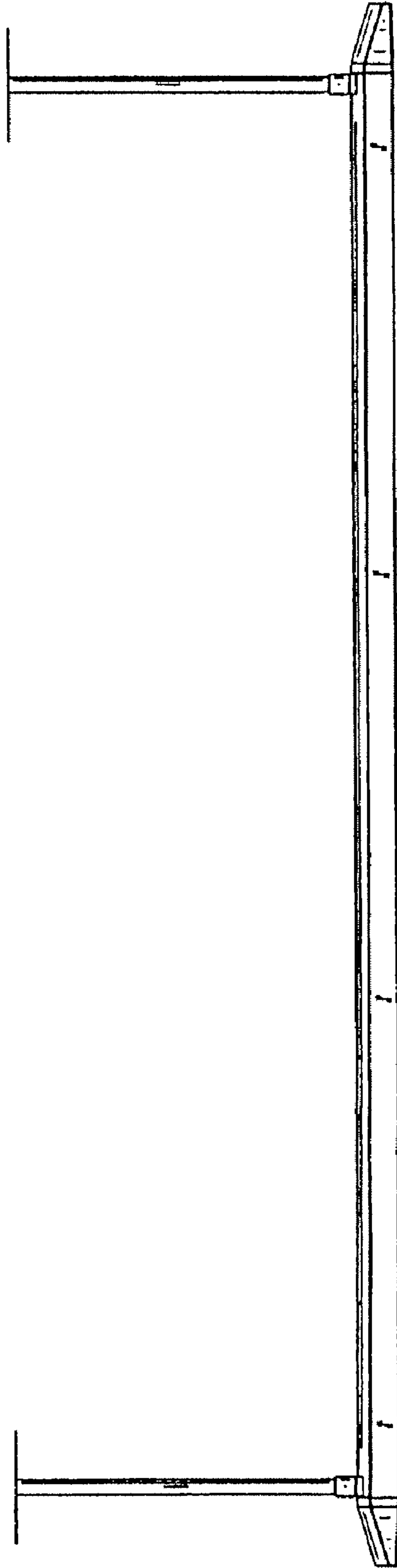


FIG. 12

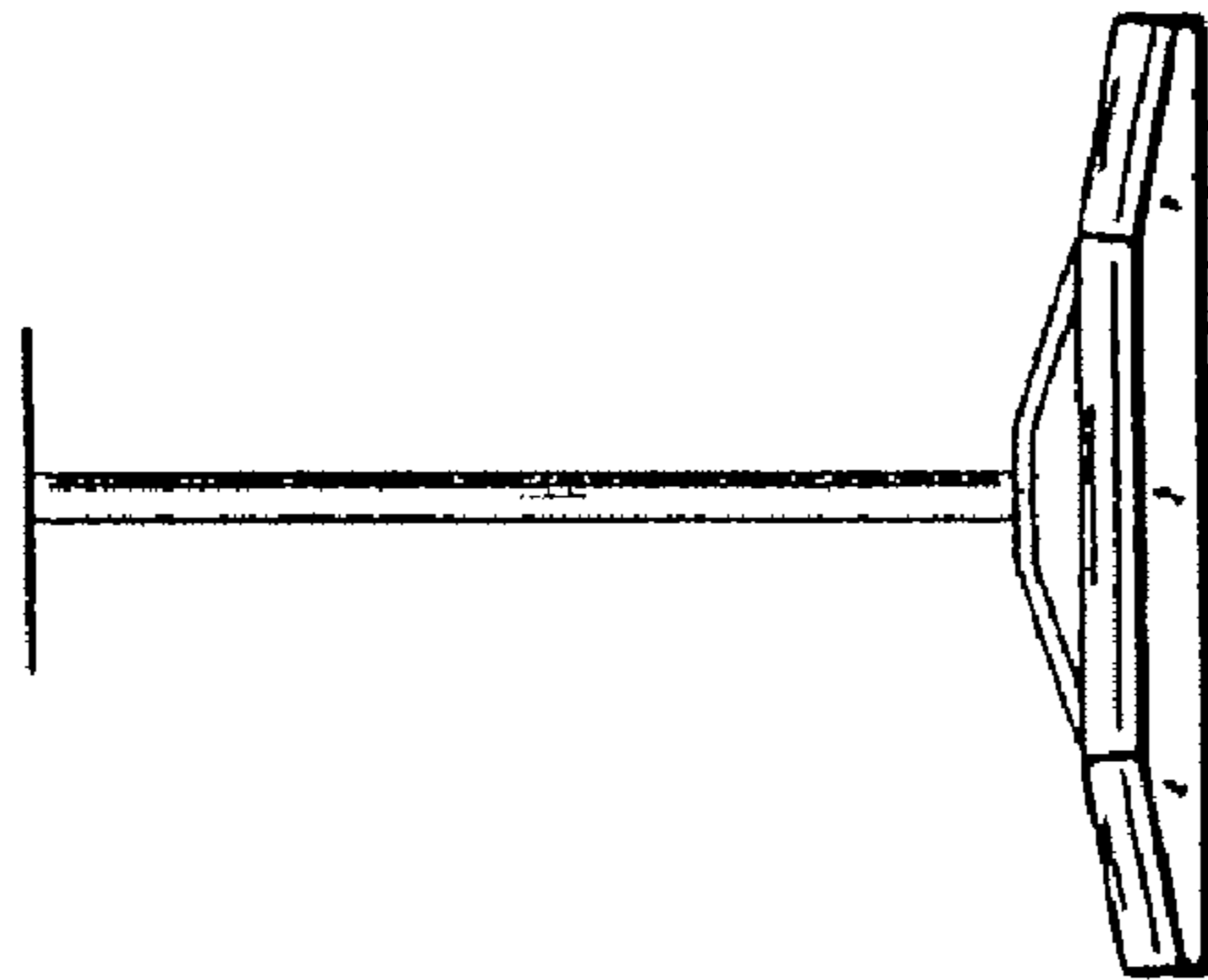


FIG. 14

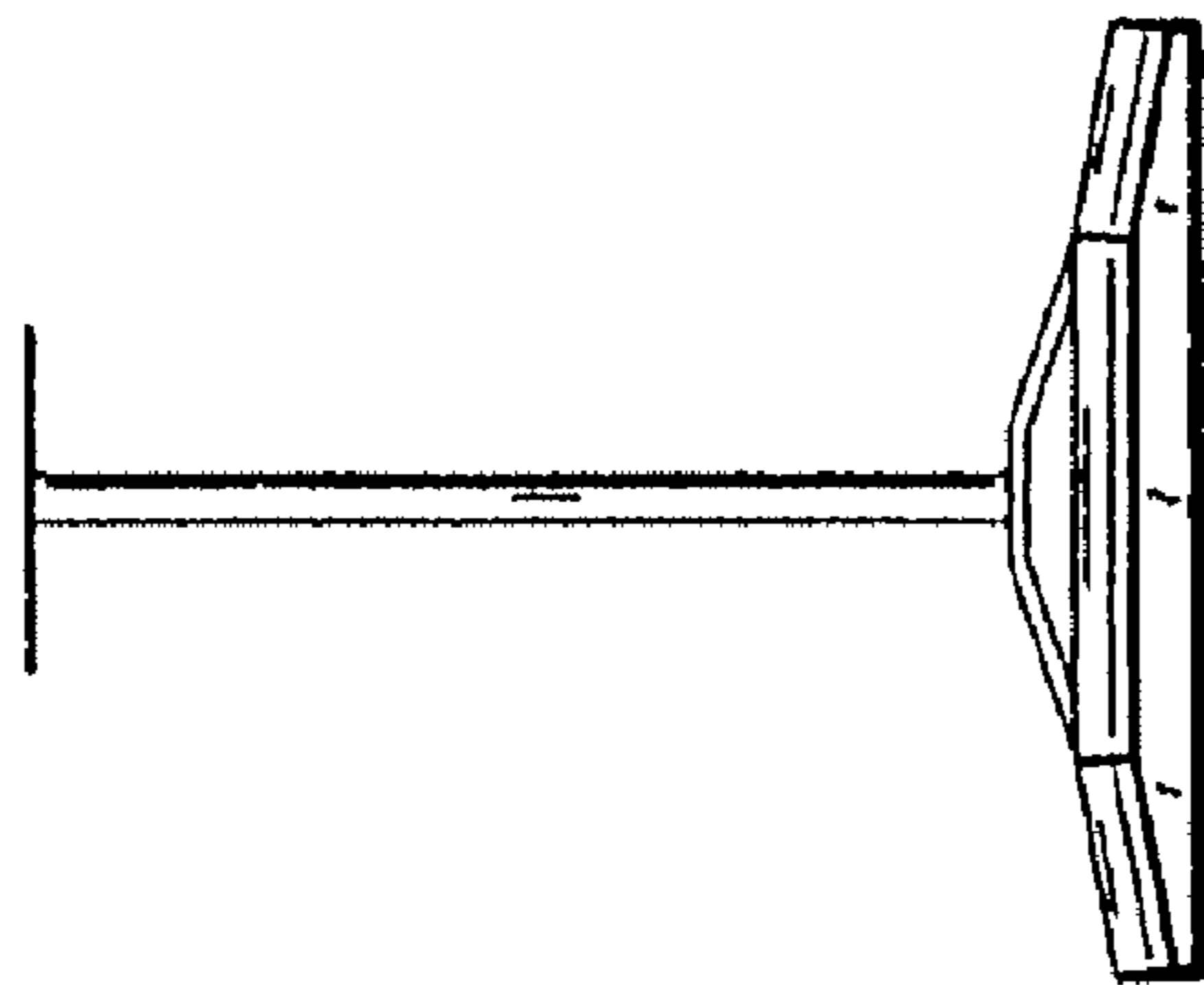


FIG. 13

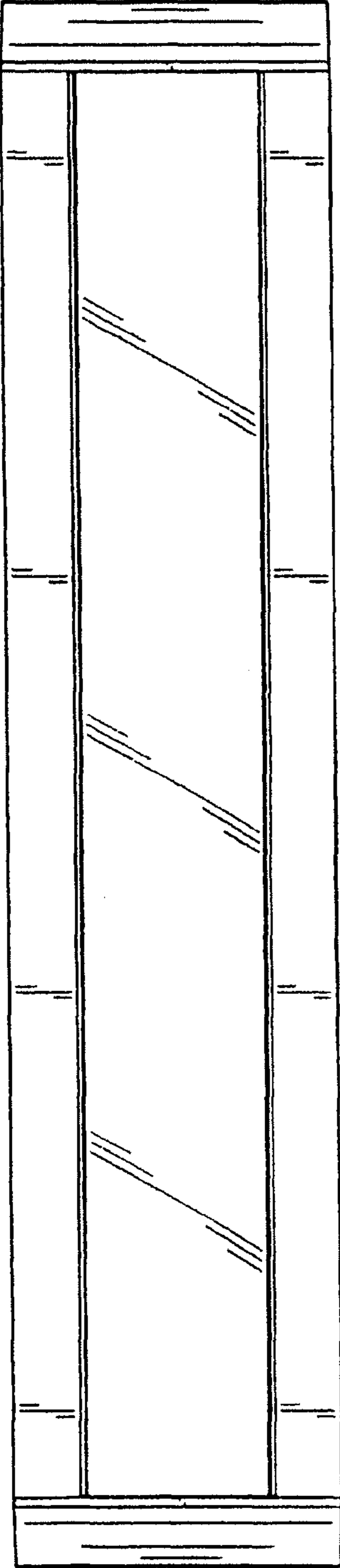


FIG. 15

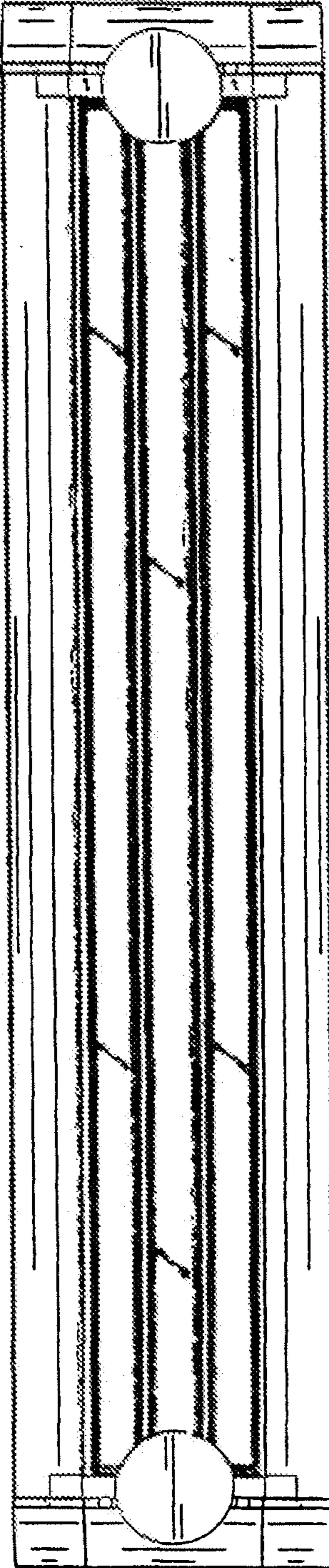


FIG. 16

UNITED STATES PATENT AND TRADEMARK OFFICE  
**CERTIFICATE OF CORRECTION**

PATENT NO. : D645,194 S  
APPLICATION NO. : 29/342765  
DATED : September 13, 2011  
INVENTOR(S) : Lothar E. S. Budike, Jr.

Page 1 of 8

It is certified that error appears in the above-identified patent and that said Letters Patent is hereby corrected as shown below:

Delete Figures 7-16 and replace with attached Figures 7-16.

Signed and Sealed this  
Sixth Day of December, 2011

A handwritten signature in black ink that reads "David J. Kappos". The signature is written in a cursive, slightly slanted style.

David J. Kappos  
*Director of the United States Patent and Trademark Office*



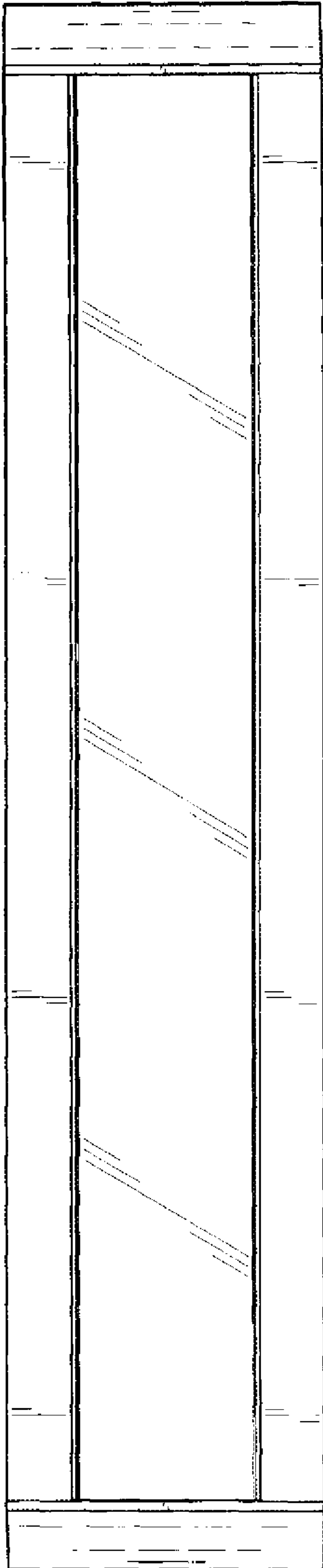


FIG. 7

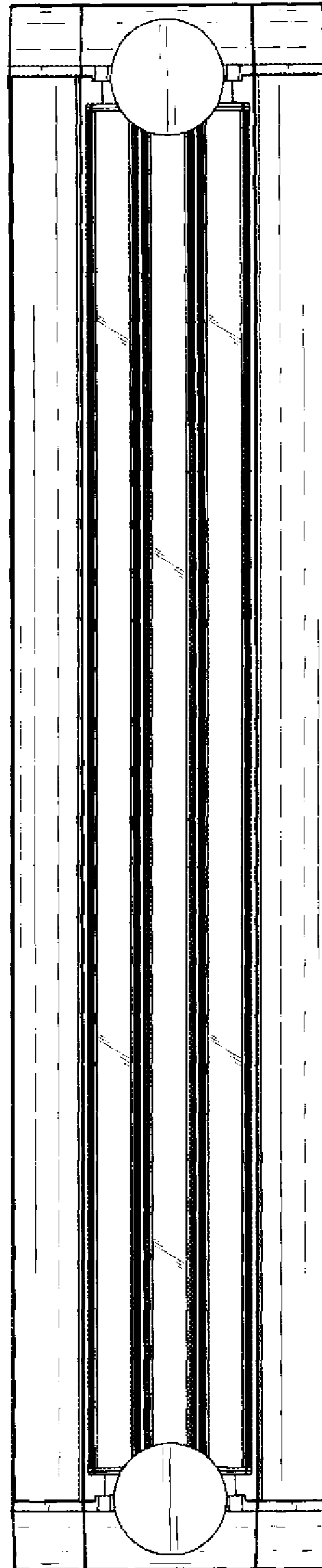


FIG. 8

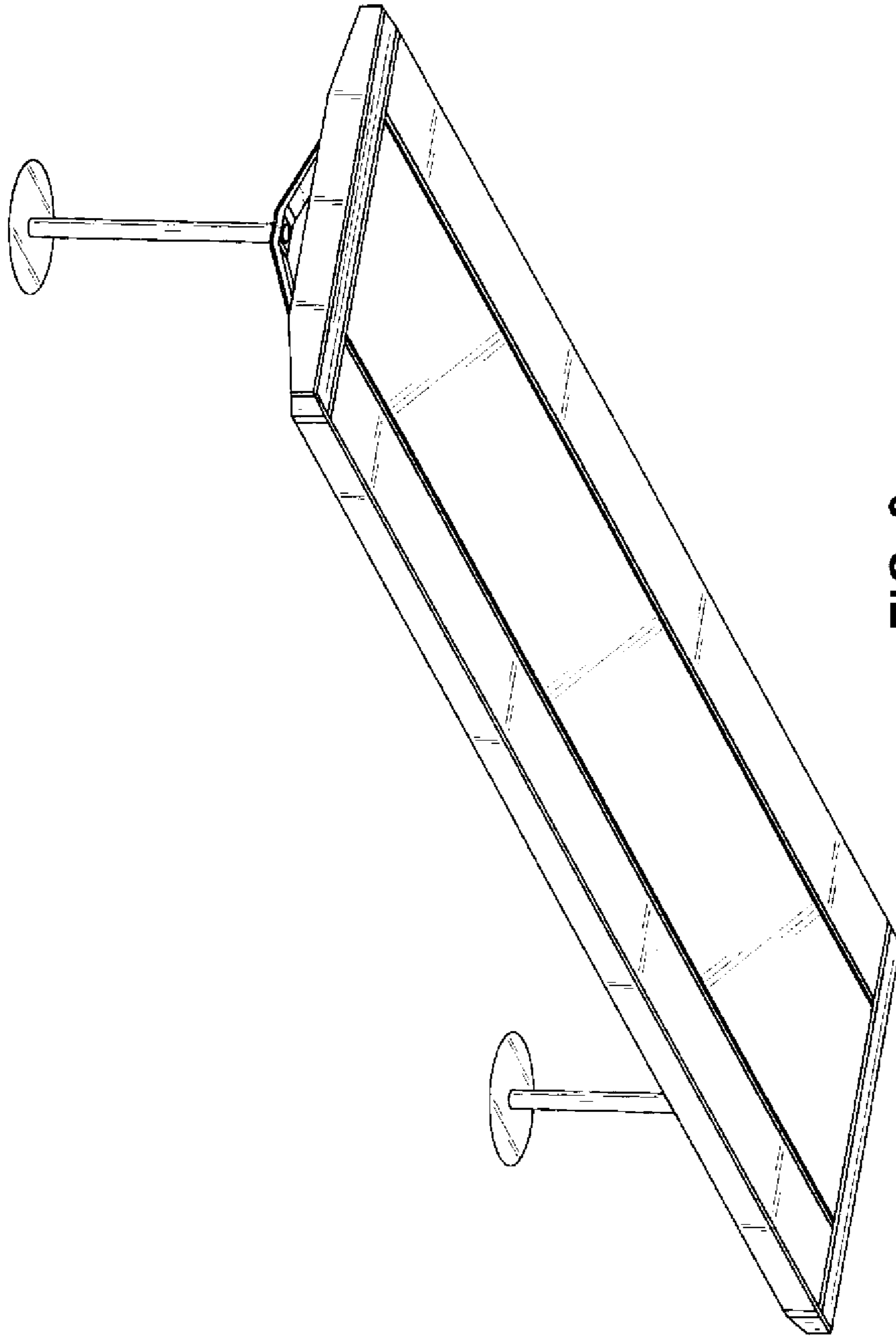


FIG. 9

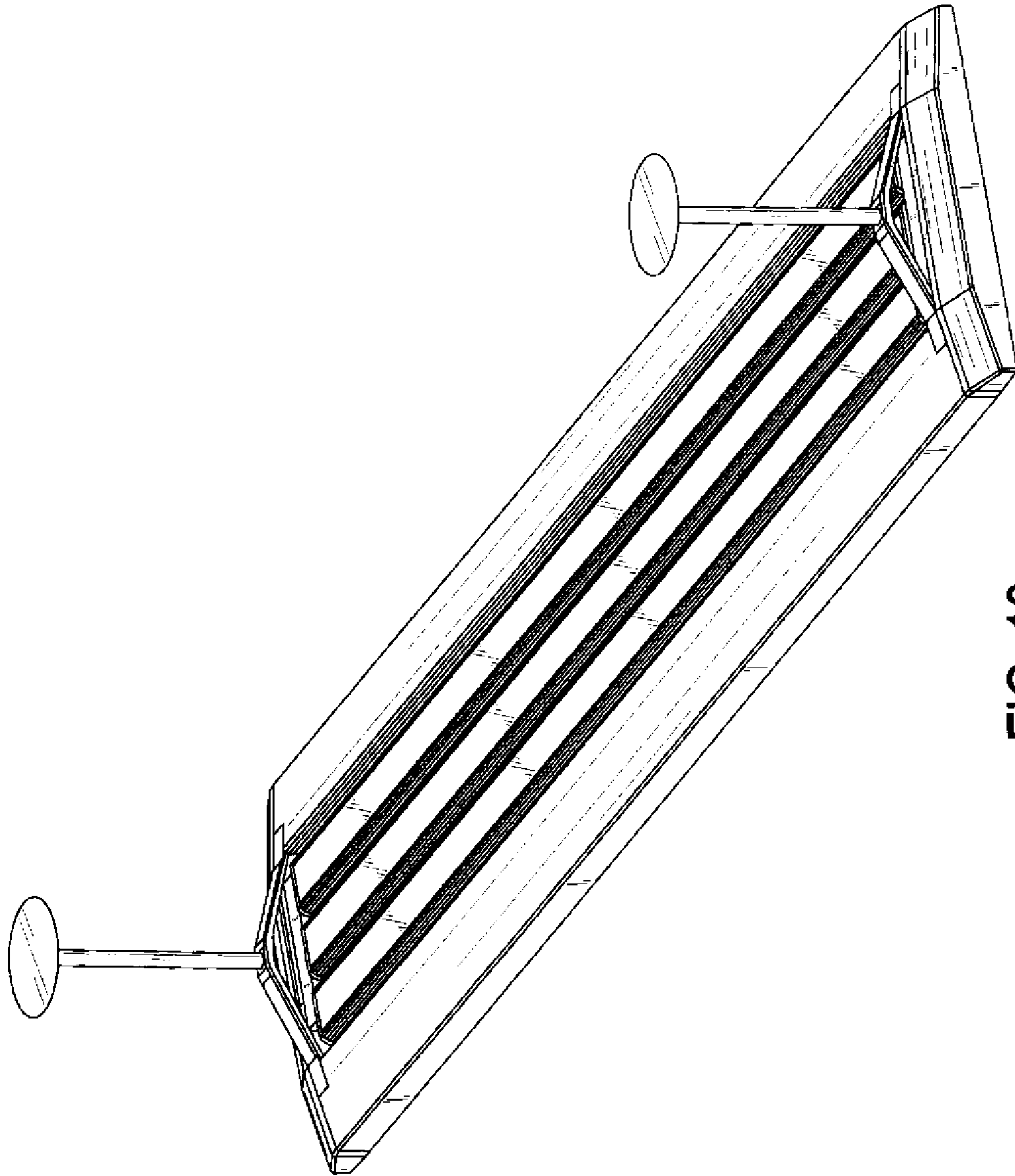


FIG. 10

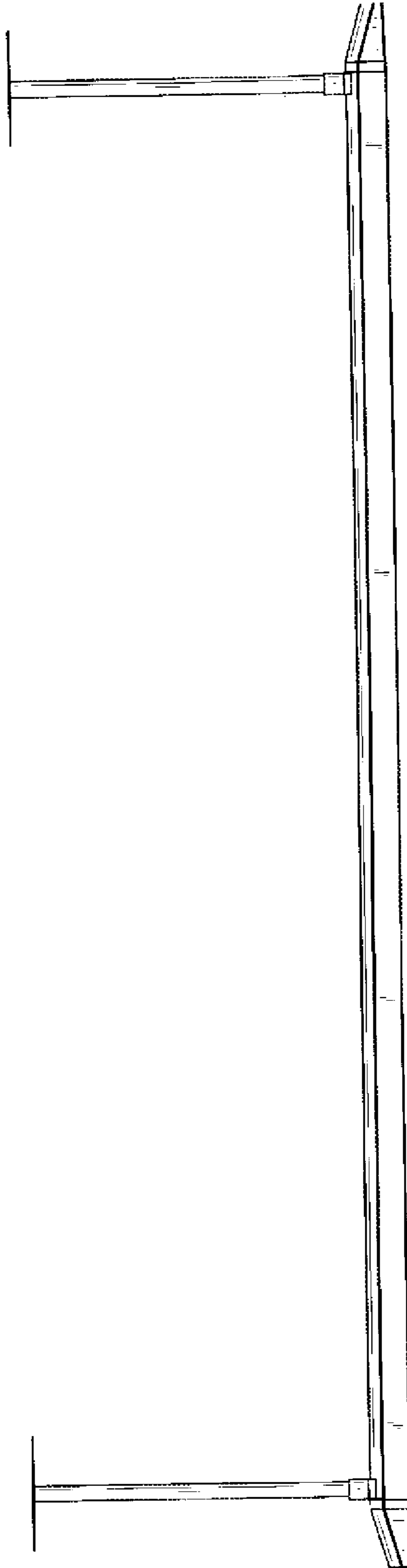


FIG. 11

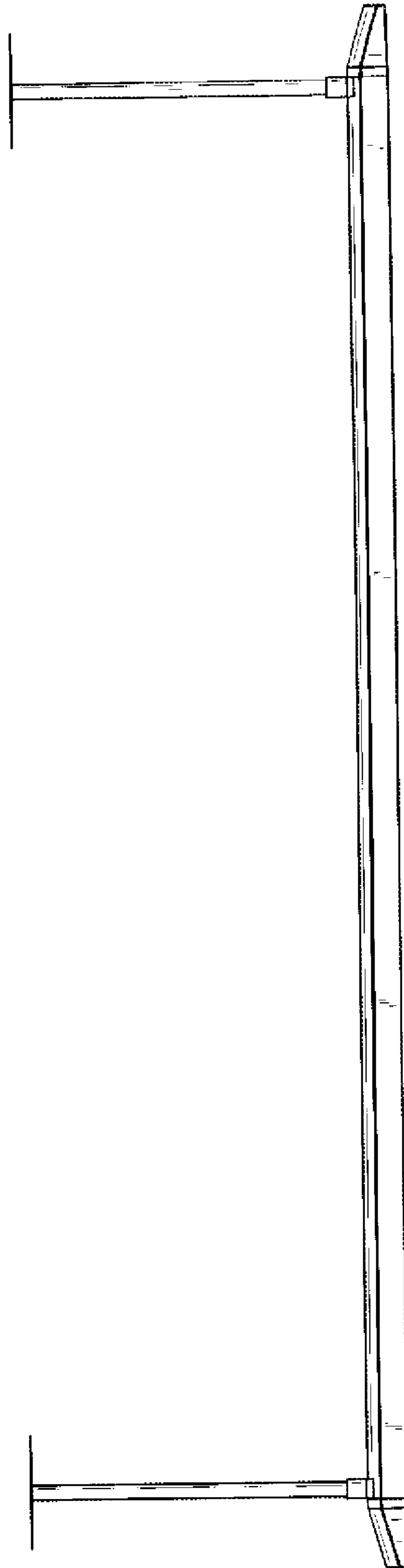


FIG. 12

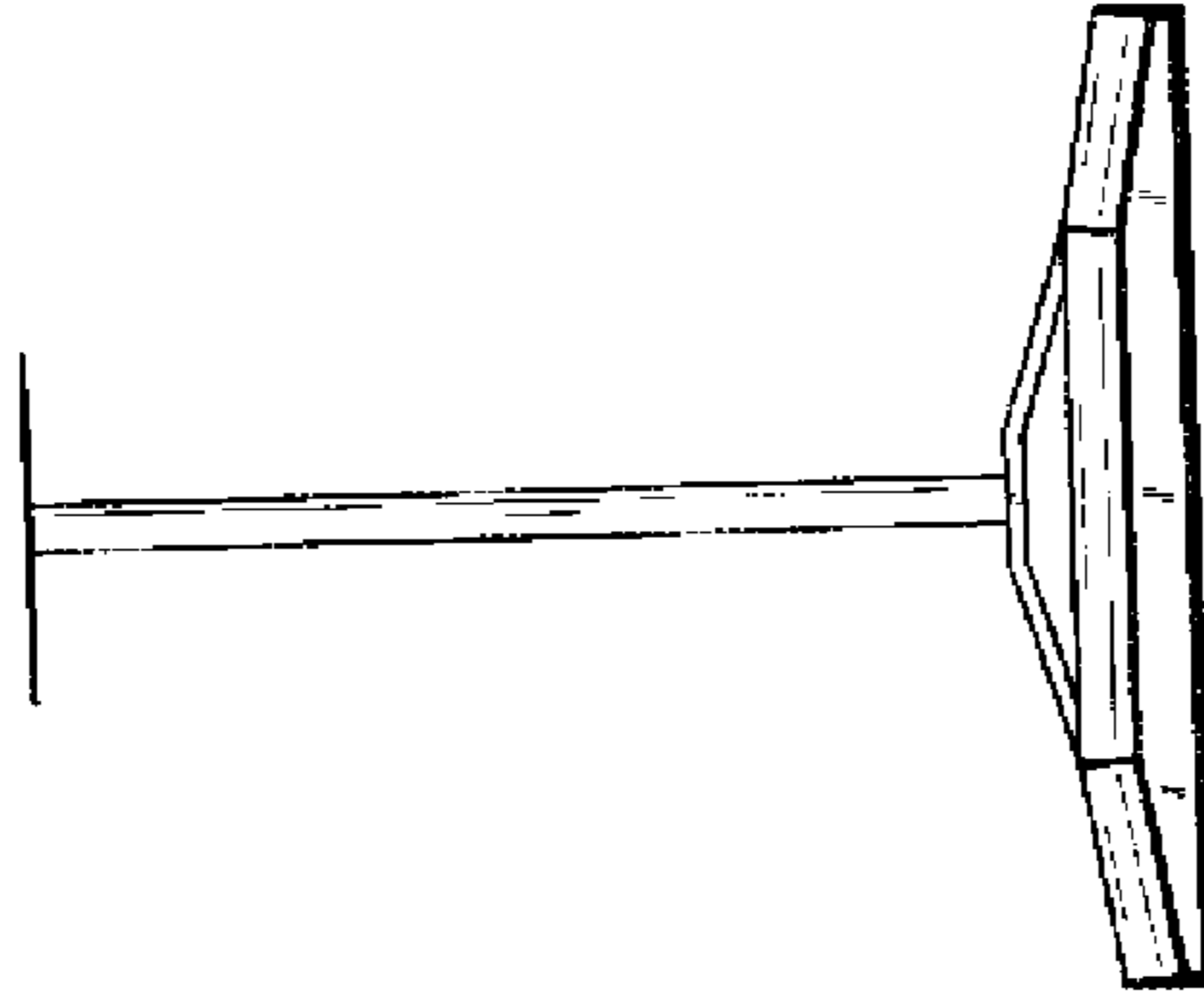


FIG. 14

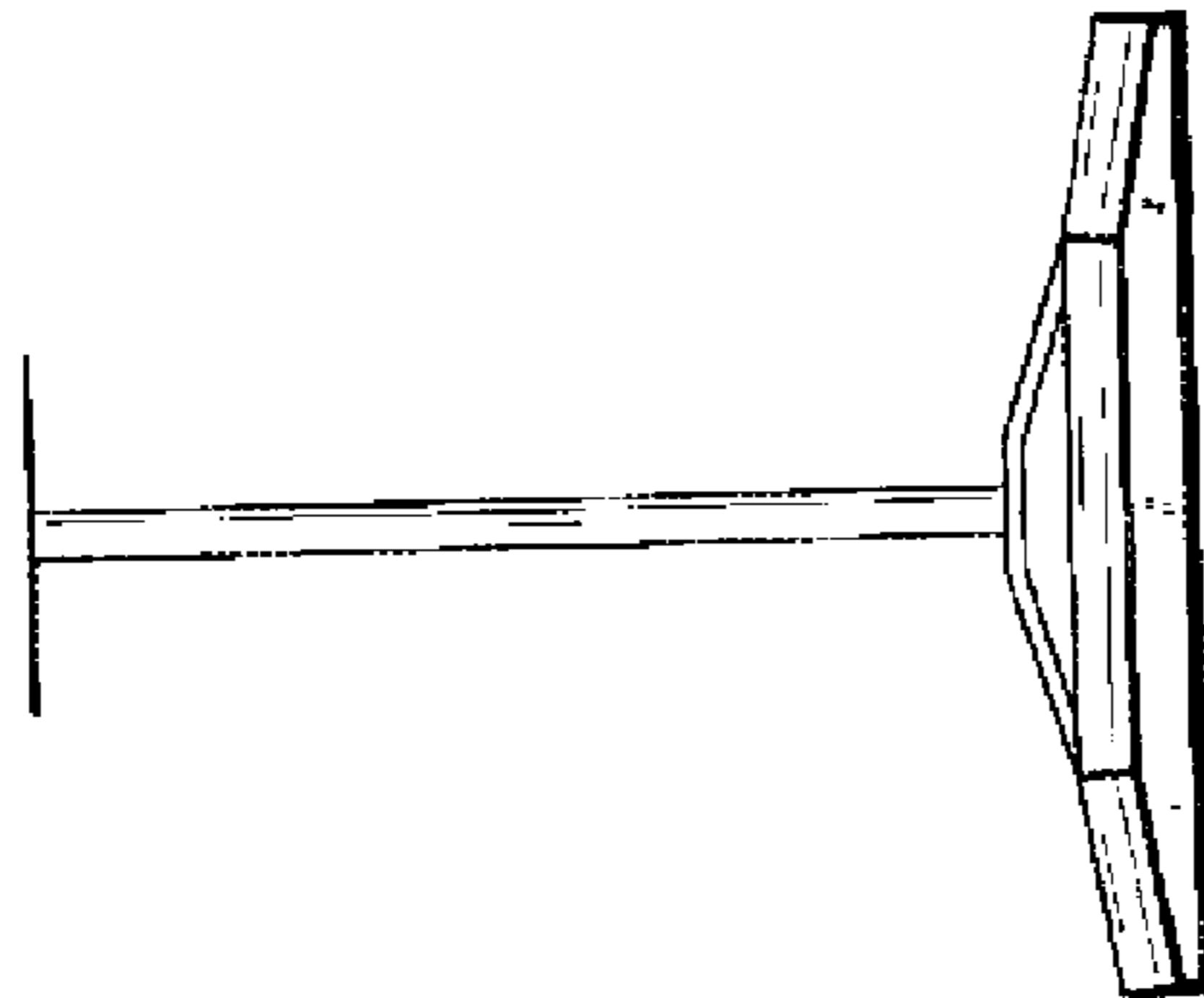


FIG. 13



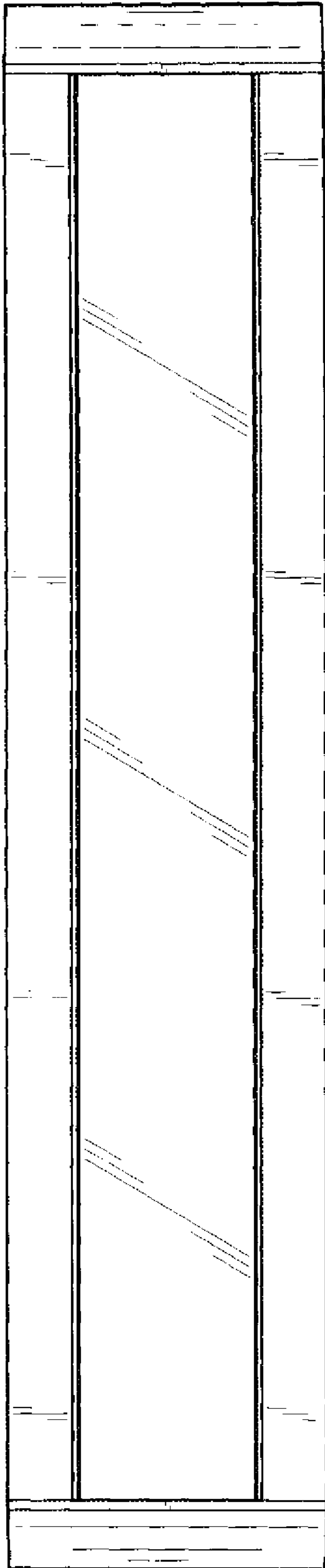


FIG. 15

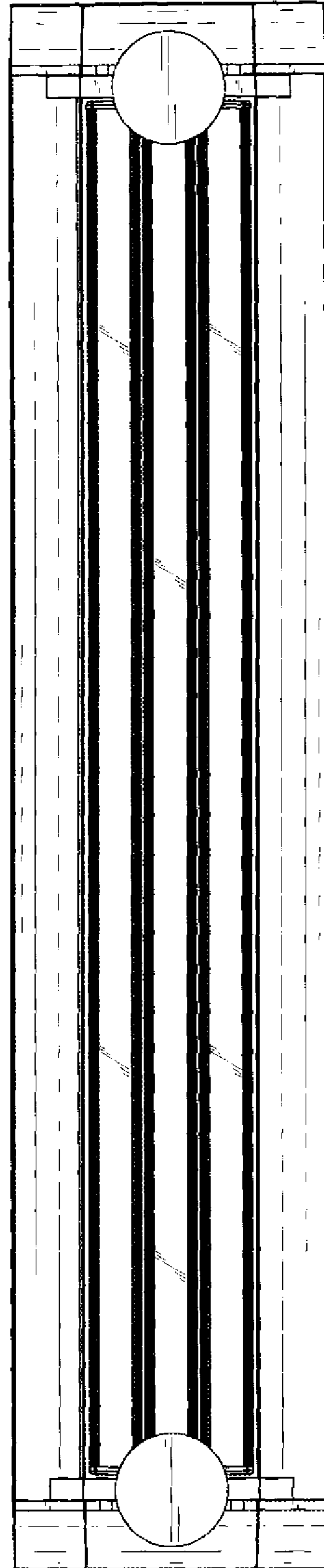


FIG. 16