



US00D645192S

(12) **United States Design Patent**  
**Chung et al.**

(10) **Patent No.:** **US D645,192 S**

(45) **Date of Patent:** **\*\* Sep. 13, 2011**

(54) **LIGHTING FIXTURE**

(75) Inventors: **Casey Chung**, Bloomington, IL (US);  
**Michael T. Thornton**, Burr Ridge, IL  
(US); **Stephan Apetauer**, Munich (DE);  
**Thomas Moeker**, Munich (DE);  
**Burkhard Schlee**, Munich (DE)

(73) Assignee: **Focal Point, L.L.C.**, Chicago, IL (US)

(\*\*) Term: **14 Years**

(21) Appl. No.: **29/360,805**

(22) Filed: **Apr. 30, 2010**

(51) **LOC (9) Cl.** ..... **26-03**

(52) **U.S. Cl.** ..... **D26/75**

(58) **Field of Classification Search** ..... D26/75-85,  
D26/88, 89, 72, 25, 3, 113, 118, 128, 141,  
D26/142; 362/555, 14, 148, 150, 217.01,  
362/217.05, 217.06, 217.07, 217.08, 217.09,  
362/217.1, 217.12, 217.13, 260, 296.01,  
362/404

See application file for complete search history.

(56) **References Cited**

**U.S. PATENT DOCUMENTS**

|                   |         |                 |       |         |
|-------------------|---------|-----------------|-------|---------|
| D481,483 S *      | 10/2003 | Waugh et al.    | ..... | D26/76  |
| D496,121 S *      | 9/2004  | Santoro         | ..... | D26/74  |
| D545,481 S *      | 6/2007  | Mayfield et al. | ..... | D26/118 |
| D545,482 S *      | 6/2007  | Mayfield et al. | ..... | D26/118 |
| D545,483 S *      | 6/2007  | Mayfield et al. | ..... | D26/118 |
| 7,229,192 B2 *    | 6/2007  | Mayfield et al. | ..... | 362/223 |
| D545,992 S *      | 7/2007  | Mayfield et al. | ..... | D26/118 |
| D561,930 S *      | 2/2008  | Hukle et al.    | ..... | D26/120 |
| D580,583 S *      | 11/2008 | Pfund           | ..... | D26/76  |
| D602,626 S *      | 10/2009 | Santoro et al.  | ..... | D26/76  |
| D608,929 S *      | 1/2010  | Castelli        | ..... | D26/76  |
| D610,294 S *      | 2/2010  | Theusch         | ..... | D26/76  |
| 2007/0211457 A1 * | 9/2007  | Mayfield et al. | ..... | 362/223 |

**OTHER PUBLICATIONS**

Énergie, BLUemotion Catalog.  
Axis Lighting, DIA with VL Optic Catalog, 2009.  
Pure FX recessed light, Ledalite, <http://ledalite.com/products/pure-fx/recessed>, retrieved from the internet Jul. 29, 2010.  
Nol Round light, Mark Architectural Lighting, <http://www.marklighting.com/product/detail/Nol/Nol%20Square.aspx>, retrieved from the internet Jul. 29, 2010.  
Zumtobel Lighting Ltd., Claris II Catalog, Jun. 2007.

\* cited by examiner

*Primary Examiner* — Angela J Lee

(74) *Attorney, Agent, or Firm* — Banner & Witcoff, Ltd.

(57) **CLAIM**

The ornamental design for a lighting fixture, as shown and described.

**DESCRIPTION**

FIG. 1 is a bottom, front, right perspective view of a lighting fixture showing our new design;  
FIG. 2 is a top view thereof;  
FIG. 3 is a bottom view thereof;  
FIG. 4 is a right view thereof;  
FIG. 5 is a left view thereof;  
FIG. 6 is a front view thereof;  
FIG. 7 is a rear view thereof; and,  
FIG. 8 is a top, front, right perspective view thereof.

The uneven-length broken lines represent unclaimed boundaries of the claimed design. The unshaded surface designated by the arrow and letter "A" in FIG. 3 forms no part of the claimed design except that the edges of the surface represent claimed boundaries of the design. The even-length broken lines showing the remainder of the lighting fixture are for illustrative purposes only and form no part of the claimed design. The arrow and letter "A" in FIG. 3 forms no part of the claimed design.

**1 Claim, 5 Drawing Sheets**

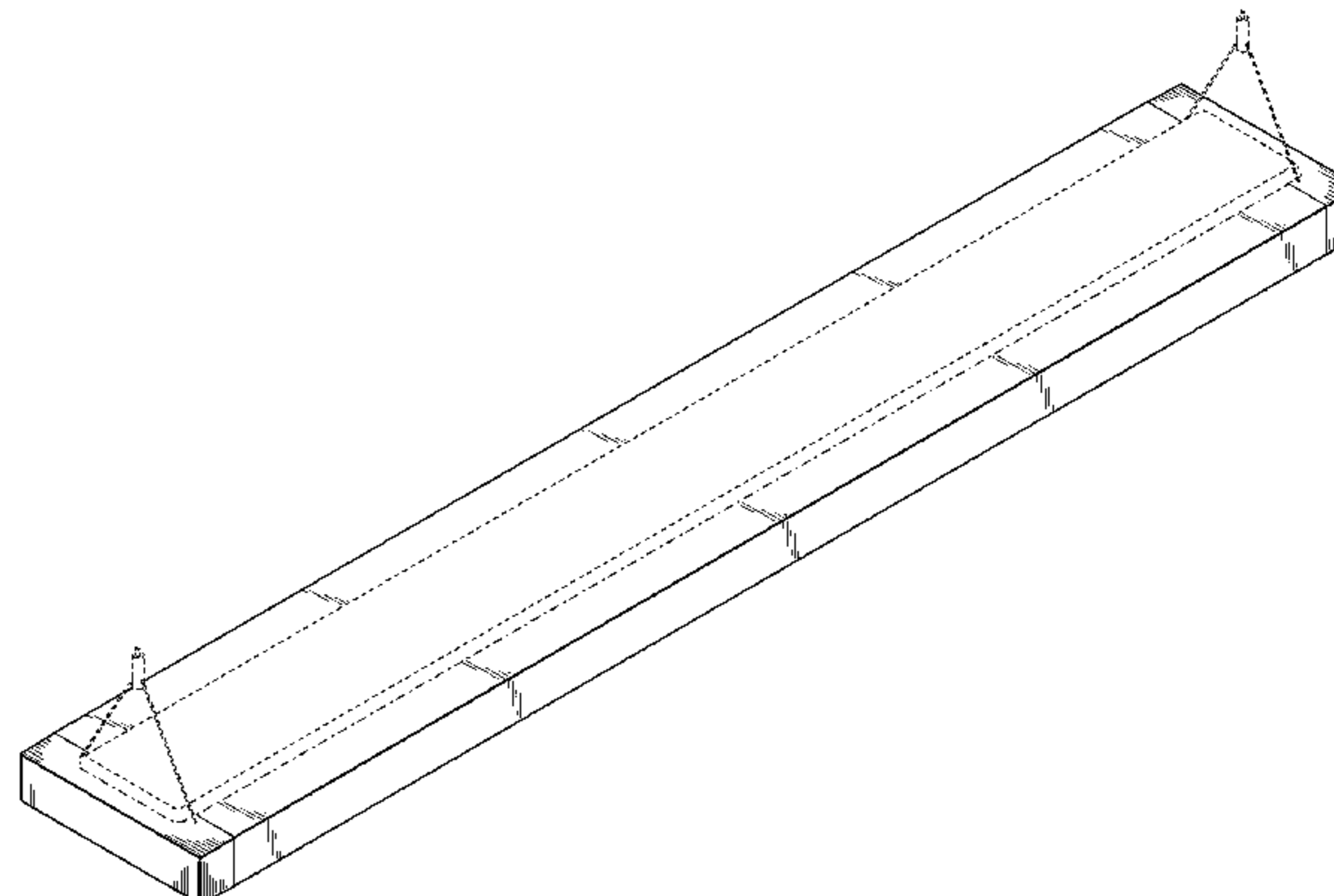
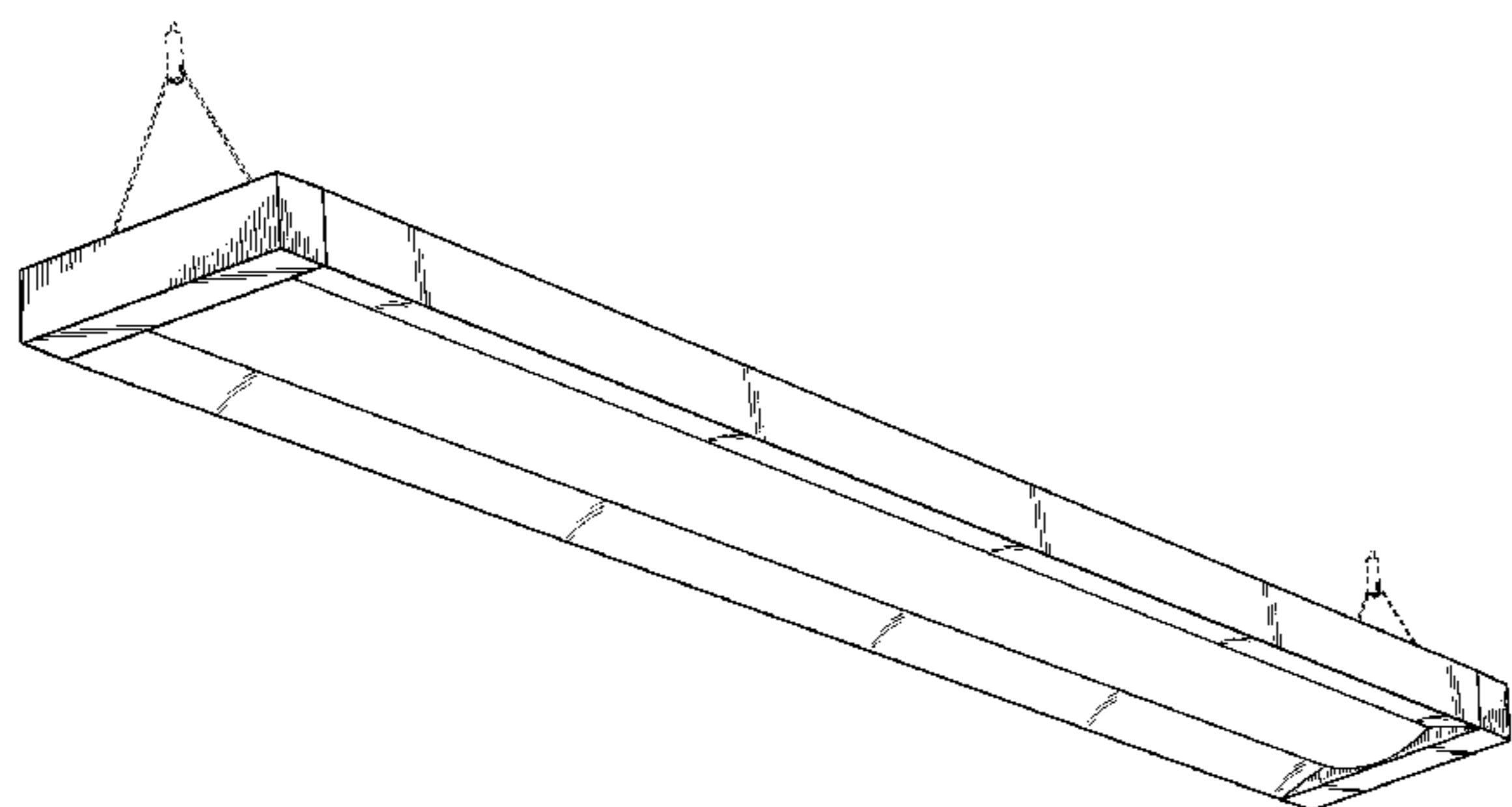


Fig. 1

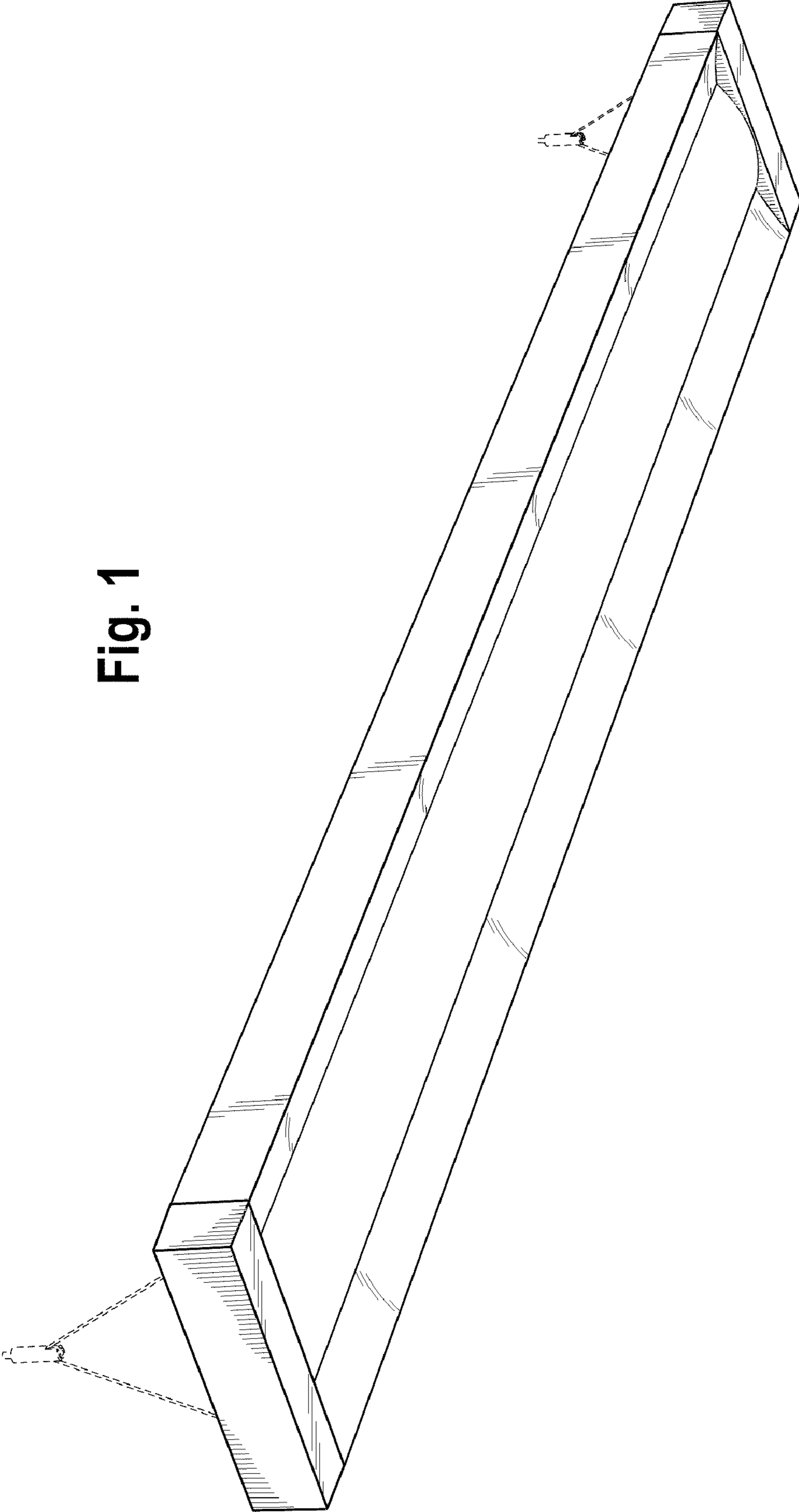


Fig. 2

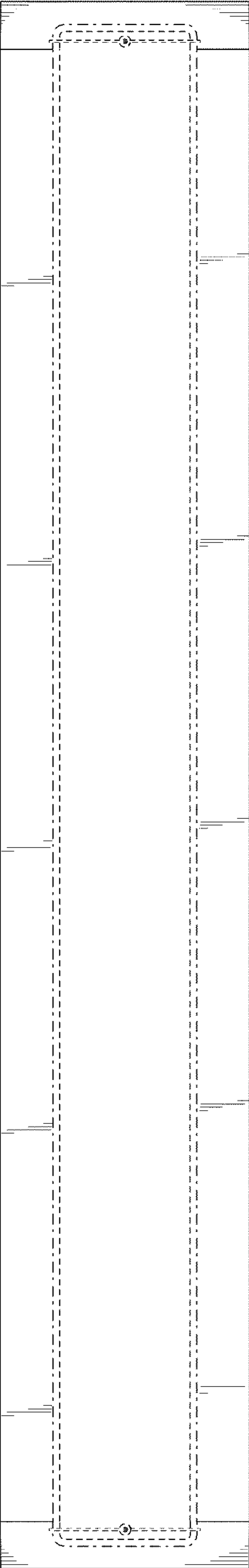
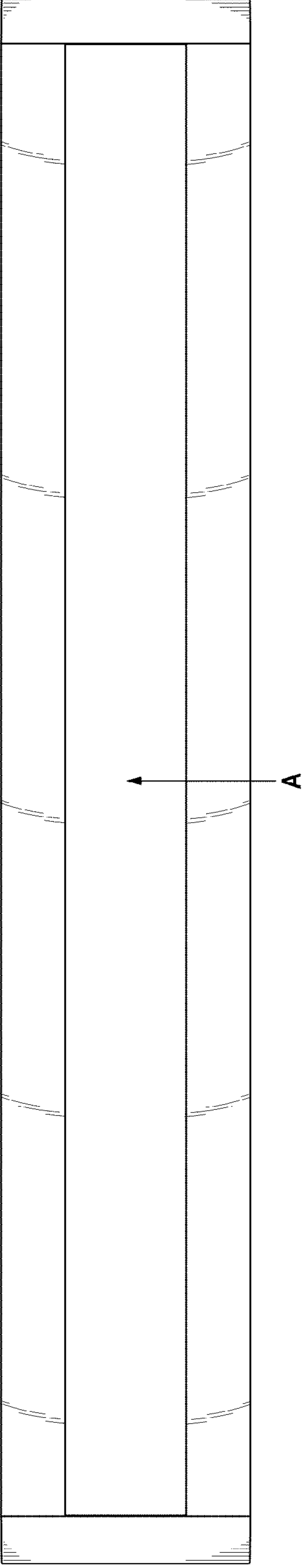


Fig. 3



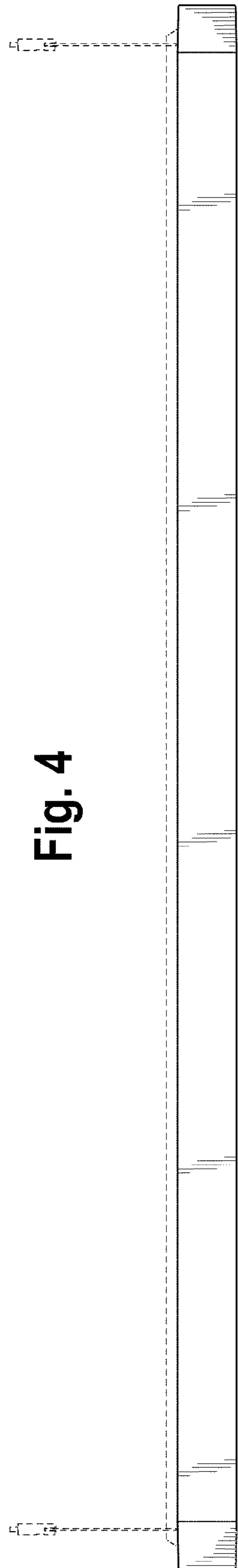


Fig. 4

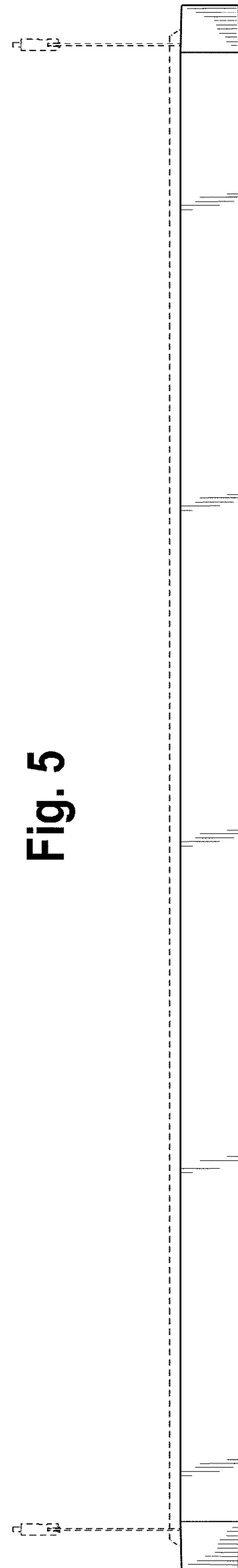
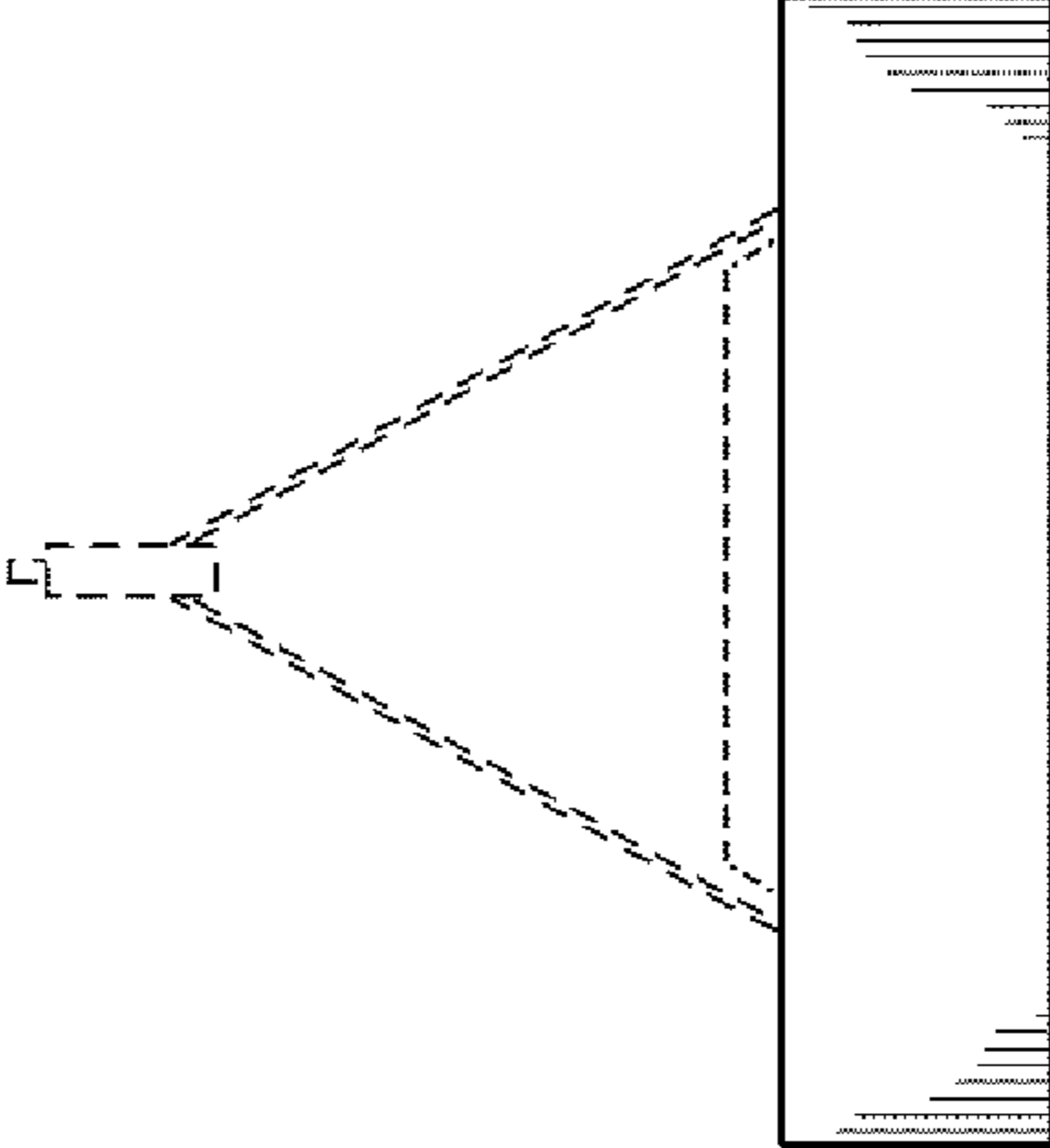
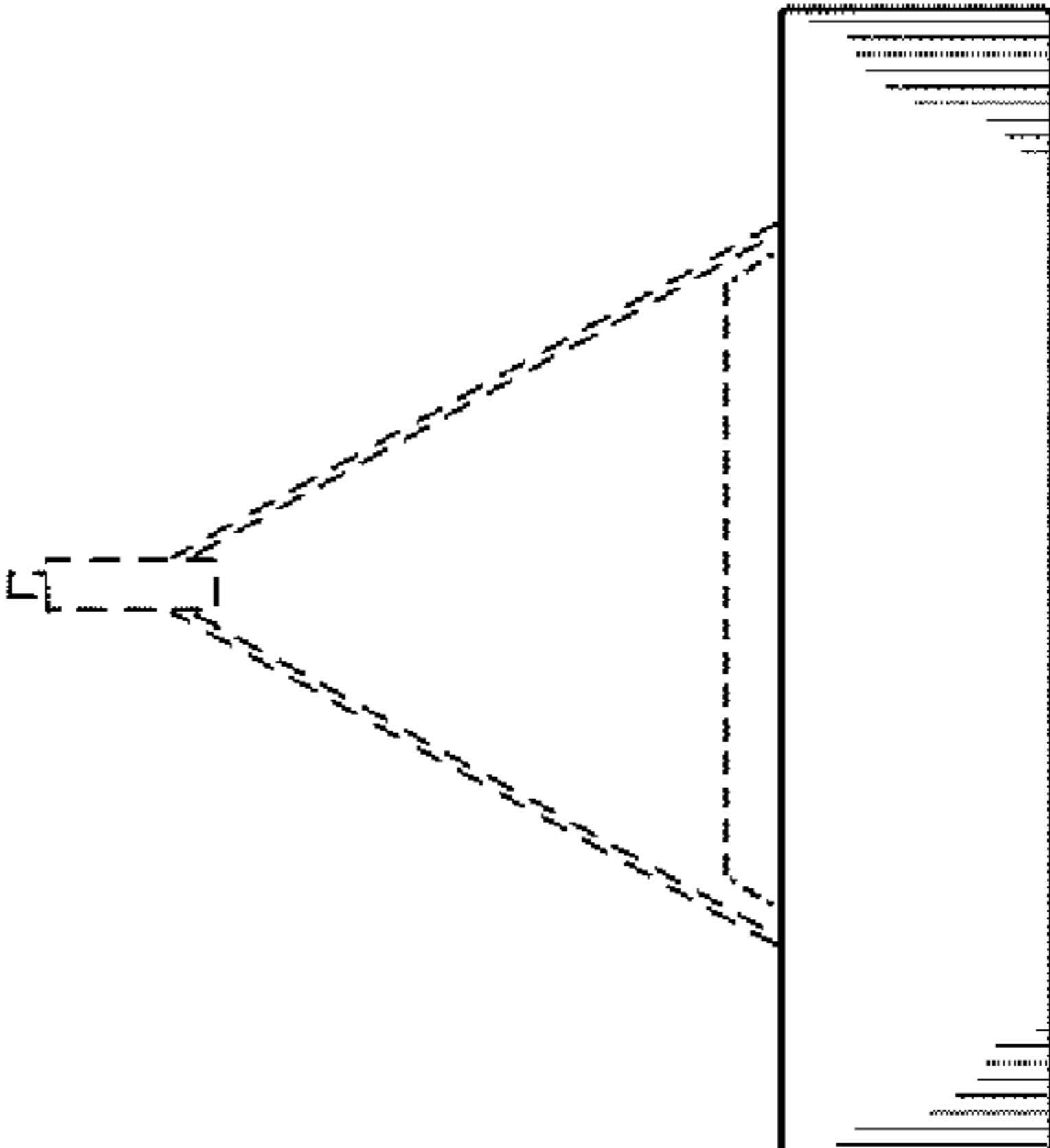


Fig. 5

**Fig. 7**



**Fig. 6**



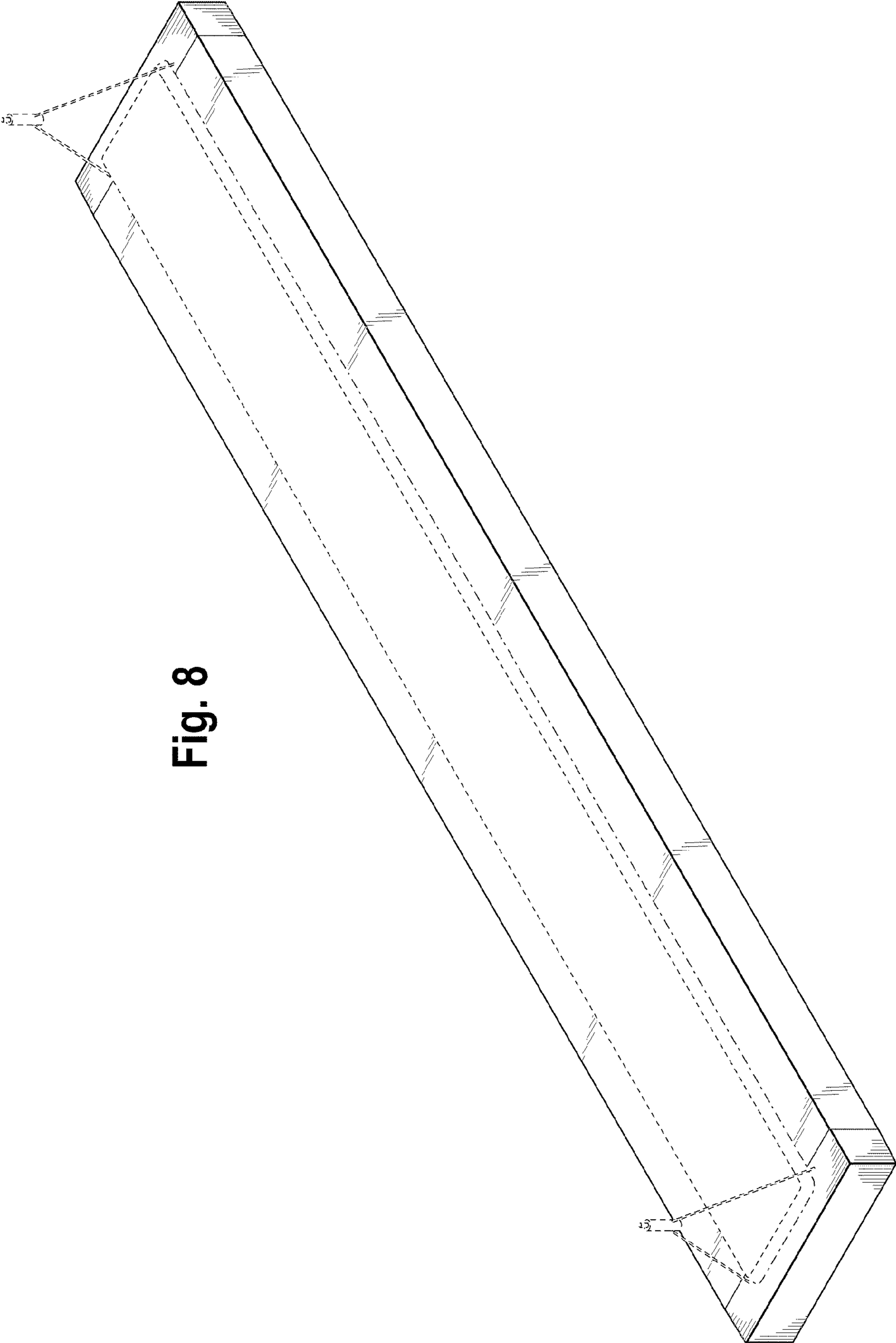


Fig. 8