



US00D645191S

(12) **United States Design Patent**
Krause

(10) **Patent No.:** **US D645,191 S**

(45) **Date of Patent:** **** Sep. 13, 2011**

(54) **NIGHT LIGHT**

(76) Inventor: **Damian Krause**, New York, NY (US)

(**) Term: **14 Years**

(21) Appl. No.: **29/379,613**

(22) Filed: **Nov. 22, 2010**

(51) **LOC (9) Cl.** **26-03**

(52) **U.S. Cl.** **D26/72; D26/37**

(58) **Field of Classification Search** D26/37,
D26/72, 75, 76, 80, 83, 85, 89; 362/147,
362/133, 294.02, 373, 404-408, 432, 490,
362/453, 454

See application file for complete search history.

(56) **References Cited**

U.S. PATENT DOCUMENTS

3,225,185	A *	12/1965	Bertolini et al.	362/647
D204,794	S *	5/1966	James et al.	D26/60
D222,500	S *	10/1971	Gugalot et al.	D26/37
D228,795	S *	10/1973	Peasley	D26/85
D443,377	S *	6/2001	Handsaker	D26/72
D482,486	S *	11/2003	Demers	D26/85
6,945,683	B2 *	9/2005	Gross et al.	362/544
D535,416	S *	1/2007	O'Dell	D26/37
7,192,167	B1 *	3/2007	Kuo	362/362
D561,372	S *	2/2008	Yan	D26/72

D588,291	S *	3/2009	VanderWoude	D26/37
D607,595	S *	1/2010	Copeland	D26/80
D617,925	S *	6/2010	Coushaine et al.	D26/37

* cited by examiner

Primary Examiner — Clare E Heflin

(74) *Attorney, Agent, or Firm* — Marguerite Del Valle

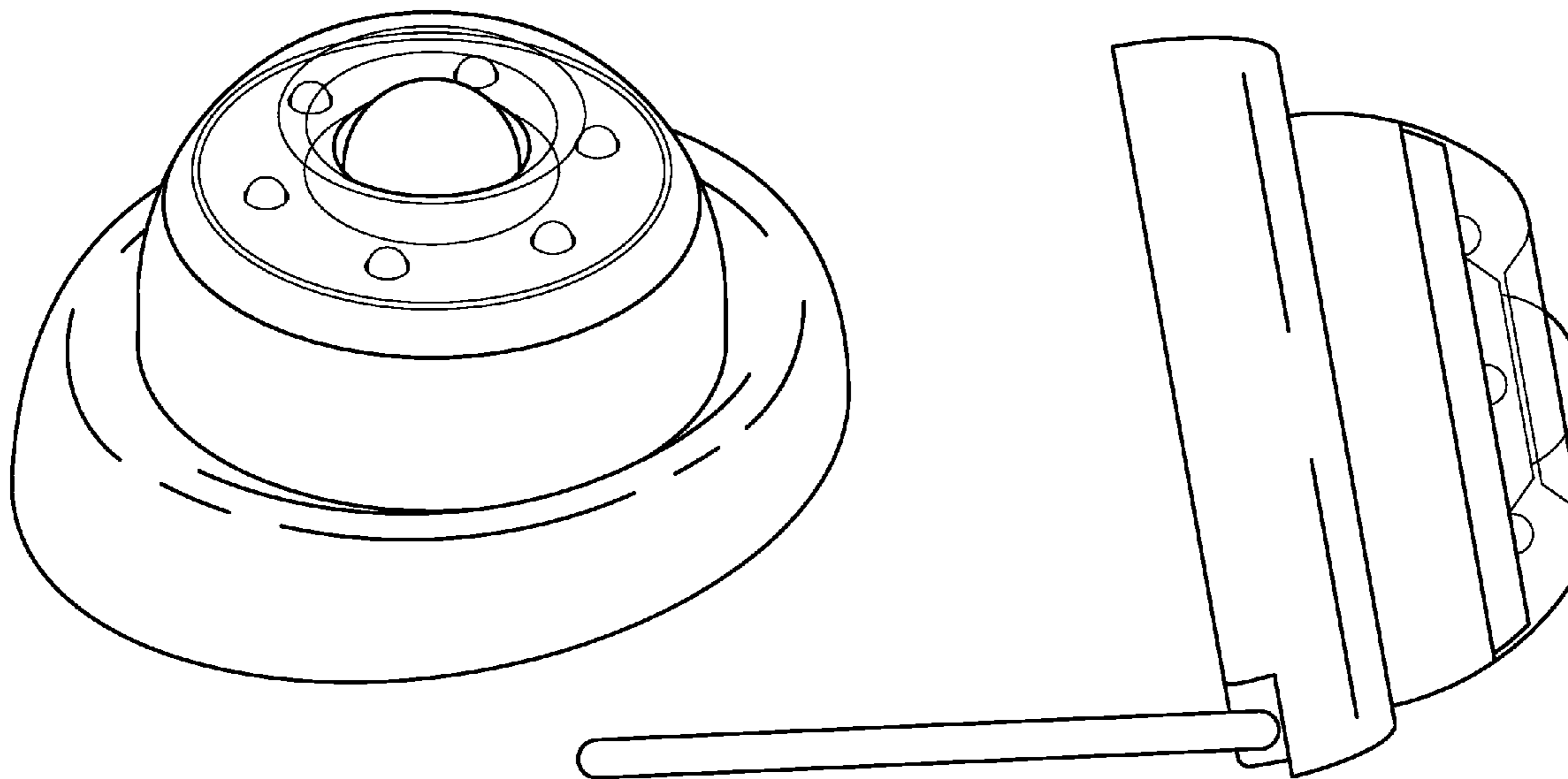
(57) **CLAIM**

I claim the ornamental design for a night light, as shown and described.

DESCRIPTION

FIG. 1 is a top front perspective view of the new ornamental night light of the present invention;
 FIG. 2 is a bottom front perspective view thereof;
 FIG. 3 is a top plan view thereof;
 FIG. 4 is a bottom plan view thereof;
 FIG. 5 is a rear elevation view thereof;
 FIG. 6 is a front elevation view thereof;
 FIG. 7 is a left side elevation view thereof;
 FIG. 8 is a right side elevation view thereof;
 FIG. 9 is a left side view thereof showing the loop partially extended; and,
 FIG. 10 is a rear top perspective view showing the loop fully extended.

1 Claim, 6 Drawing Sheets



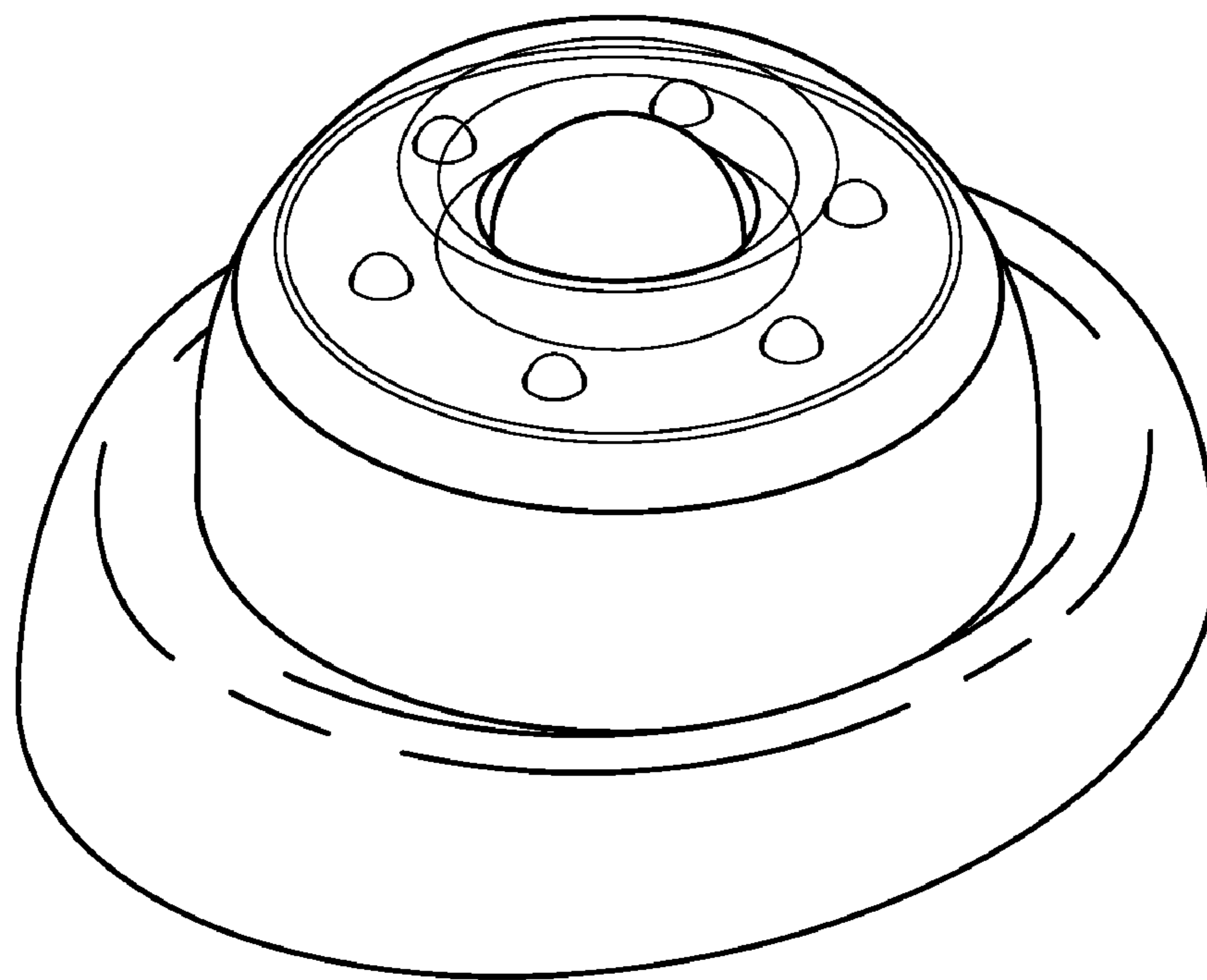


FIG. 1

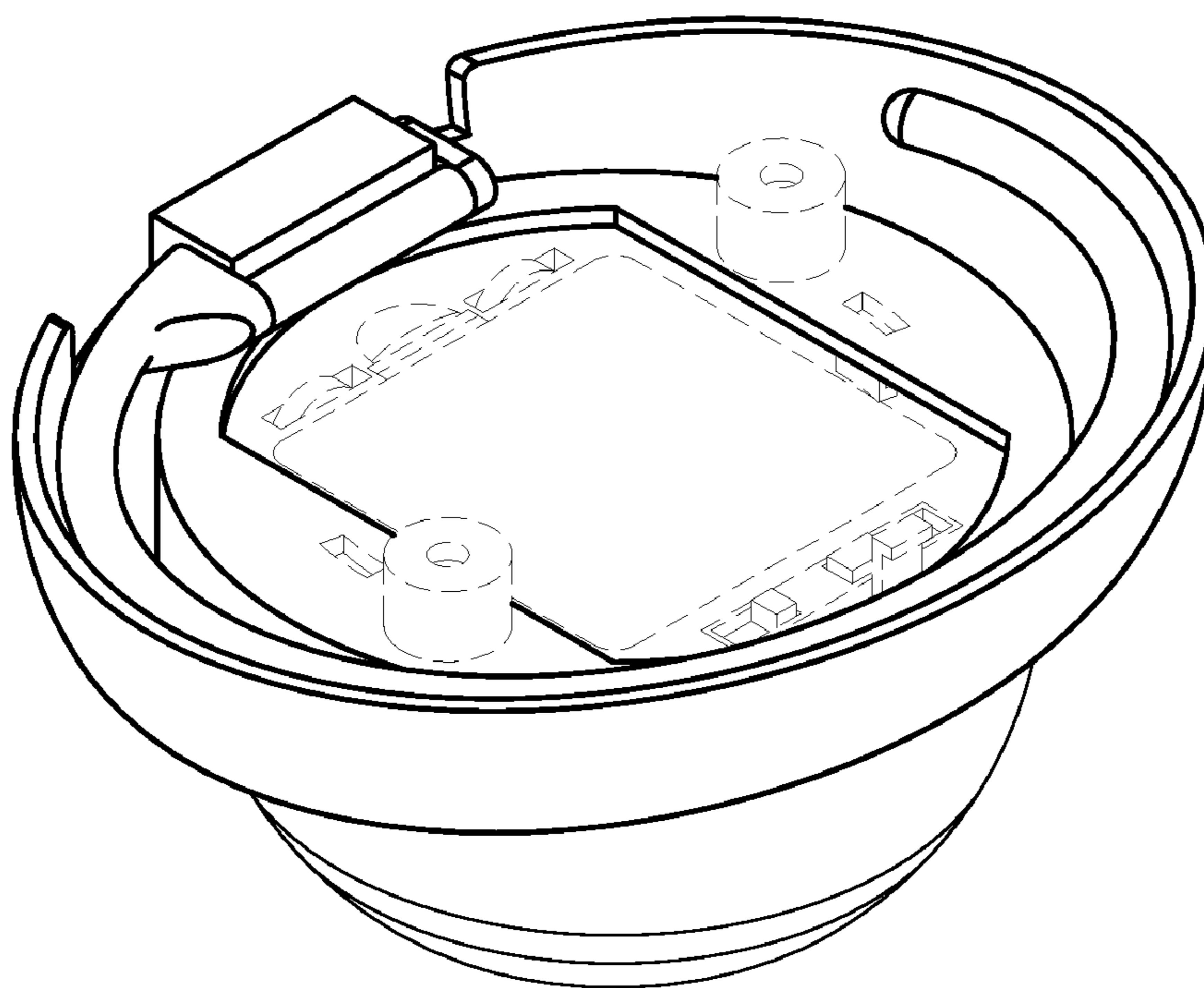


FIG. 2

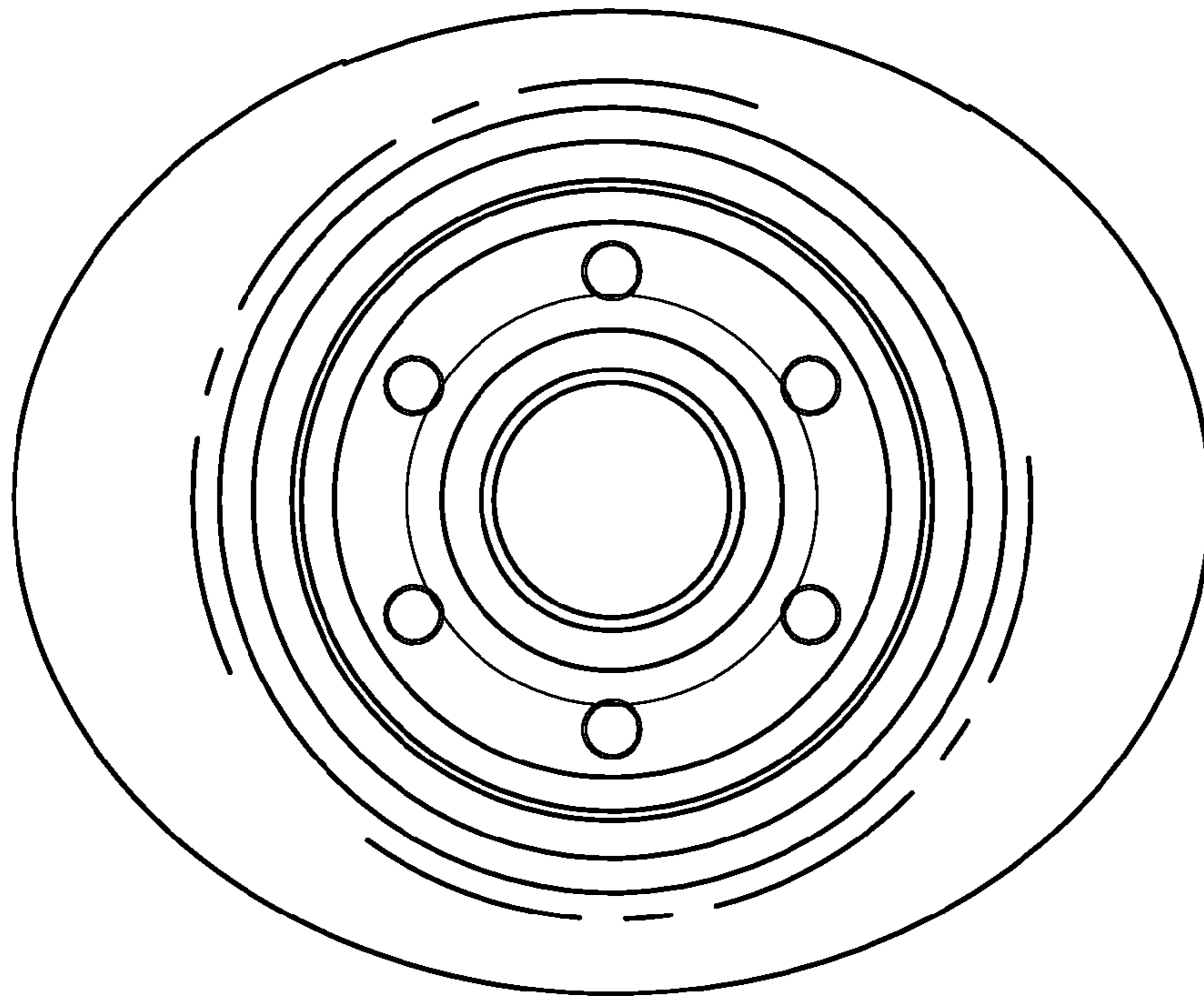


FIG. 3

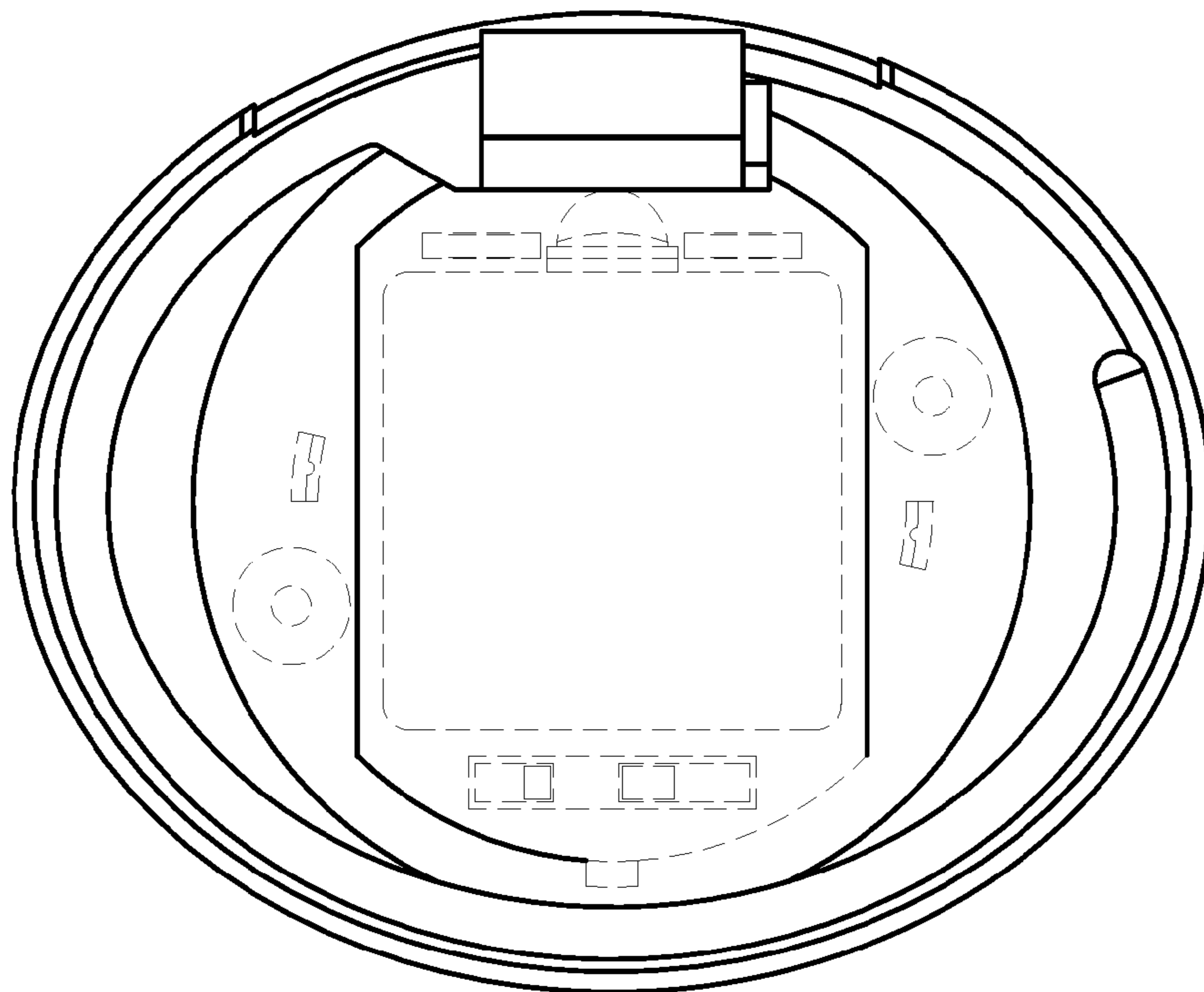


FIG. 4

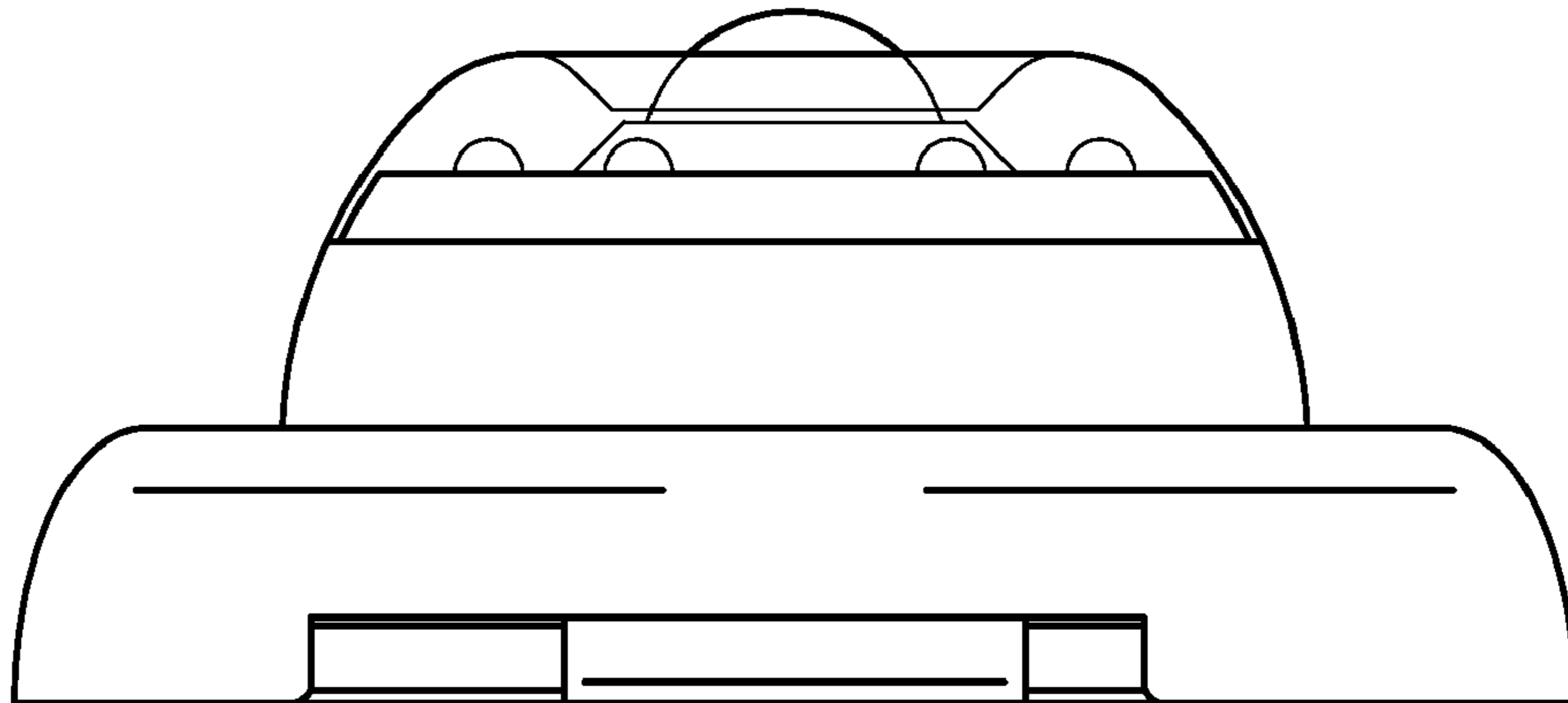


FIG. 5

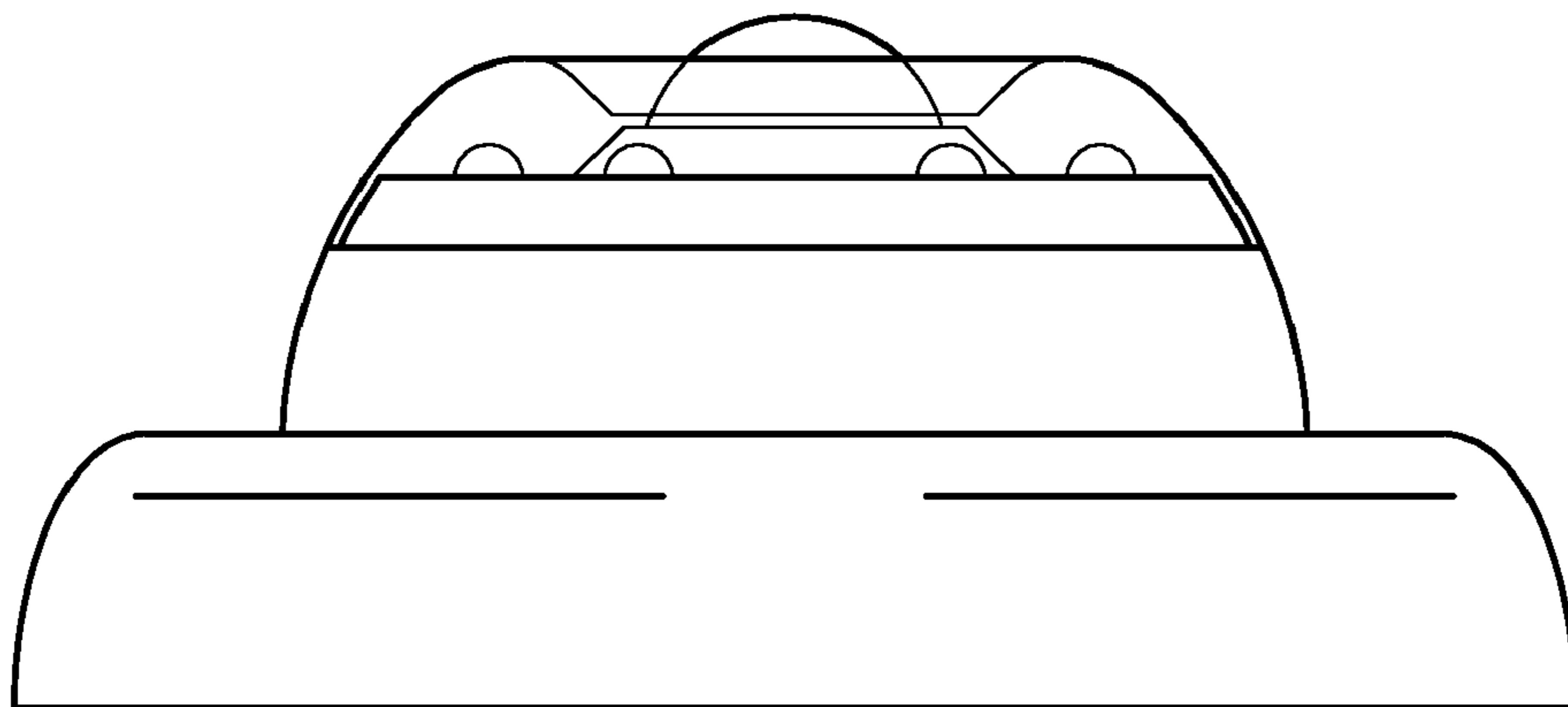


FIG. 6

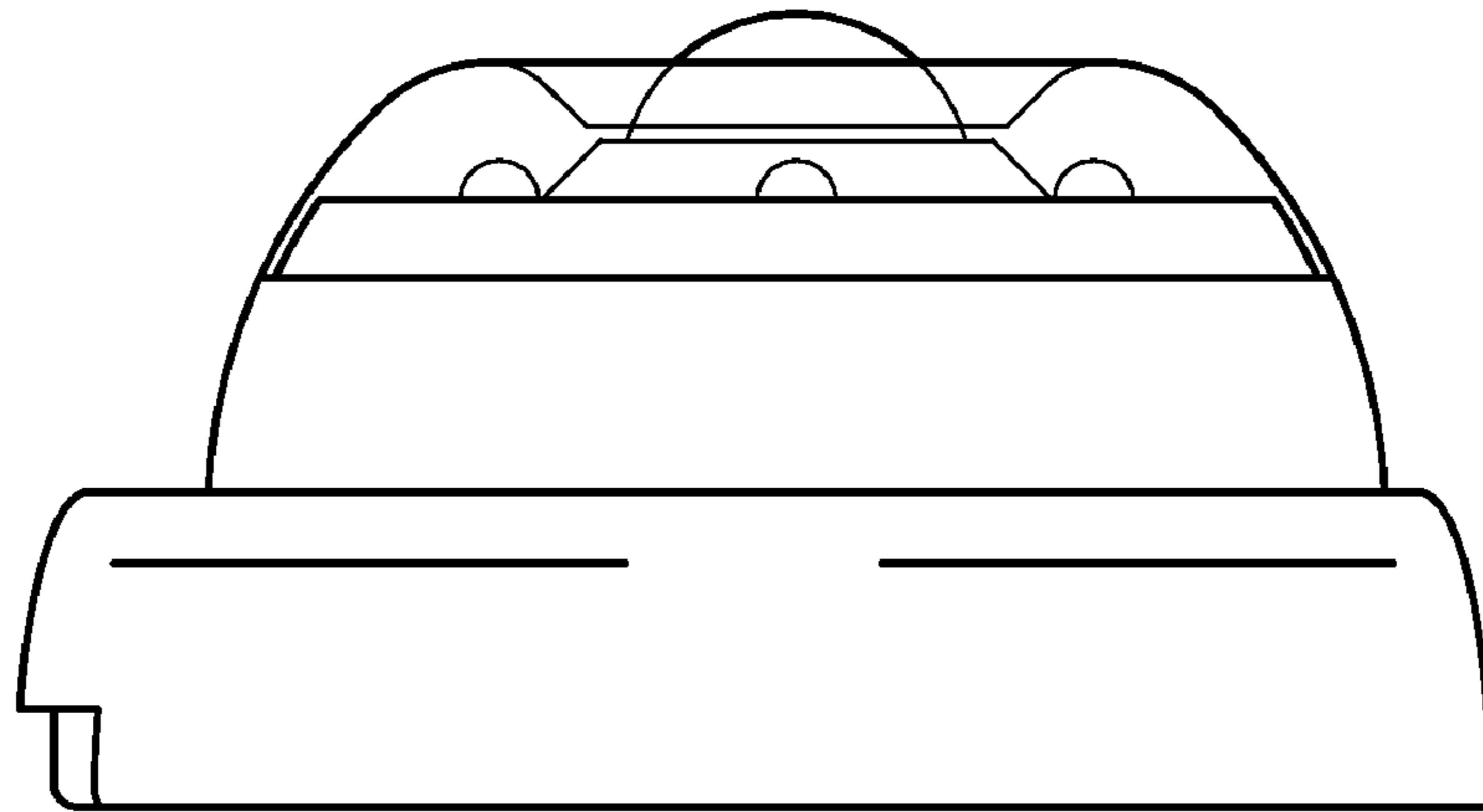


FIG. 7

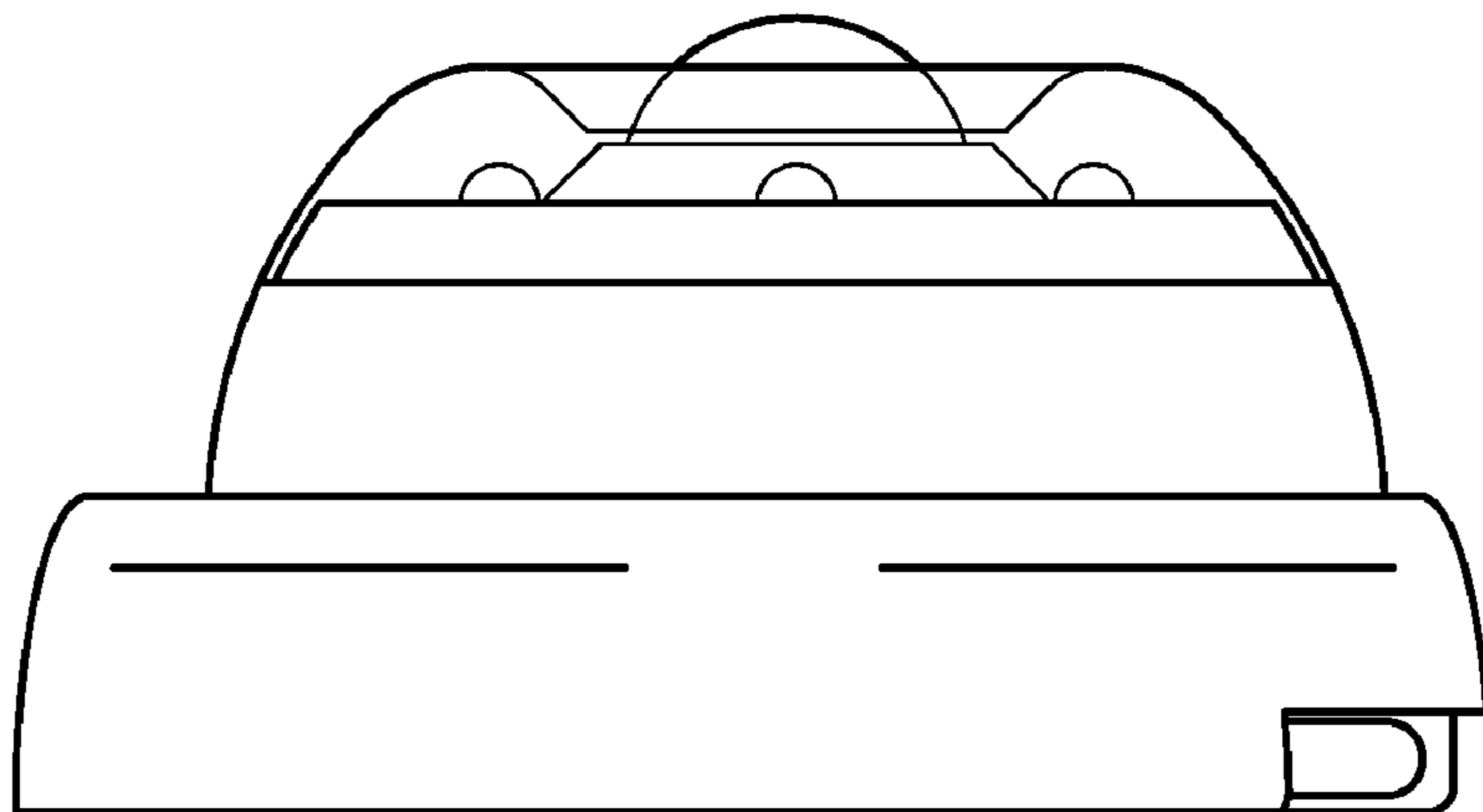


FIG. 8

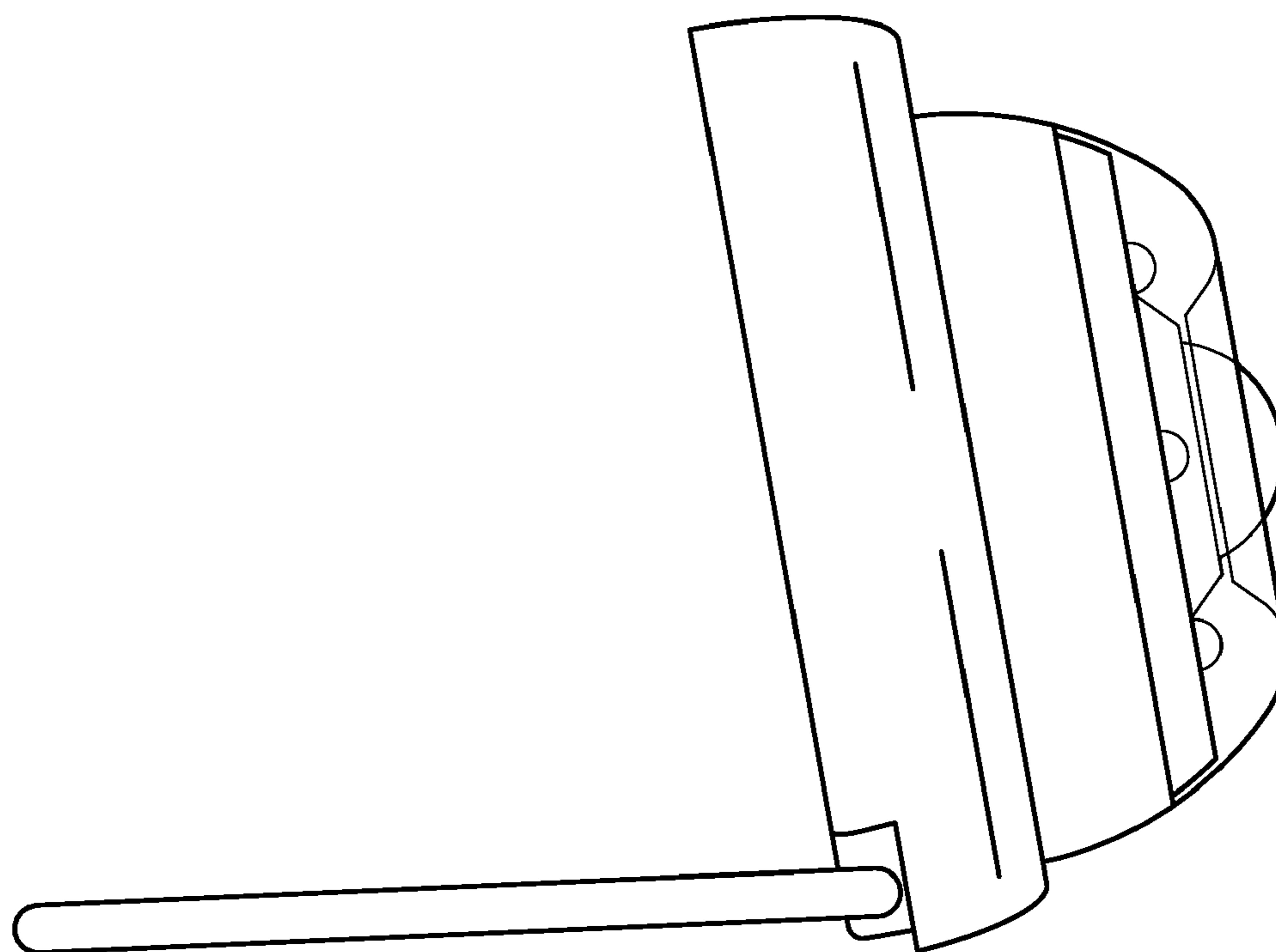


FIG. 9

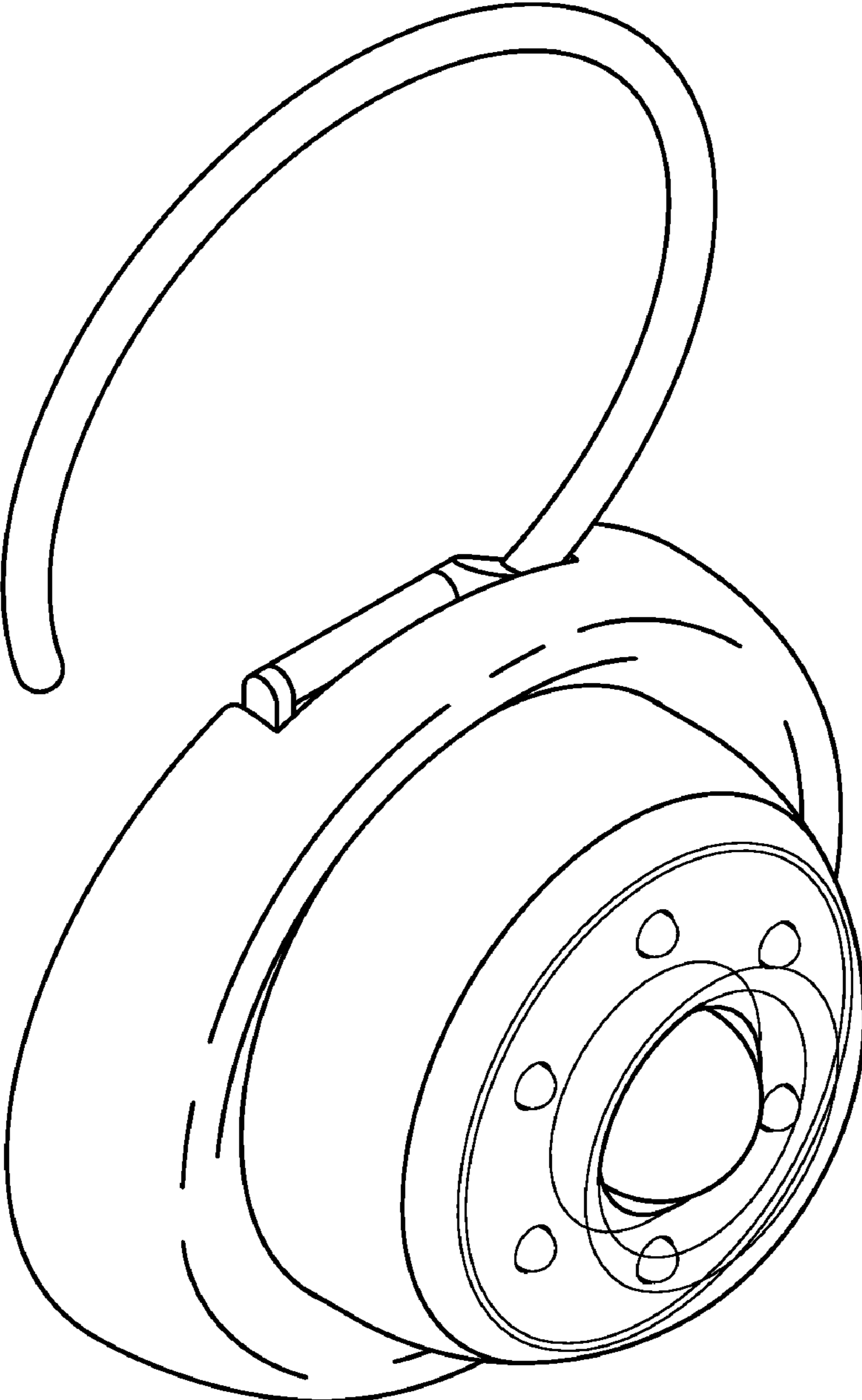


FIG. 10