



US00D645189S

(12) **United States Design Patent**  
**Howis et al.**

(10) **Patent No.:** **US D645,189 S**  
(45) **Date of Patent:** **\*\* Sep. 13, 2011**

(54) **MULTI-MODULE LED LIGHT-FIXTURE**

(75) Inventors: **Andrew Howis**, London (GB); **Keith Bradshaw**, Edinburg (GB); **Benz Roos**, London (GB); **Mark Major**, London (GB)

(73) Assignee: **Speirs & Major Associates Limited** (GB)

(\*\*) Term: **14 Years**

(21) Appl. No.: **29/358,479**

(22) Filed: **Mar. 26, 2010**

(51) **LOC (9) Cl.** ..... **26-05**

(52) **U.S. Cl.** ..... **D26/69; D26/71**

(58) **Field of Classification Search** ..... D26/67-72,  
D26/76, 85, 118, 128; 362/220, 239, 240,  
362/248, 249.02, 249.03, 249.1, 277, 282,  
362/285, 287, 311.02, 372, 431, 432

See application file for complete search history.

(56) **References Cited**

**U.S. PATENT DOCUMENTS**

D127,890 S	6/1941	Ohm	
D131,710 S *	3/1942	Williams	D26/128
D141,172 S	5/1945	Hallman	
D186,547 S	11/1959	Burton	
D203,294 S *	12/1965	Cianca	D26/71
D203,351 S	12/1965	Bobrick	
D204,558 S *	4/1966	Zeitz	D26/71
3,293,426 A *	12/1966	Zagel et al.	362/221
D255,726 S	7/1980	Leuthesser	
D324,433 S *	3/1992	Camino et al.	D26/67
D389,263 S	1/1998	Kuo	
D464,161 S	10/2002	Nourishad	
D464,162 S	10/2002	Segretto	
D480,830 S *	10/2003	Sieczkowski	D26/118
D493,565 S *	7/2004	Smith et al.	D26/118
D512,526 S *	12/2005	Zucker	D26/76
D519,237 S	4/2006	Kopp	
D584,444 S *	1/2009	Lipson	D26/85
D611,181 S *	3/2010	Tsai et al.	D26/71
D617,935 S *	6/2010	Miletich et al.	D26/76
D621,987 S *	8/2010	Tsai et al.	D26/69

**OTHER PUBLICATIONS**

All AEL Series luminaires from Luminaire Lighting Corporation. luminairelighting.com, visited Jun. 27, 2008.\*

Ludwigsburg Wall Sconce. Excerpt from www.interior-deluxe.com. 2 pages. Date: Copyright 2004.

Slice Wall Sconce. Excerpt from www.interior-deluxe.com. 2 pages. Date: Copyright 2004.

Gondola Wall Sconce. Excerpt from www.interior-deluxe.com. 2 pages. Date: Copyright 2004.

\* cited by examiner

*Primary Examiner* — Clare E Heflin

(74) *Attorney, Agent, or Firm* — Jansson Shupe & Munger Ltd.

(57) **CLAIM**

The ornamental design for a multi-module LED light fixture, as shown and described.

**DESCRIPTION**

FIG. 1 is a perspective view from below of the multi-module LED light fixture, the details of the underside of each module, a mounting arm and a pole being shown in phantom lines;

FIG. 2 is a side perspective view from below of the multi-module LED light fixture of FIG. 1;

FIG. 3 is a perspective view from above of the multi-module LED light fixture of FIG. 1;

FIG. 4 is a right-side elevation of the multi-module LED light fixture of FIG. 1, the left-side elevation view being a mirror image thereof;

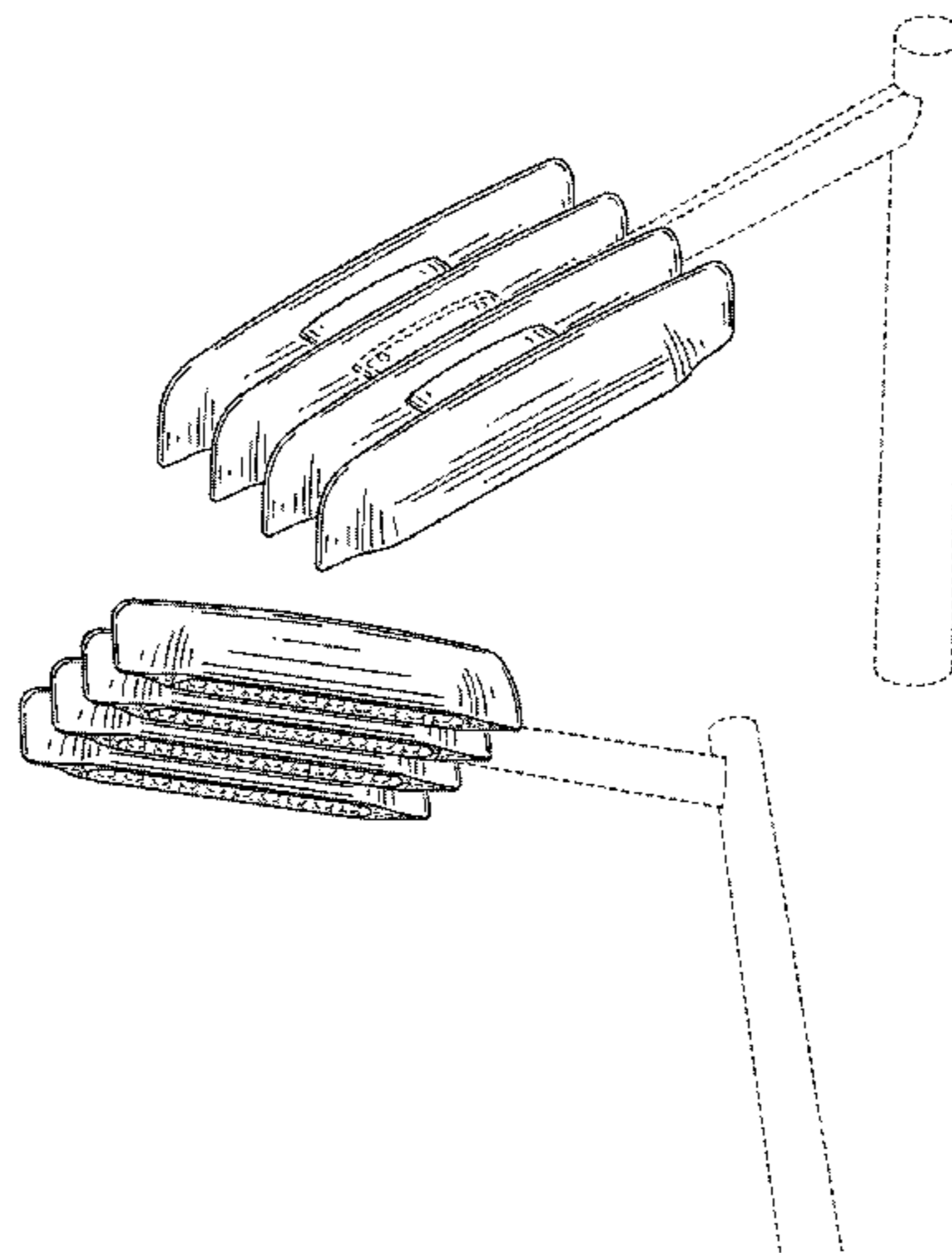
FIG. 5 is a bottom plan view of the multi-module LED light fixture of FIG. 1;

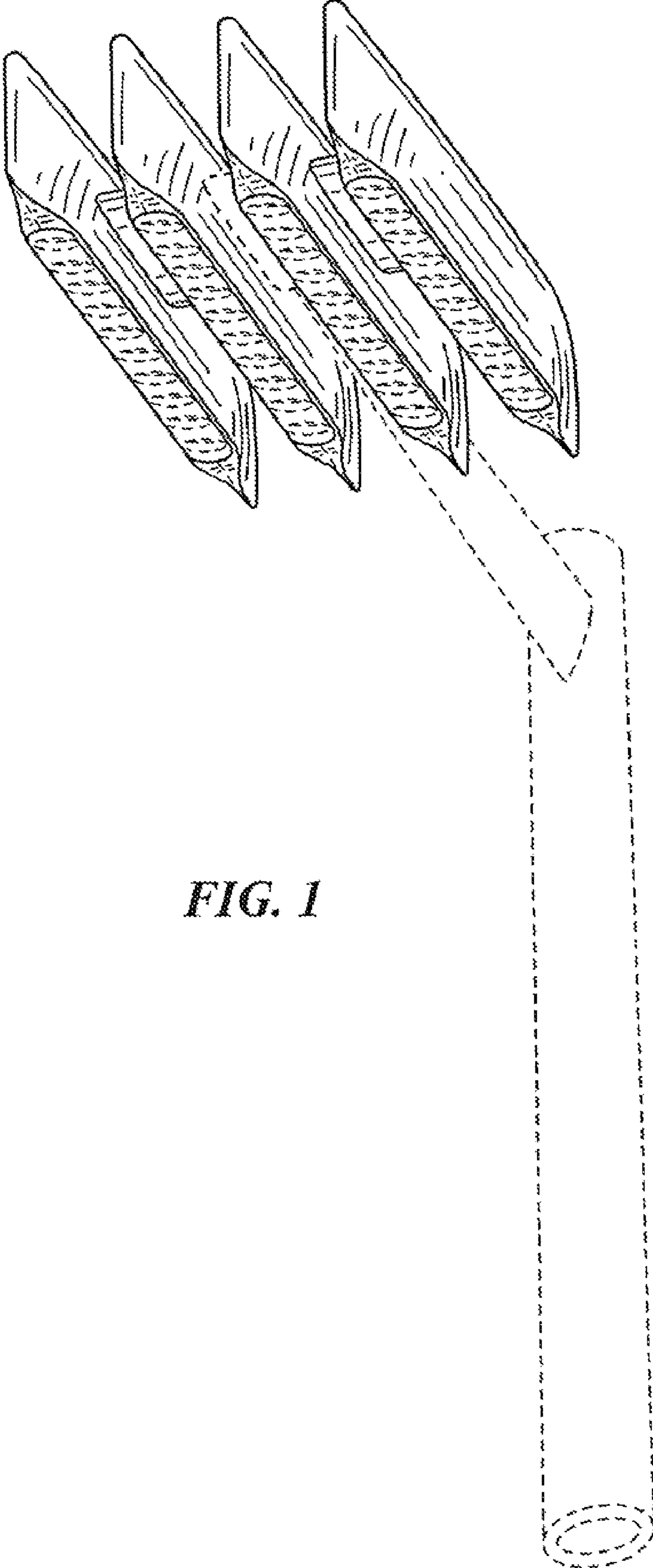
FIG. 6 is a top plan view of the multi-module LED light fixture of FIG. 1; and,

FIG. 7 is a front elevation of the multi-module LED light fixture of FIG. 1, the rear elevation being a mirror image thereof.

The phantom lines are provided for illustrative purposes only and form no part of the claimed design.

**1 Claim, 7 Drawing Sheets**





*FIG. 1*

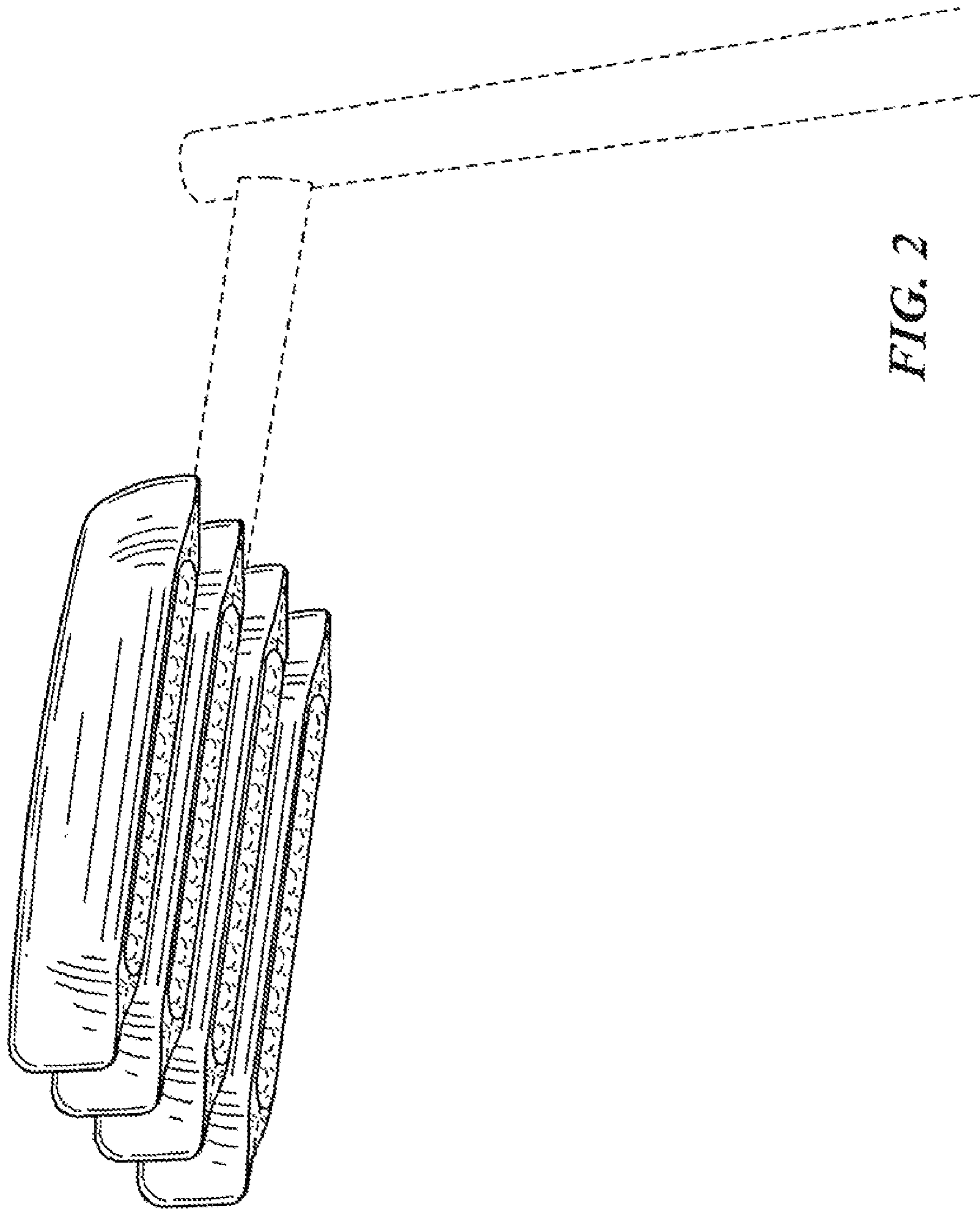


FIG. 2

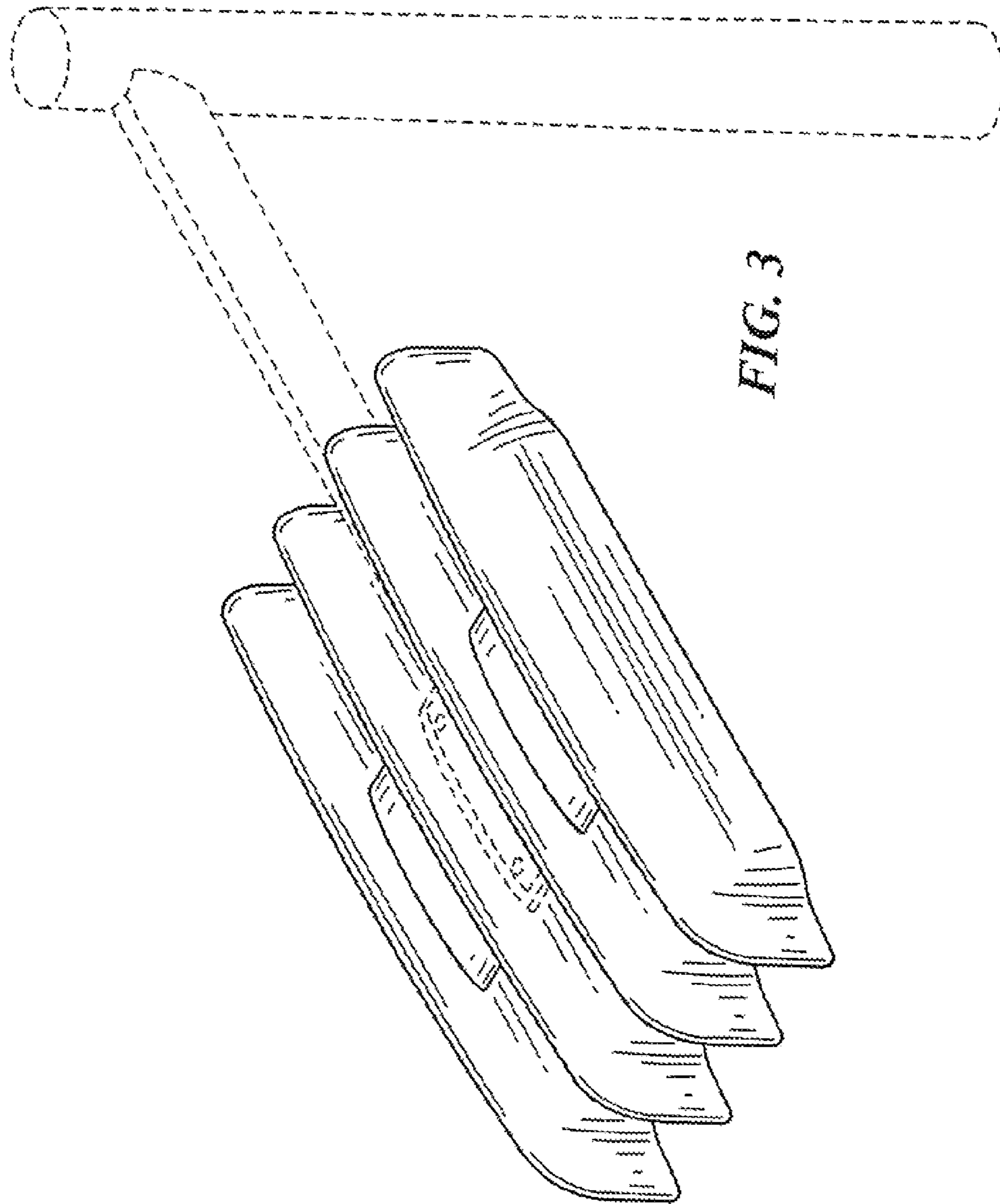
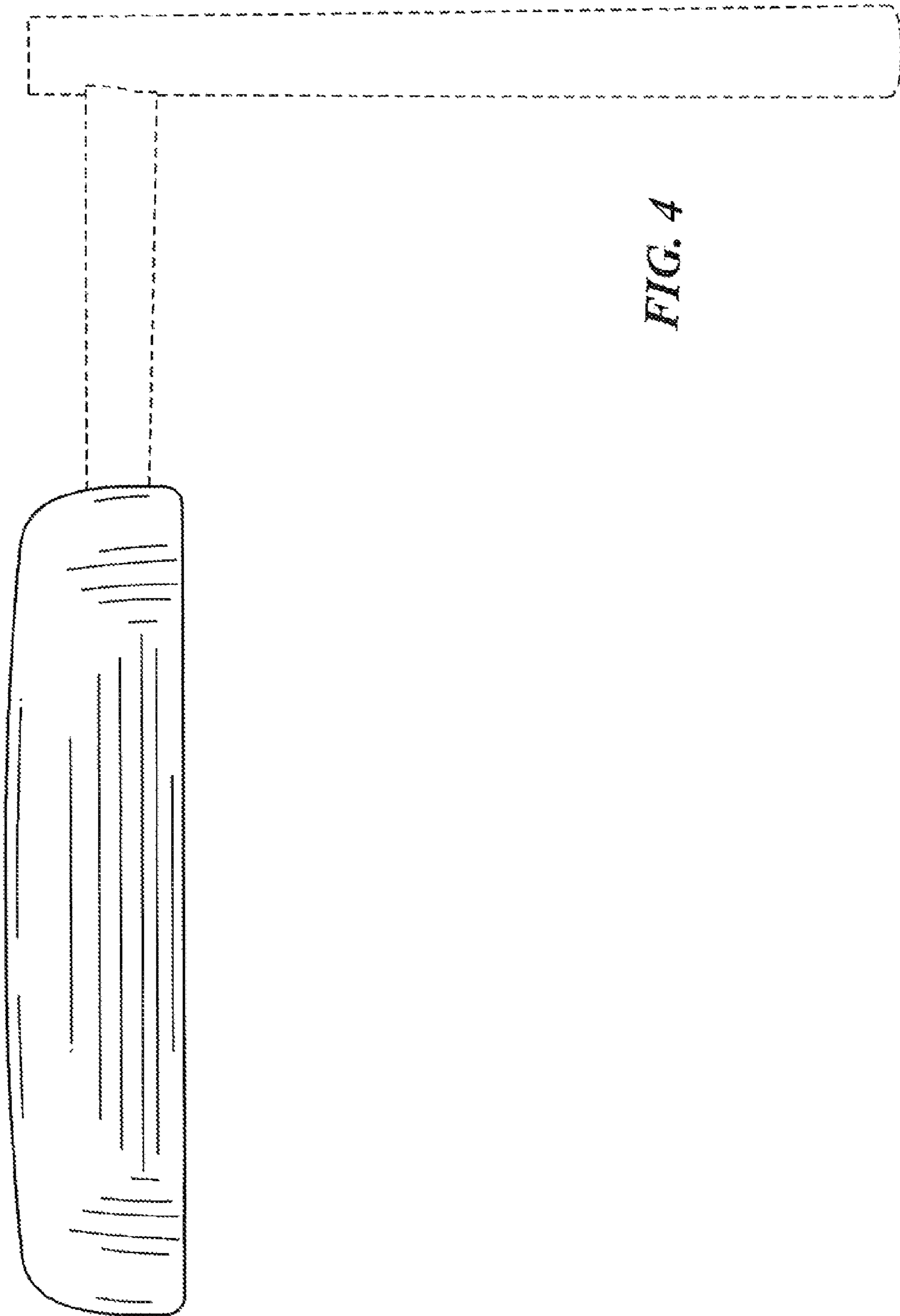
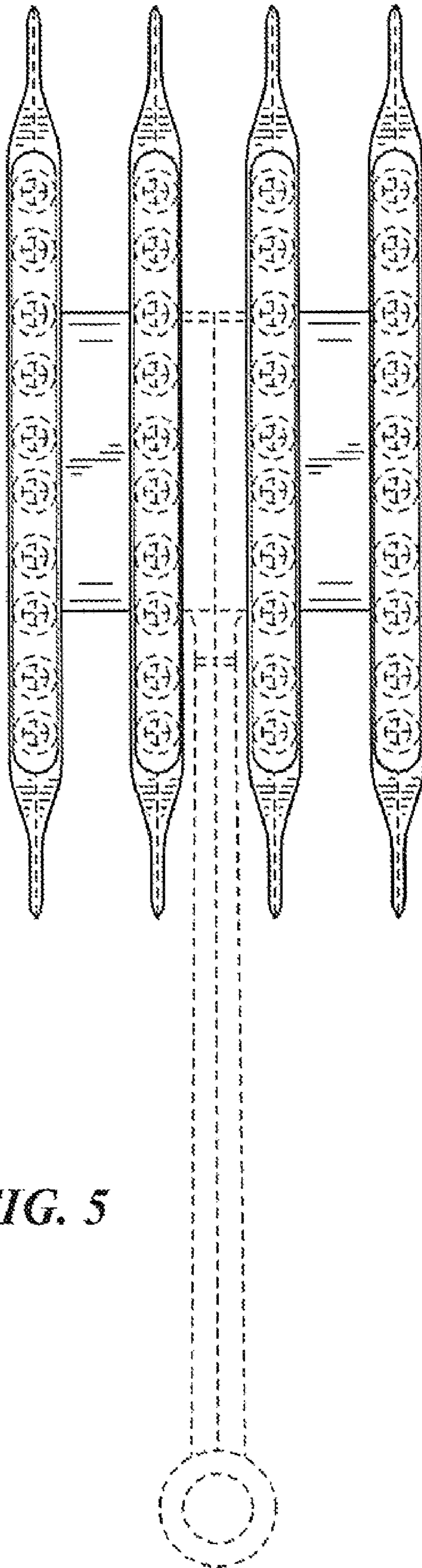


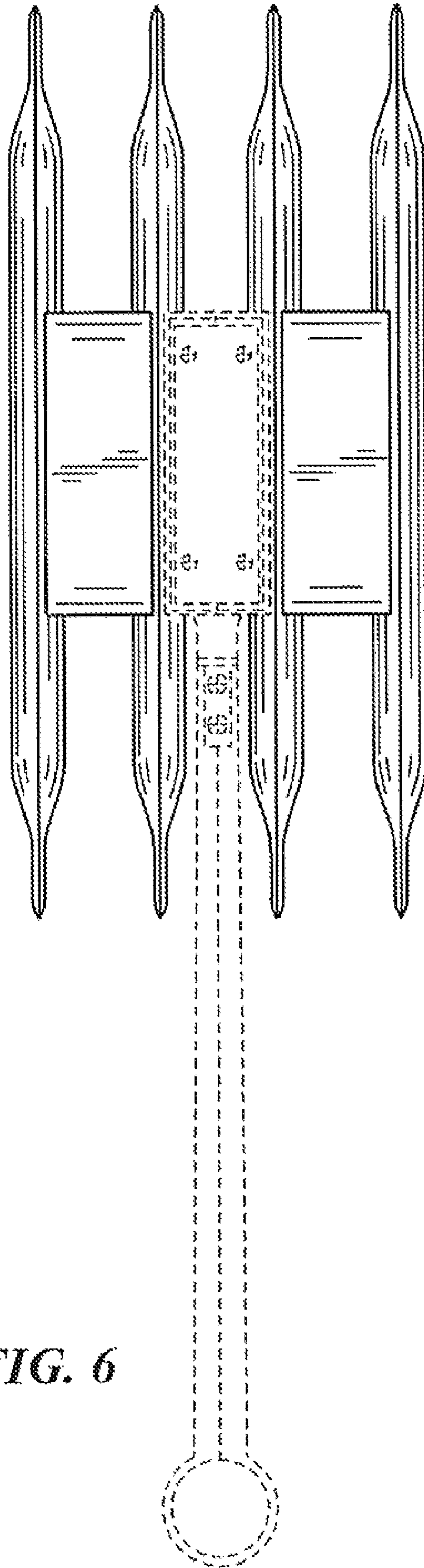
FIG. 3



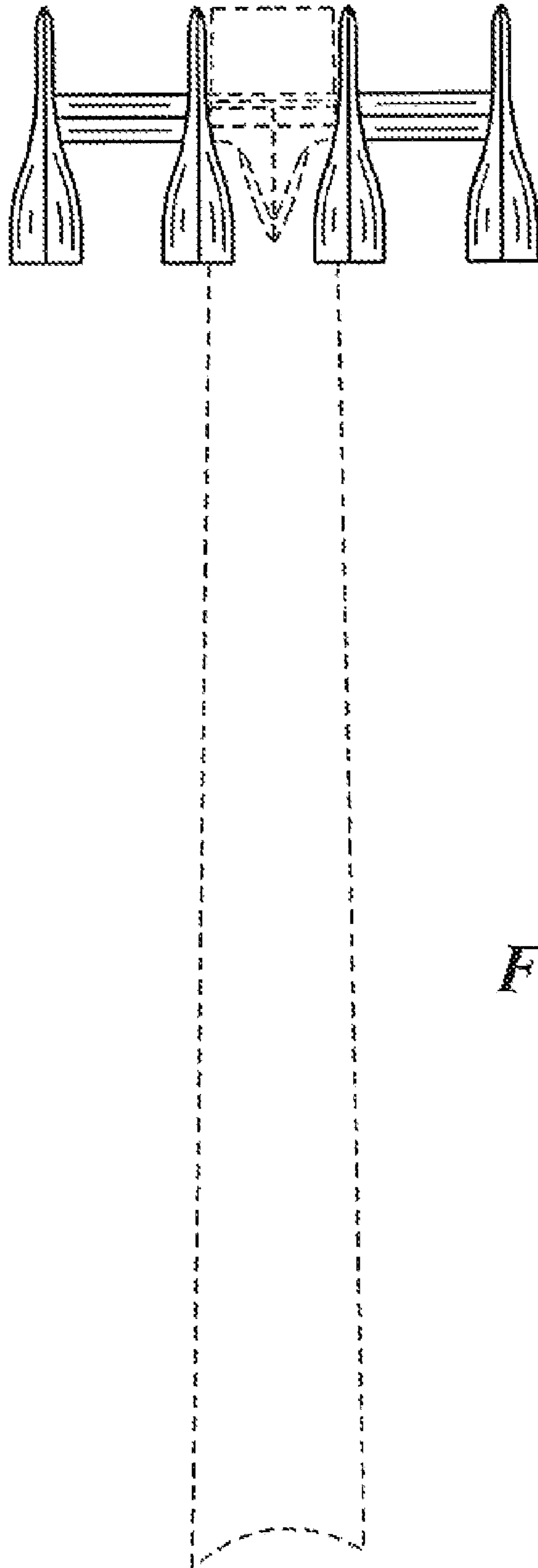
*FIG. 4*



*FIG. 5*



*FIG. 6*



*FIG. 7*