



US00D645188S

(12) **United States Design Patent**
Sabernig

(10) **Patent No.:** **US D645,188 S**

(45) **Date of Patent:** **** Sep. 13, 2011**

(54) **LIGHT FIXTURE**

(75) Inventor: **Robert Sabernig**, Munster (AT)

(73) Assignee: **EGLO Leuchten GmbH**, Innsbruck (AT)

(**) Term: **14 Years**

(21) Appl. No.: **29/381,713**

(22) Filed: **Dec. 22, 2010**

(51) **LOC (9) Cl.** **26-05**

(52) **U.S. Cl.** **D26/65**

(58) **Field of Classification Search** D26/60–66,
D26/72, 80–90; 362/145, 147, 404, 418,
362/419, 427, 432, 449, 405–408, 431
See application file for complete search history.

(56) **References Cited**

U.S. PATENT DOCUMENTS

D134,482 S *	12/1942	Ganger	D26/81
D168,738 S *	2/1953	Friedman	D23/334
D172,688 S *	7/1954	Ruskin	D26/81
D262,829 S *	1/1982	Kvasnicka	D26/84
D314,059 S *	1/1991	O'Neil	D26/73
D435,133 S *	12/2000	Miranda	D26/84
D493,568 S *	7/2004	Parres	D26/143
D541,970 S *	5/2007	Blackman	D26/81
D576,339 S *	9/2008	Porter	D26/86
D620,176 S *	7/2010	Sabernig	D26/83
D634,887 S *	3/2011	Kitts	D26/143

* cited by examiner

Primary Examiner — Susan M Lee

Assistant Examiner — Linda Brooks

(74) *Attorney, Agent, or Firm* — Baker & McKenzie LLP

(57) **CLAIM**

The ornamental design for a light fixture, as shown and described.

DESCRIPTION

FIG. 1 is a perspective view of a light fixture in accordance with my design;

FIG. 2 is a front elevation view of the light fixture in accordance with my design, the opposite view being a mirror image of that shown;

FIG. 3 is a side elevation view of the light fixture in accordance with my design showing the lamp in a rotated position and the opposite view being a mirror image of that shown;

FIG. 4 is a bottom plan view of the light fixture in accordance with my design; and,

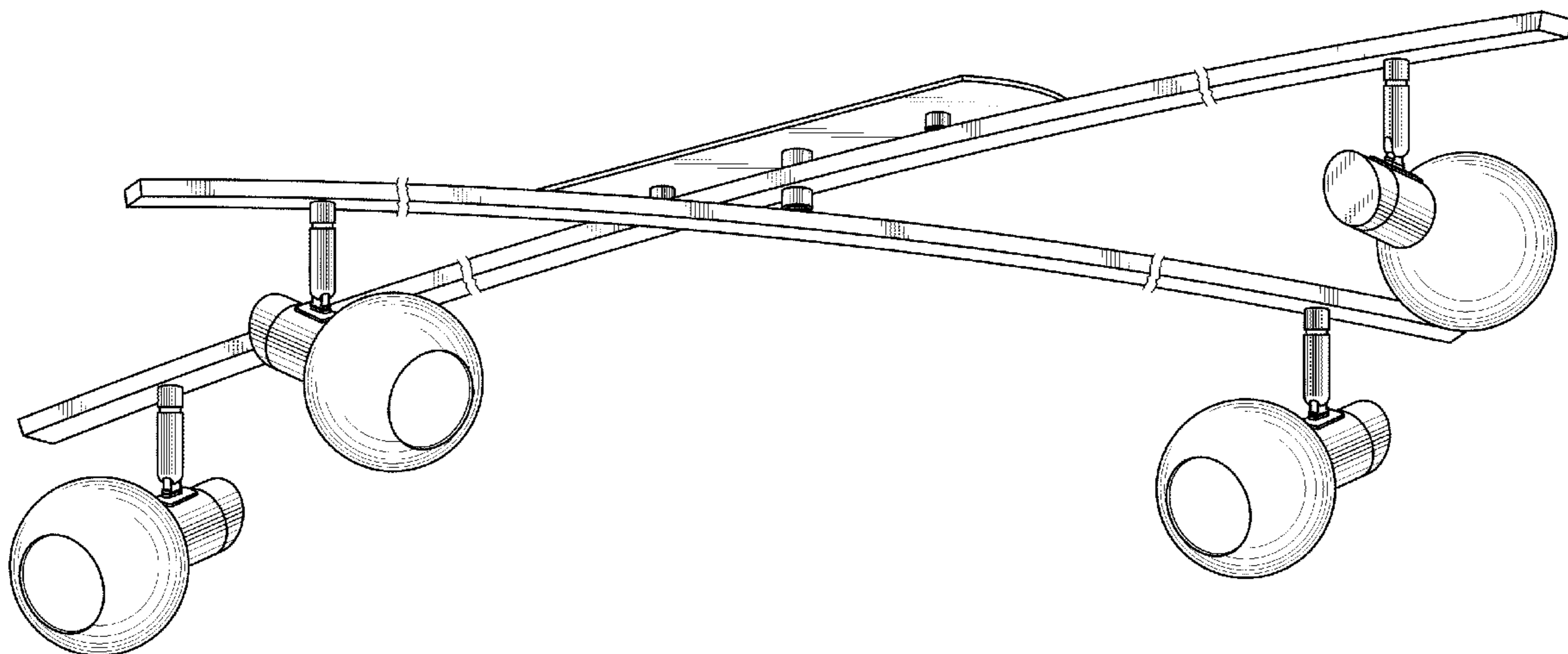
FIG. 5 is a top plan view of the light fixture in accordance with my design.

Each lamp and cross-member in FIGS. 1-5 is rotatable and adjustable about its fixed position.

The portions of the light fixture shown broken away in FIGS. 1-5 are to depict non-specified length.

The broken-line disclosure of elements is understood to represent portions of the article in which the design is embodied, but which form no part of the claimed design.

1 Claim, 4 Drawing Sheets



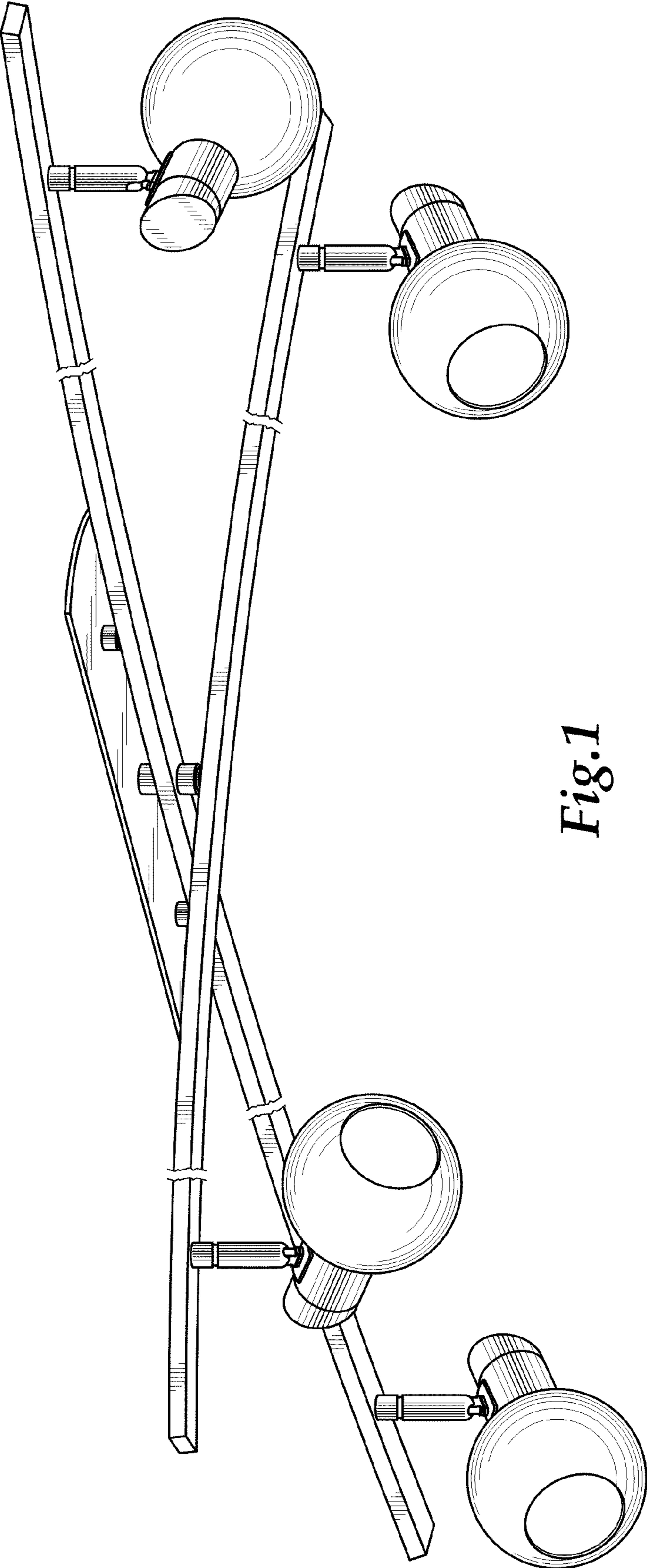


Fig.1

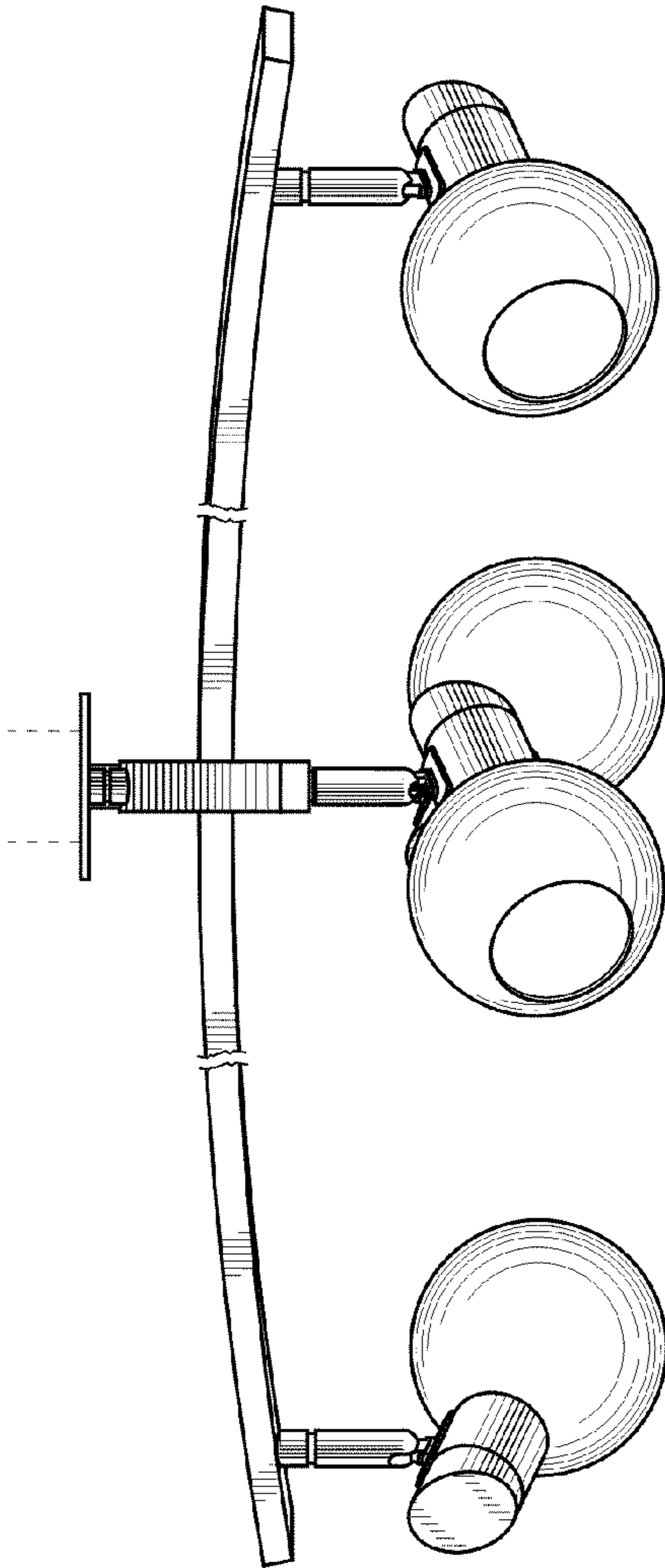


Fig. 2

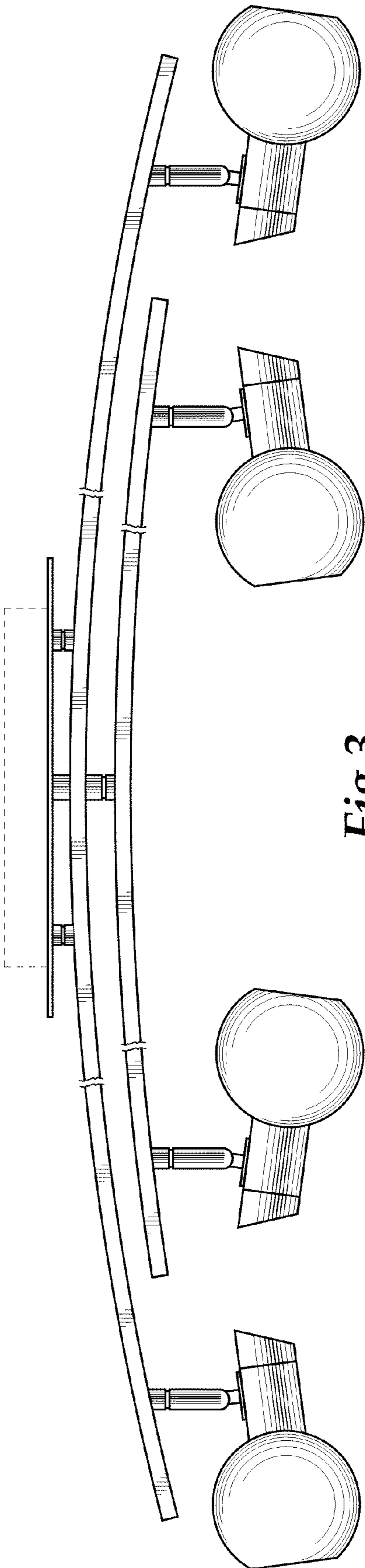
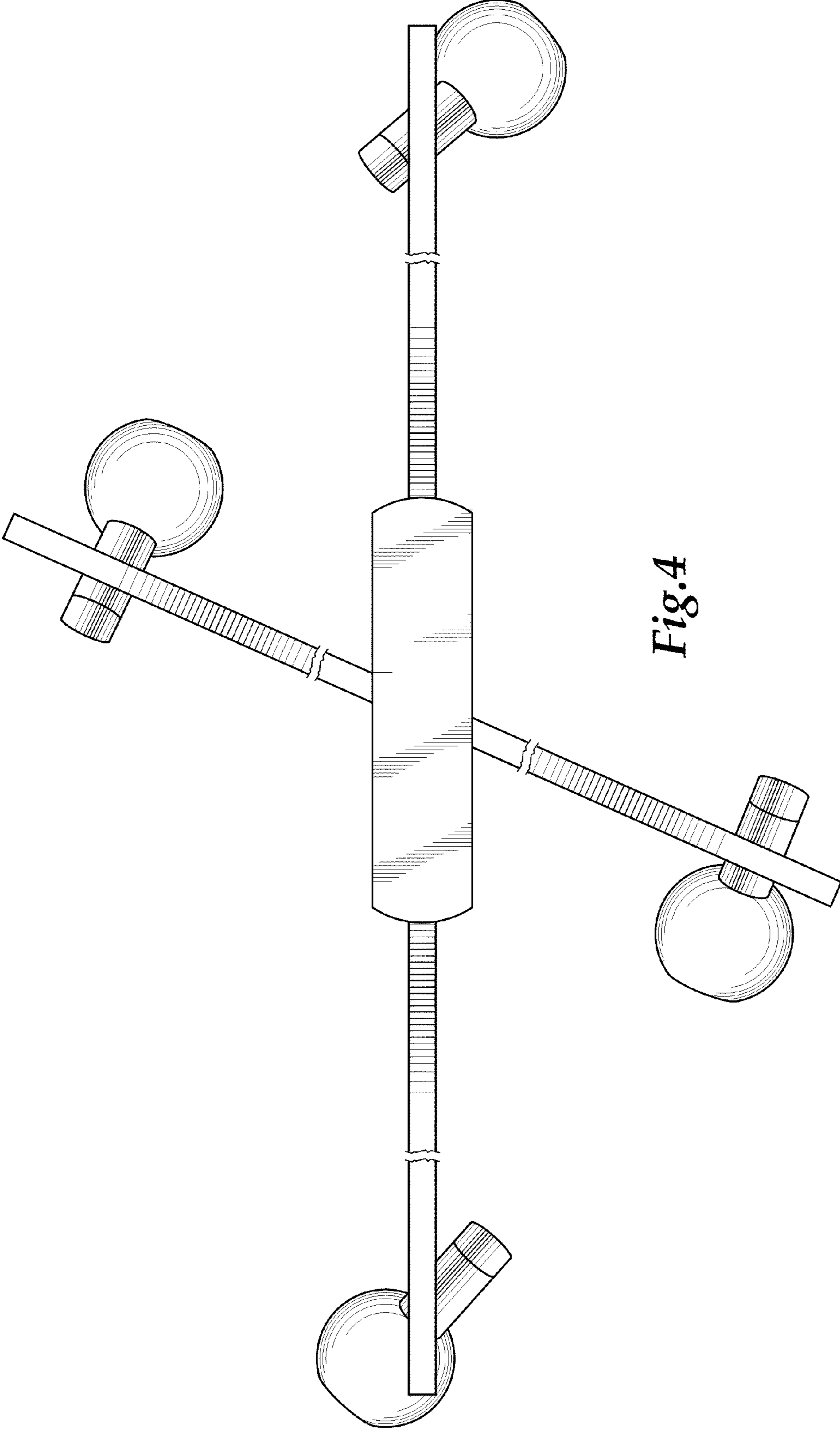


Fig. 3



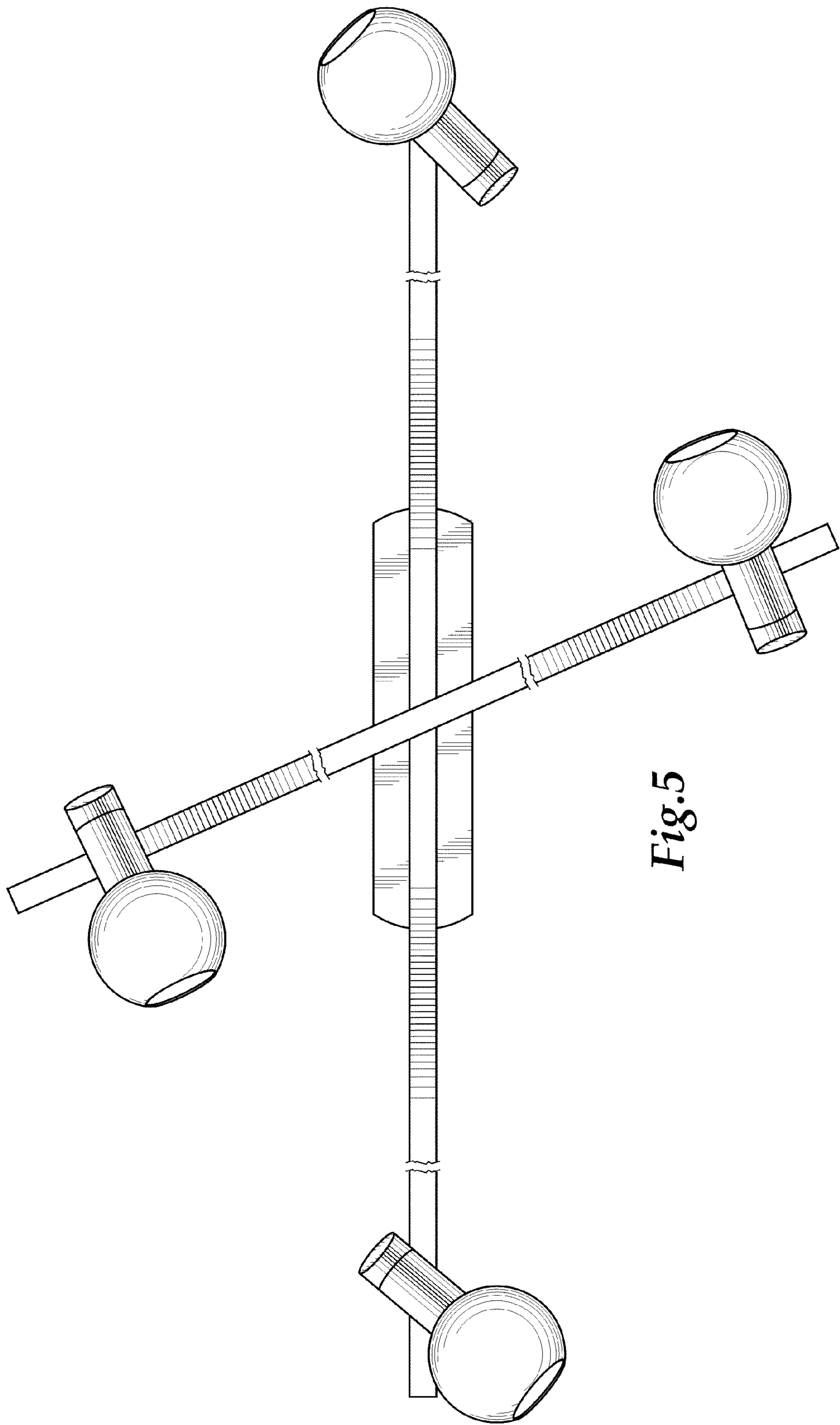


Fig.5