



US00D645187S

(12) **United States Design Patent**
Sabernig

(10) **Patent No.:** **US D645,187 S**

(45) **Date of Patent:** **** Sep. 13, 2011**

(54) **LIGHT FIXTURE**

(75) **Inventor:** **Robert Sabernig, Munster (AT)**

(73) **Assignee:** **EGLO Leuchten GmbH, Innsbruck (AT)**

(**) **Term:** **14 Years**

(21) **Appl. No.:** **29/381,458**

(22) **Filed:** **Dec. 20, 2010**

(51) **LOC (9) Cl.** **26-05**

(52) **U.S. Cl.** **D26/65**

(58) **Field of Classification Search** D26/60-66,
D26/72, 80-90; 362/145, 147, 404, 418,
362/419, 427, 432, 449, 405-408, 431, 269,
362/281, 277, 287, 283, 285, 275

See application file for complete search history.

(56) **References Cited**

U.S. PATENT DOCUMENTS

| | | | | |
|--------------|--------|---------------|-------|--------|
| D263,761 S * | 4/1982 | Glassman | | D26/83 |
| D406,671 S * | 3/1999 | Tsuji | | D26/84 |
| D444,255 S * | 6/2001 | Bucher et al. | | D26/80 |
| D448,508 S * | 9/2001 | Benghozi | | D26/63 |

| | | | | |
|--------------|---------|----------|-------|--------|
| D550,890 S * | 9/2007 | Wang | | D26/83 |
| D589,197 S * | 3/2009 | Sabernig | | D26/83 |
| D611,639 S * | 3/2010 | Sabernig | | D26/63 |
| D628,330 S * | 11/2010 | Sabernig | | D26/63 |

* cited by examiner

Primary Examiner — Susan M Lee

Assistant Examiner — Linda Brooks

(74) *Attorney, Agent, or Firm* — Baker & McKenzie LLP

(57) **CLAIM**

The ornamental design for a light fixture, as shown and described.

DESCRIPTION

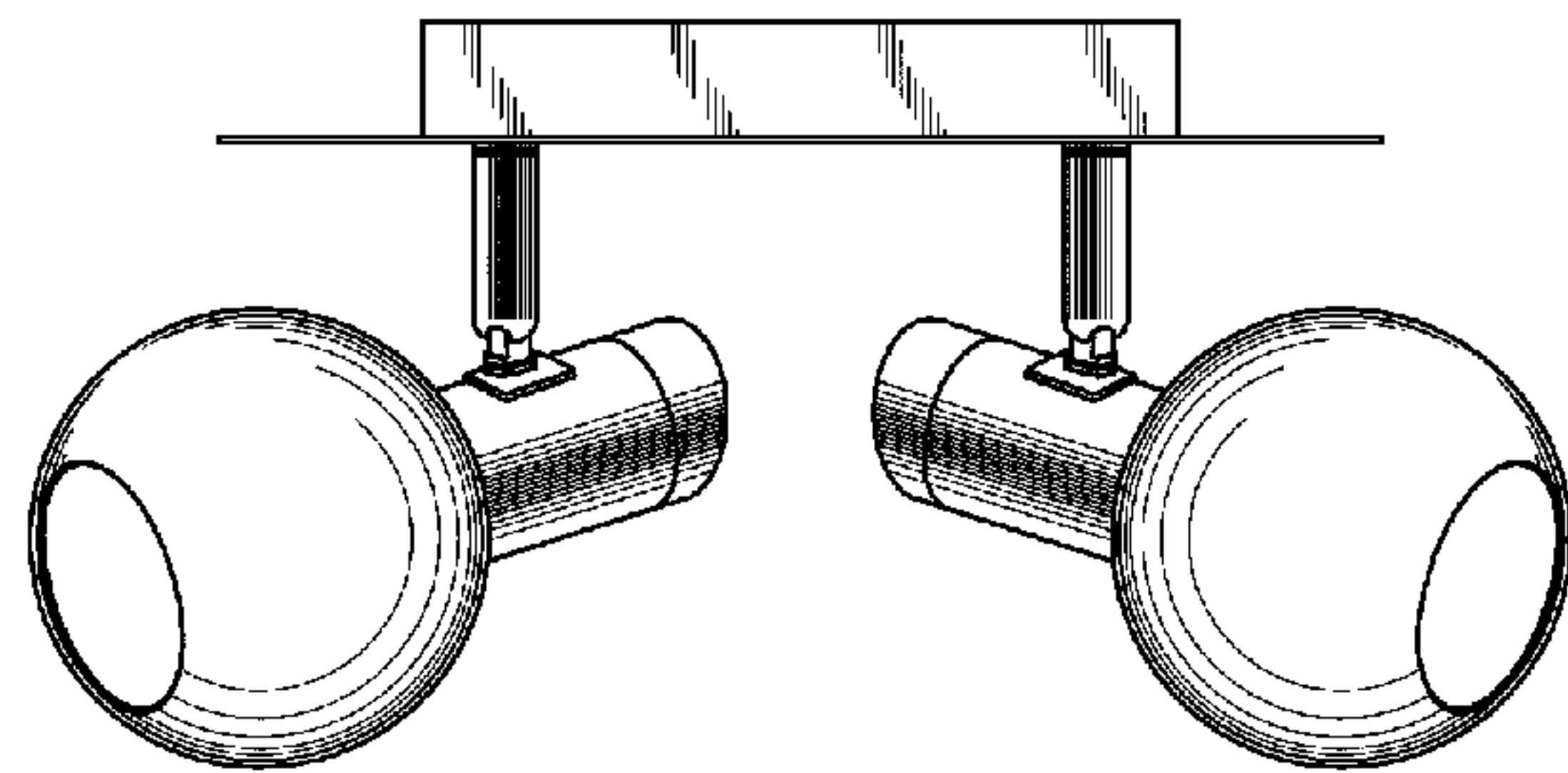
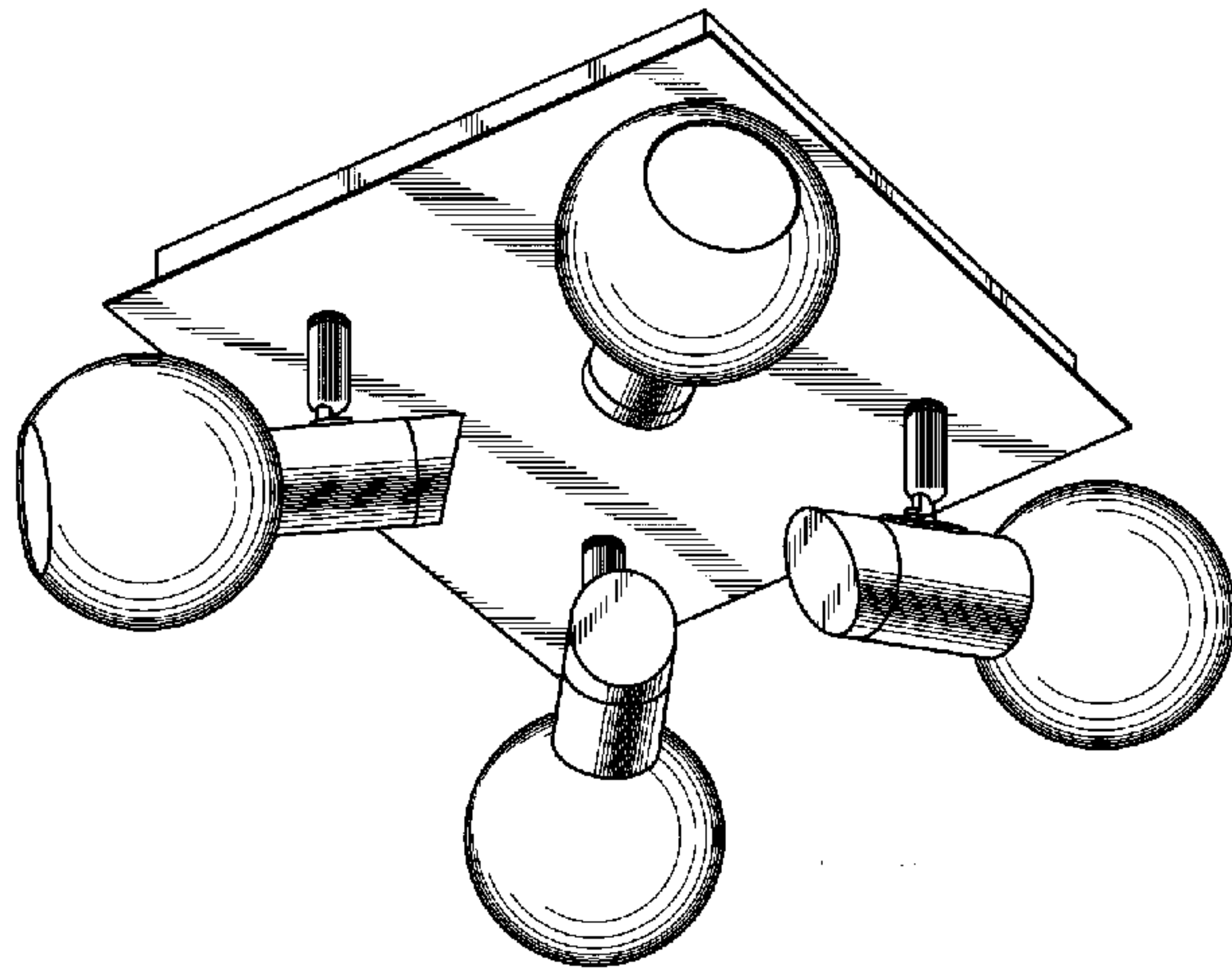
FIG. 1 is a perspective view of a light fixture in accordance with my design;

FIG. 2 is a side elevation view of the light fixture in accordance with my design, all side views being substantially identical; and,

FIG. 3 is a bottom plan view of the light fixture in accordance with my design.

Each lamp in FIGS. 1-3 is rotatable and adjustable about its fixed positions.

1 Claim, 2 Drawing Sheets



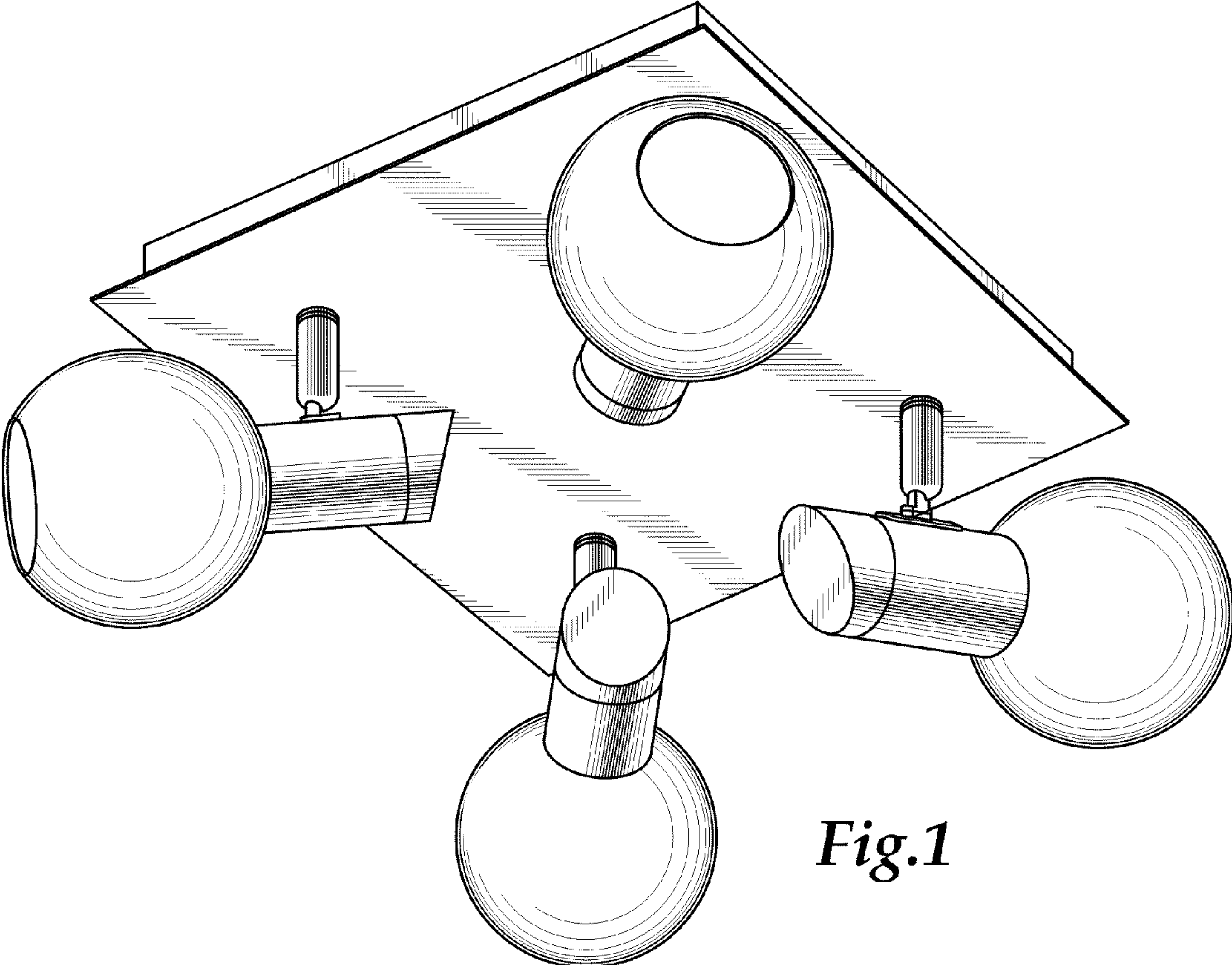


Fig.1

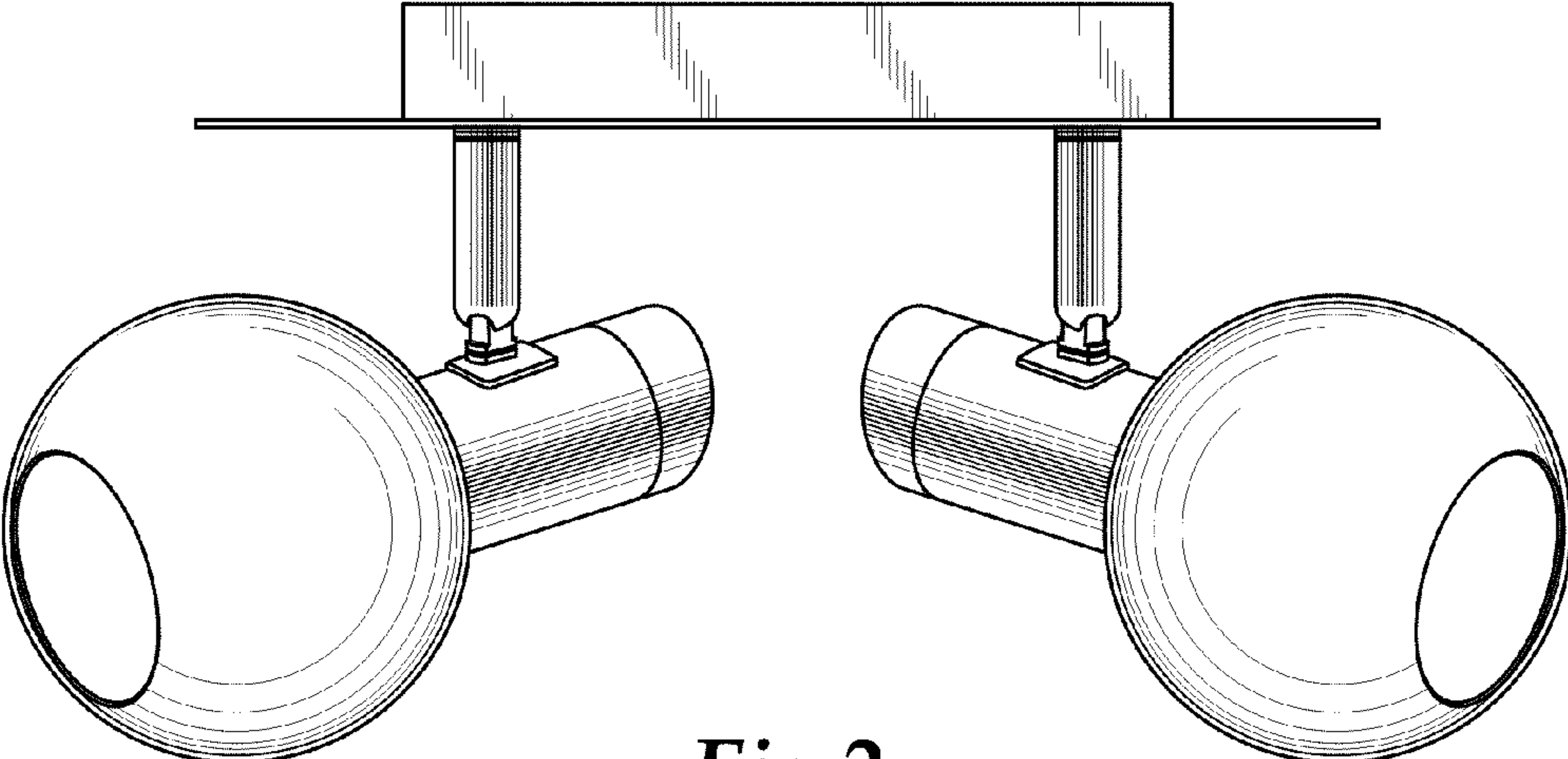


Fig.2

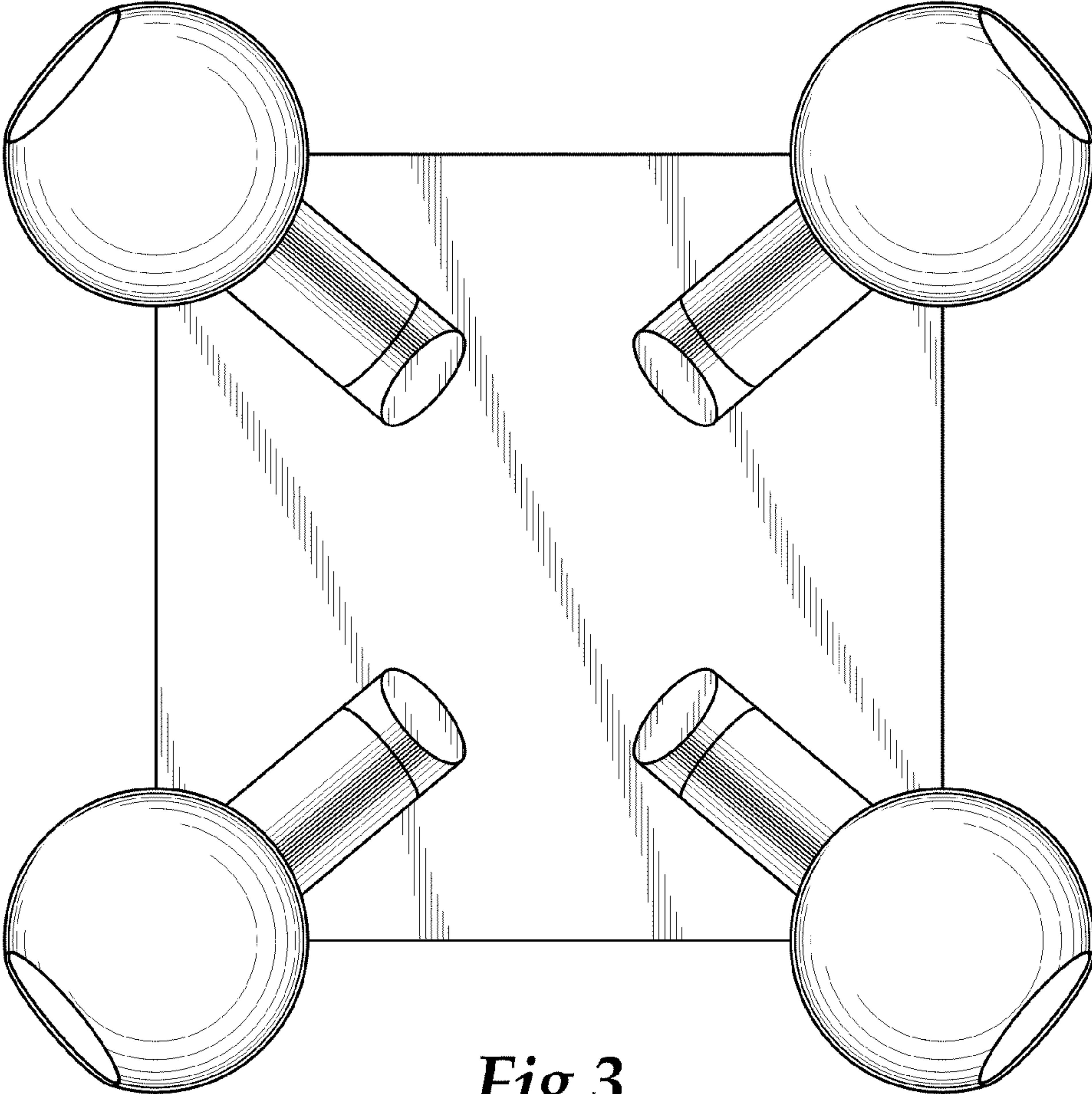


Fig.3