



US00D645186S

(12) **United States Design Patent**
Sabernig

(10) **Patent No.:** **US D645,186 S**

(45) **Date of Patent:** **** Sep. 13, 2011**

(54) **LIGHT FIXTURE**

(75) Inventor: **Robert Sabernig**, Munster (AT)

(73) Assignee: **EGLO Leuchten GmbH**, Innsbruck (AU)

(**) Term: **14 Years**

(21) Appl. No.: **29/381,708**

(22) Filed: **Dec. 22, 2010**

(51) **LOC (9) Cl.** **26-05**

(52) **U.S. Cl.** **D26/63**

(58) **Field of Classification Search** D26/60-66,
D26/72, 80-90, 118; 362/404, 418, 419,
362/427, 432, 449, 405-408, 431, 269, 277,
362/287, 281-283, 285, 275, 640, 227, 247.07,
362/278, 145, 147, 319, 322, 351, 352, 355,
362/361

See application file for complete search history.

(56) **References Cited**

U.S. PATENT DOCUMENTS

D470,962 S *	2/2003	Chen	D26/63
D506,022 S *	6/2005	Benghozi	D26/128
D563,579 S *	3/2008	Grimberg	D26/61
D589,192 S *	3/2009	Sabernig	D26/63
D589,193 S *	3/2009	Sabernig	D26/63
D589,198 S *	3/2009	Sabernig	D26/83
D600,390 S *	9/2009	Sabernig	D26/65

D602,621 S *	10/2009	Kay	D26/65
D602,622 S *	10/2009	Kay	D26/65
D611,636 S *	3/2010	Sabernig	D26/63

* cited by examiner

Primary Examiner — Susan M Lee

Assistant Examiner — Linda Brooks

(74) *Attorney, Agent, or Firm* — Bake & McKenzie LLP

(57) **CLAIM**

The ornamental design for a light fixture, as shown and described.

DESCRIPTION

FIG. 1 is a perspective view of a light fixture in accordance with my design;

FIG. 2 is a side elevation view of the light fixture in accordance with my design;

FIG. 3 is a side elevation view of the light fixture in accordance with my design, the opposite view of FIG. 2 above;

FIG. 4 is a bottom plan view of the light fixture in accordance with my design;

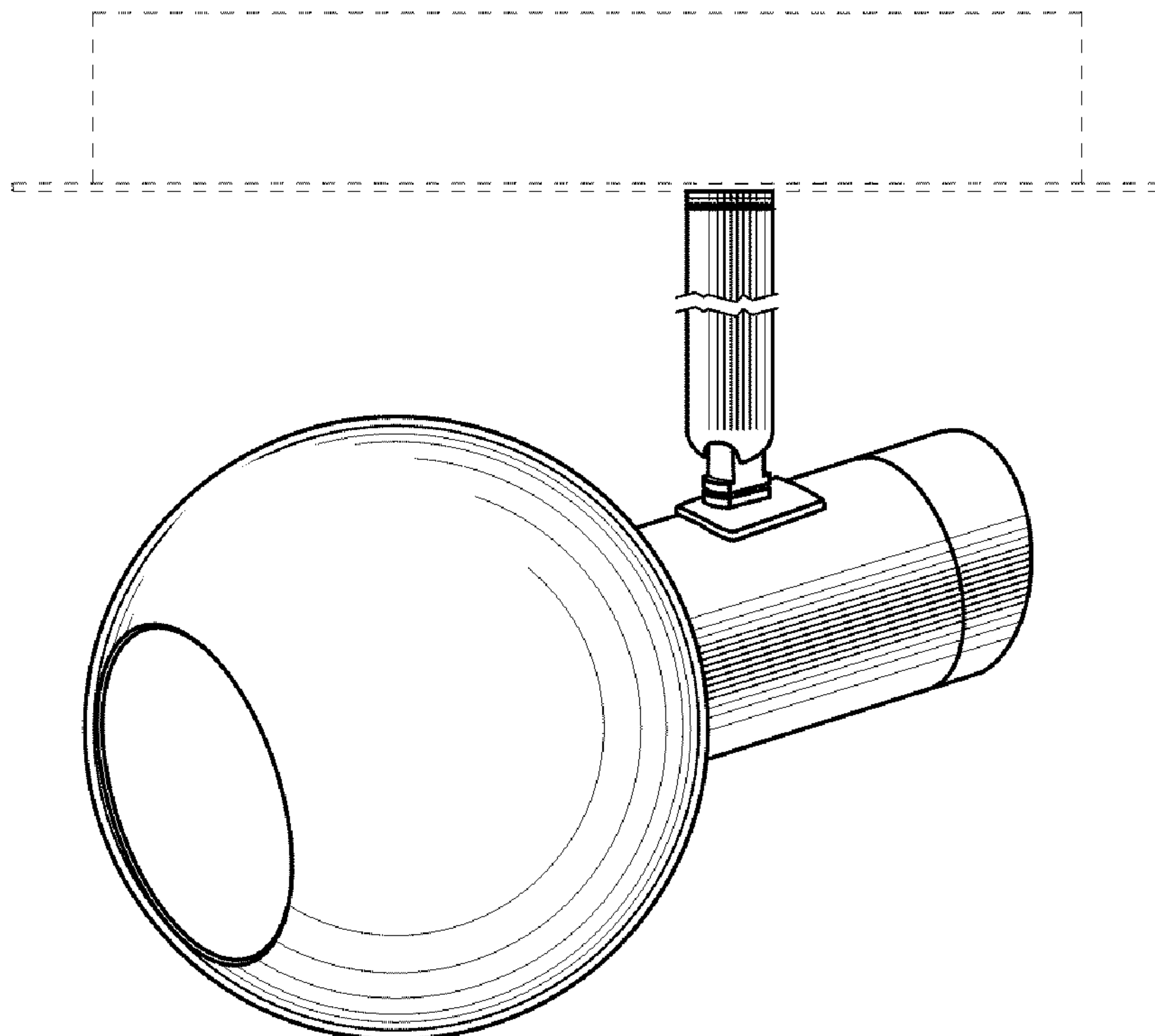
FIG. 5 is a back elevation view of the light fixture in accordance with my design; and,

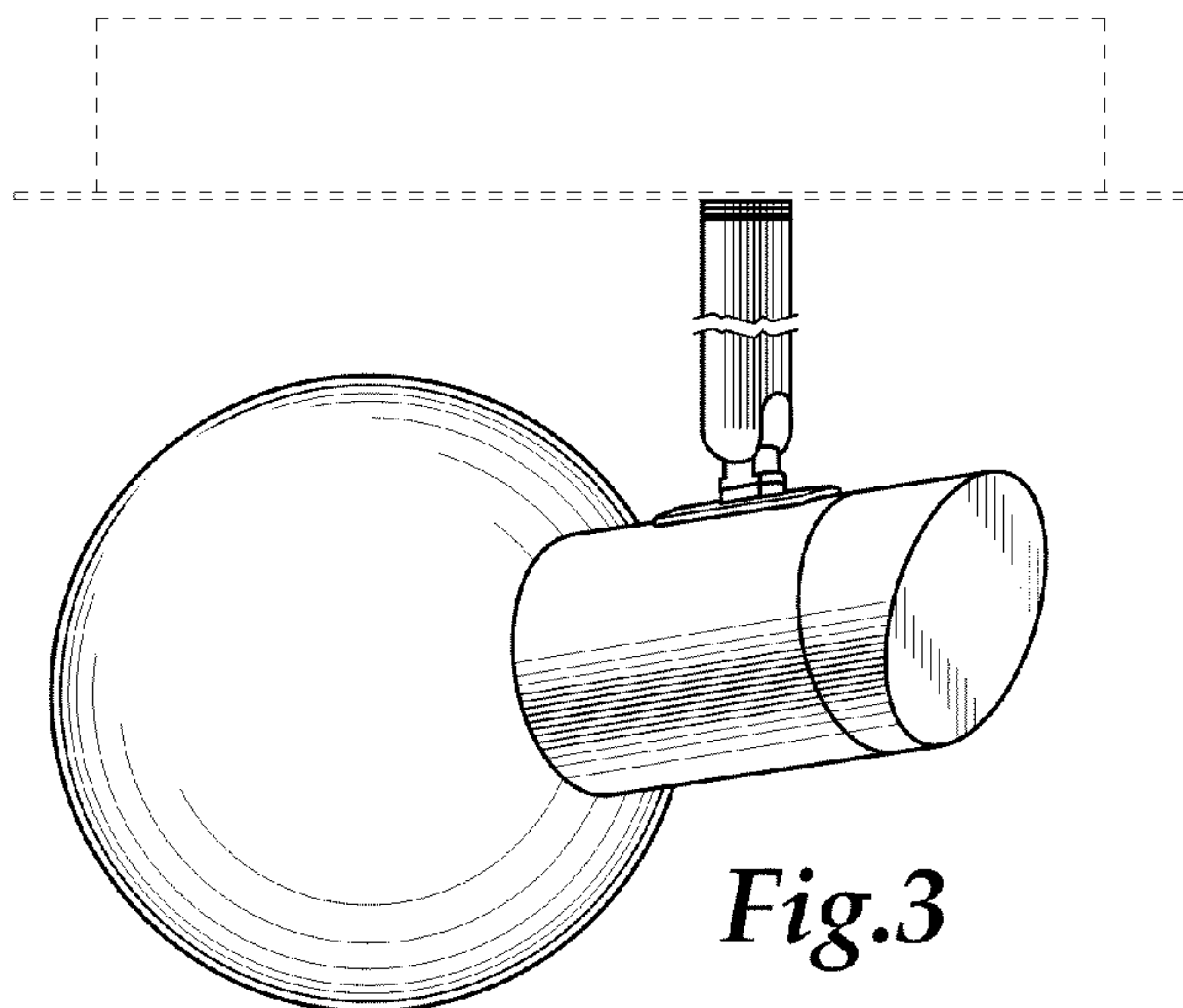
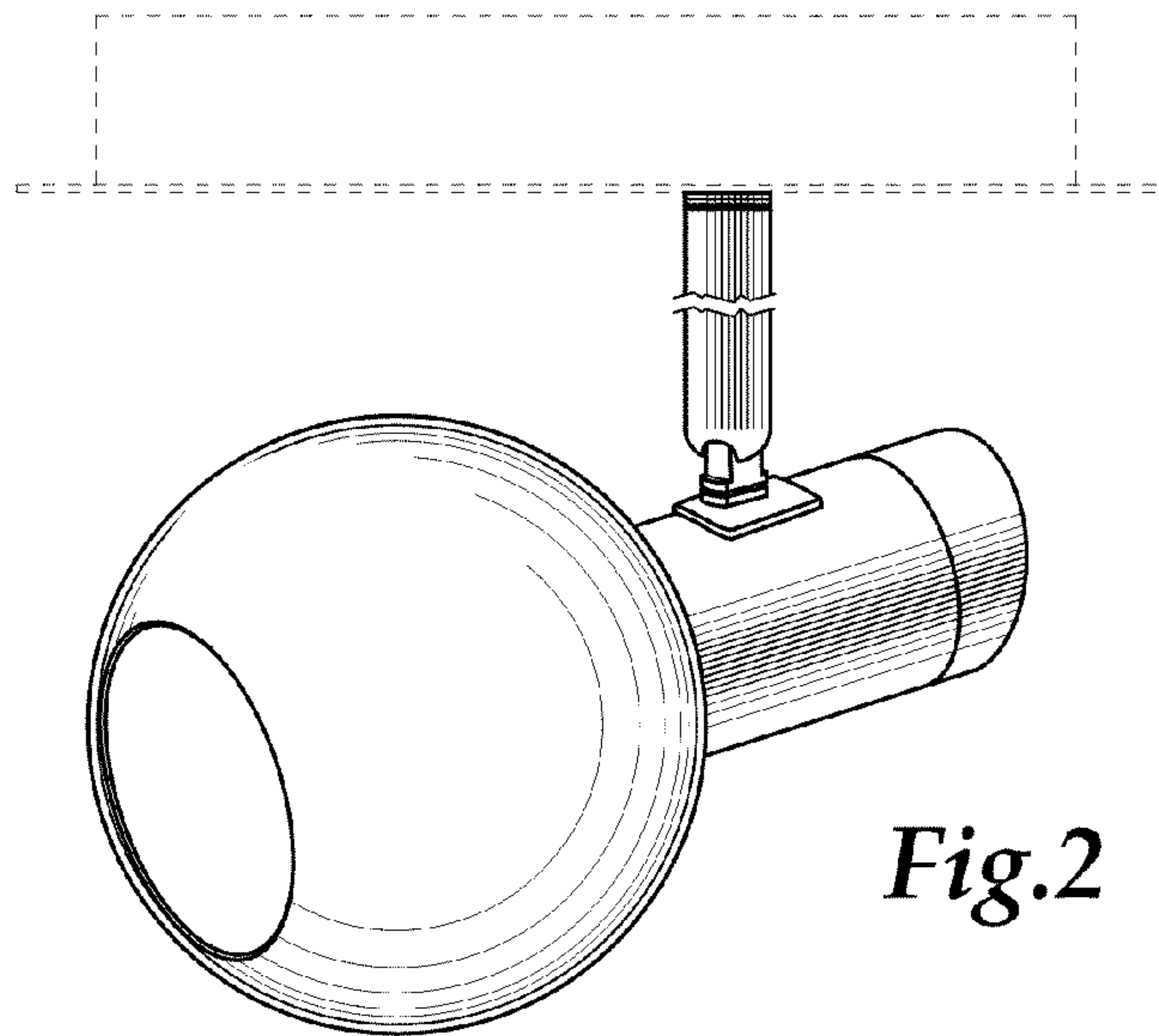
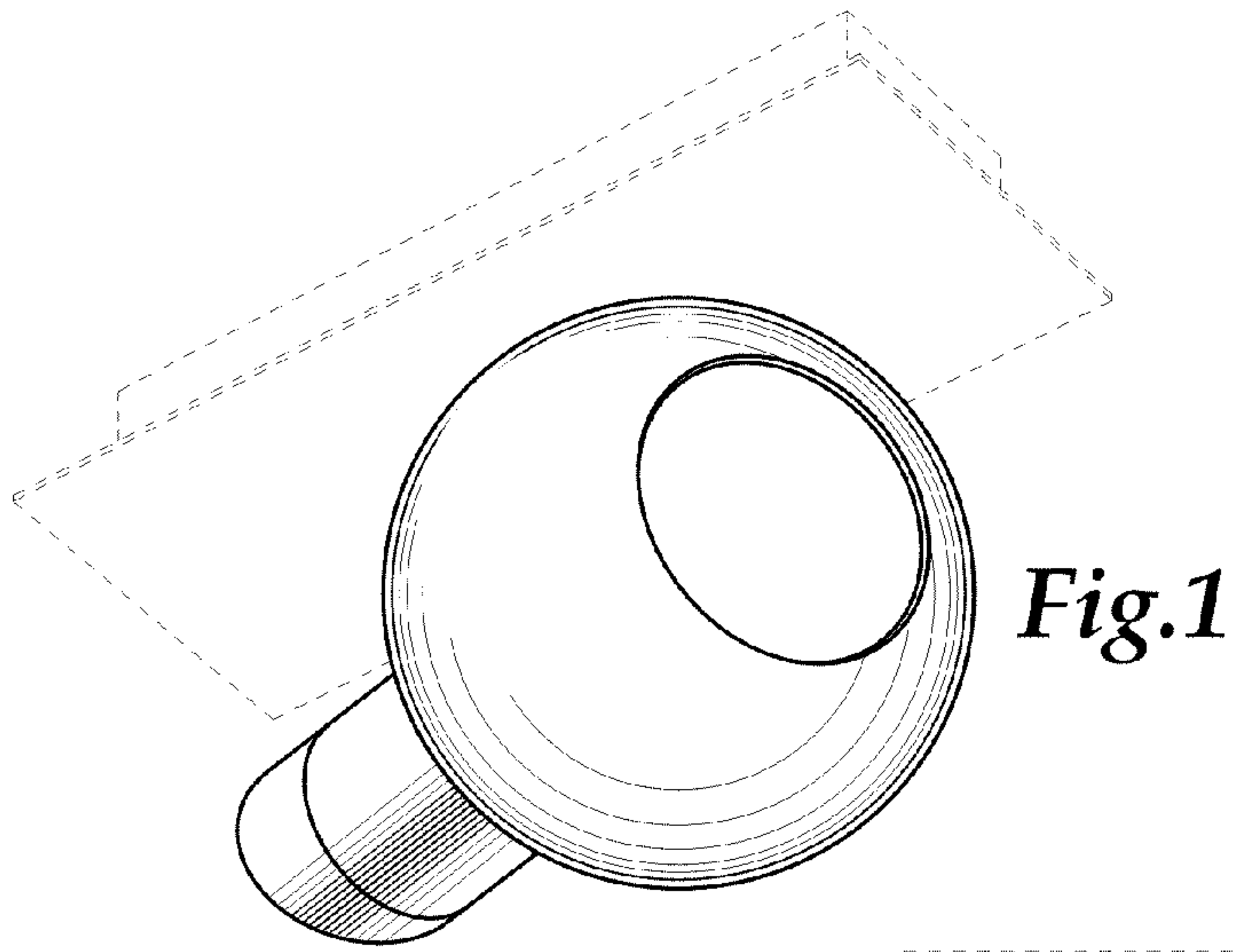
FIG. 6 is a front elevation view of the light fixture in accordance with my design.

The portions of the light fixture shown broken away in FIGS. 2, 3, 5, and 6 are to depict non-specified length.

The broken-line disclosure of elements is understood to represent portions of the article in which the design is embodied, but which form no part of the claimed design.

1 Claim, 2 Drawing Sheets





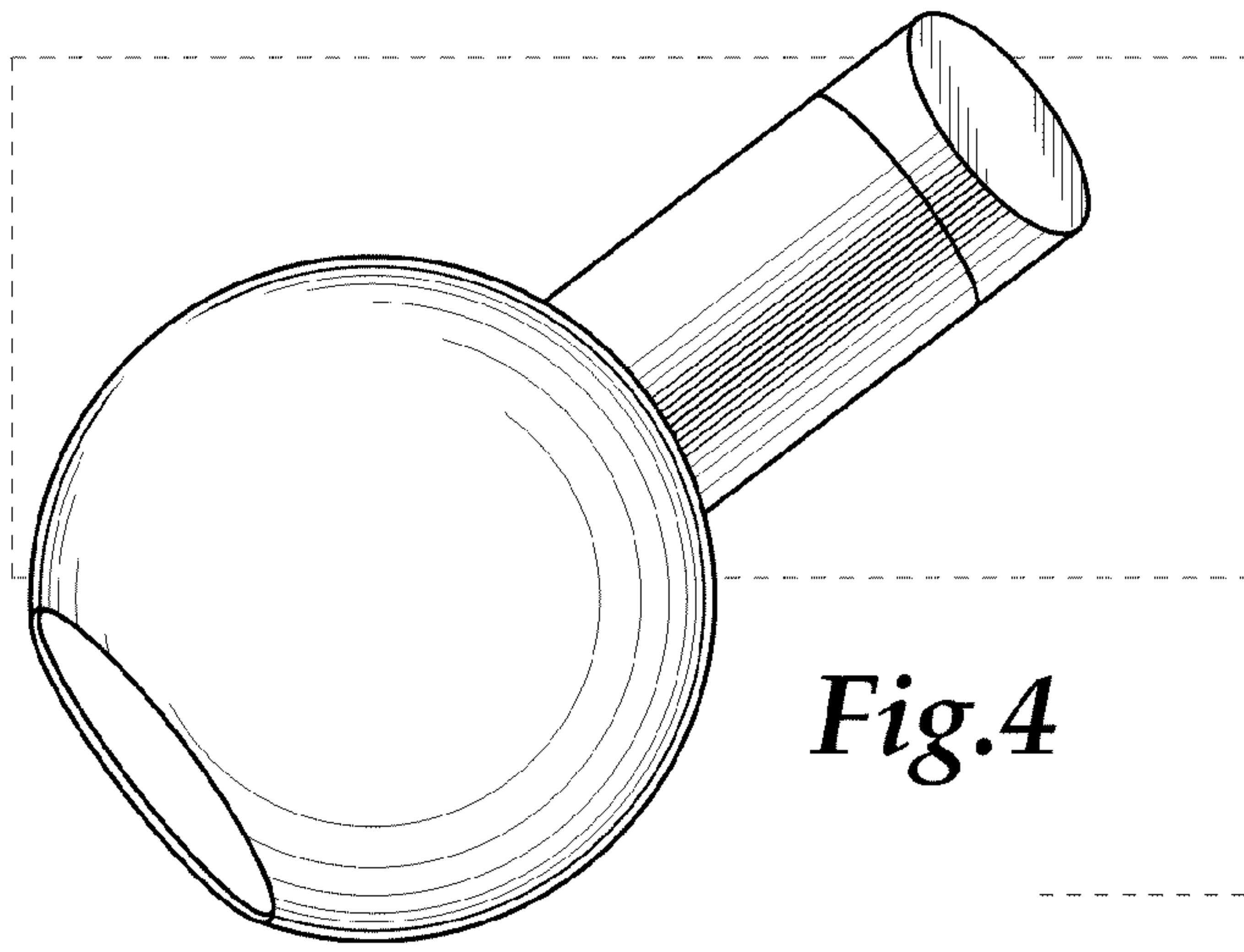


Fig.4

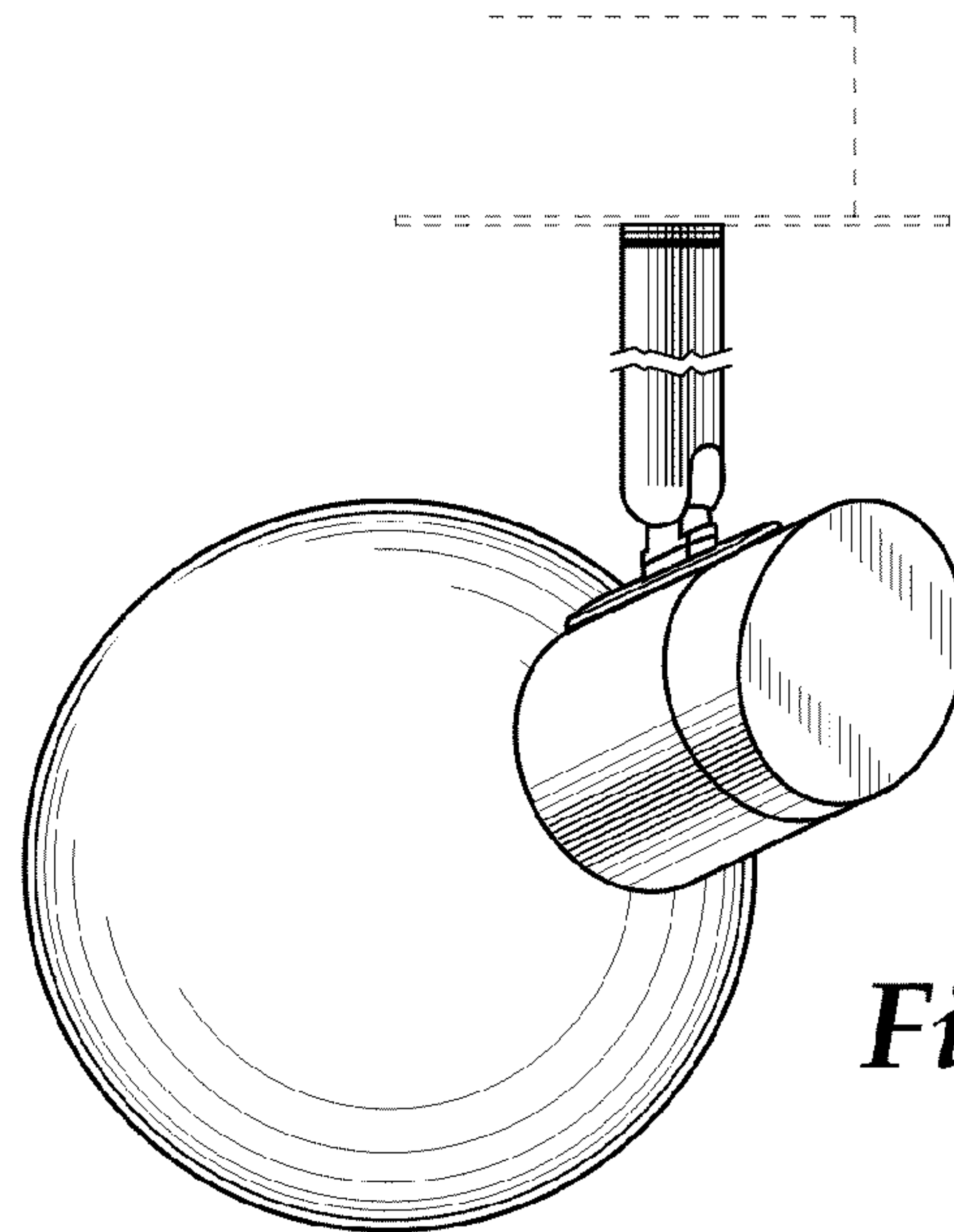


Fig.5

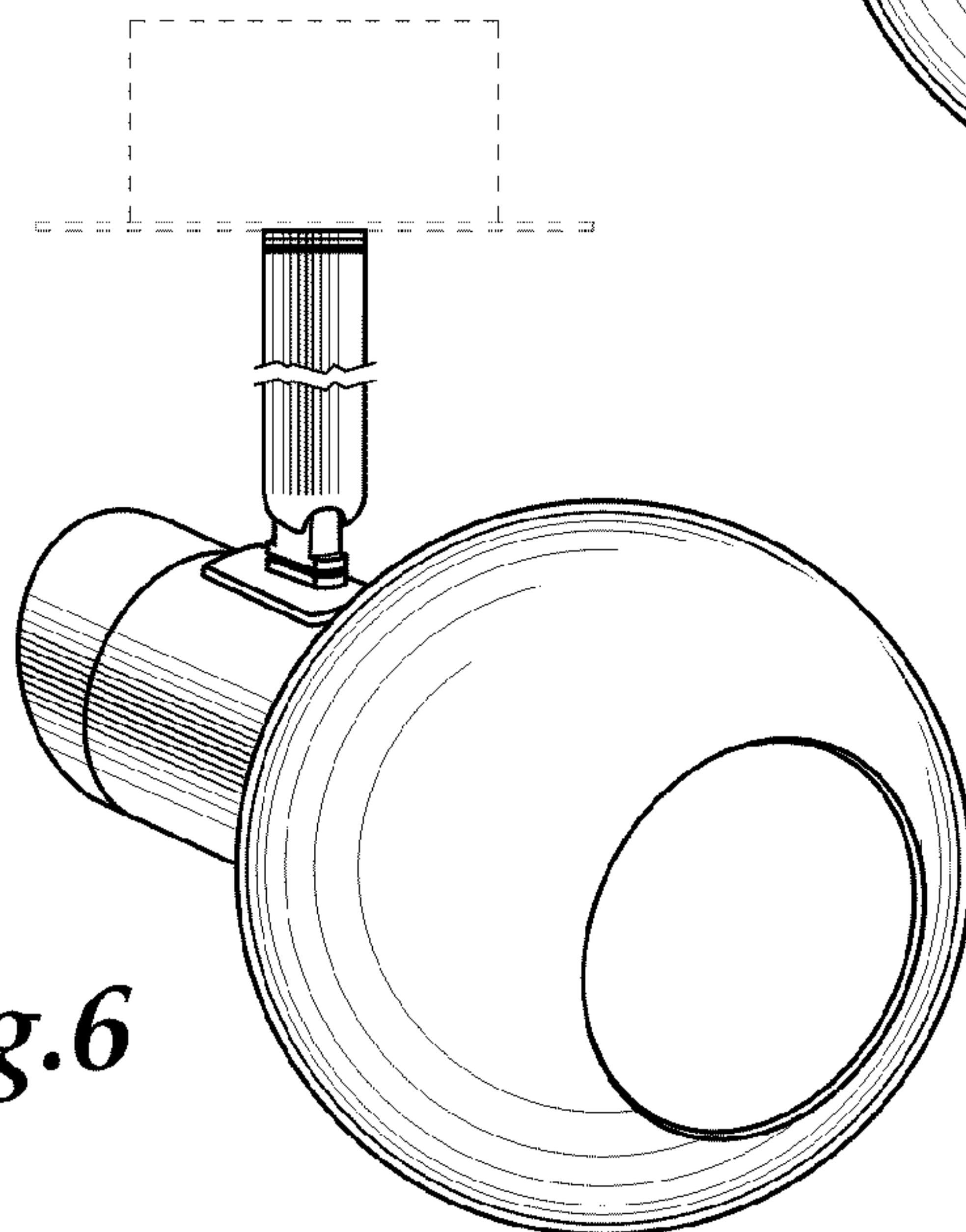


Fig.6