



US00D645185S

(12) **United States Design Patent**
Chen et al.

(10) **Patent No.:** **US D645,185 S**

(45) **Date of Patent:** **** Sep. 13, 2011**

(54) **LED LAMP**

(75) Inventors: **Jen-Feng Chen**, Taichung (TW);
Wen-Ming Wu, Taipei (TW); **Shu-Fen Ke**, Taipei (TW)

(73) Assignee: **Qisda Corporation**, Taoyuan County (TW)

(**) Term: **14 Years**

(21) Appl. No.: **29/381,056**

(22) Filed: **Dec. 15, 2010**

(30) **Foreign Application Priority Data**

Jun. 15, 2010 (TW) 99302989

(51) **LOC (9) Cl.** **26-05**

(52) **U.S. Cl.** **D26/63**

(58) **Field of Classification Search** D26/60-66,
D26/94, 106-109, 97, 93; 362/800, 269,
362/270, 274, 277, 280, 282, 285, 287, 288,
362/806, 410, 413, 414, 249.02-249.03,
362/249.06-249.08, 319, 311.13, 220, 217.02,
362/249.09, 249.16, 311.02, 296.05, 281,
362/333

See application file for complete search history.

(56) **References Cited**

U.S. PATENT DOCUMENTS

D56,448 S * 10/1920 Lohr D26/97
D107,519 S * 12/1937 Holstein D26/125

D110,196 S * 6/1938 Schober D26/97
D337,390 S * 7/1993 Lin D26/97
D401,003 S * 11/1998 Cheung D26/97

* cited by examiner

Primary Examiner — Susan M Lee

Assistant Examiner — Linda G. Brooks

(57) **CLAIM**

The ornamental design for a LED lamp, as shown and described.

DESCRIPTION

FIG. 1 is a front, top and left side perspective view of a LED lamp showing our new design;

FIG. 2 is a front elevational view thereof;

FIG. 3 is a left side elevational view thereof;

FIG. 4 is a right side elevational view thereof;

FIG. 5 is a top plan view thereof;

FIG. 6 is a bottom plan view thereof;

FIG. 7 is a rear elevational view thereof.

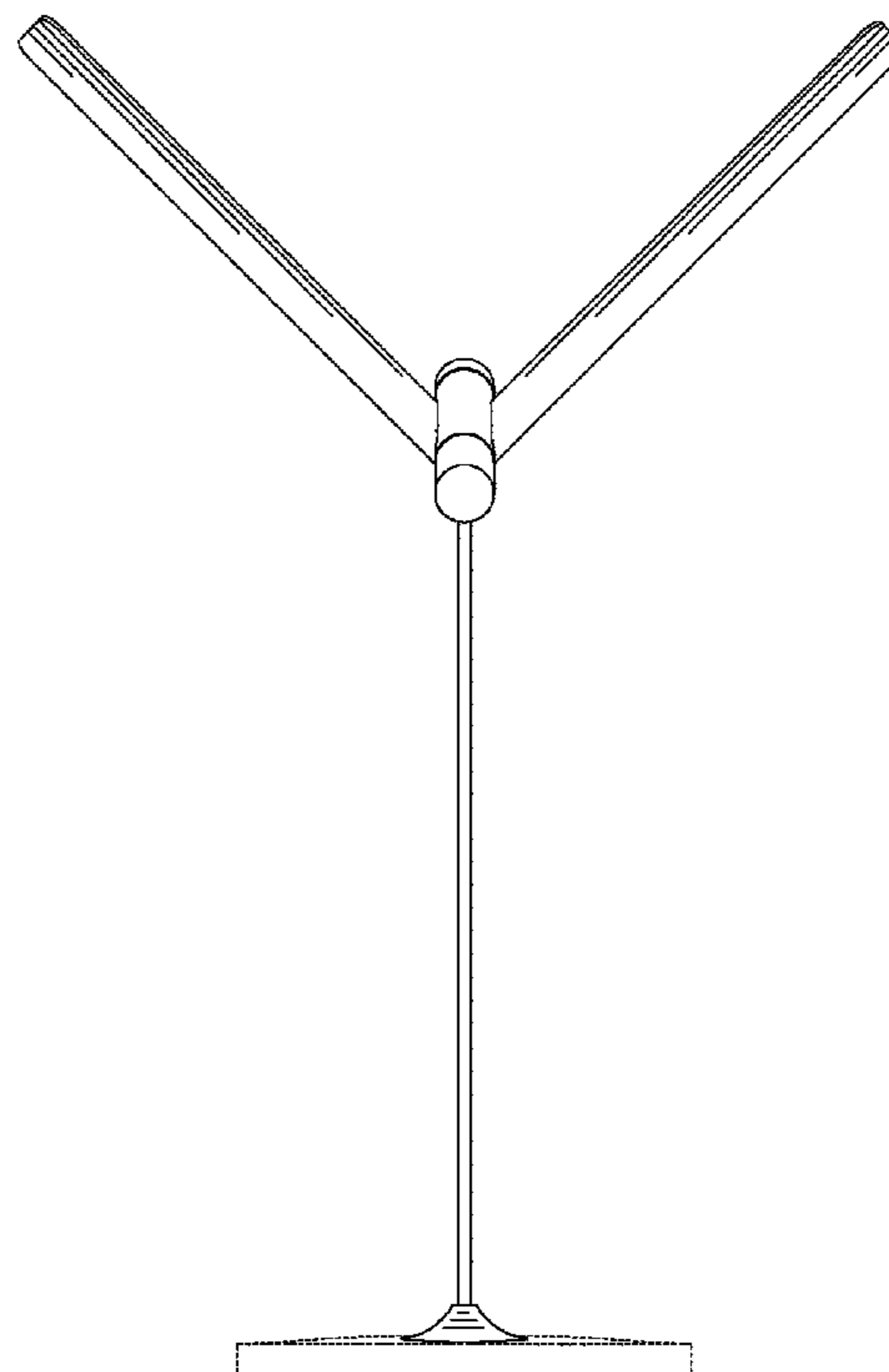
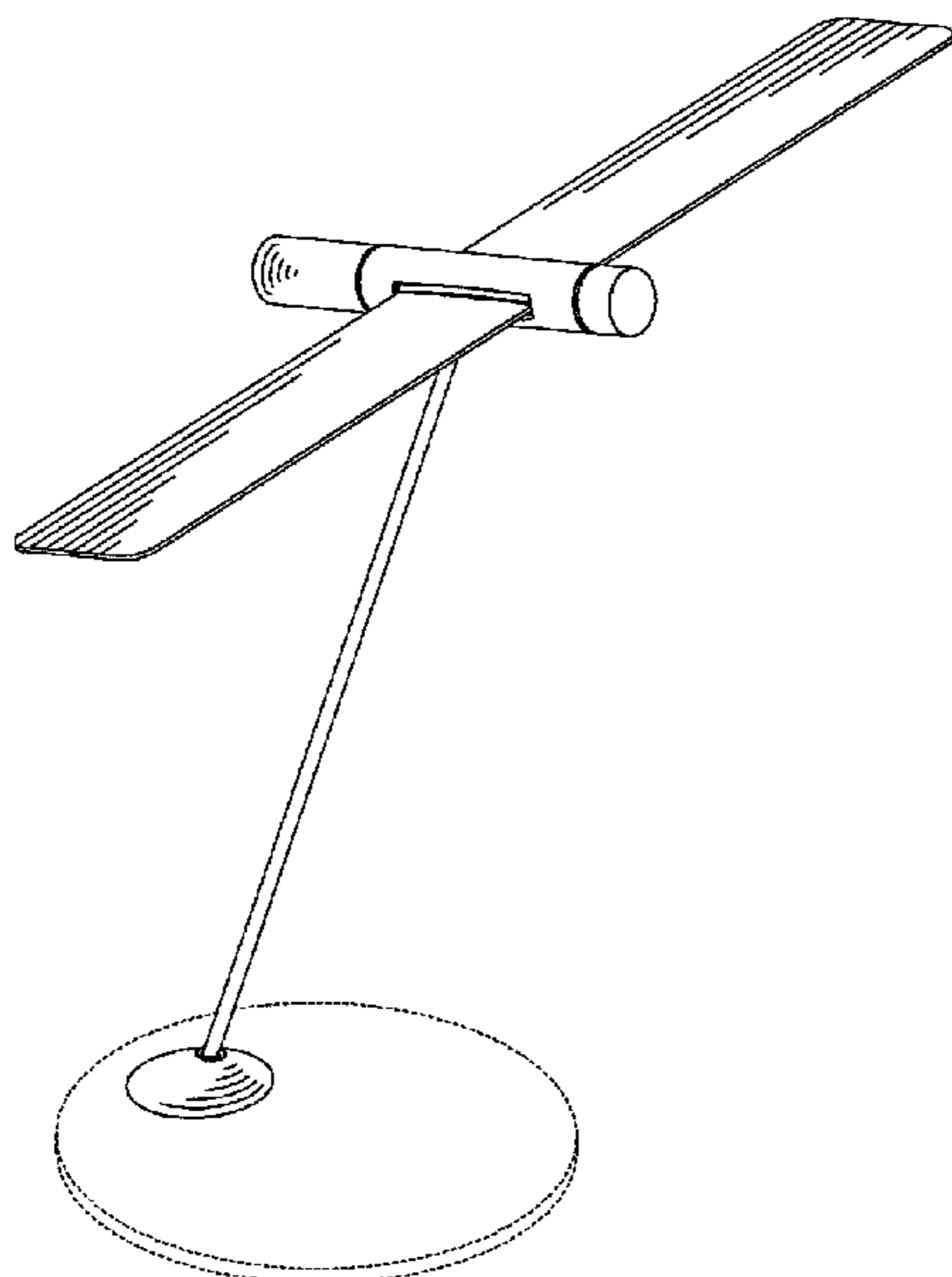
FIG. 8 is a front, bottom and right side perspective view thereof;

FIG. 9 is a front elevational view thereof with two wings lifted; and,

FIG. 10 is a front elevational view thereof with two wings lowered.

The broken lines showing environmental structure are for illustrative purposes only, and form no part of the claimed design.

1 Claim, 10 Drawing Sheets



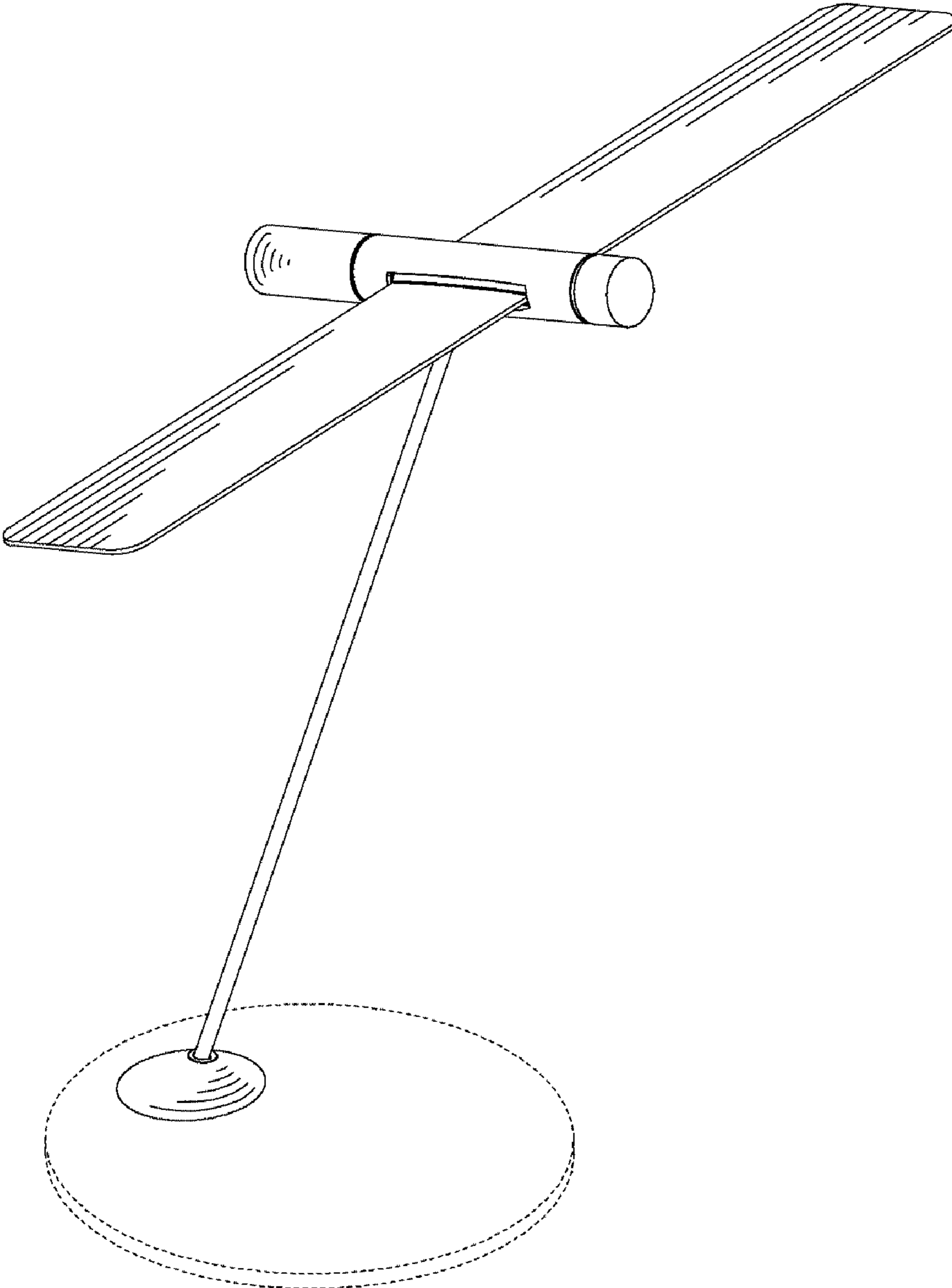


FIG. 1

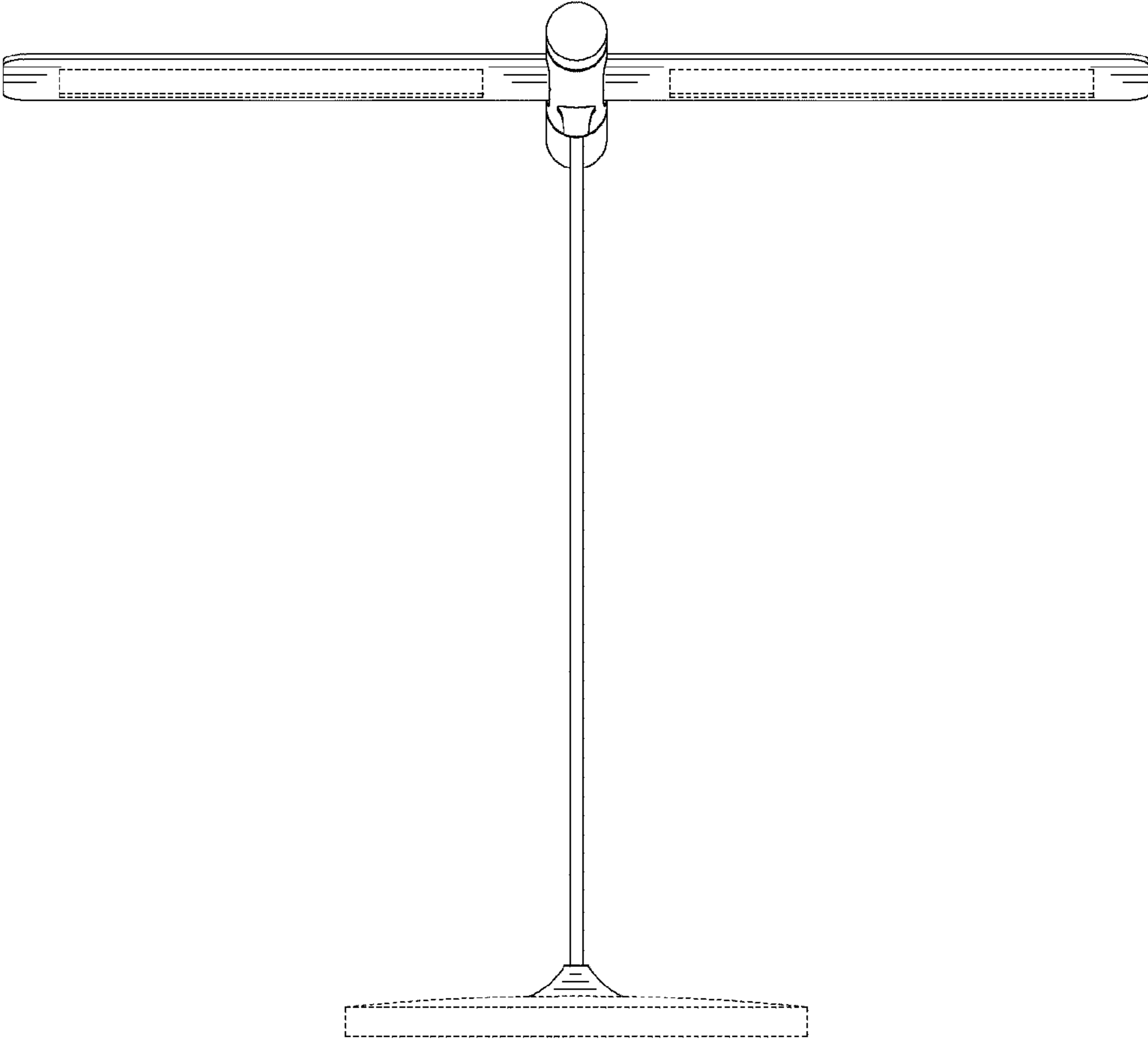


FIG. 2

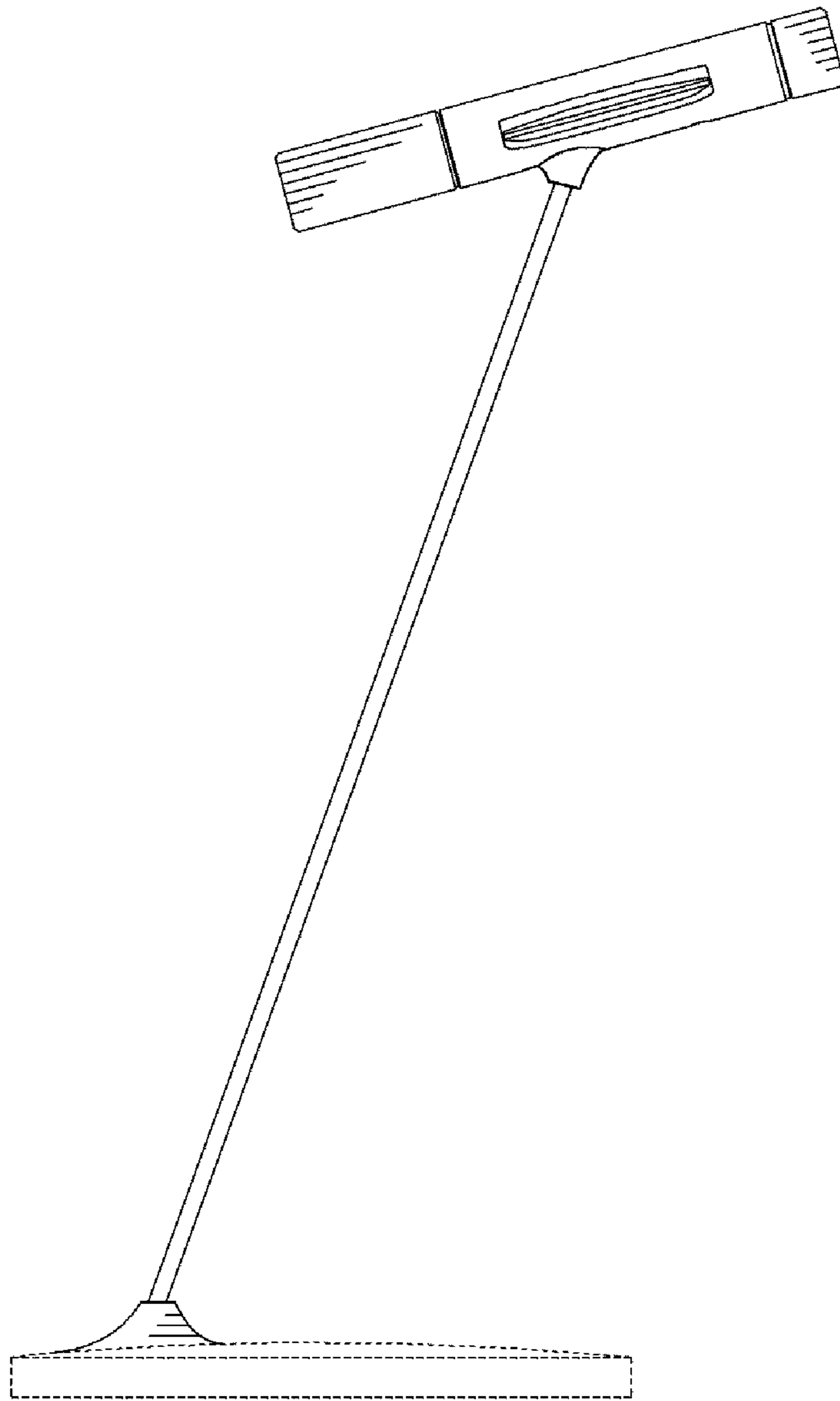


FIG. 3

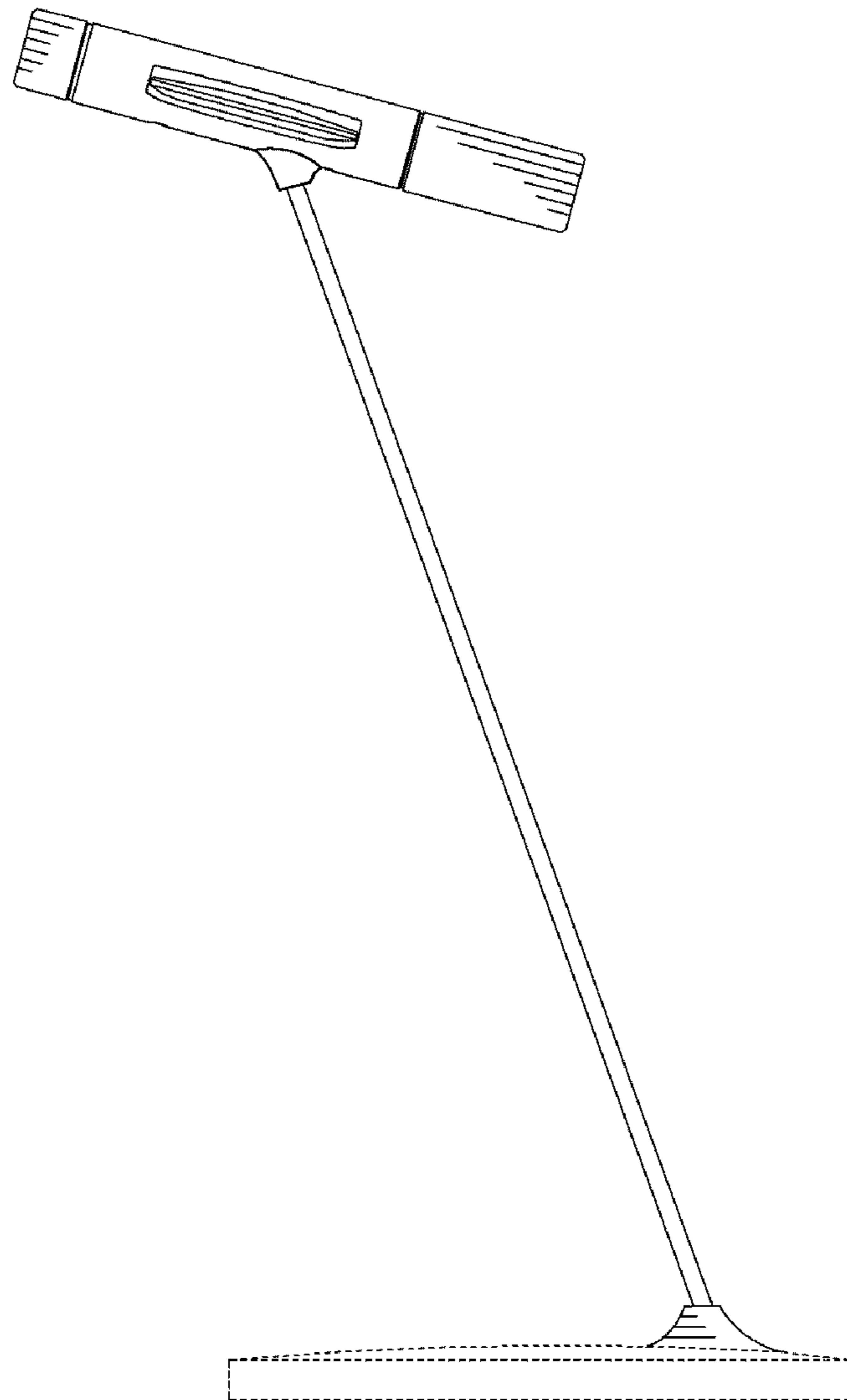


FIG. 4

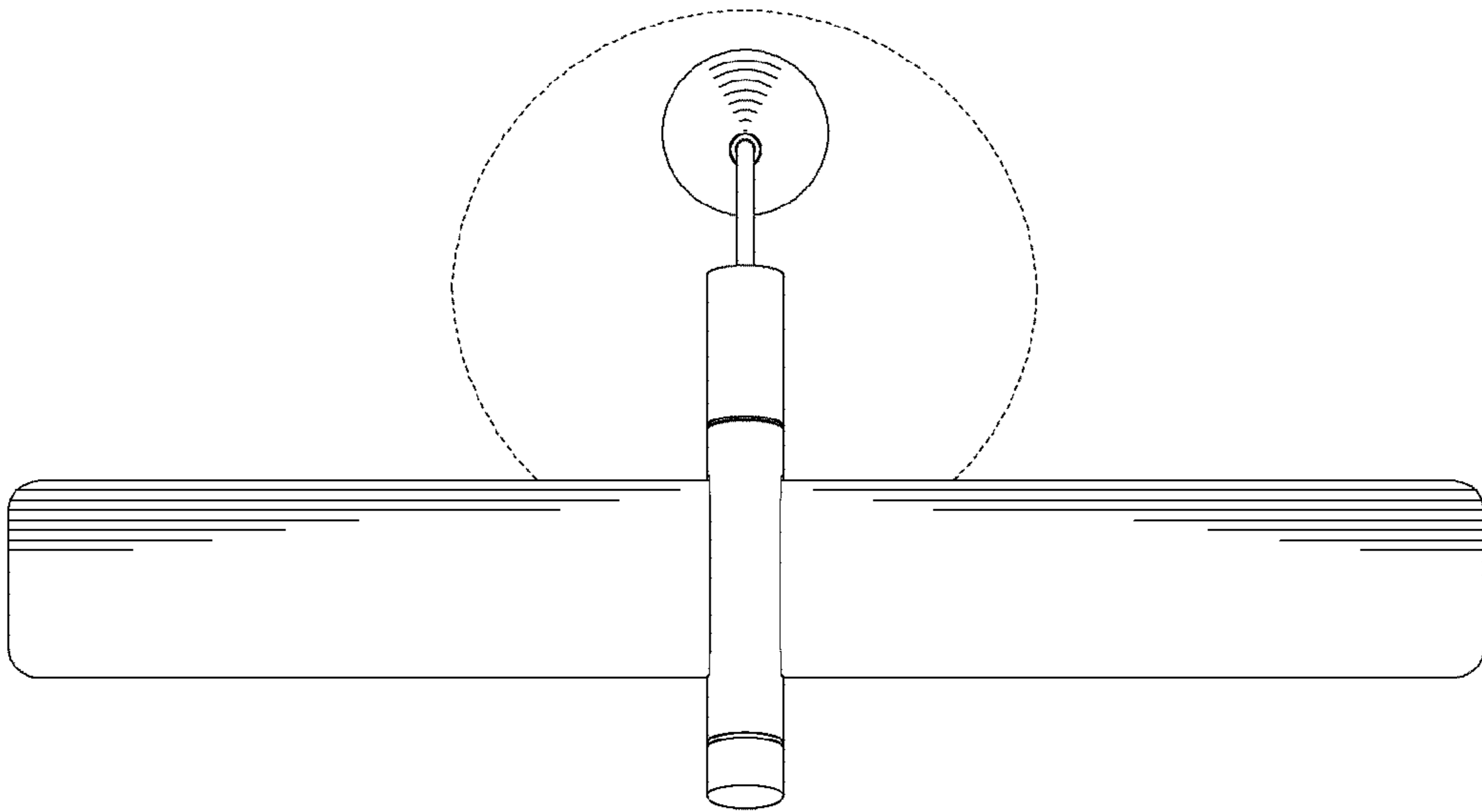


FIG. 5

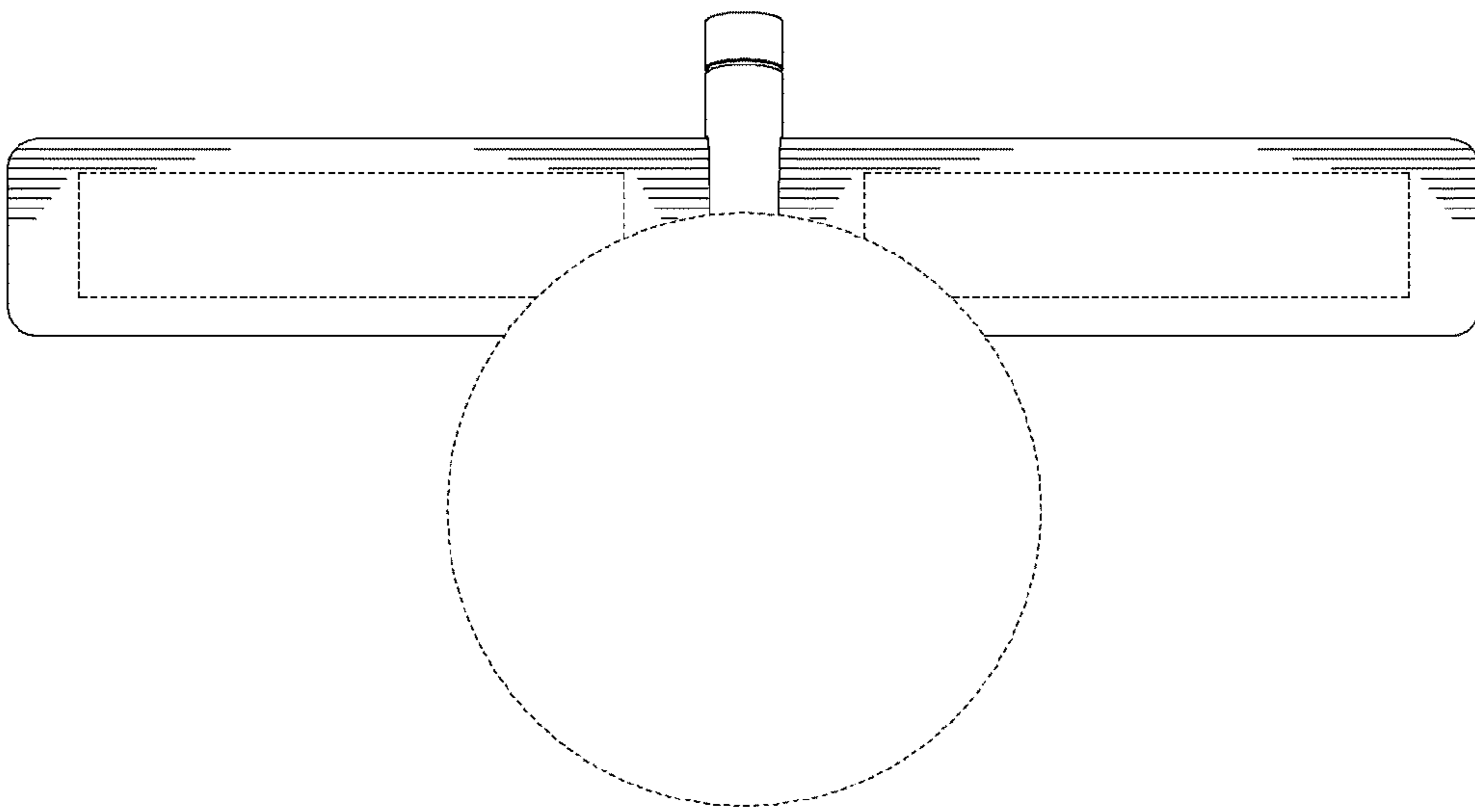


FIG. 6

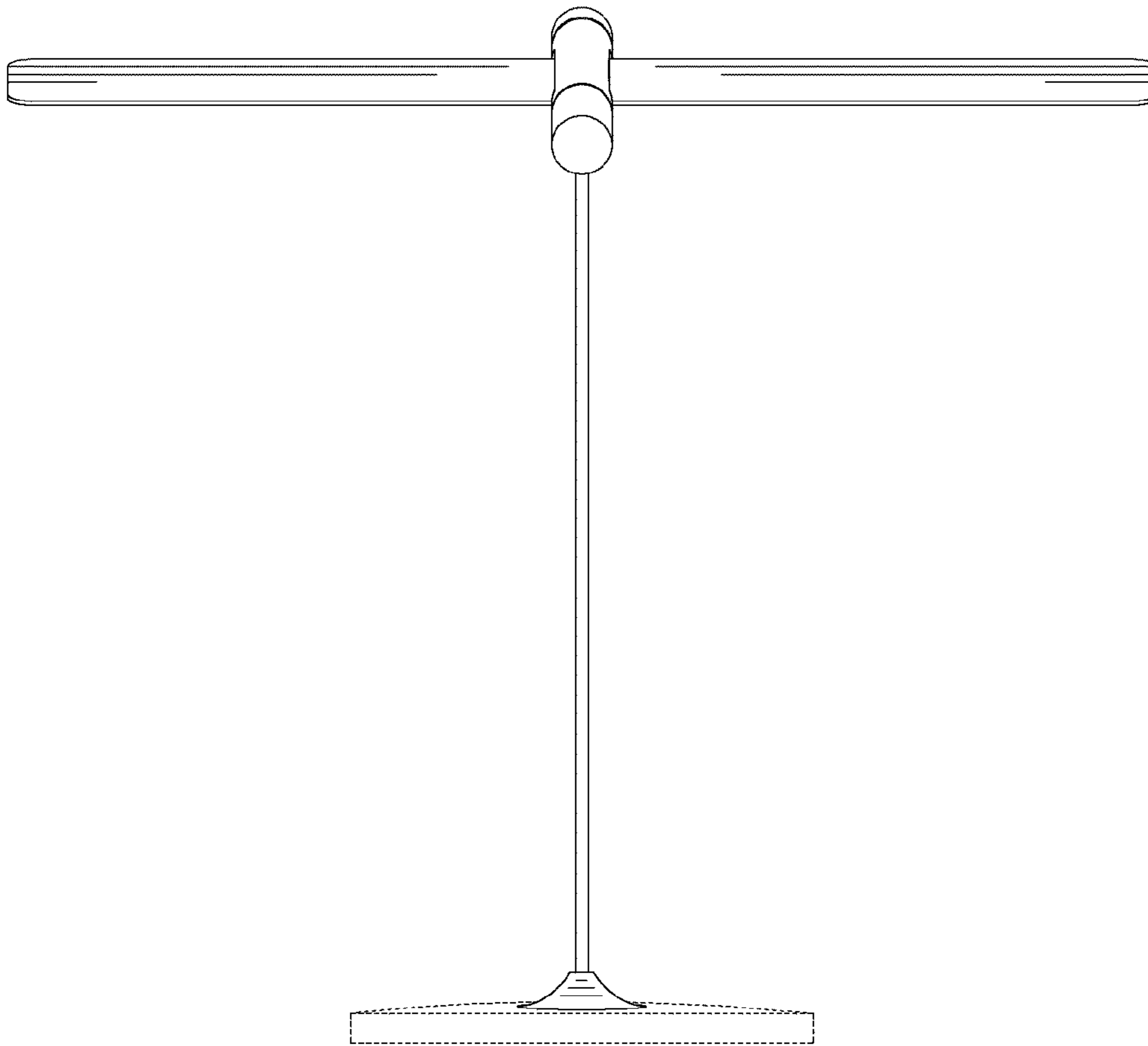


FIG. 7

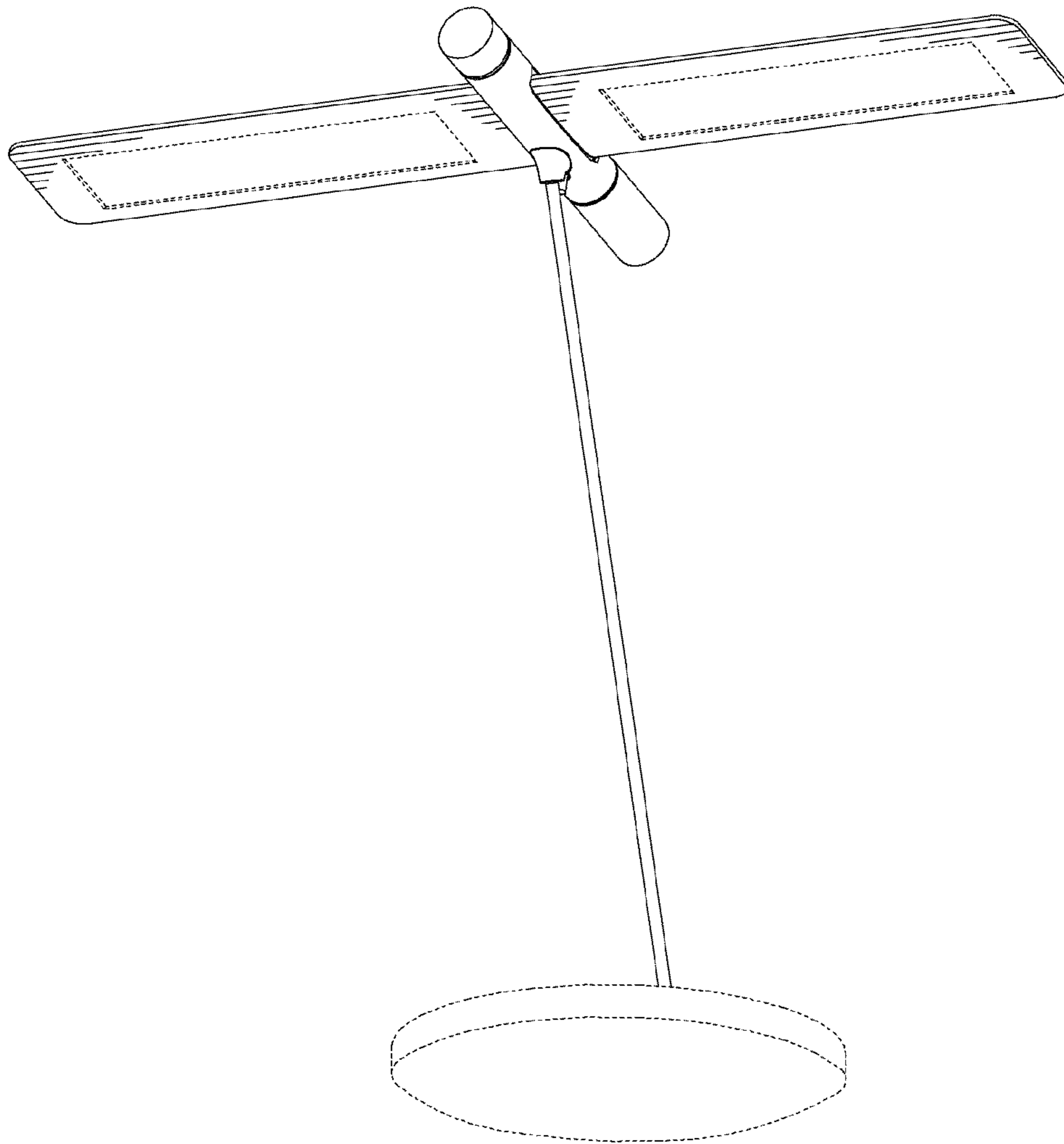


FIG. 8

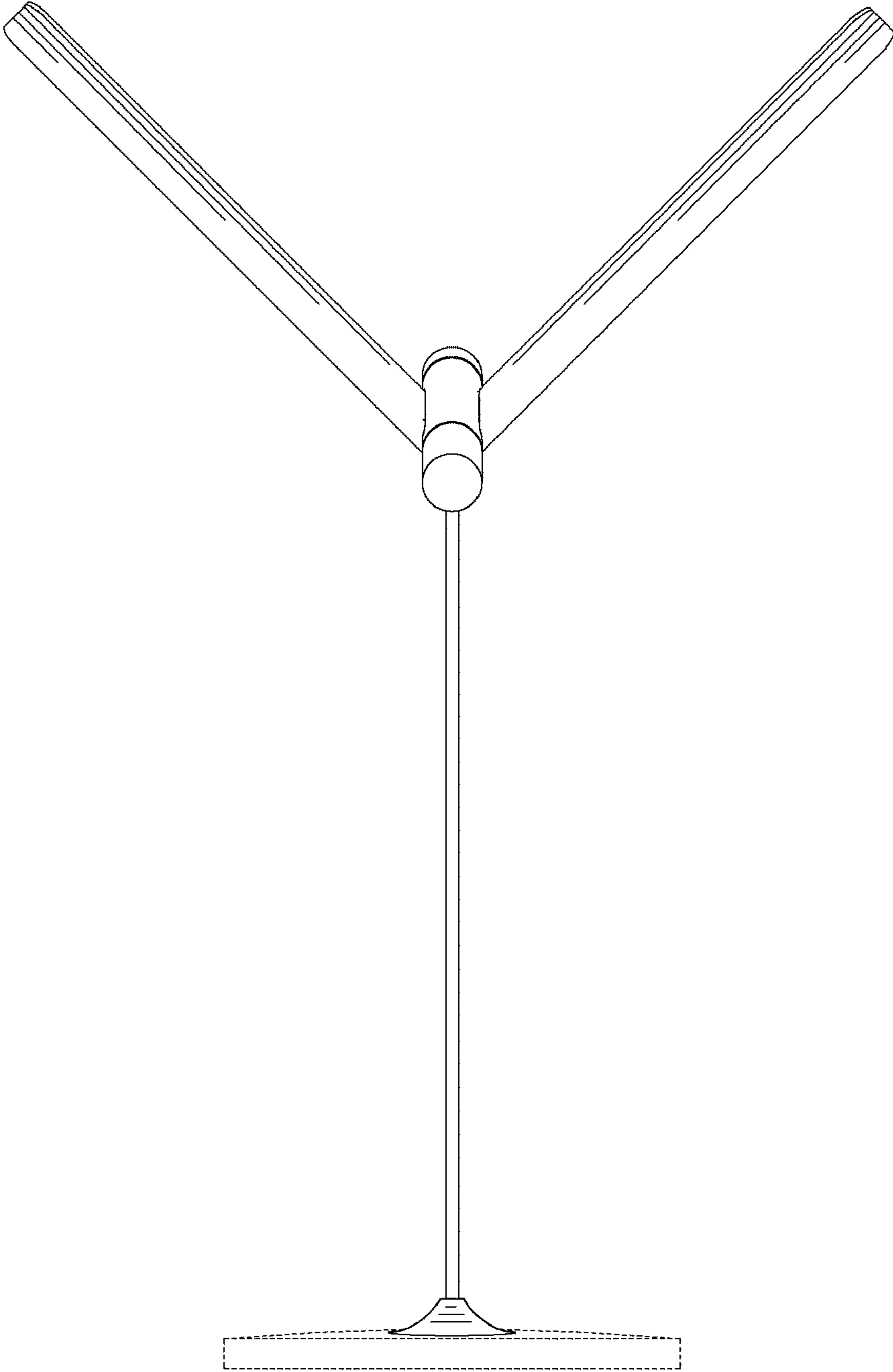


FIG. 9

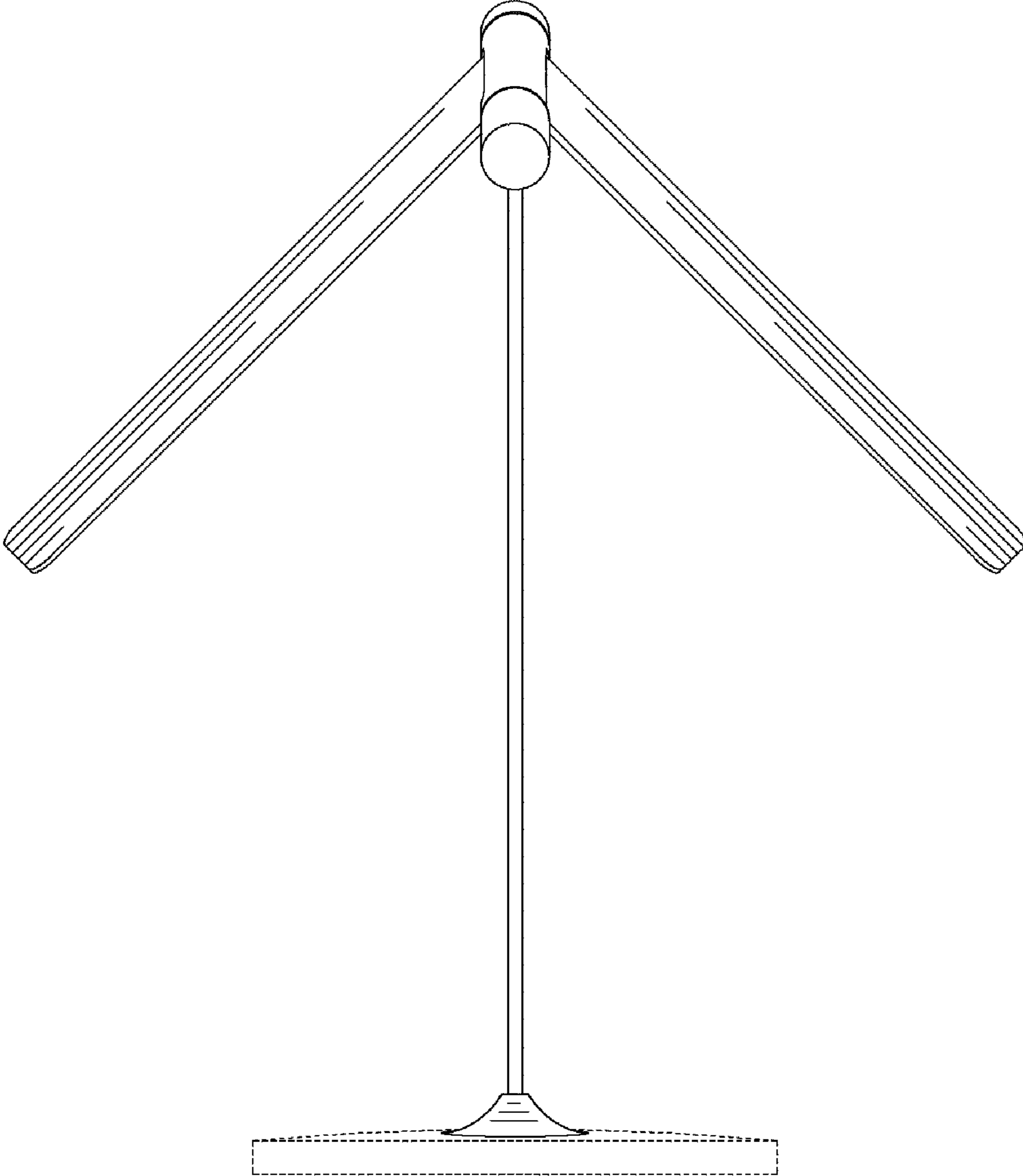


FIG. 10