



US00D645184S

(12) **United States Design Patent**
Zhan

(10) **Patent No.:** **US D645,184 S**

(45) **Date of Patent:** **** Sep. 13, 2011**

(54) **LED SPOT LIGHT FOR CAMERA**

(76) Inventor: **Xiao-Ming Zhan**, Fujian (CN)

(**) Term: **14 Years**

(21) Appl. No.: **29/378,610**

(22) Filed: **Nov. 5, 2010**

(51) **LOC (9) Cl.** **26-05**

(52) **U.S. Cl.** **D26/63**

(58) **Field of Classification Search** D26/60-69,
D26/51; D16/237; 362/2, 11, 16-18, 211,
362/213, 640, 227, 232, 249.02, 249.03,
362/249.06, 249.07, 249.1, 268-273, 235,
362/236, 240, 277, 282, 284, 285, 287, 289,
362/311.02, 322, 362, 371, 372, 418, 427,
362/449, 800

See application file for complete search history.

(56) **References Cited**

U.S. PATENT DOCUMENTS

D211,388	S	*	6/1968	Harrison	D26/63
3,643,079	A	*	2/1972	Glickman	362/249.09
4,194,234	A	*	3/1980	Geissler	362/17
D272,656	S	*	2/1984	Parker	D26/65
6,024,461	A	*	2/2000	Norman	362/3
D486,259	S	*	2/2004	Crawford et al.	D26/51

D502,488	S	*	3/2005	Miyashita	D16/240
D539,943	S	*	4/2007	Egawa et al.	D26/24
D539,944	S	*	4/2007	Egawa et al.	D26/24
2010/0014274	A1	*	1/2010	Shyu et al.	362/11

OTHER PUBLICATIONS

Camera Lights on pp. 4, 5, 7, and 8 of 11. © 2008. [Retrieved on May 2, 2011]. Retrieved from the Internet <URL: <http://www.evsonline.com/sales/video/on-camera-lighting/on-camera-lights/>>.*

* cited by examiner

Primary Examiner — Susan M Lee

Assistant Examiner — Linda Brooks

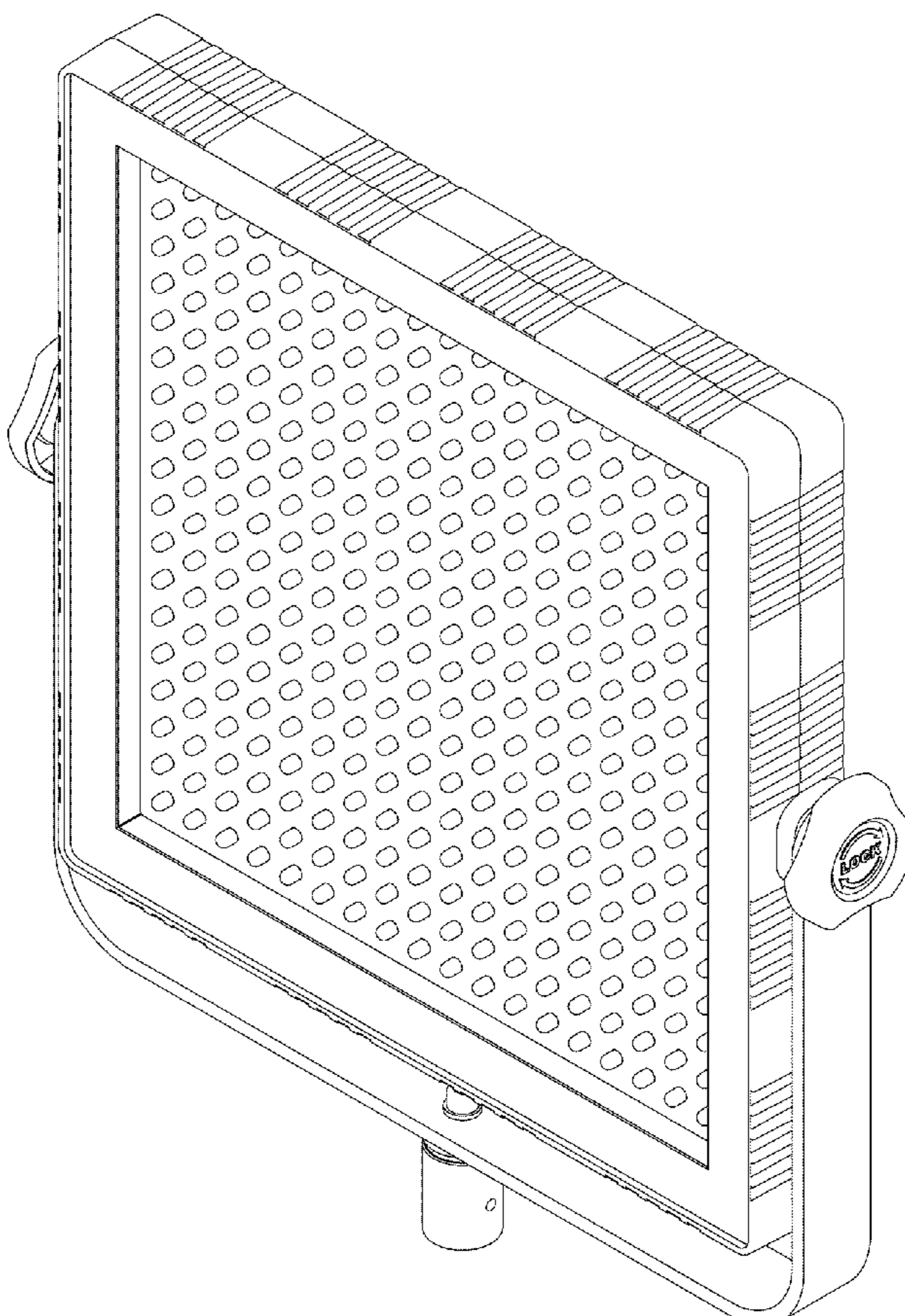
(57) **CLAIM**

The ornamental design for a LED spot light for camera, as shown and described.

DESCRIPTION

FIG. 1 is a perspective view of a LED spot light for camera showing my present design, FIG. 2 is a front view thereof; FIG. 3 is a rear view thereof; FIG. 4 is a left view thereof; FIG. 5 is a right view thereof; FIG. 6 is a top view thereof; and, FIG. 7 is a bottom view.

1 Claim, 7 Drawing Sheets



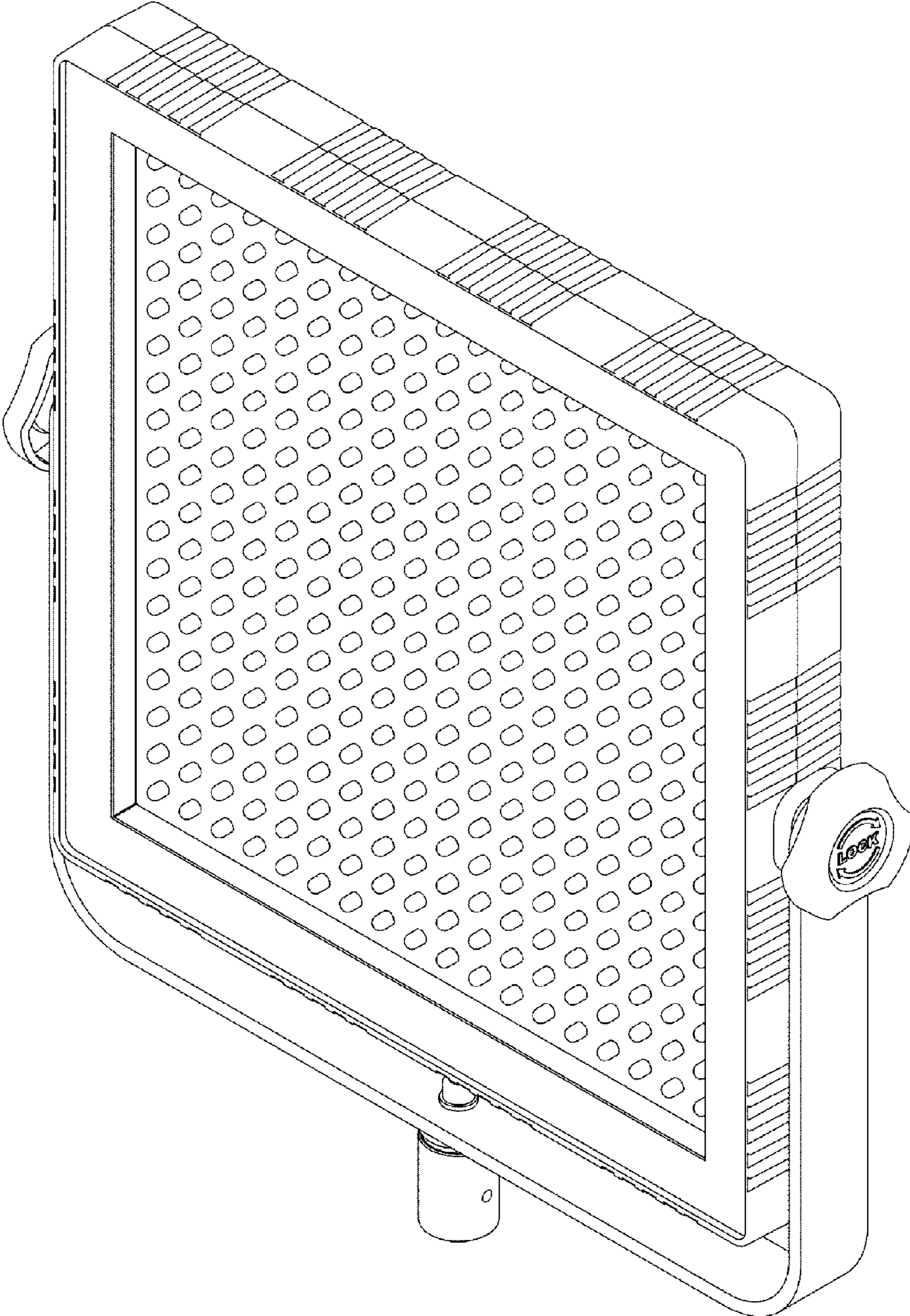


FIG. 1

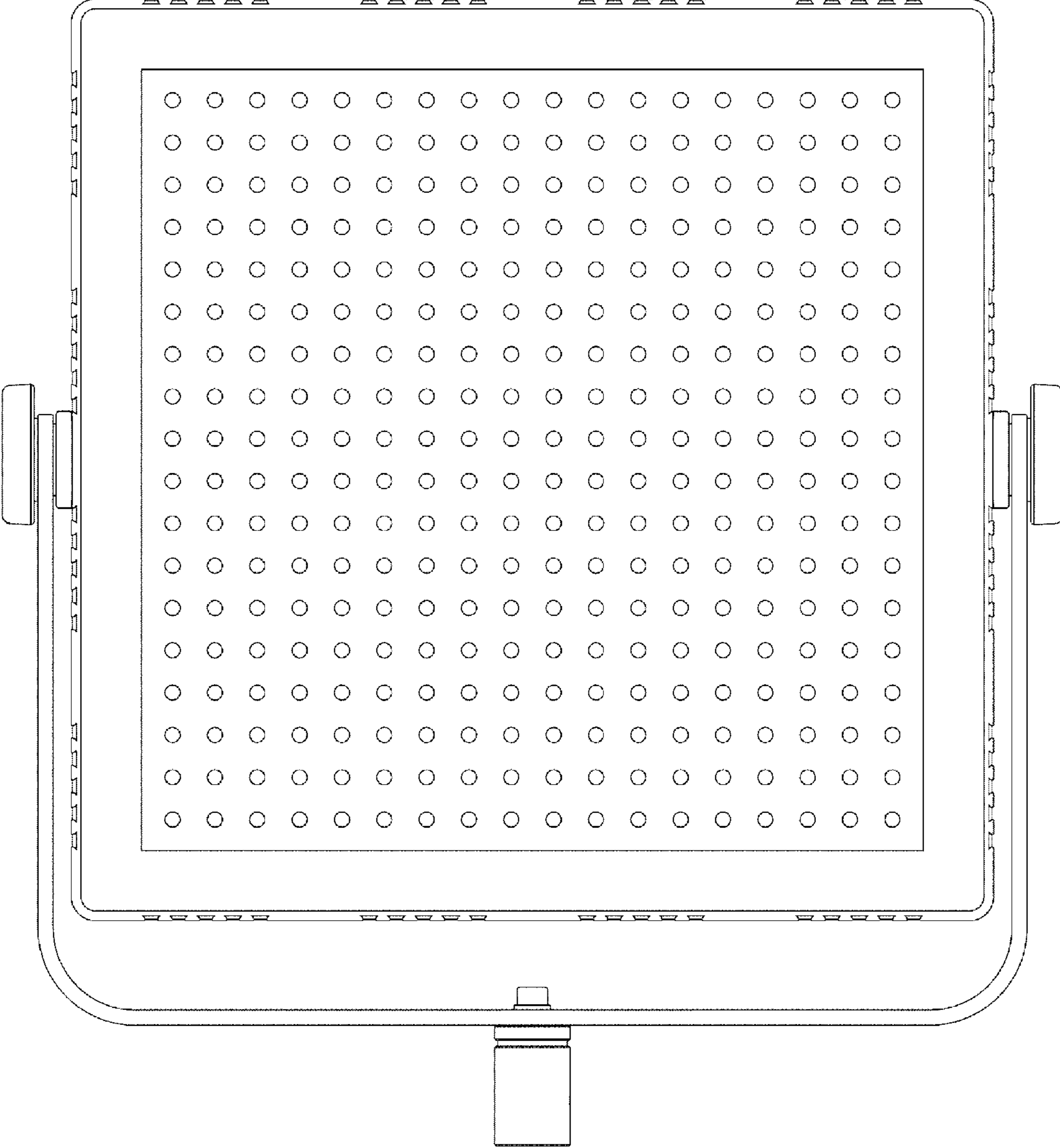


FIG. 2

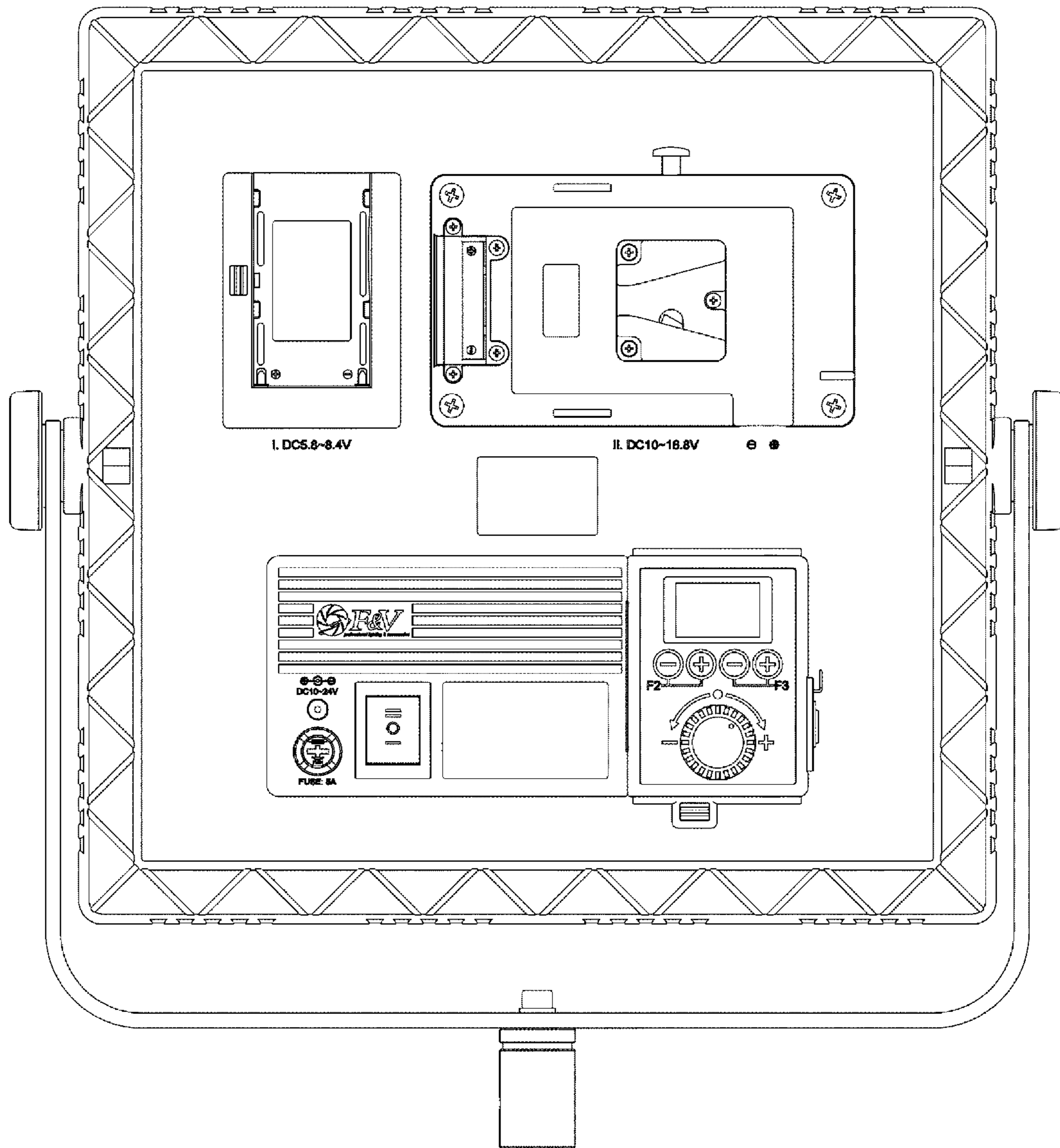


FIG. 3

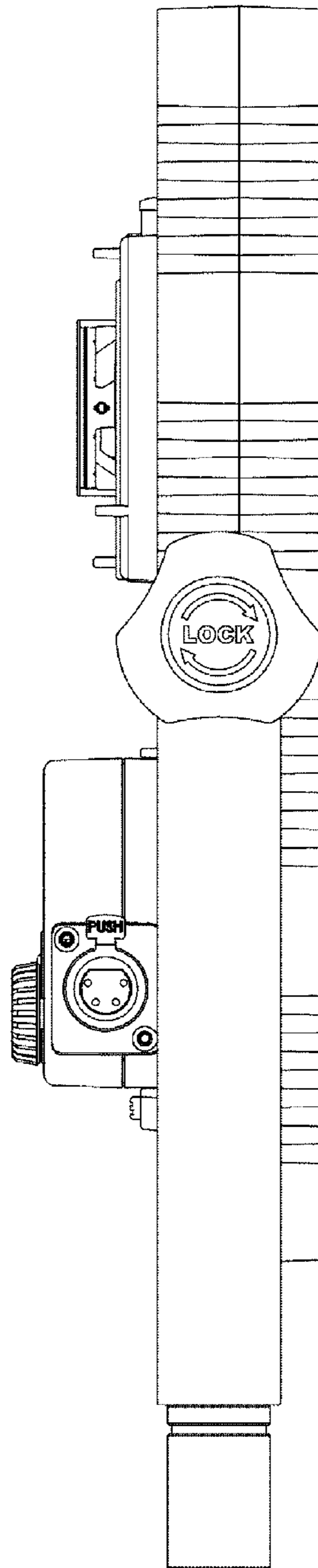


FIG. 4

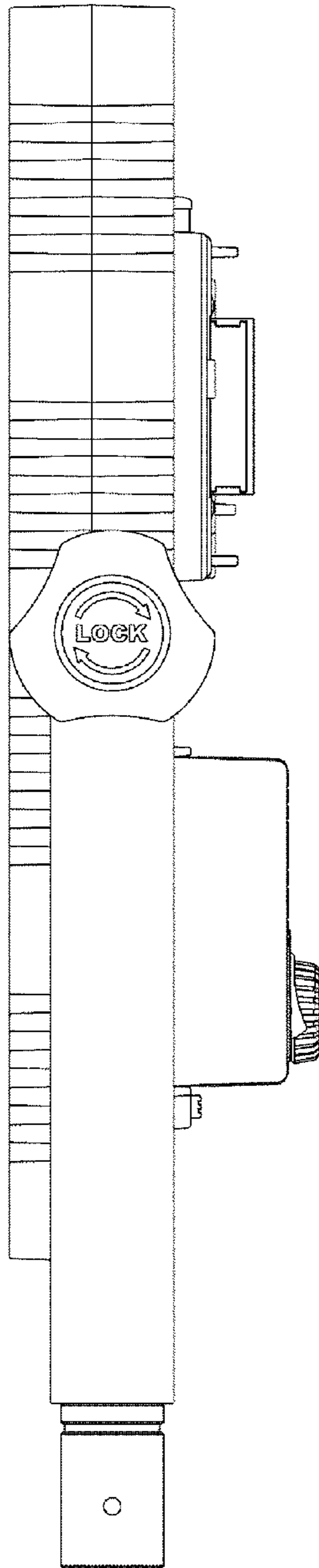


FIG. 5

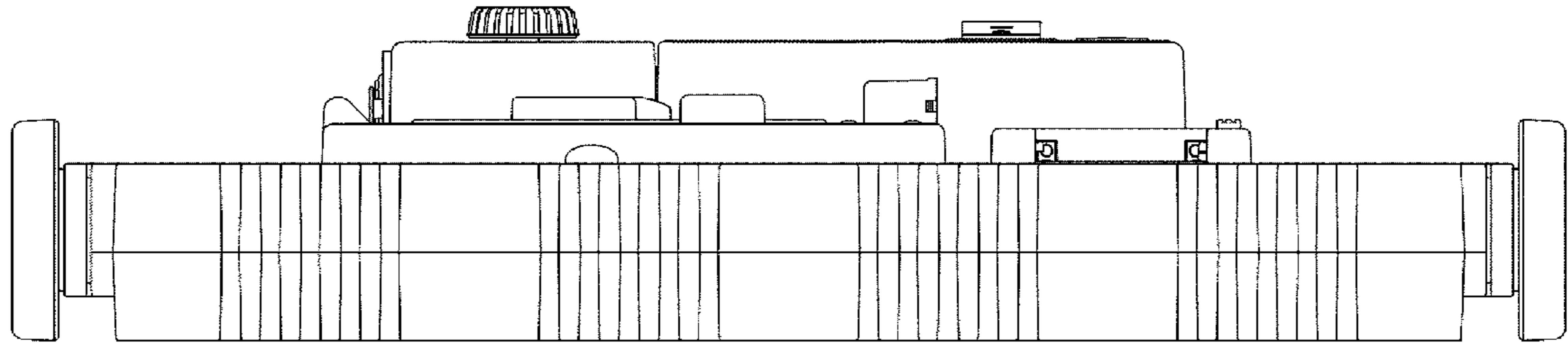


FIG. 6

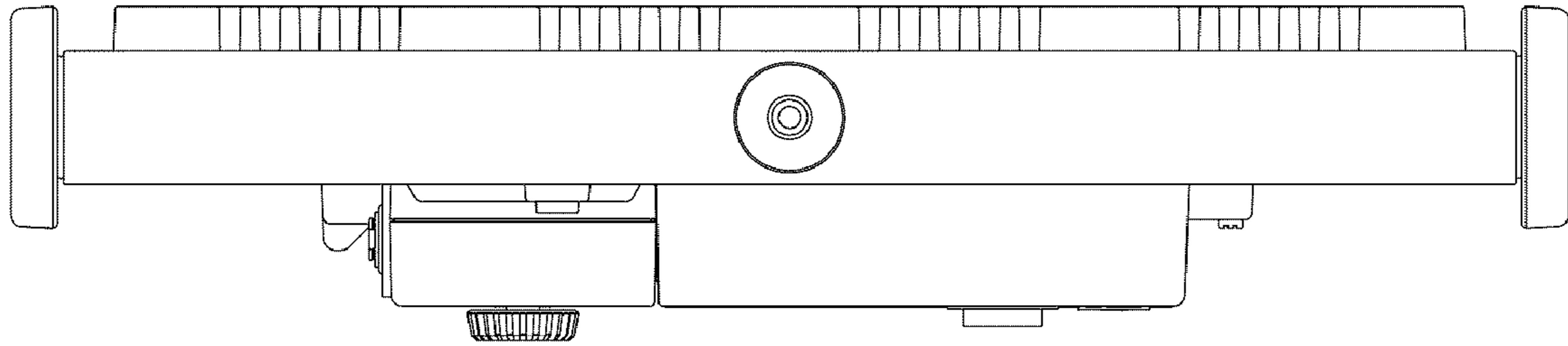


FIG. 7