



US00D645182S

(12) **United States Design Patent**  
**Li**

(10) **Patent No.:** **US D645,182 S**

(45) **Date of Patent:** **\*\* Sep. 13, 2011**

(54) **PAR36 LED LAMP**

(75) **Inventor:** **Fei Li, ShenZhen (CN)**

(73) **Assignee:** **Brilliance LED, LLC, Carefree, AZ (US)**

(\*\*) **Term:** **14 Years**

(21) **Appl. No.:** **29/378,333**

(22) **Filed:** **Nov. 2, 2010**

(51) **LOC (9) Cl.** ..... **26-05**

(52) **U.S. Cl.** ..... **D26/60**

(58) **Field of Classification Search** ..... D26/60-66,  
D26/1-4, 26, 118, 120, 122-124, 368, 373;  
313/313, 315, 317, 318, 493; 315/52, 53,  
315/56, 57, 58; 362/326-340, 267, 289,  
362/294, 310, 311.01, 311.02, 396, 273  
See application file for complete search history.

(56) **References Cited**

**U.S. PATENT DOCUMENTS**

D451,617	S *	12/2001	David et al.	.....	D26/60
6,367,949	B1 *	4/2002	Pederson	.....	362/240
D563,035	S *	2/2008	Schlegel et al.	.....	D26/118
D582,579	S *	12/2008	Tsai et al.	.....	D26/2
7,575,343	B2 *	8/2009	Li et al.	.....	362/304

D613,440	S *	4/2010	Lindholm	.....	D26/63
D618,369	S *	6/2010	Lee et al.	.....	D26/2
D629,557	S *	12/2010	Tseng et al.	.....	D26/118
D629,930	S *	12/2010	Cotter et al.	.....	D26/2

\* cited by examiner

*Primary Examiner* — Susan M Lee

*Assistant Examiner* — Linda G. Brooks

(74) *Attorney, Agent, or Firm* — James Michael Smedley, Esq.

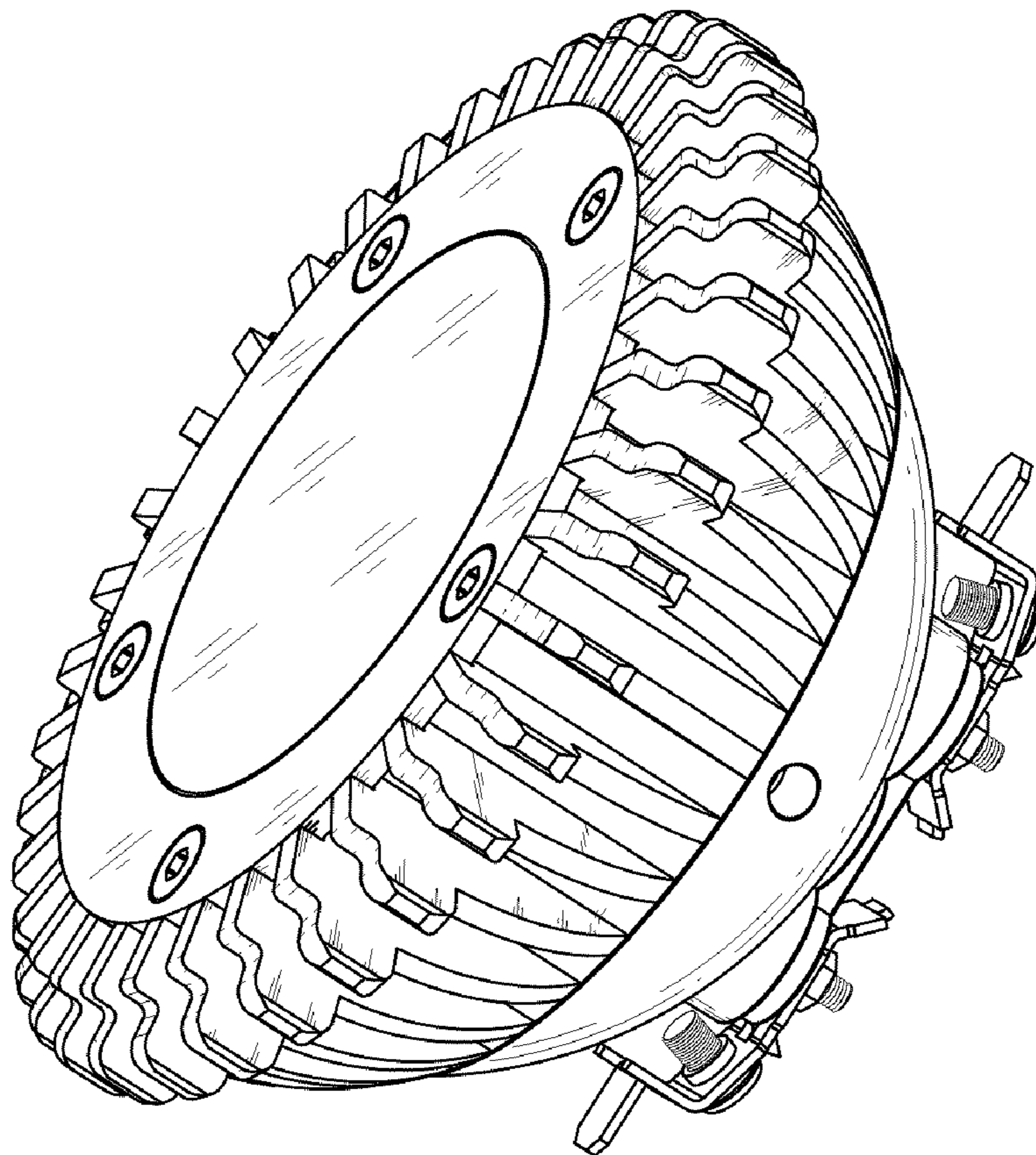
(57) **CLAIM**

I claim the ornamental design for a PAR36 LED lamp, as shown and described.

**DESCRIPTION**

FIG. 1 is a perspective view showing the new design.  
FIG. 2 is a rear perspective view showing the new design.  
FIG. 3 is a side view showing the new design.  
FIG. 4 is a side view showing the new design.  
FIG. 5 is a side view showing the new design.  
FIG. 6 is a side view showing the new design.  
FIG. 7 is a bottom view showing the new design; and,  
FIG. 8 is a top view showing the new design.  
The shading lines shown in the drawings represent the three-dimensional contours of the design, and are not intended to indicate surface decoration.

**1 Claim, 4 Drawing Sheets**



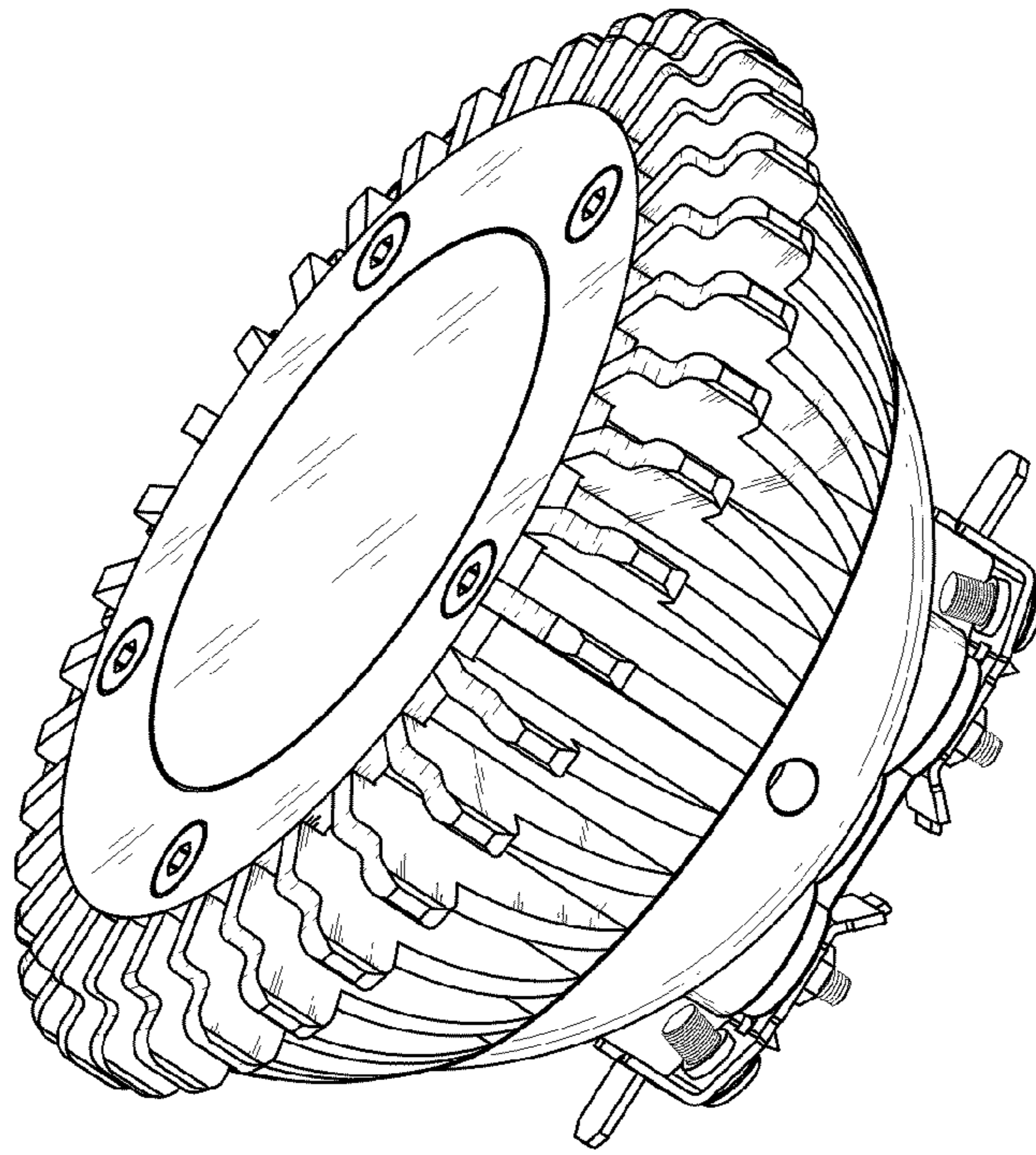


FIG. 1

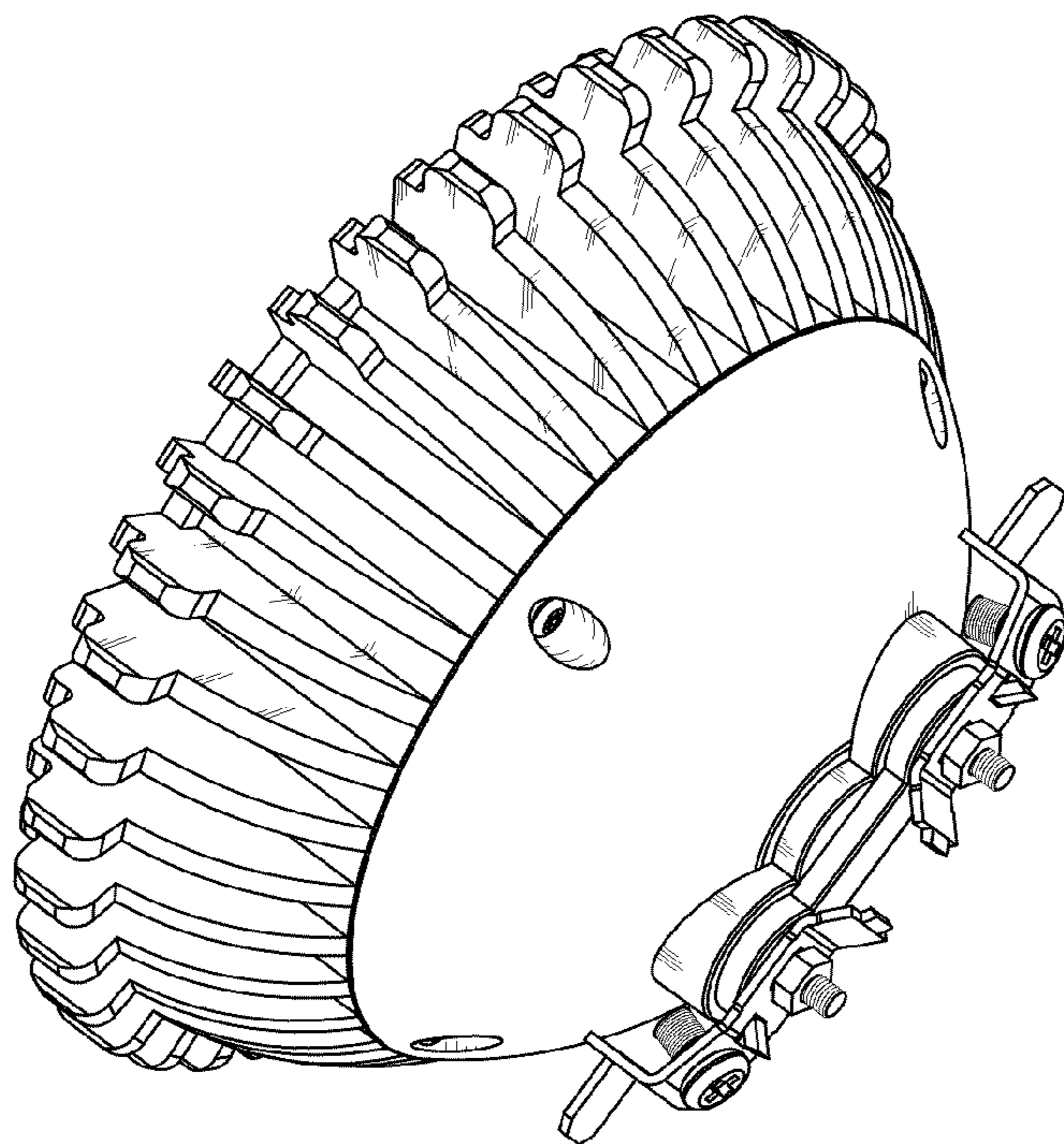
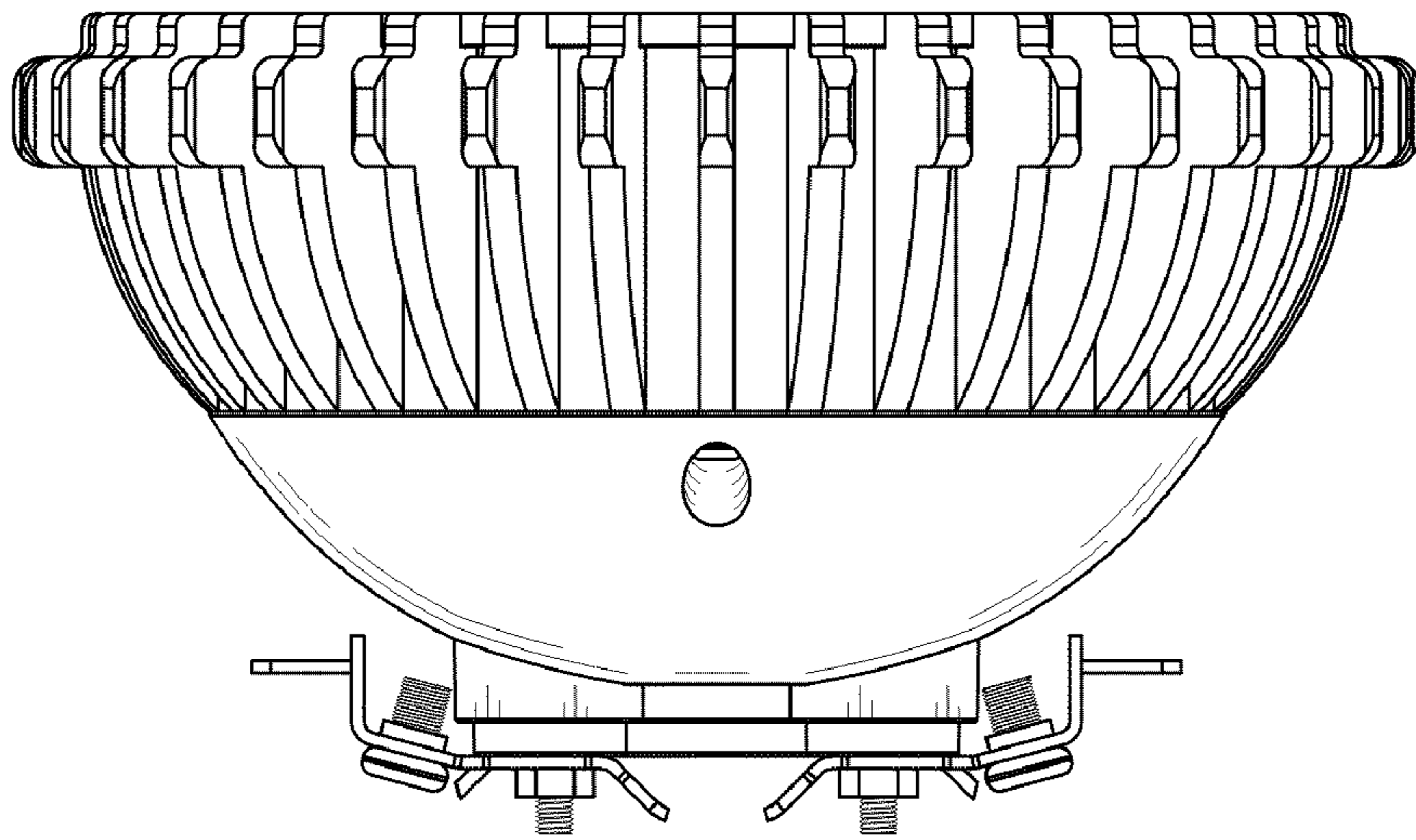
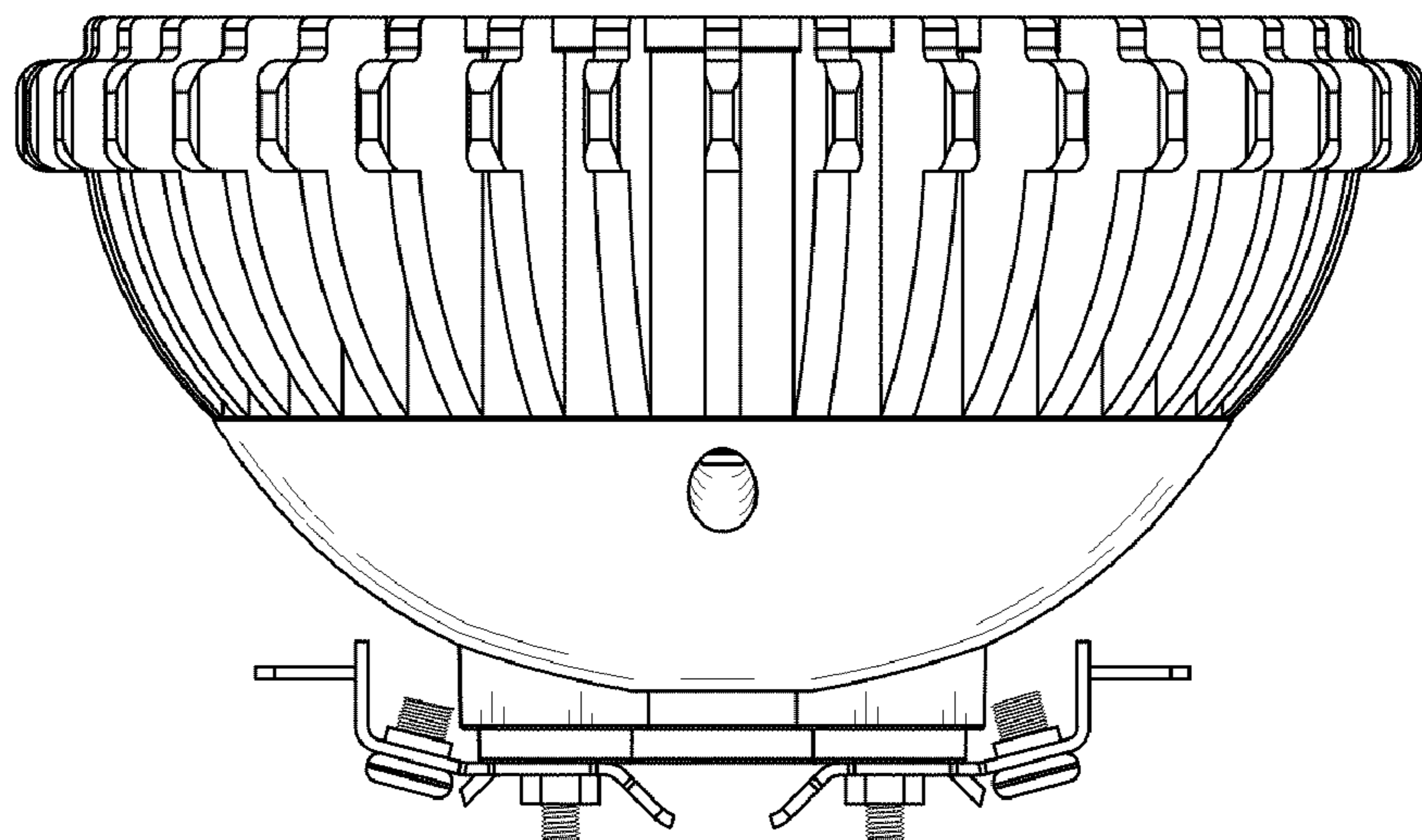


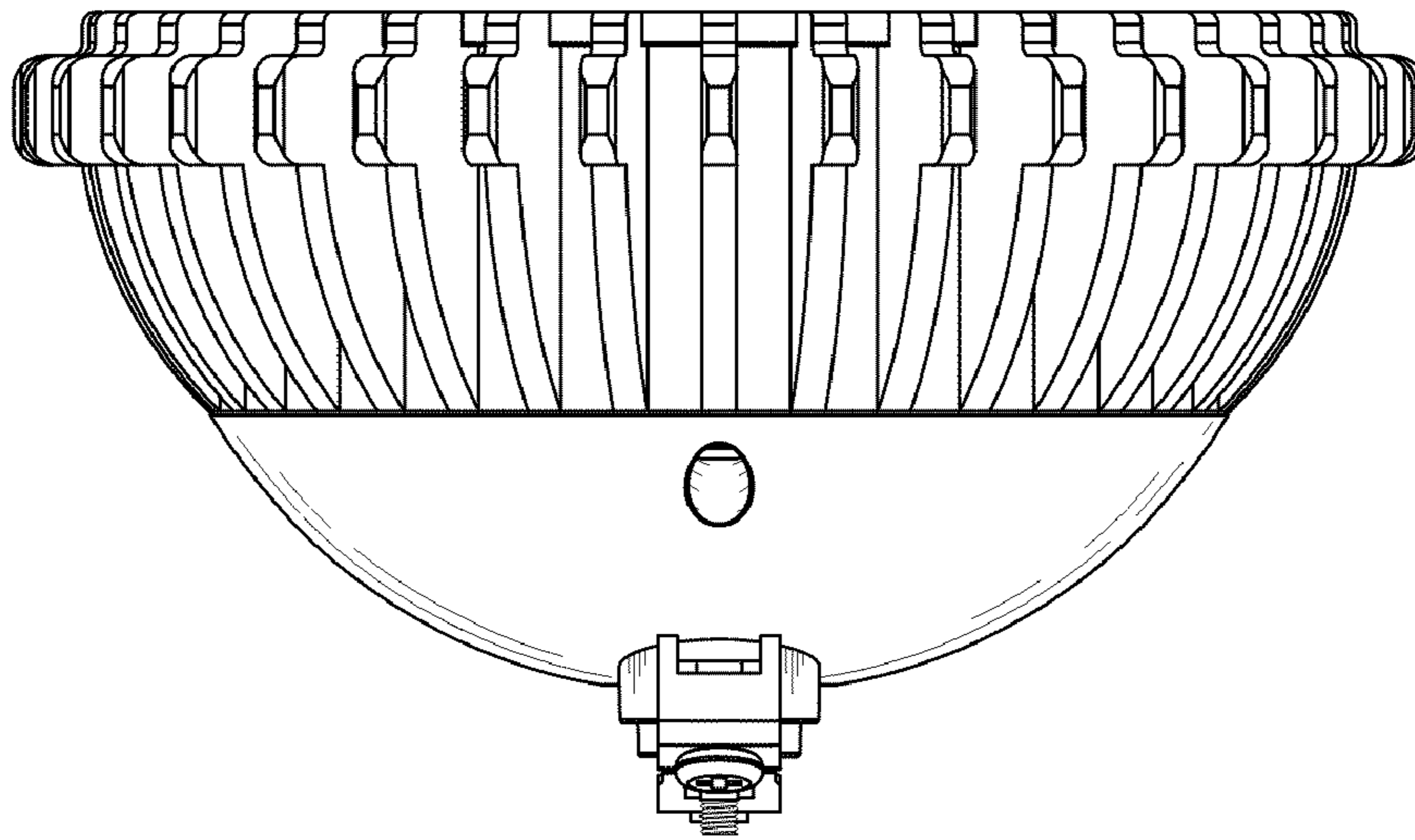
FIG. 2



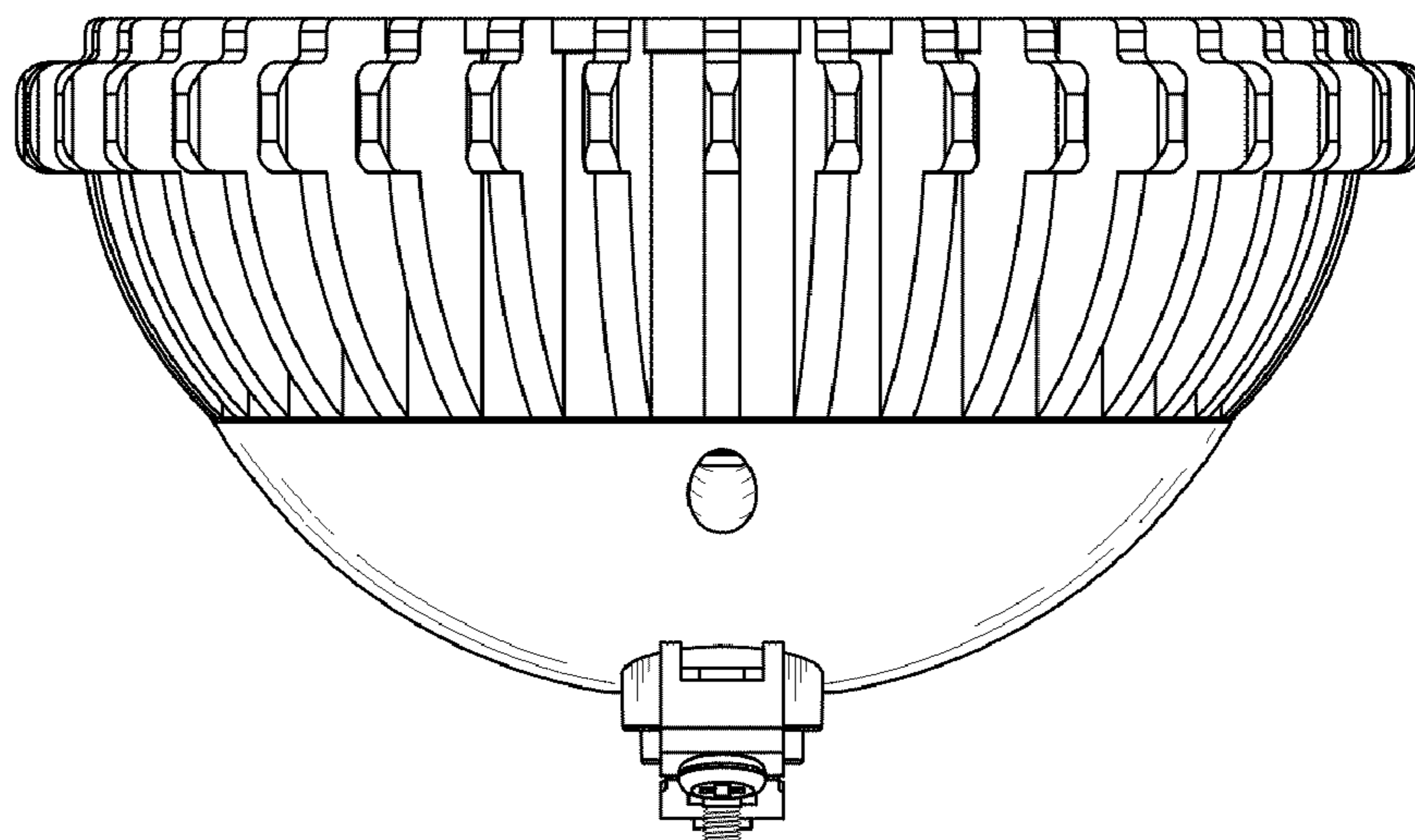
*FIG. 3*



*FIG. 4*



*FIG. 5*



*FIG. 6*

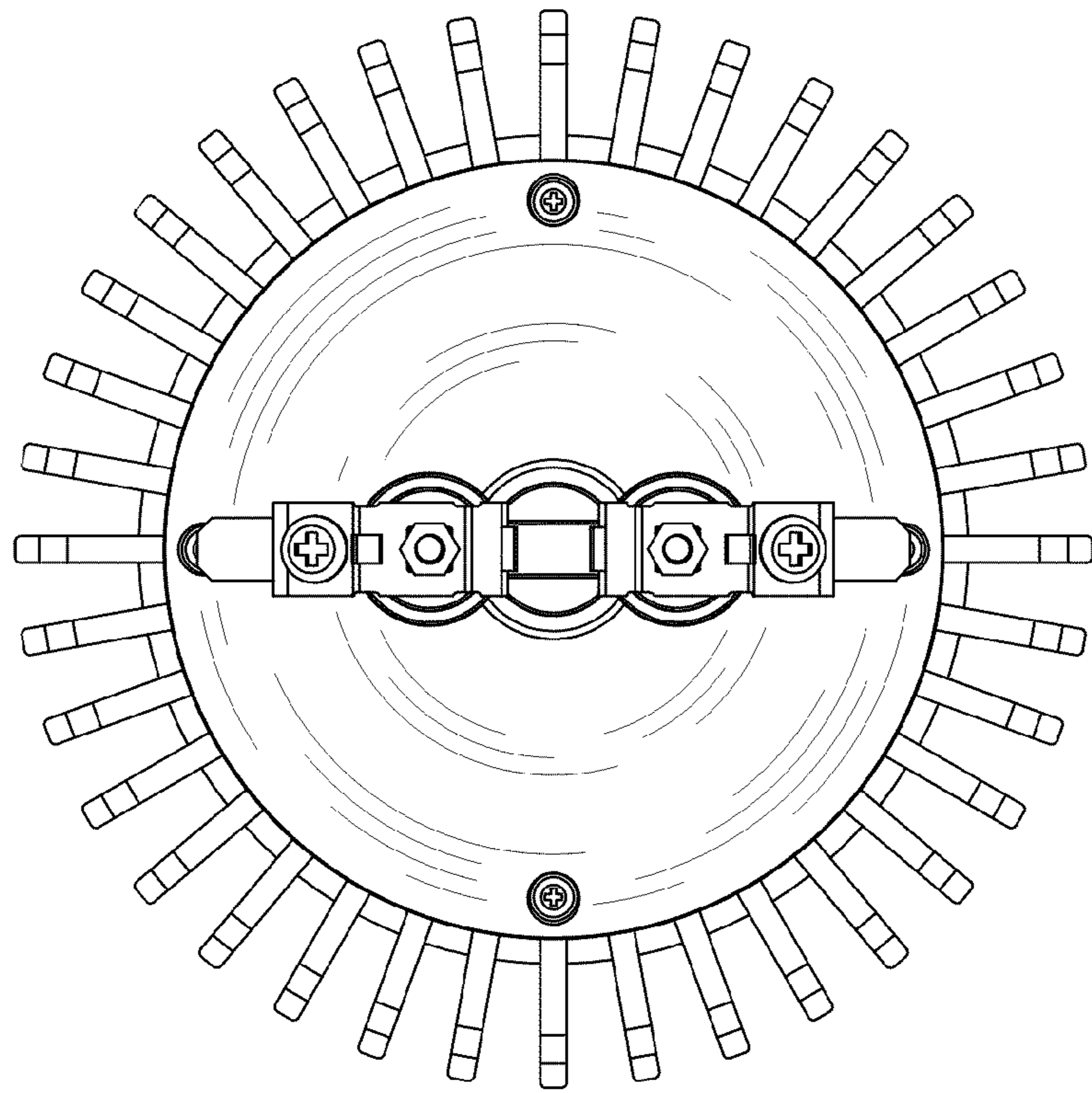


FIG. 7

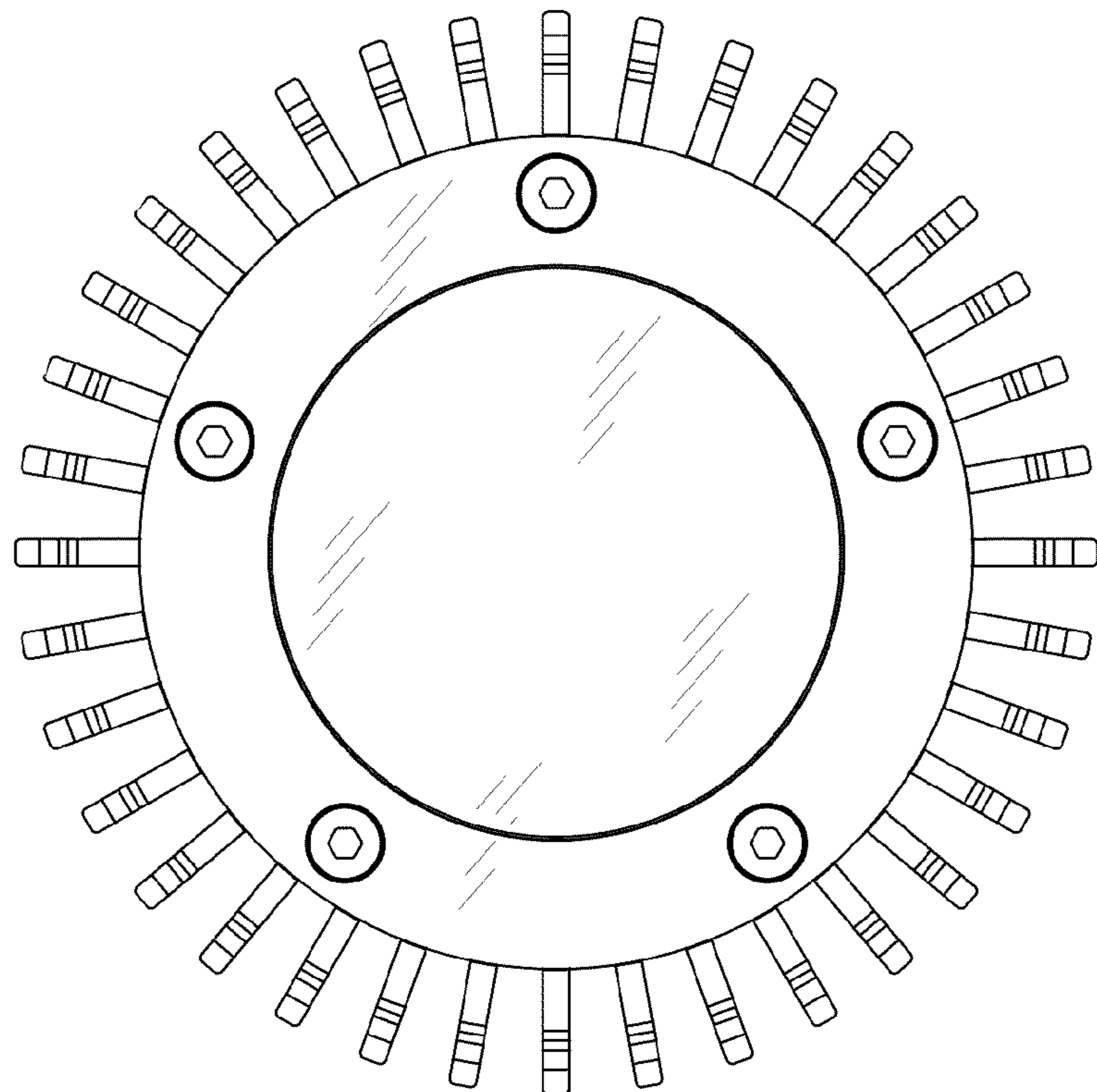


FIG. 8



US00D645182C1

(12) **INTER PARTES REEXAMINATION CERTIFICATE (587th)**

**United States Patent  
Li**

(10) **Number:** **US D645,182 C1**

(45) **Certificate Issued:** **Apr. 29, 2013**

(54) **PAR36 LED LAMP**

(76) **Inventor:** **Fei Li, ShenZhen (CN)**

**Reexamination Request:**

No. 95/001,908, Feb. 28, 2012

**Reexamination Certificate for:**

Patent No.: **Des. 645,182**

Issued: **Sep. 13, 2011**

Appl. No.: **29/378,333**

Filed: **Nov. 2, 2010**

(51) **LOC (9) Cl.** ..... **26-05**

(52) **U.S. Cl.**  
USPC ..... **D26/60**

(58) **Field of Classification Search**  
USPC ..... **D26/1-5, 24, 28, 34-36, 26, 60-66,**

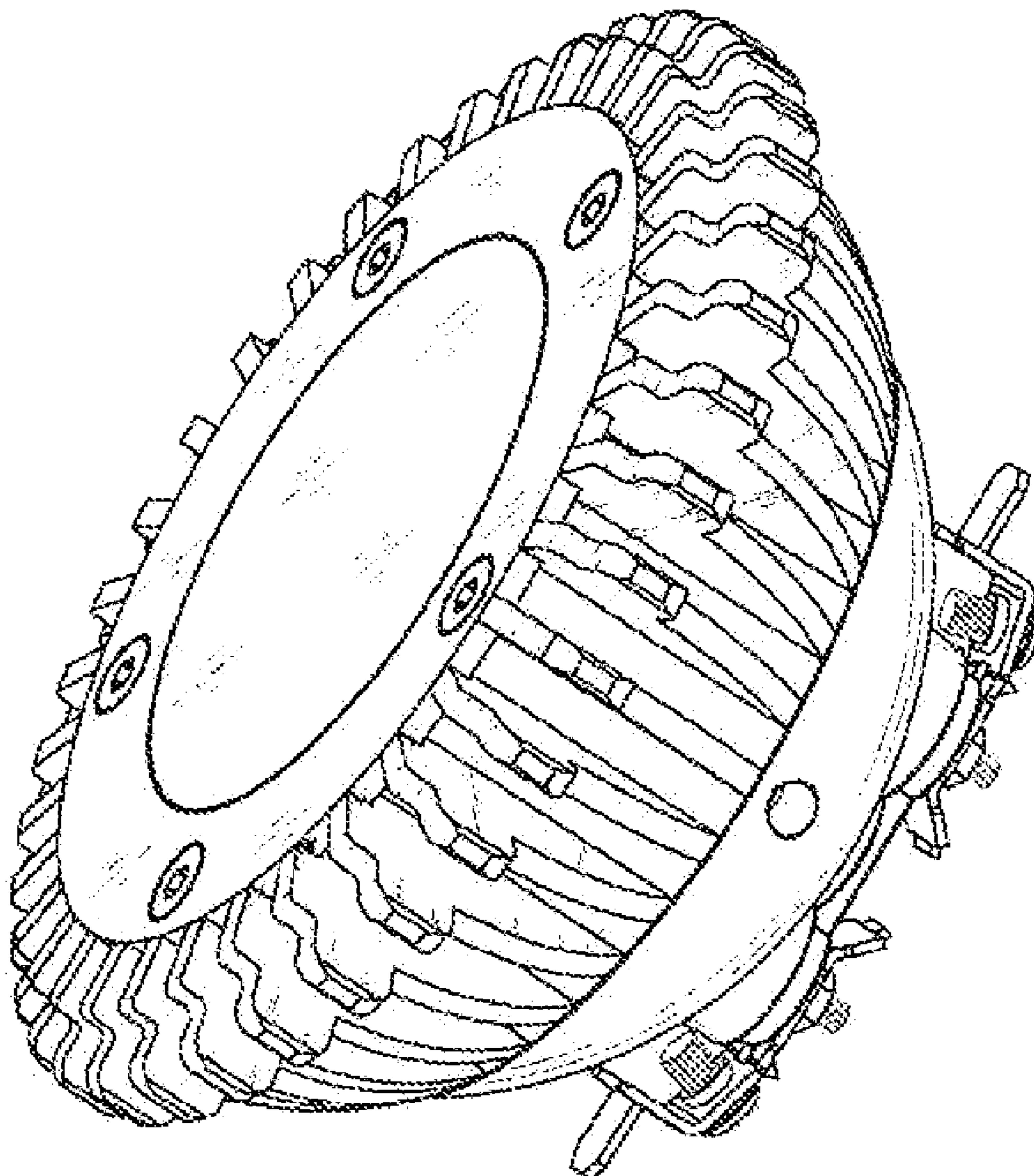
D26/71, 72, 118-124; 362/800, 547-549,  
362/457, 249.01, 249.02-249.05, 249.11,  
362/268, 273, 289, 294, 311.02, 368, 369,  
362/370, 371, 373, 374, 382, 386, 390, 396,  
362/651-659; 313/313, 315, 317, 318.01,  
313/318.05, 318.12; 315/51-61

See application file for complete search history.

(56) **References Cited**

To view the complete listing of prior art documents cited during the proceeding for Reexamination Control Number 95/001,908, please refer to the USPTO's public Patent Application Information Retrieval (PAIR) system under the Display References tab.

*Primary Examiner* — Catherine Tuttle



**INTER PARTES  
REEXAMINATION CERTIFICATE  
ISSUED UNDER 35 U.S.C. 316**

THE PATENT IS HEREBY AMENDED AS  
INDICATED BELOW.

5

AS A RESULT OF REEXAMINATION, IT HAS BEEN  
DETERMINED THAT:

10

Claim 1 is cancelled.

\* \* \* \* \*