



US00D645180S

(12) **United States Design Patent**
Slater

(10) **Patent No.:** **US D645,180 S**
(45) **Date of Patent:** **** Sep. 13, 2011**

(54) **SPOTLIGHT**

(75) Inventor: **Owen Alan Slater**, Plano, TX (US)

(73) Assignee: **The Brinkmann Corporation**, Dallas, TX (US)

(**) Term: **14 Years**

(21) Appl. No.: **29/349,937**

(22) Filed: **May 19, 2010**

(51) **LOC (9) Cl.** **26-02**

(52) **U.S. Cl.** **D26/45**

(58) **Field of Classification Search** D26/37,
D26/38, 46, 45, 49, 48, 50; 362/157, 158,
362/183, 184, 194-199, 202-208

See application file for complete search history.

(56) **References Cited**

U.S. PATENT DOCUMENTS

D204,303 S *	4/1966	Mellyn	D26/45
D282,873 S	3/1986	May et al.		
4,654,629 A	3/1987	Bezos et al.		
4,963,798 A	10/1990	McDermott		
5,871,272 A	2/1999	Sharrah et al.		
D431,662 S	10/2000	Krieger		
D436,200 S	1/2001	Cheong et al.		
D438,997 S	3/2001	Yuen		
D441,474 S	5/2001	Poon		
D450,145 S	11/2001	Krieger et al.		
6,364,504 B1	4/2002	Hon		
D456,921 S *	5/2002	Parker et al.	D26/45
D461,266 S	8/2002	Cheong et al.		
D500,155 S	12/2004	Lee		
D506,278 S *	6/2005	Dayan	D26/45
7,281,818 B2	10/2007	You et al.		
D561,917 S	2/2008	Tsao		
D561,923 S *	2/2008	Hsu	D26/45
D566,870 S	4/2008	Yuen		
D567,419 S	4/2008	Ho		
D571,489 S	6/2008	Opolka		

D572,385 S	7/2008	Mazzochette et al.		
D574,532 S	8/2008	Lee et al.		
D581,555 S	11/2008	To et al.		
D582,578 S	12/2008	Tsai et al.		
D584,428 S	1/2009	Li et al.		
D587,384 S	2/2009	Wei		
D590,076 S	4/2009	Grajcar		
7,581,848 B1 *	9/2009	Parsons et al.	362/206
D603,540 S *	11/2009	Shum et al.	D26/45

(Continued)

FOREIGN PATENT DOCUMENTS

DE 203 17 017 U1 2/2004

OTHER PUBLICATIONS

The Brinkmann Corporation, 2007/2008 Product Catalog, pp. 99-107, various spotlights (total 10 pgs.).

(Continued)

Primary Examiner — Jeffrey D Asch

Assistant Examiner — Carissa C Fitts

(74) *Attorney, Agent, or Firm* — Sheppard, Mullin, Richter & Hampton LLP

(57) **CLAIM**

I claim the ornamental design for a spotlight, as shown and described.

DESCRIPTION

FIG. 1 is a first perspective view of the spotlight showing the new design;

FIG. 2 is a front elevational view thereof;

FIG. 3 is a rear elevational view thereof;

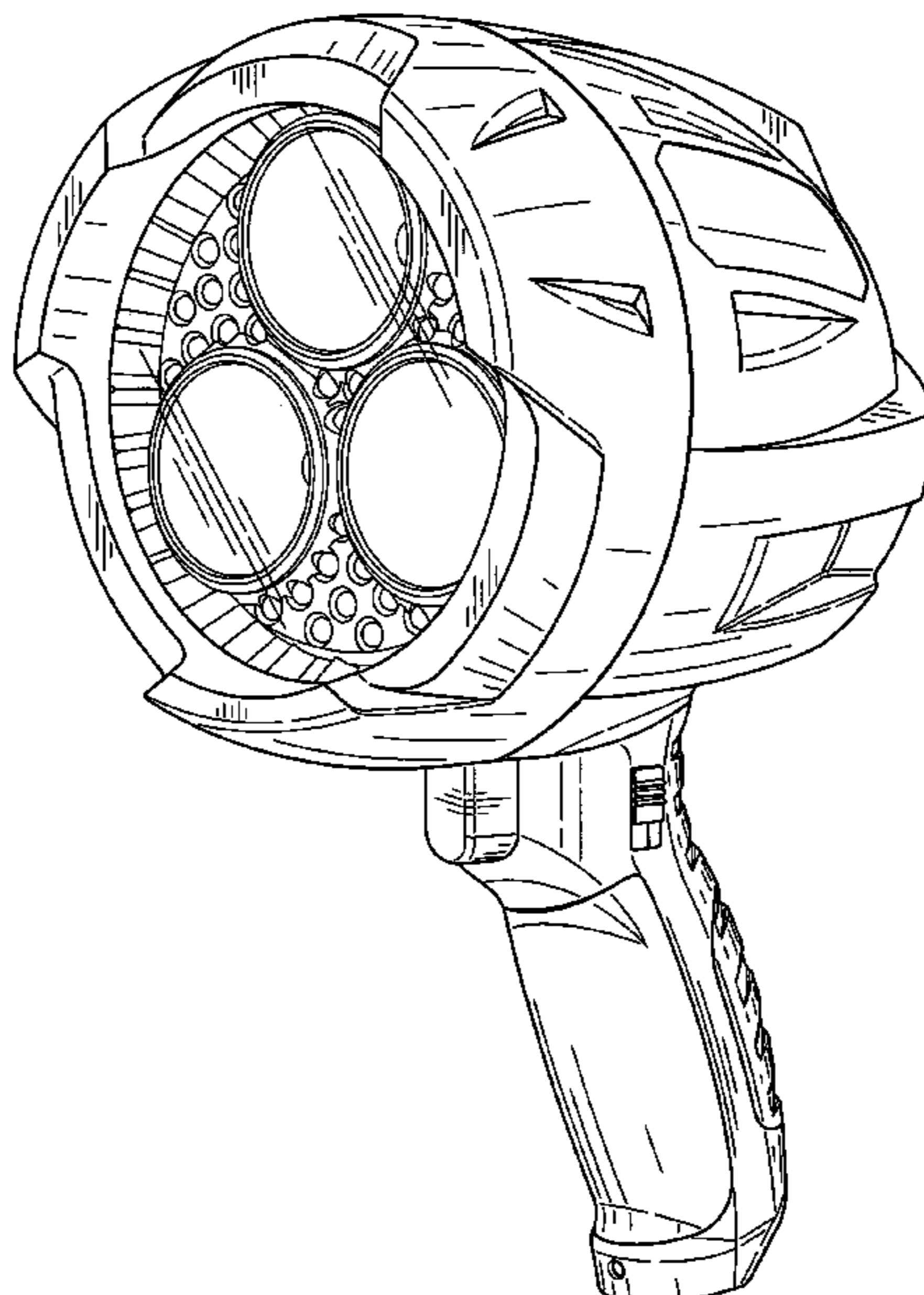
FIG. 4 is a right side elevational view thereof;

FIG. 5 is a left side elevational view thereof;

FIG. 6 is a top plan view thereof; and,

FIG. 7 is a bottom plan view thereof.

1 Claim, 6 Drawing Sheets



U.S. PATENT DOCUMENTS

D618,837	S *	6/2010	Leung et al.	D26/45
2002/0196620	A1	12/2002	Sommers et al.	
2003/0035286	A1	2/2003	Parker et al.	
2005/0007777	A1	1/2005	Klipstein et al.	
2005/0174772	A1	8/2005	Gun	
2005/0231974	A1	10/2005	Ruffin	
2006/0245180	A1	11/2006	Hsu	
2007/0064415	A1	3/2007	Wood	
2008/0278946	A1	11/2008	Tarter et al.	

OTHER PUBLICATIONS

Internet printout from www.deslamps.co.uk printed Apr. 27, 2009, 3 Watt Flood GU10 Replacement White LED Lamp (1 pg.).

Internet printout from www.allproducts.com printed Apr. 27, 2009, High Power LED Lamp Spot Light Bulb (1 pg.).

Internet printout from www.savingsahead.com printed Apr. 27, 2009, Handheld Spotlight Rechargeable Portable Handheld Spotlights PML8000Y (1 pg.).

Internet printout from <http://the-auto-alley.amazonwebstore.com> printed Apr. 24, 2009, Spotlite—1M. C.P.—Hal.—Recharg.—Cordless (1 pg.).

Internet printout from www.rvtoyoutlet.com printed Apr. 24, 2009, Cordless Spot Light (2 Million Candle Power) (1 pg.).

Internet printout from www.savingsahead.com printed Apr. 27, 2009, Coleman Powermate Rechargeable Spotlights marine 1M CP Marine Spotlight PML8025M (1 pg.).

Internet printout from www.bicsuperstore.com printed Apr. 27, 2009, 1 Watt LED Spotlight (1 pg.).

Internet printout from www.dorcy.com printed Apr. 27, 2009, 3 Million Candle Power Pistol Grip Rechargeable Spotlight (1 pg.).

Internet printout from www.garritylites.com printed Apr. 24, 2009, Rechargeable Cordless Spotlight Item #S700 (1 pg.).

Internet printout from www.diguniverse.com printed Apr. 24, 2009, UPG1 86041 Cordless Spotlight (1 pg.).

Internet printout from <http://theeverythingunderthesunstore.info> printed Apr. 24, 2009, Coleman 12 Volt Handheld Spotlight 2 Pack (1 pg.).

Internet printout from www.basspro.com printed Apr. 24, 2009, various spotlights (1 pg.).

Internet printouts from <http://images.google.com> printed Apr. 24, 2009, various spotlights (2 pgs.).

* cited by examiner

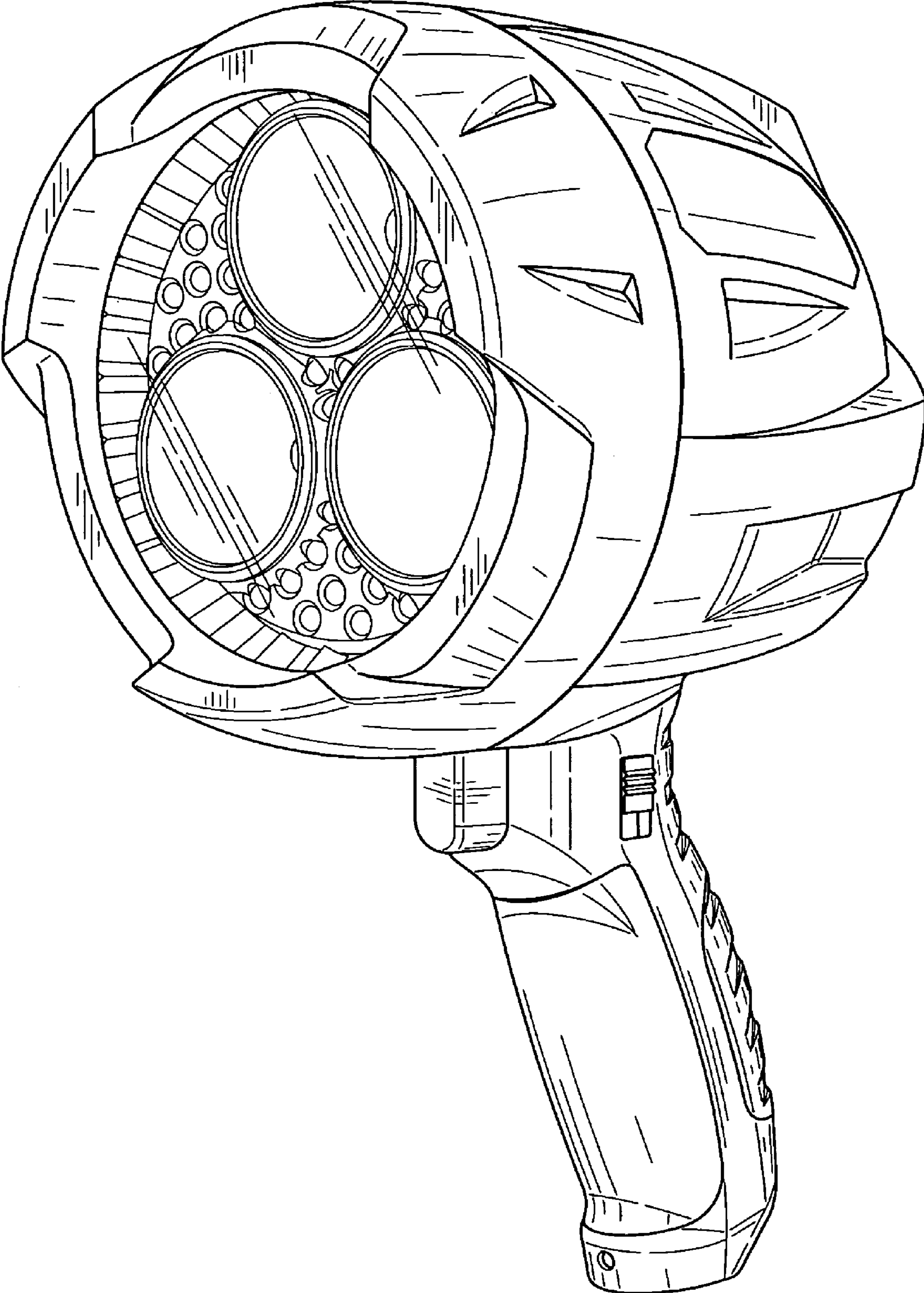


FIG. 1

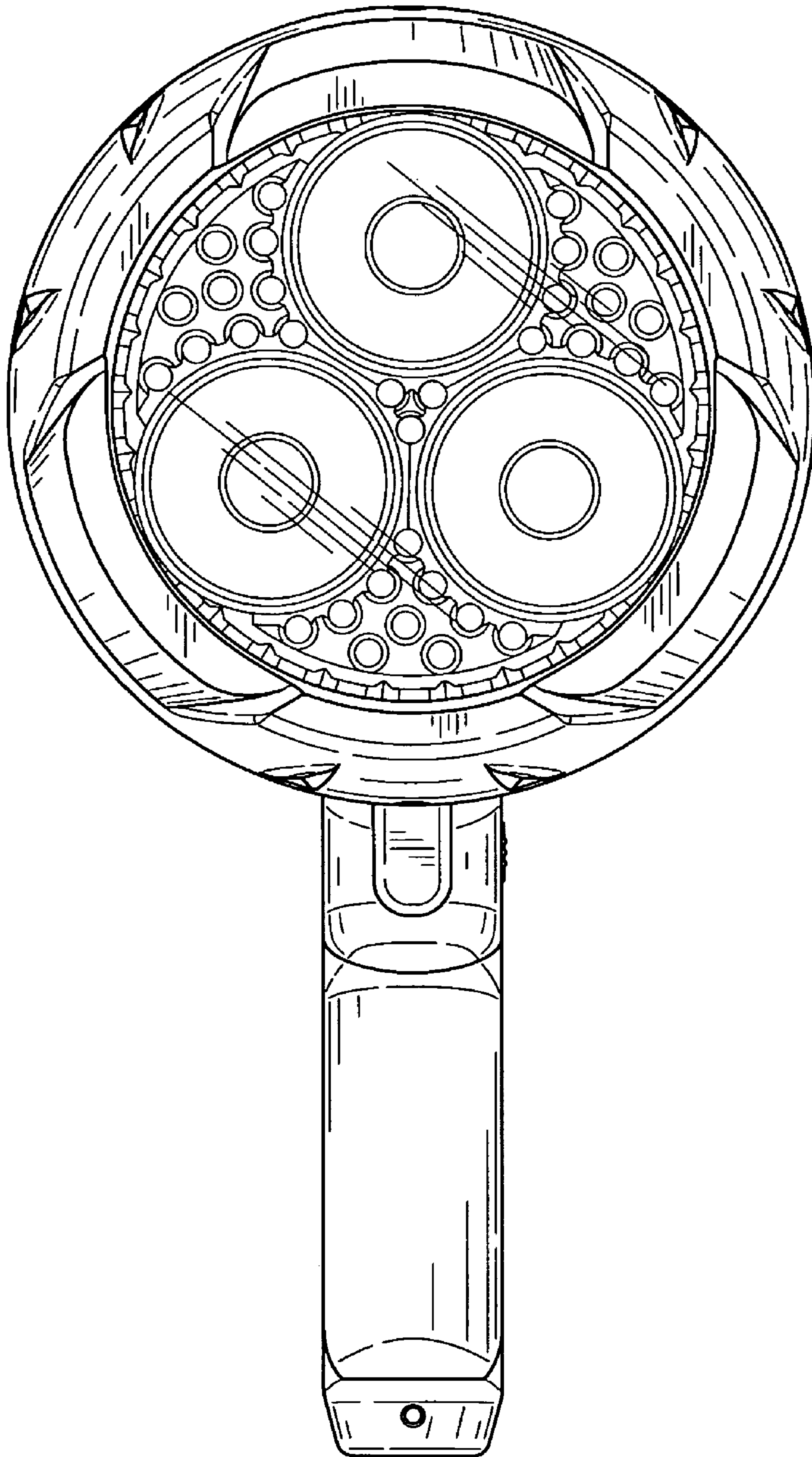


FIG. 2

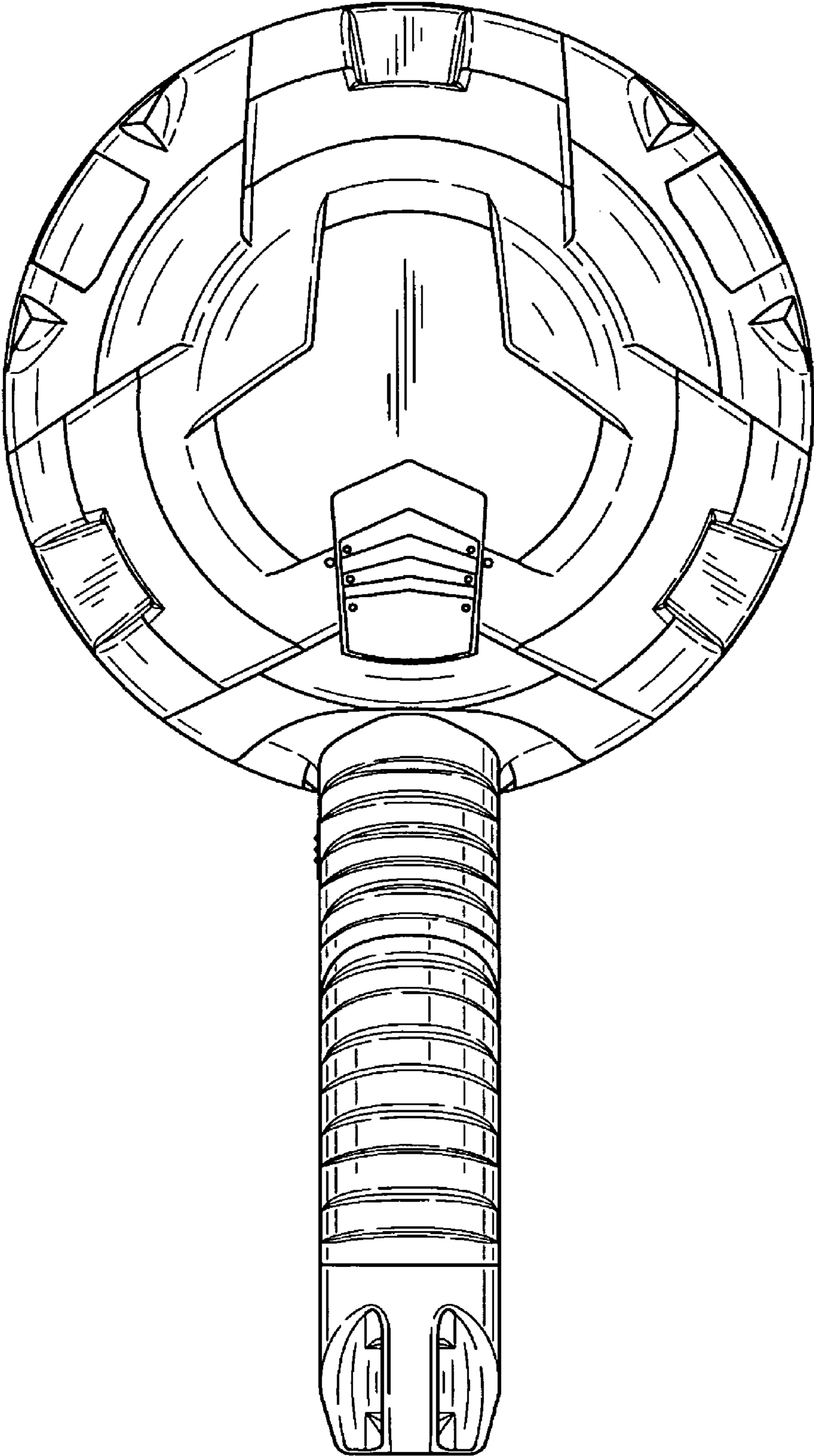


FIG. 3

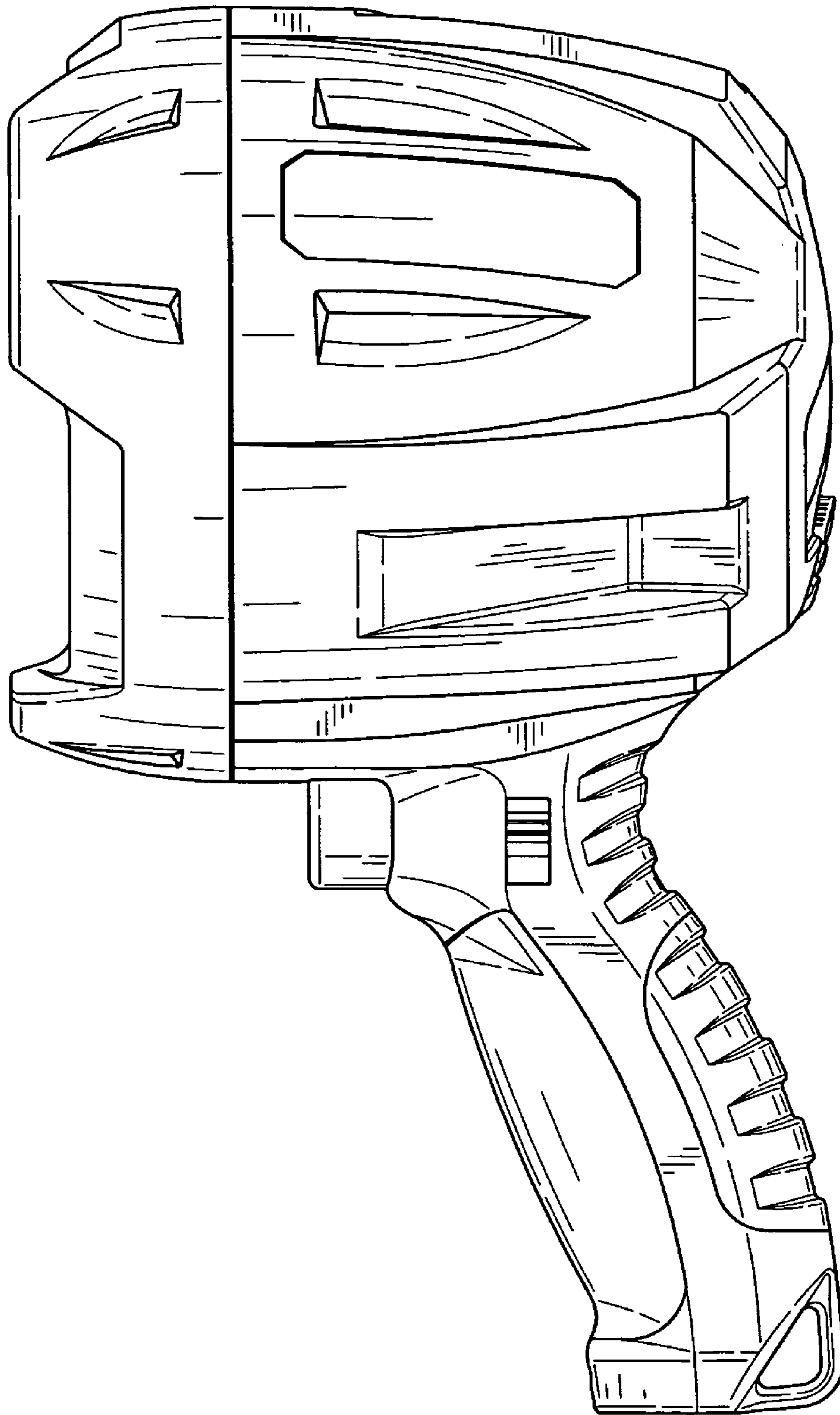


FIG. 4

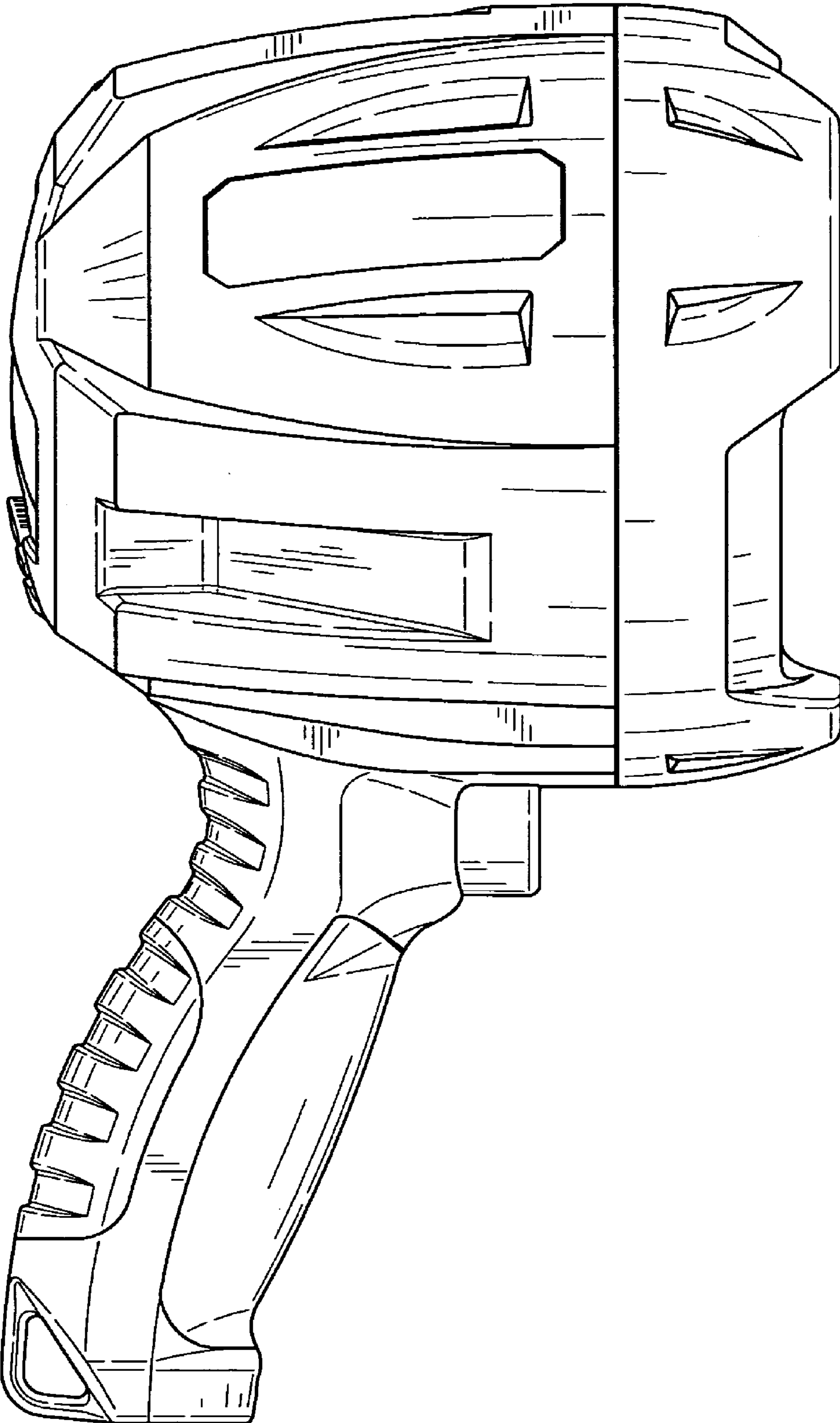


FIG. 5

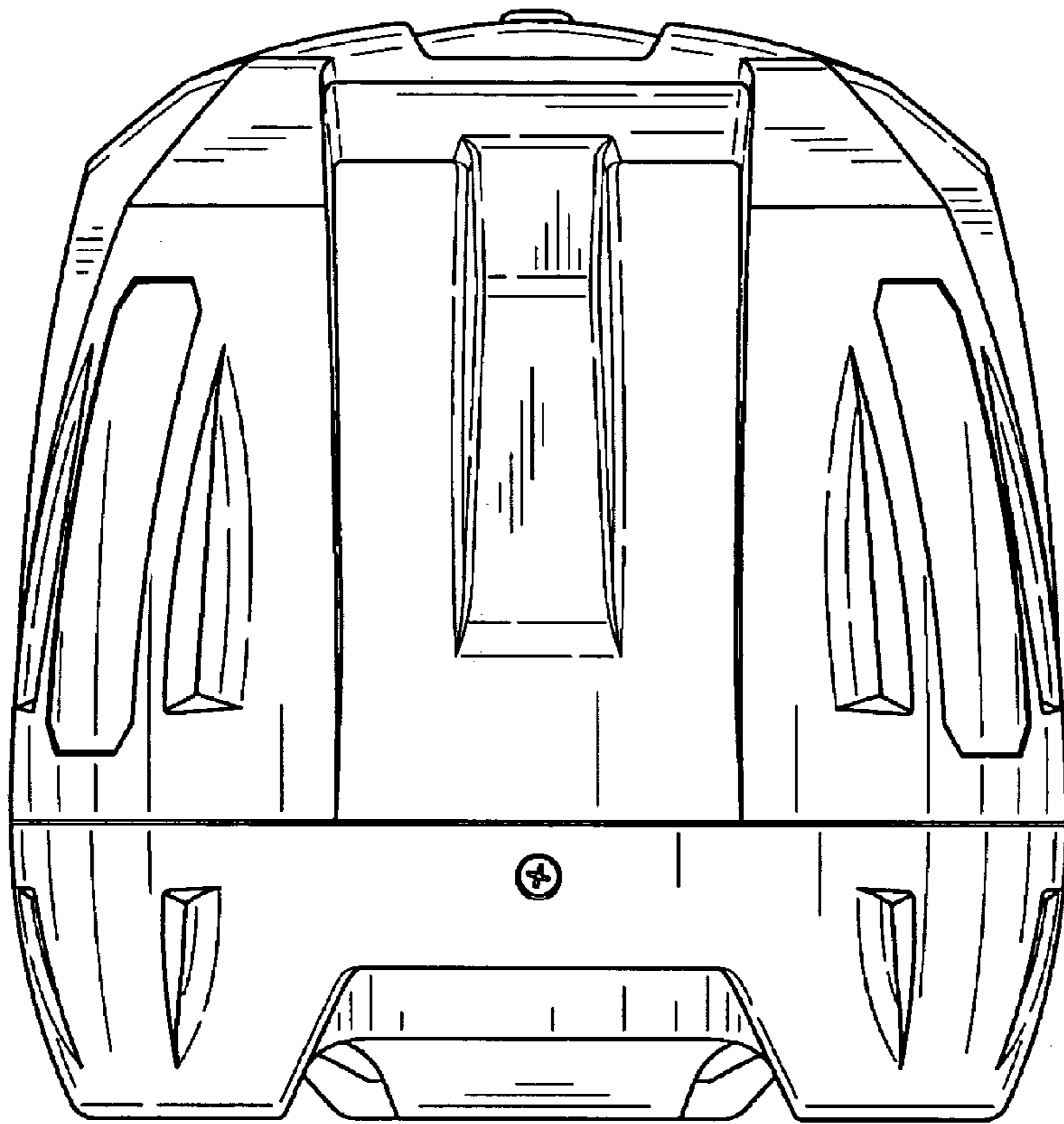


FIG. 6

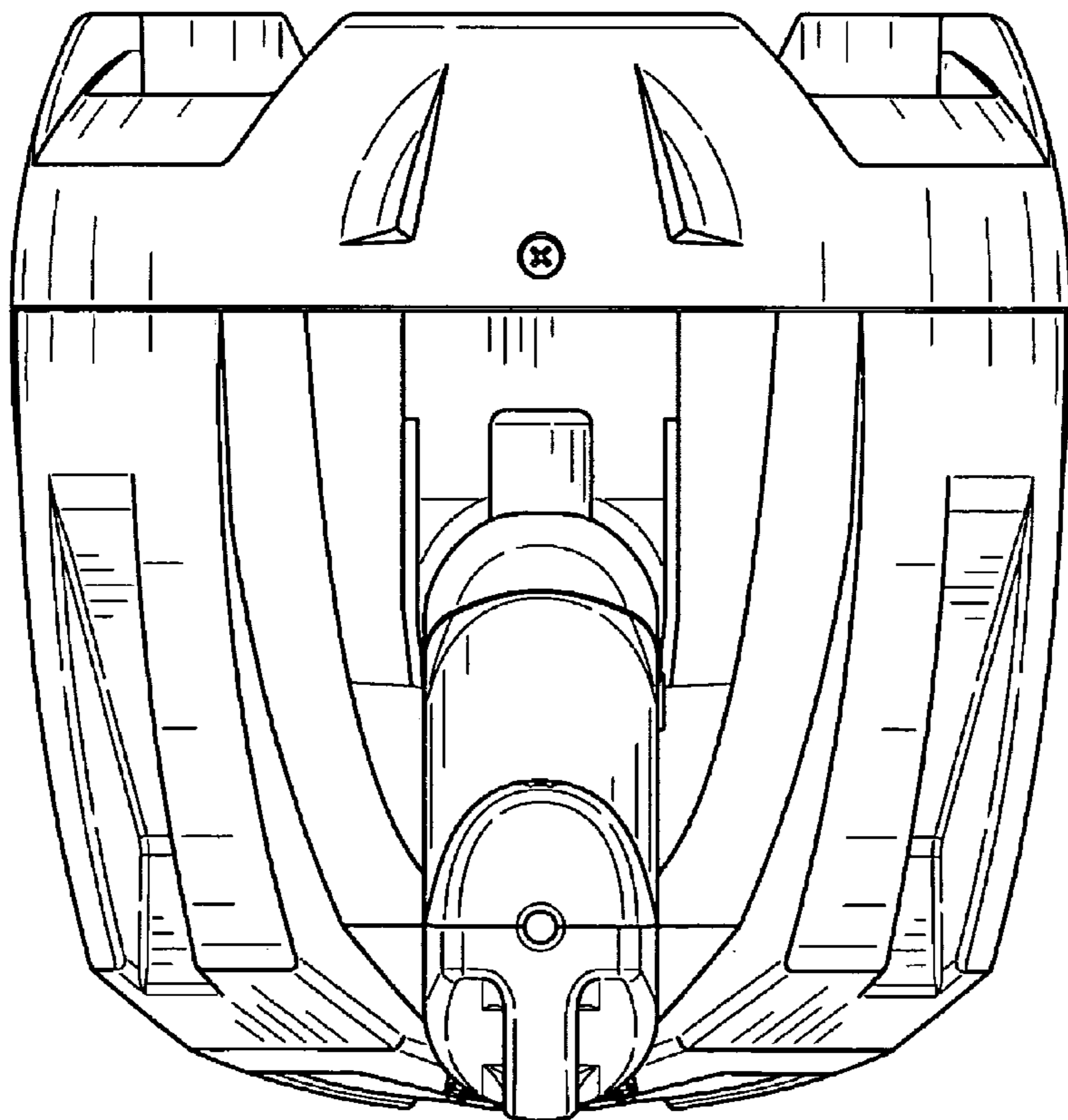


FIG. 7