



US00D645172S

(12) **United States Design Patent**
Cobb et al.

(10) **Patent No.:** **US D645,172 S**
(45) **Date of Patent:** **** Sep. 13, 2011**

(54) **CANDLE**

(75) Inventors: **Victoria Heather Cobb**, Hull (GB);
Matthew Copeman, Hull (GB); **Alun Williams**, Hull (GB)

(73) Assignee: **Reckitt & Colman (Overseas) Limited**,
Slough, Berkshire (GB)

(**) Term: **14 Years**

(21) Appl. No.: **29/384,394**

(22) Filed: **Jan. 31, 2011**

(30) **Foreign Application Priority Data**

Aug. 10, 2010 (EM) 001741927-0001

(51) **LOC (9) Cl.** **26-04**

(52) **U.S. Cl.** **D26/6**

(58) **Field of Classification Search** D26/6-10;
431/125, 288-292

See application file for complete search history.

(56) **References Cited**

U.S. PATENT DOCUMENTS

D231,135 S *	4/1974	Marcum	D26/7
D423,694 S *	4/2000	Ruffolo et al.	D26/7
D433,081 S *	10/2000	Reithmeier	D21/659
D466,633 S *	12/2002	Bennetts et al.	D26/6
D622,877 S *	8/2010	Seum et al.	D26/6

* cited by examiner

Primary Examiner — Marcus Jackson

(74) *Attorney, Agent, or Firm* — Norris, McLaughlin & Marcus, P.A.

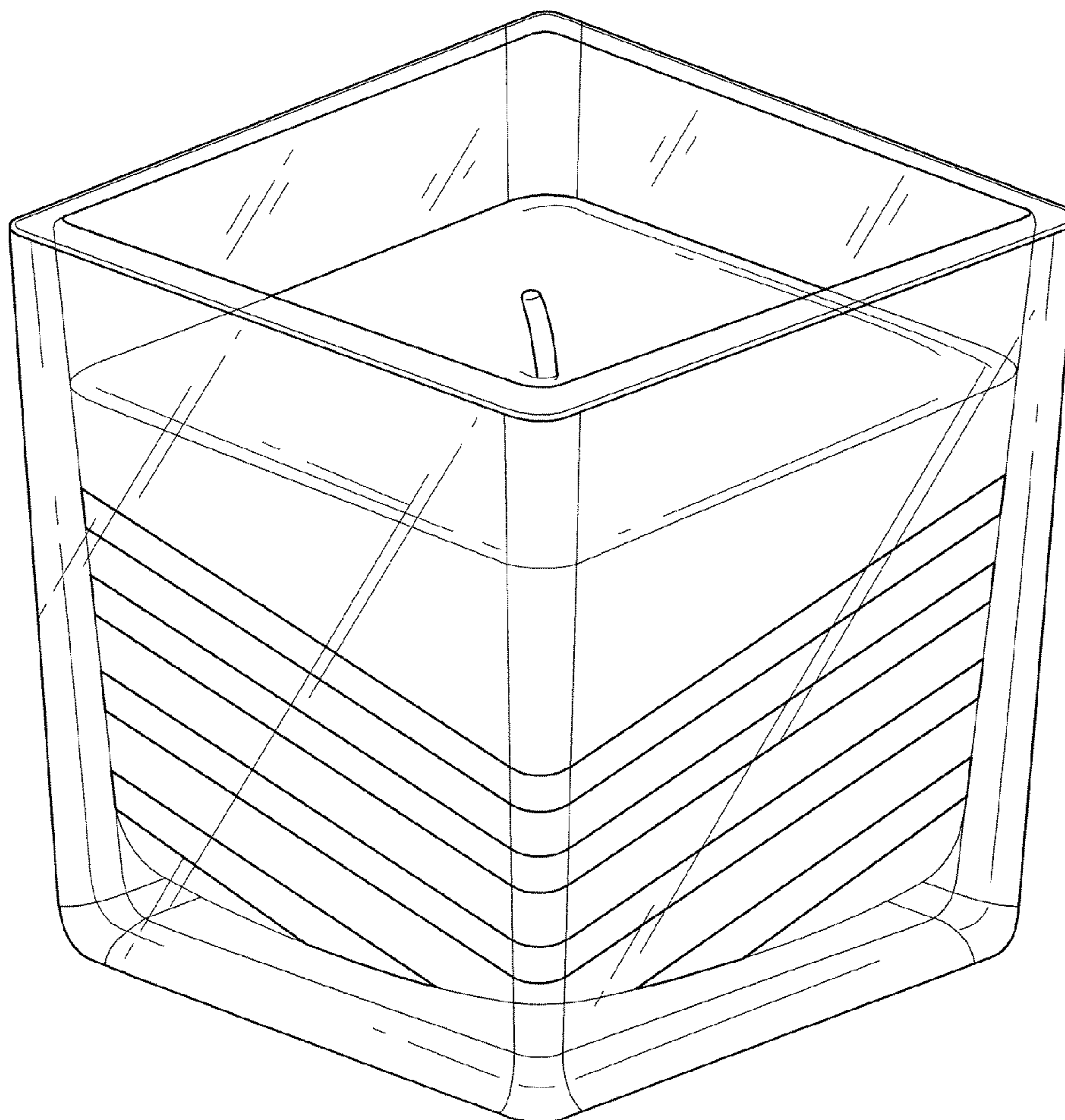
(57) **CLAIM**

The ornamental design for a candle, as shown and described.

DESCRIPTION

FIG. 1 is a front perspective view of our candle;
FIG. 2 is a front elevation view thereof;
FIG. 3 is a left side elevation view thereof;
FIG. 4 is a right side elevation view thereof;
FIG. 5 is a rear elevation view thereof;
FIG. 6 is a top plan view thereof; and,
FIG. 7 is a bottom plan view thereof.

1 Claim, 7 Drawing Sheets



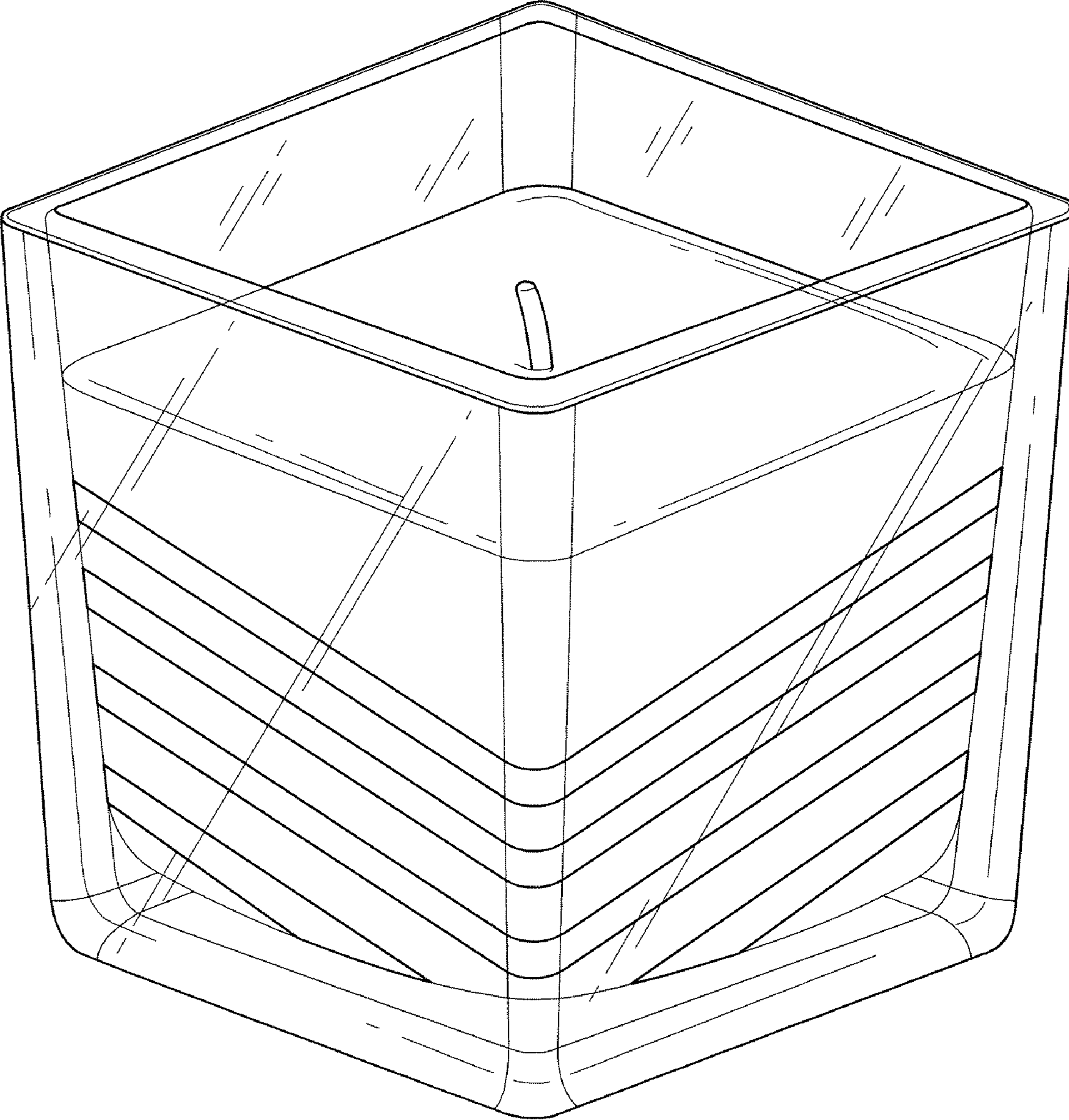


Fig. 1

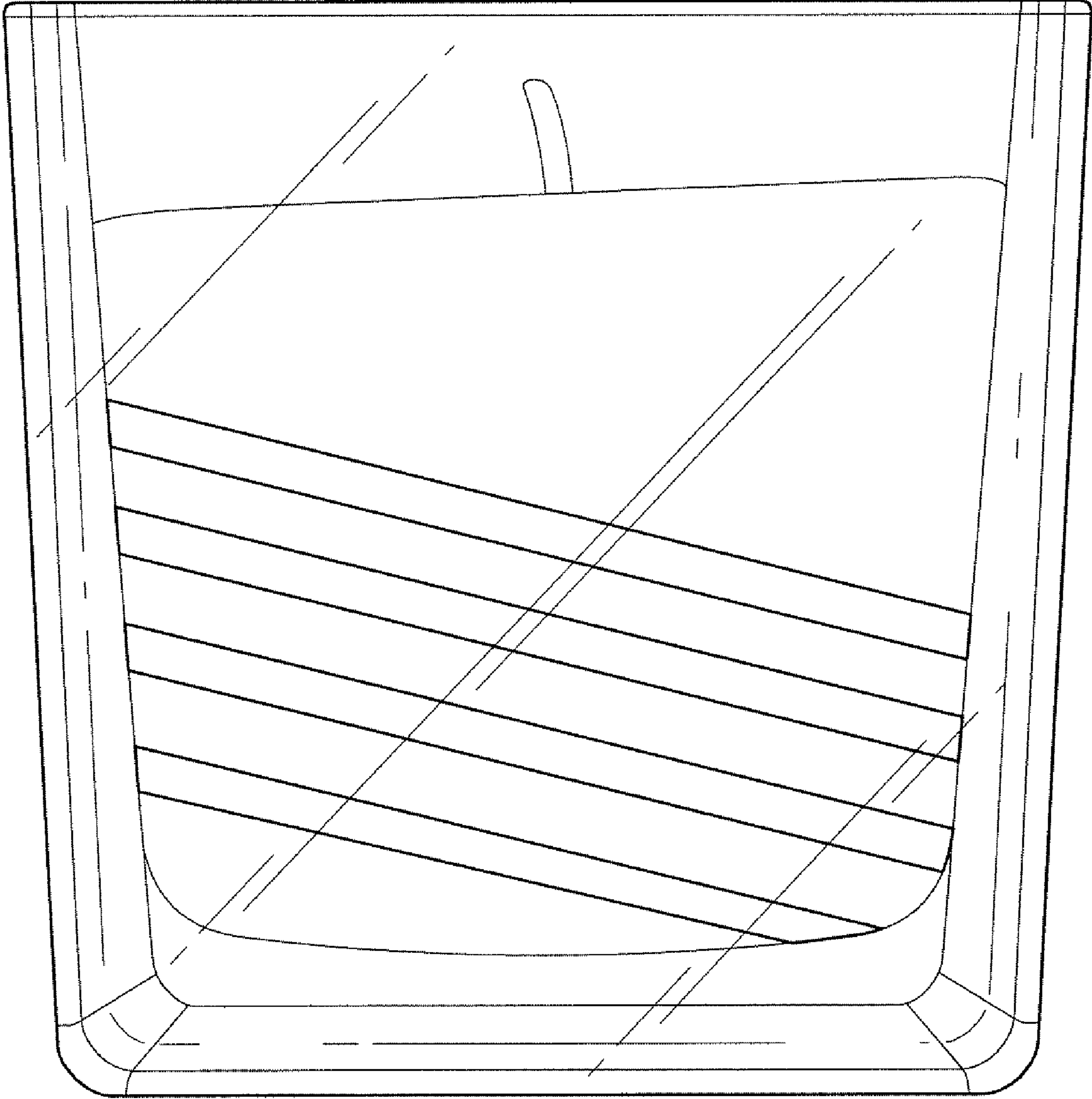


Fig. 2

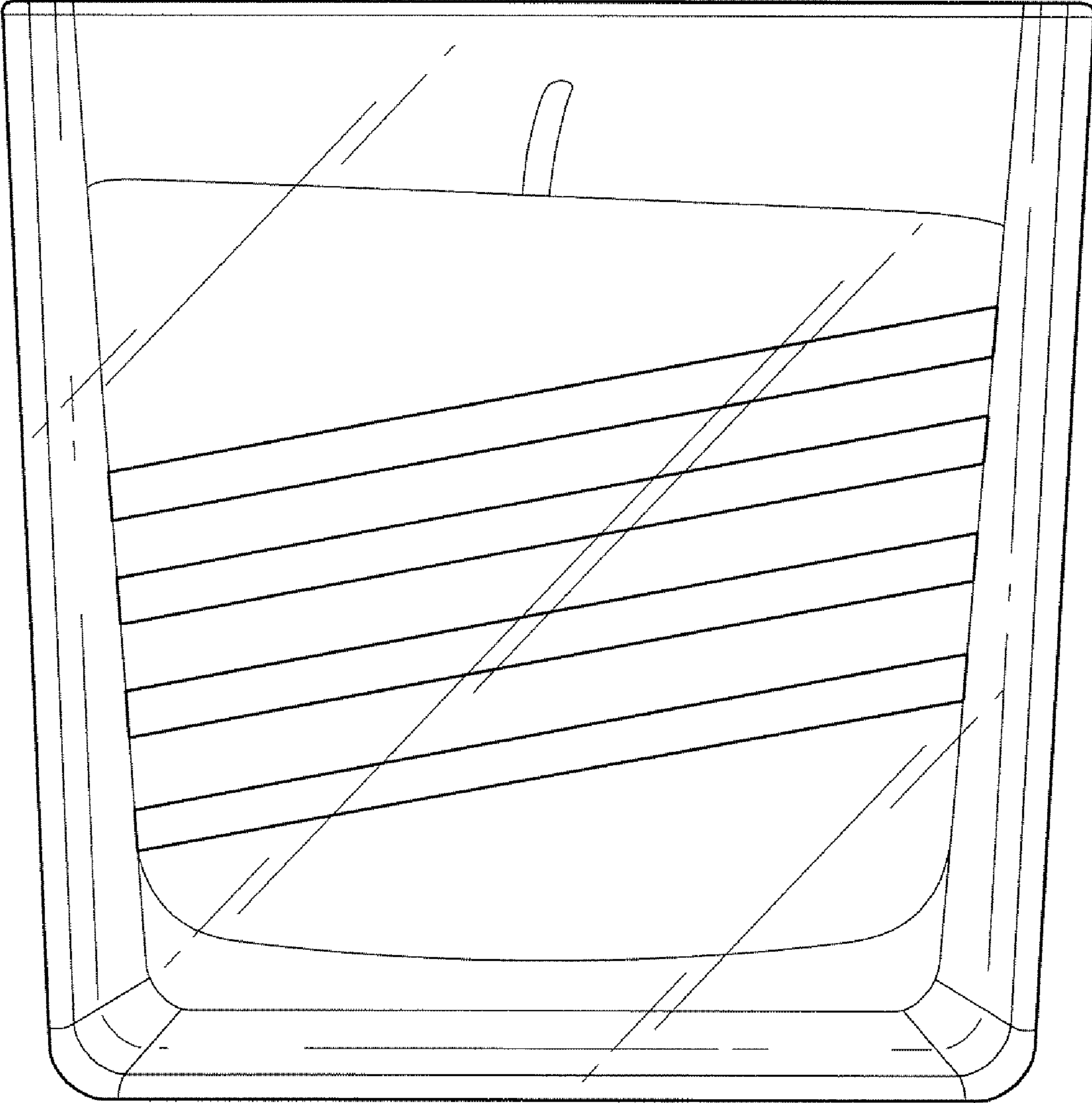


Fig. 3

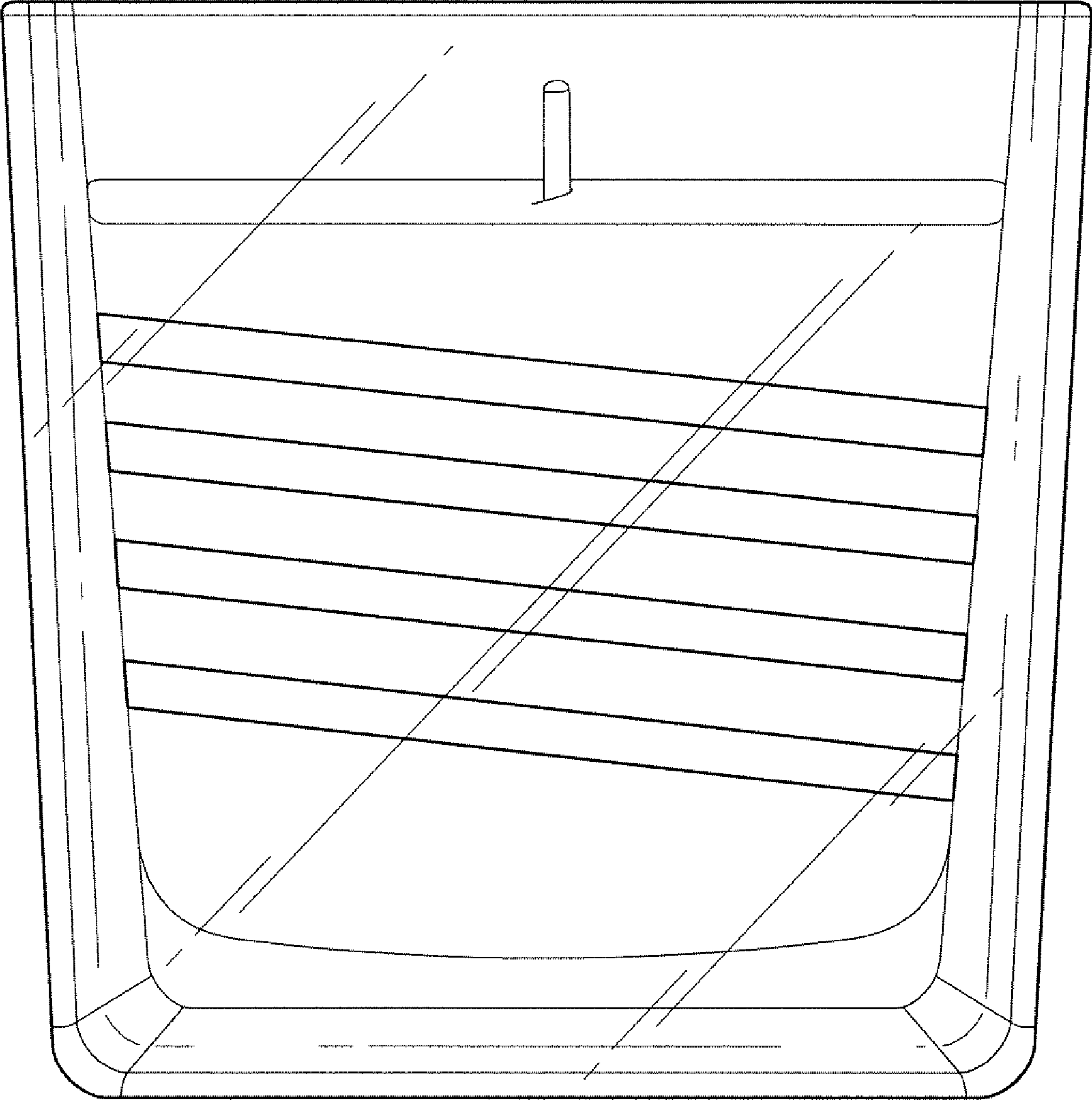


Fig. 4

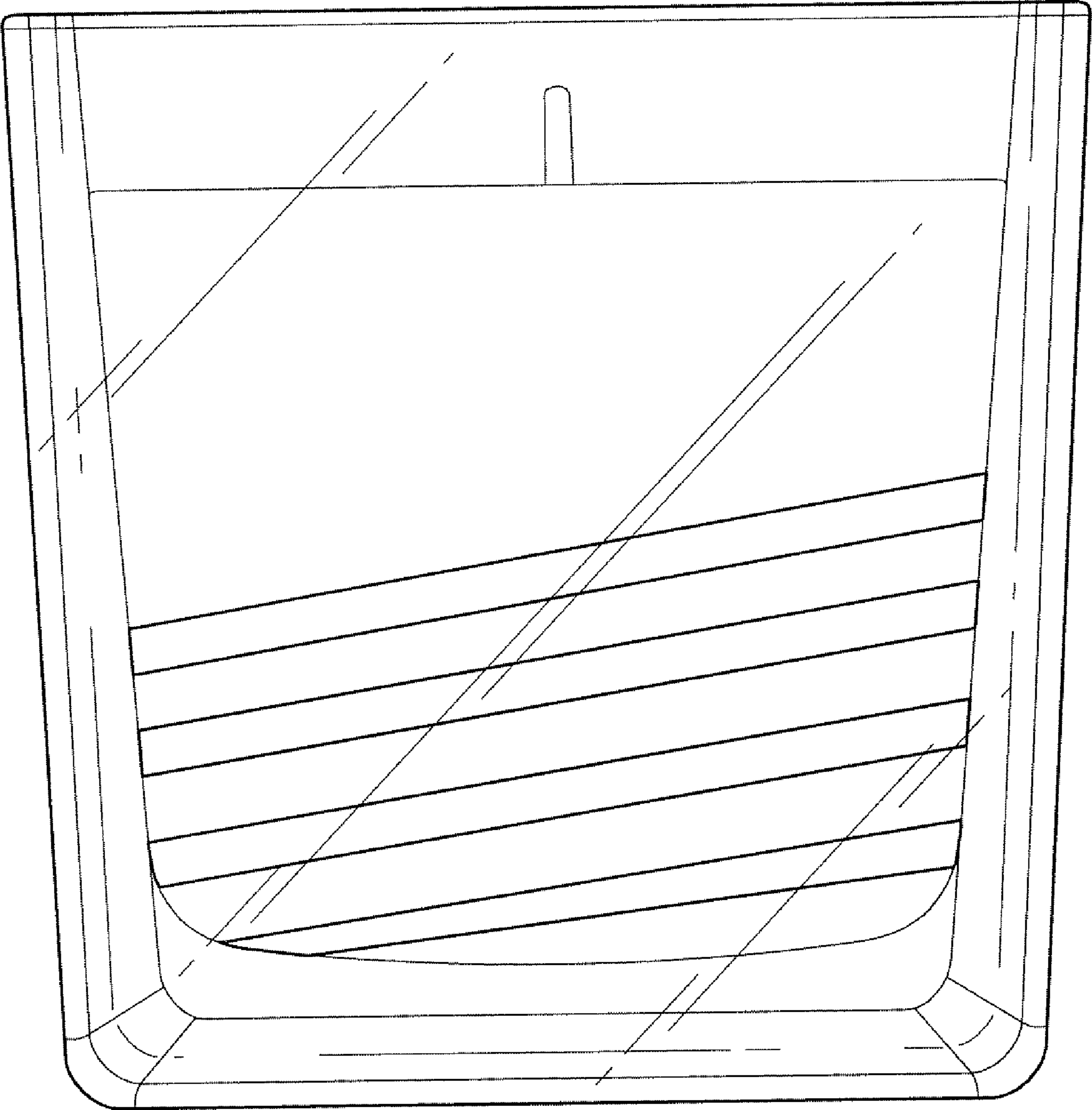


Fig. 5

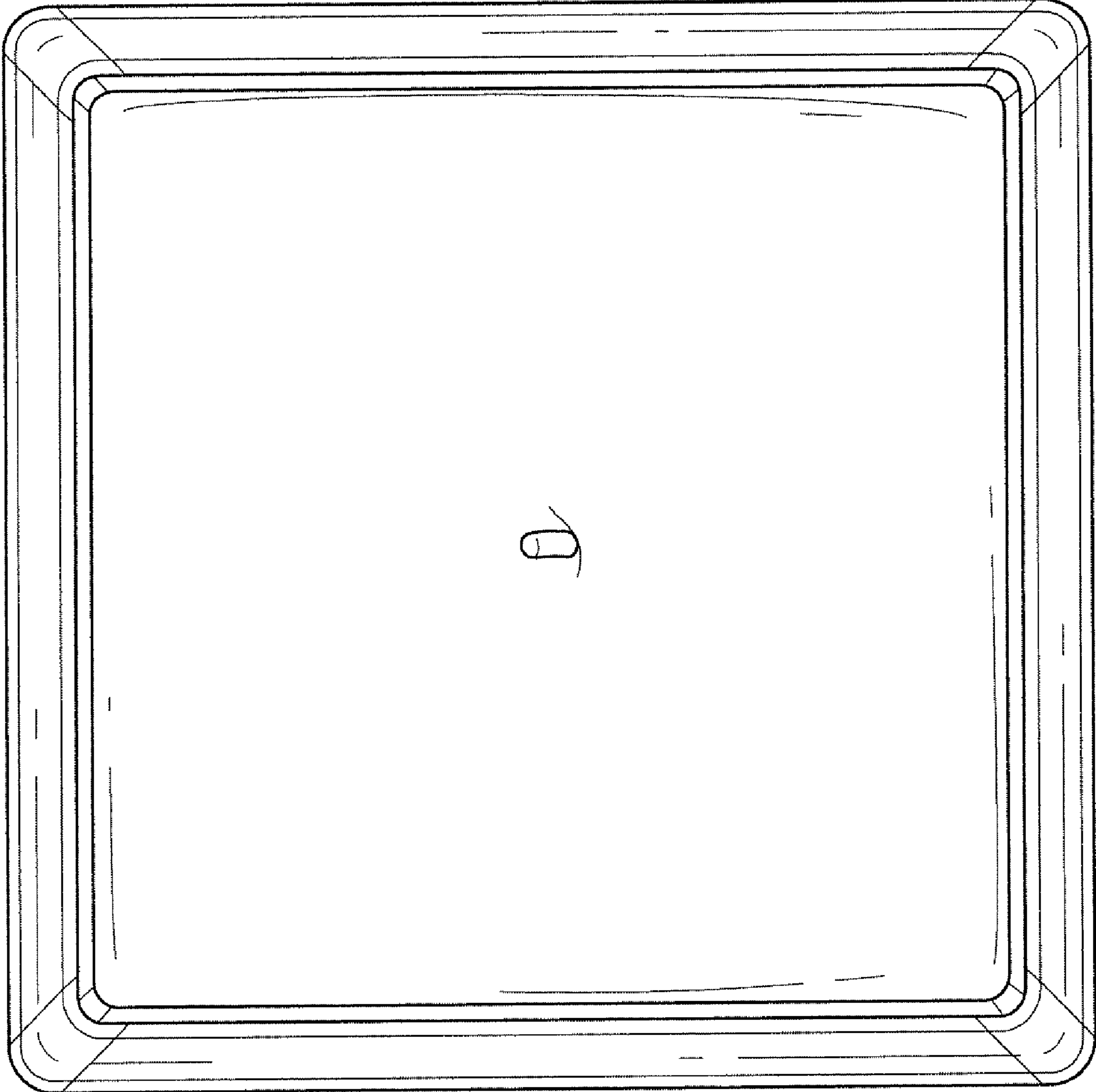


Fig. 6

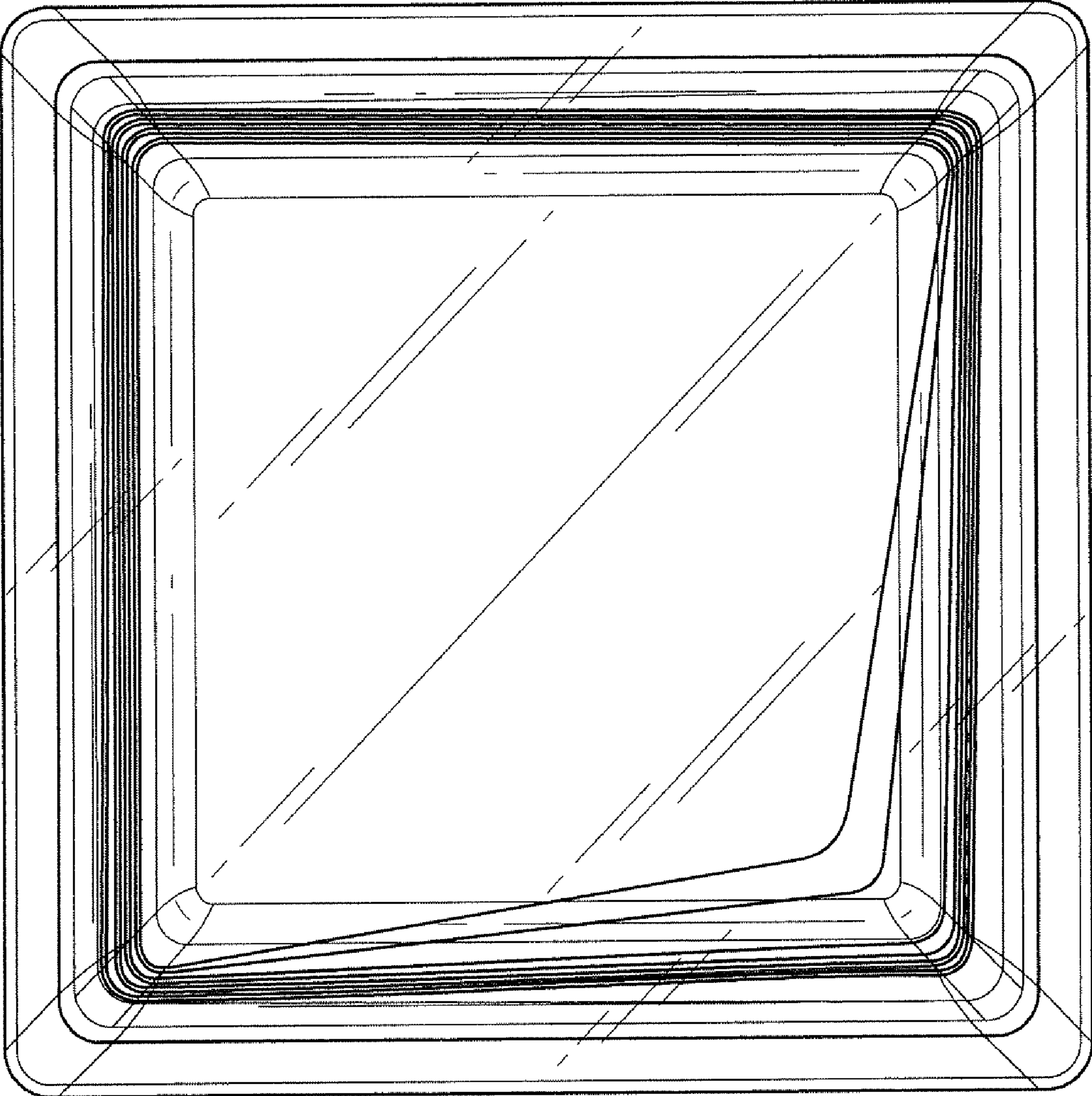


Fig. 7