



US00D645168S

(12) **United States Design Patent**
Franson

(10) **Patent No.:** **US D645,168 S**
(45) **Date of Patent:** **** Sep. 13, 2011**

(54) **WINDOW COMPONENT EXTRUSION**

(56) **References Cited**

(75) **Inventor:** **Jeffrey R. Franson**, Maple Valley, WA
(US)

U.S. PATENT DOCUMENTS

(73) **Assignee:** **Mikron Industries, Inc.**, Kent, WA (US)

5,522,196	A *	6/1996	Conroy et al.	52/223.9
D470,251	S *	2/2003	Cole	D25/125
D576,748	S *	9/2008	Schrader	D25/125
2004/0226232	A1 *	11/2004	Engebretson	52/204.1

* cited by examiner

(**) **Term:** **14 Years**

Primary Examiner — Doris Clark

(21) **Appl. No.:** **29/206,283**

(74) *Attorney, Agent, or Firm* — Black, Lowe & Grarham
PLLC; Michael J. Folise

(22) **Filed:** **May 27, 2004**

(57) **CLAIM**

The ornamental design for a window component extrusion, as shown and described.

(51) **LOC (9) Cl.** **25-01**

DESCRIPTION

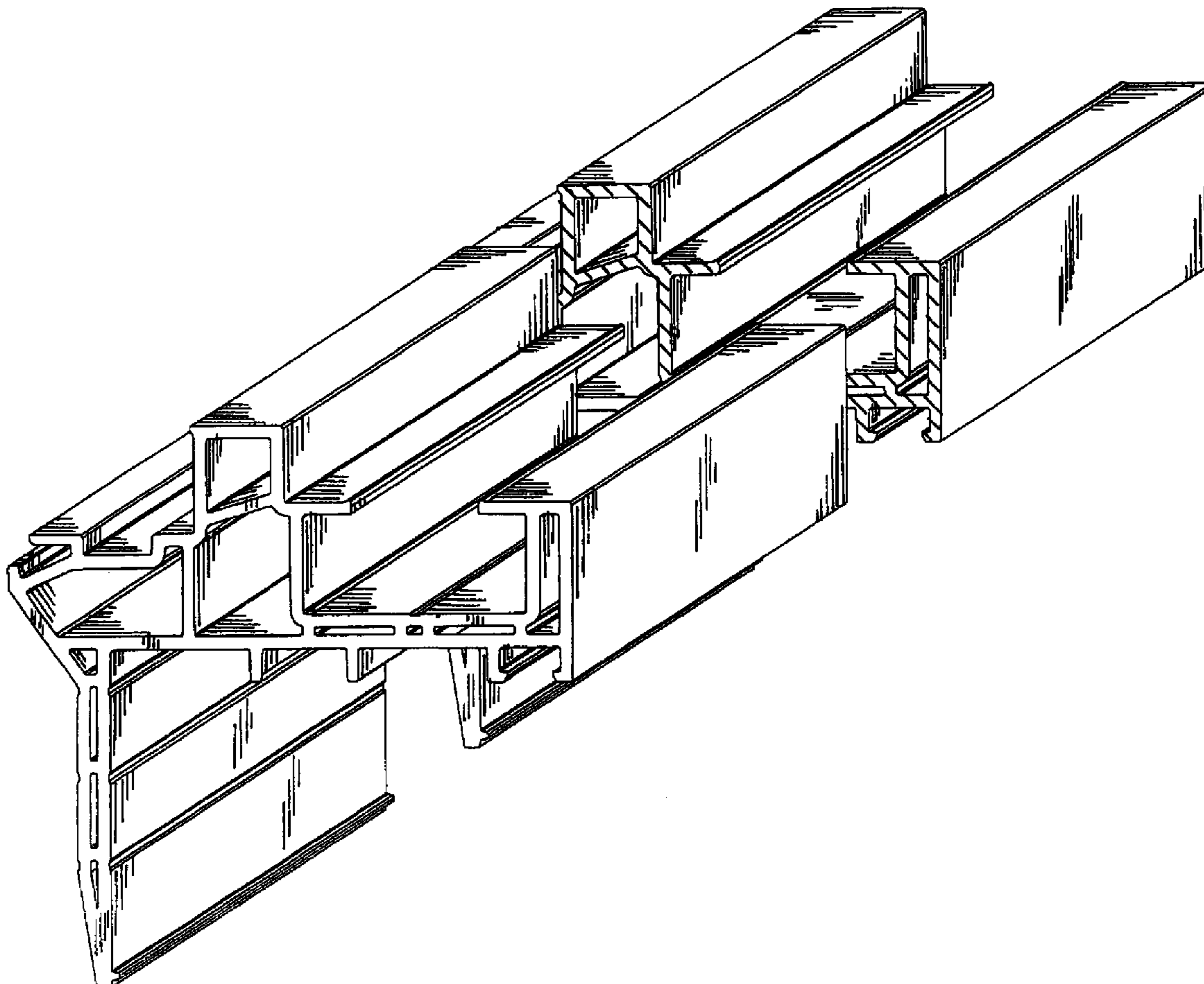
(52) **U.S. Cl.** **D25/125**

(58) **Field of Classification Search** D25/119,
D25/124, 125; 52/204.1, 204.2, 204.5, 204.51,
52/656.5, 656.6, 213, 215, 208, 206, 212,
52/717.01, 209, 204.72, 579; 49/DIG. 2,
49/504, 501, 449, 180, 183; 160/91

FIG. 1 is a top right isometric perspective view of the window component extrusion which is broken in the center indicating indefinite length; and, FIG. 2 is a bottom left isometric perspective view of the window component extrusion shown in FIG. 1.

See application file for complete search history.

1 Claim, 2 Drawing Sheets



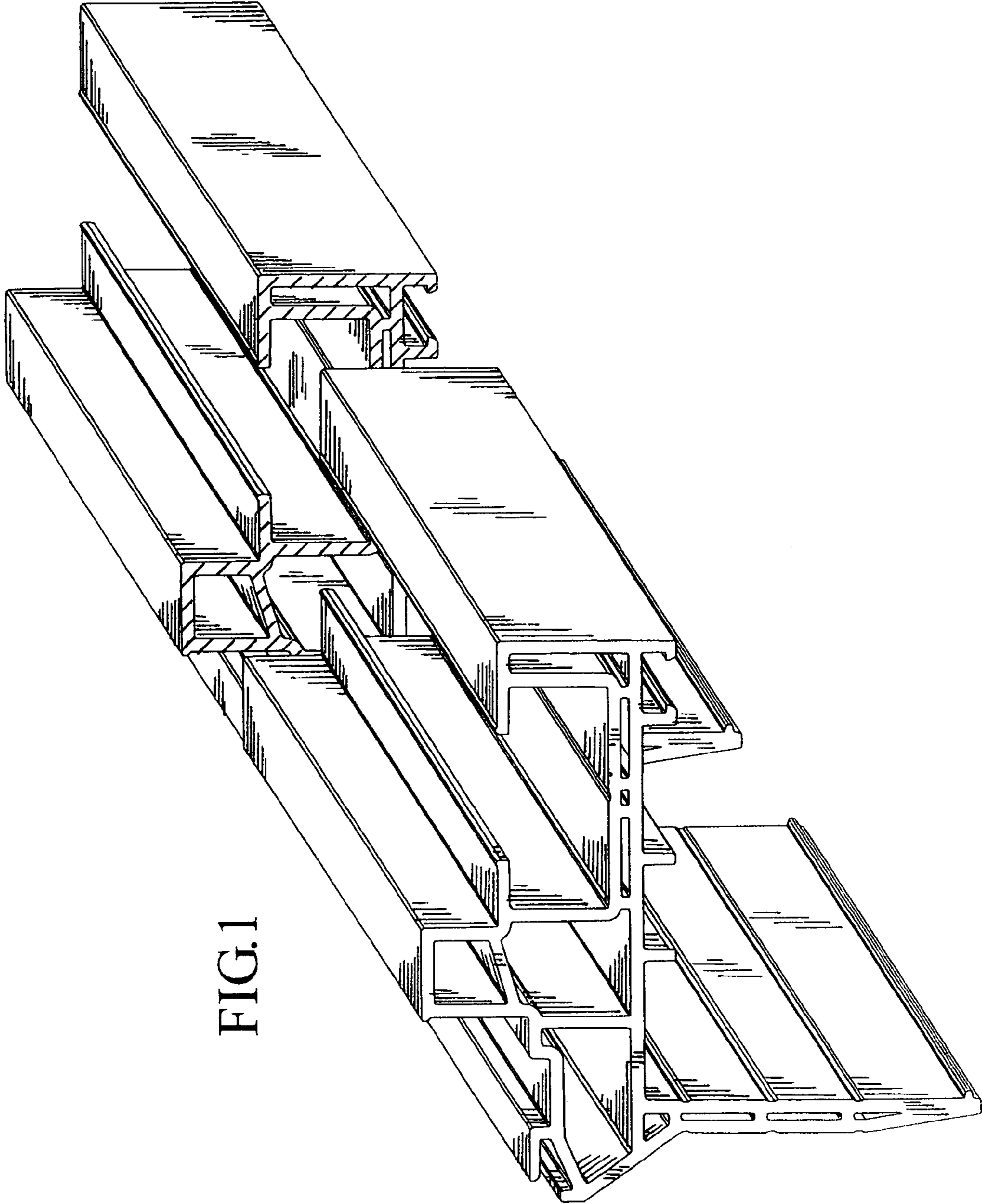


FIG. 1

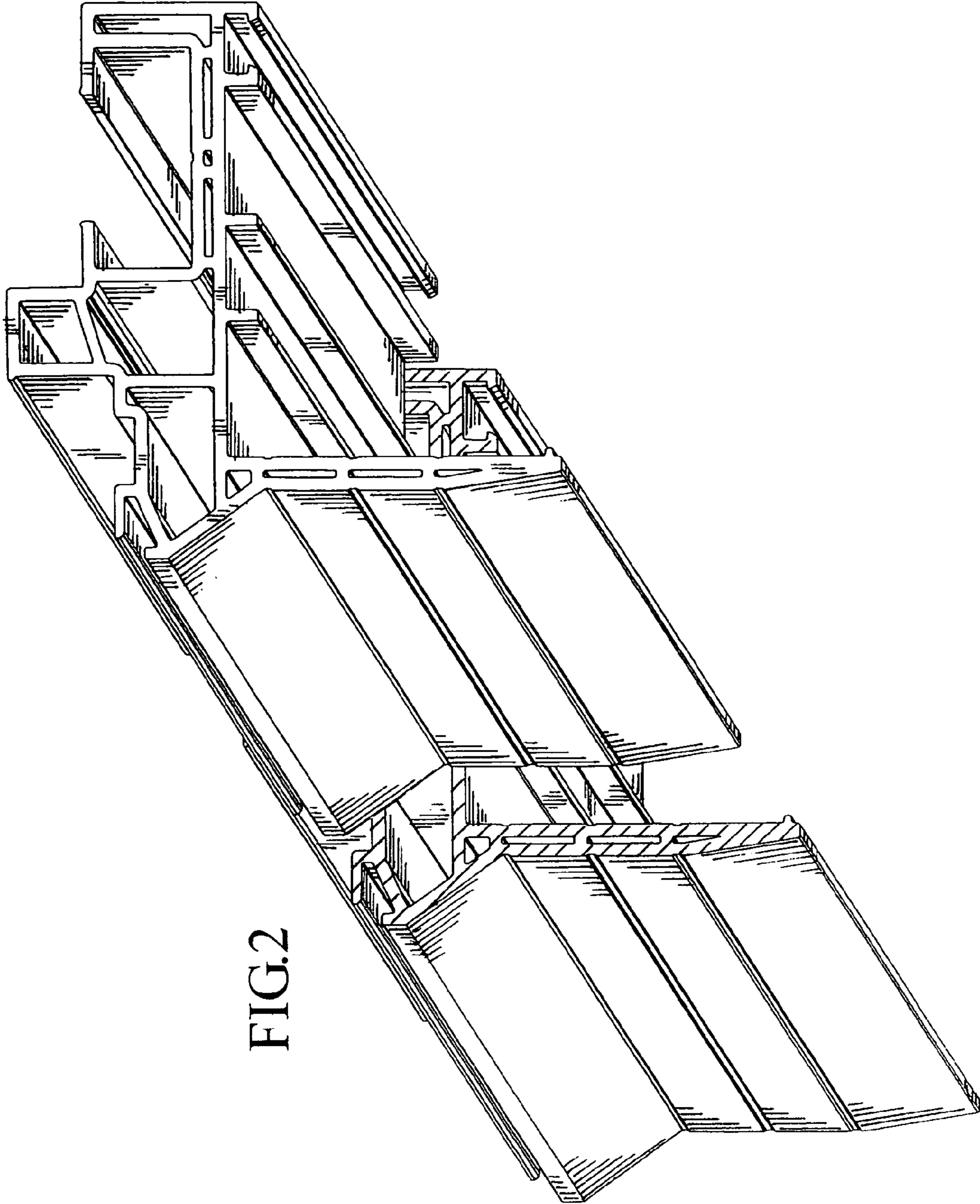


FIG.2