



US00D645163S

(12) **United States Design Patent**
Arseniu et al.

(10) **Patent No.:** **US D645,163 S**

(45) **Date of Patent:** **** Sep. 13, 2011**

(54) **DECORATIVE CONCRETE PANEL**

(76) Inventors: **Harry Arseniu**, Burnham, PA (US);
Samuel L. King, Loysville, PA (US)

(**) Term: **14 Years**

(21) Appl. No.: **29/363,224**

(22) Filed: **Jun. 7, 2010**

(51) **LOC (9) Cl.** **25-01**

(52) **U.S. Cl.** **D25/113**

(58) **Field of Classification Search** D25/102,
D25/112-118, 136, 138, 151, 152, 158, 162,
D25/164, 199; D21/484-491, 499-504;
405/16, 284, 286; 52/503-505, 574, 575,
52/596-612, 311.2, 311.3, 314, 315; 404/27-42;
47/33

See application file for complete search history.

(56) **References Cited**

U.S. PATENT DOCUMENTS

2,130,911 A * 9/1938 Teunon 52/315
D133,920 S * 9/1942 Beeson D25/151
D477,419 S * 7/2003 Manthei D25/113

D497,013 S * 10/2004 Hughes D25/151
D595,872 S * 7/2009 Dunn D25/164
D618,367 S * 6/2010 Schwarz et al. D25/151
D636,093 S * 4/2011 Mugge et al. D25/113
2004/0031221 A1* 2/2004 Girard 52/245
2005/0144883 A1* 7/2005 Hopson et al. 52/596
2005/0210811 A1* 9/2005 Nasvik 52/596

* cited by examiner

Primary Examiner — Anhdao Doan

(74) *Attorney, Agent, or Firm* — Buchanan Ingersoll & Rooney PC

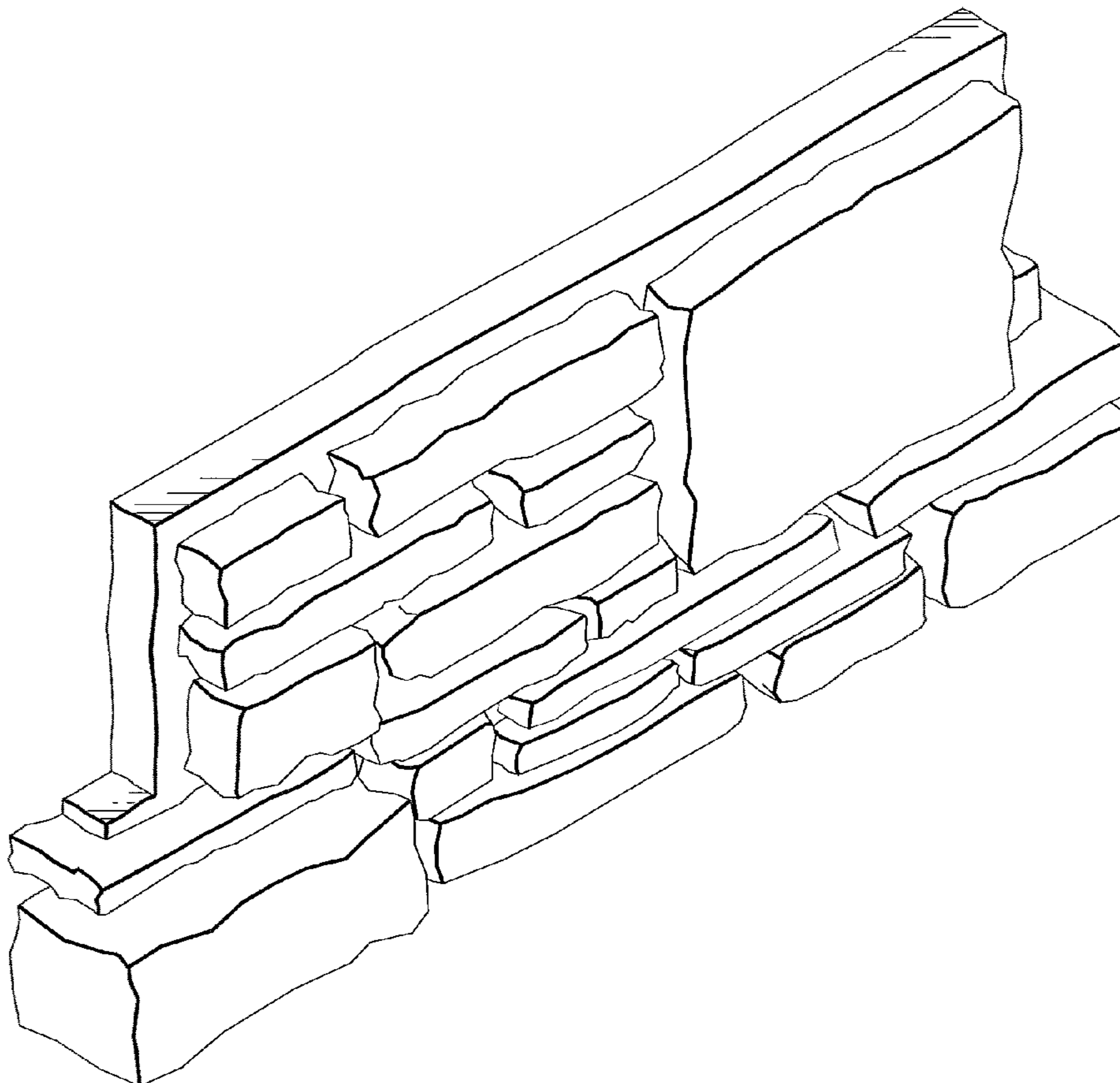
(57) **CLAIM**

The ornamental design for a decorative concrete panel, as shown and described.

DESCRIPTION

FIG. 1 is an isometric view of our decorative concrete panel; FIG. 2 is a front view of our decorative concrete panel; FIG. 3 is a back view of our decorative concrete panel; FIG. 4 is a left side view of our decorative concrete panel; FIG. 5 is a right side view of our decorative concrete panel; FIG. 6 is a top view of our decorative concrete panel; and, FIG. 7 is a bottom view of the decorative concrete panel.

1 Claim, 3 Drawing Sheets



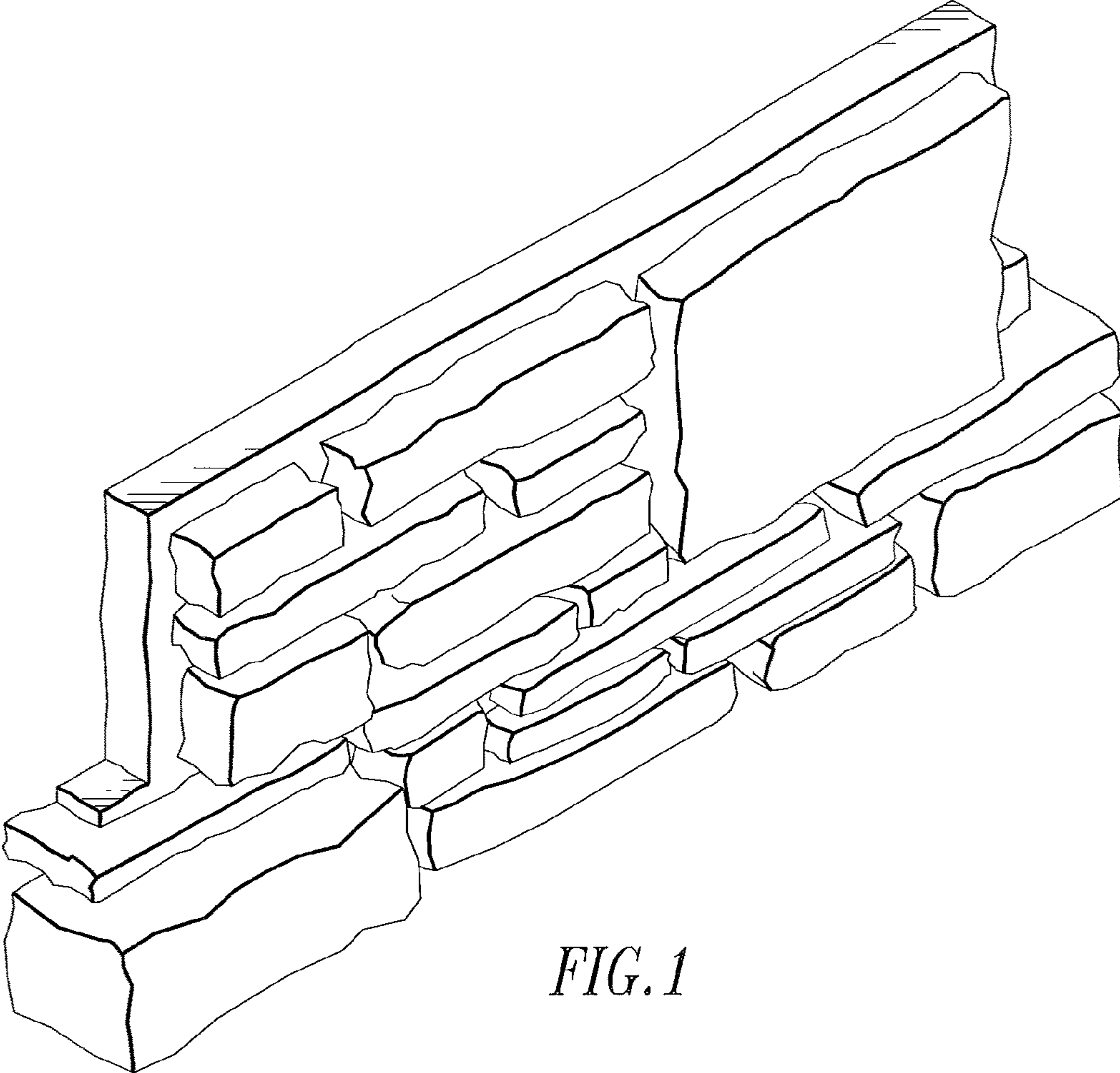


FIG. 1

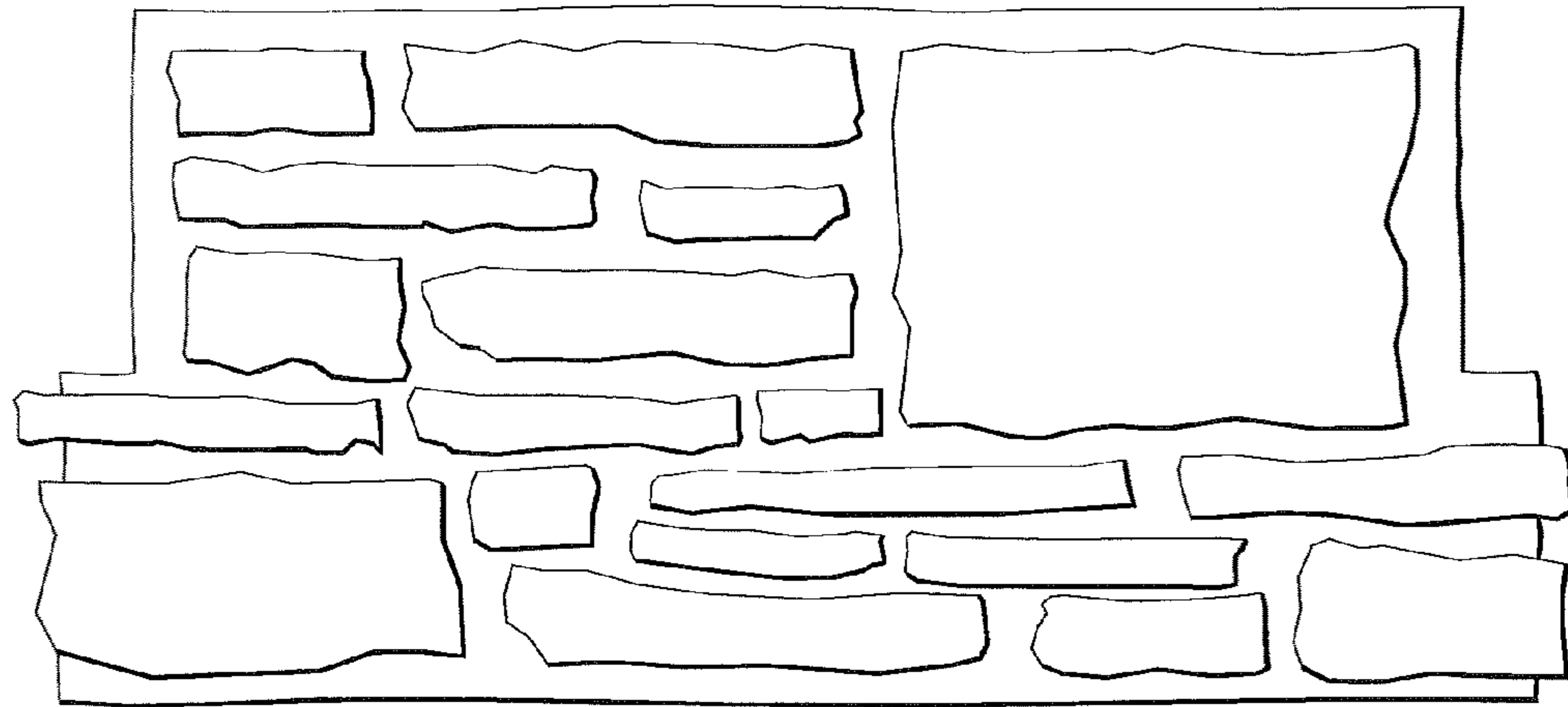


FIG. 2

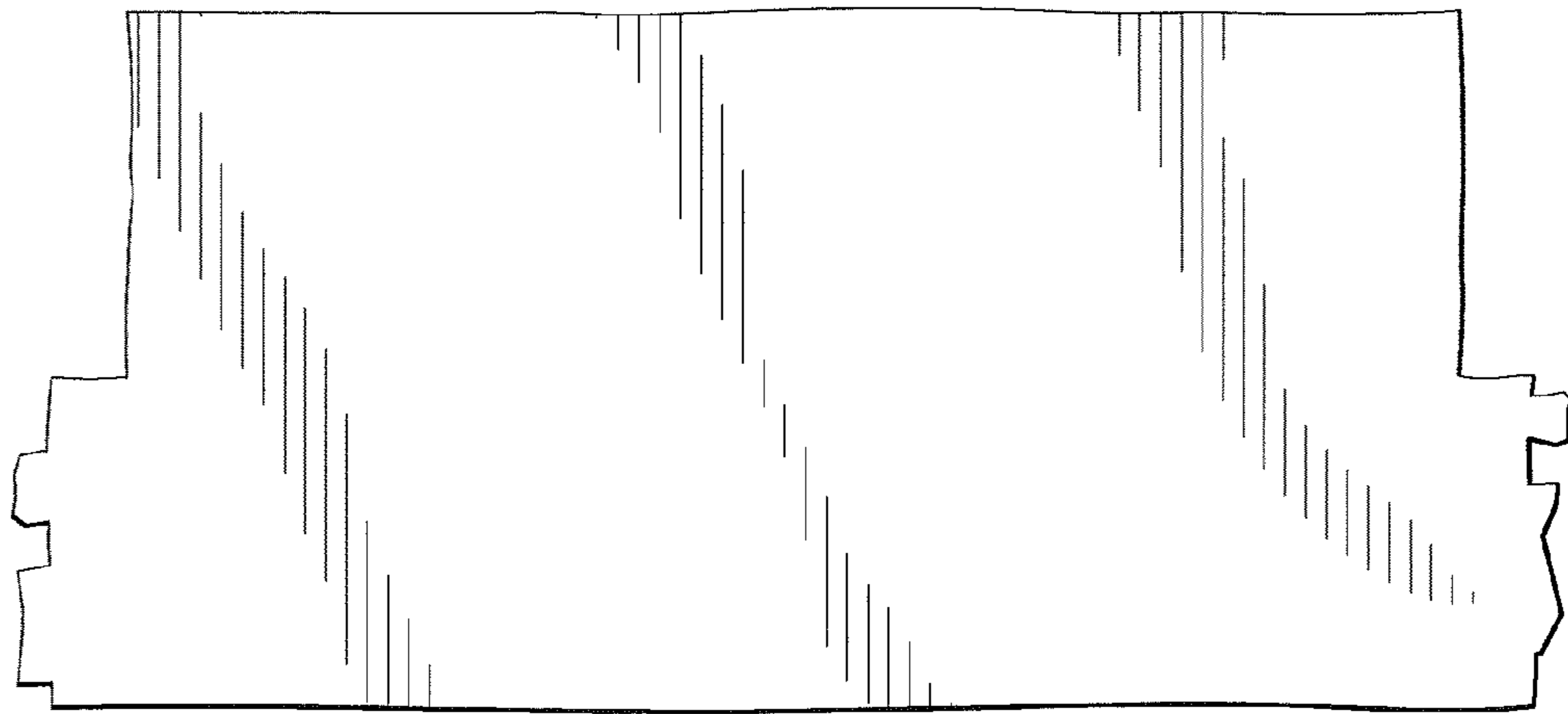


FIG. 3

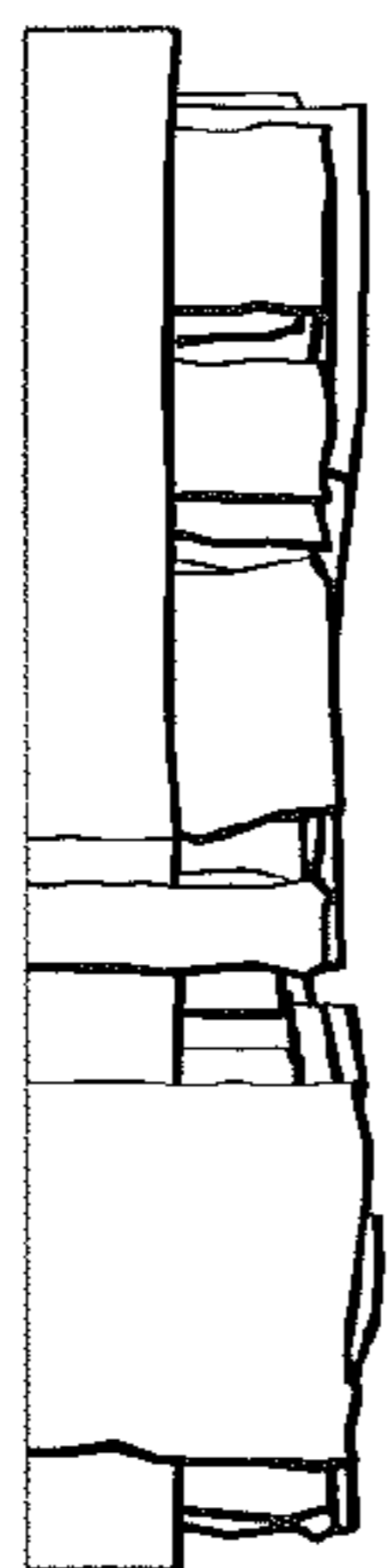


FIG. 4

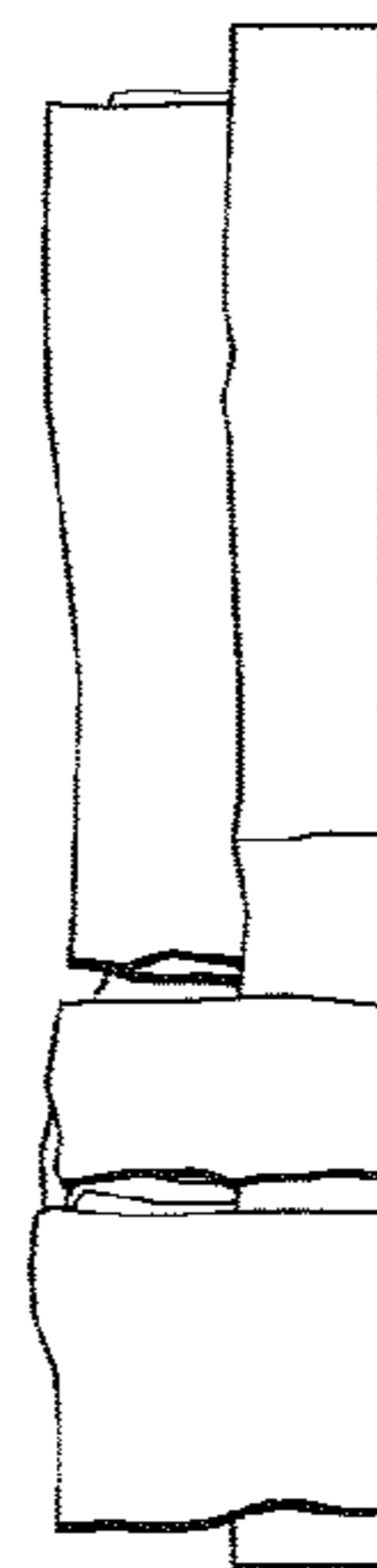


FIG. 5

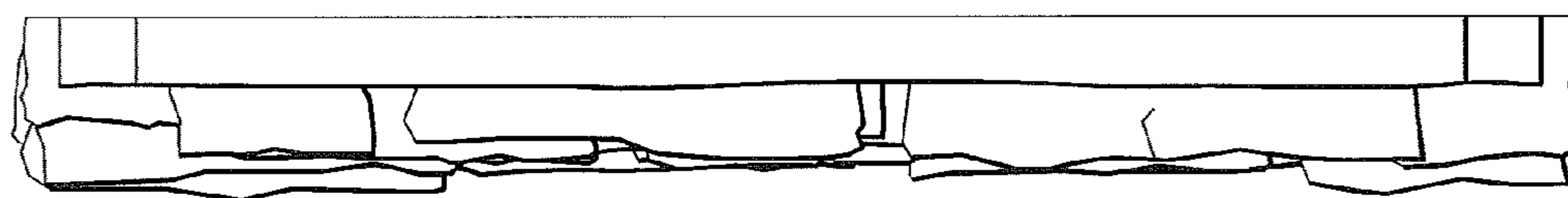


FIG. 6

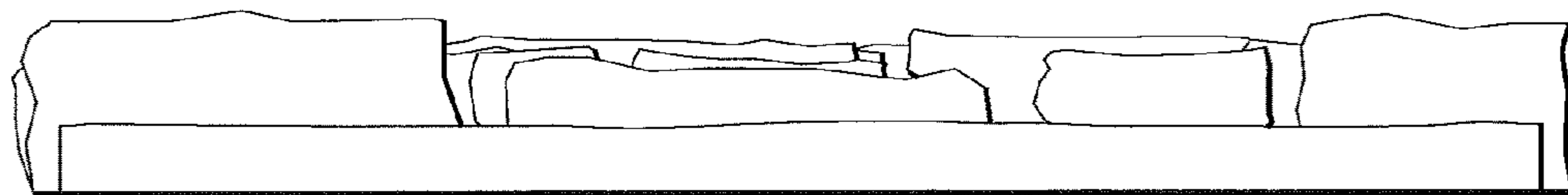


FIG. 7