



US00D645162S

(12) **United States Design Patent**
Martell

(10) **Patent No.:** **US D645,162 S**

(45) **Date of Patent:** **** Sep. 13, 2011**

(54) **POOL COVERING SYSTEM**

(76) Inventor: **Dave Martell**, Tucson, AZ (US)

(**) Term: **14 Years**

(21) Appl. No.: **29/357,388**

(22) Filed: **Mar. 11, 2010**

(51) **LOC (9) Cl.** **25-03**

(52) **U.S. Cl.** **D25/2**

(58) **Field of Classification Search** D25/1,
D25/2; 52/71; 4/498, 502-503; 242/331,
242/395

See application file for complete search history.

(56) **References Cited**

U.S. PATENT DOCUMENTS

951,718	A *	3/1910	Arnsdorff	242/403
2,958,083	A *	11/1960	Shook et al.	4/502
3,050,743	A *	8/1962	Lamb	4/502
3,076,975	A *	2/1963	Lamb	4/502
3,574,979	A *	4/1971	Chan	52/2.21
3,747,132	A *	7/1973	Foster	4/502
4,195,370	A *	4/1980	Budd	4/502
4,203,174	A *	5/1980	Schults	4/502
D259,663	S *	6/1981	Sovernigo	D25/2
4,324,370	A *	4/1982	Guard et al.	242/403
4,407,027	A *	10/1983	Colon, Jr.	4/502
4,459,711	A *	7/1984	Sartain et al.	4/502
4,494,256	A *	1/1985	Radtke et al.	4/502
4,939,798	A *	7/1990	Last	4/502
5,425,143	A *	6/1995	Kalandovsky	4/502
5,701,613	A	12/1997	Richardson	
6,014,778	A *	1/2000	Varnado	4/502
6,026,522	A *	2/2000	Last	4/502
6,431,488	B1 *	8/2002	Zemla et al.	242/388.6
D477,813	S *	7/2003	Droulin et al.	D13/162.1

6,618,869	B1 *	9/2003	Jacobs	4/502
6,769,142	B2 *	8/2004	Ragsdale et al.	4/502
6,871,362	B1 *	3/2005	Zell	4/502
6,886,188	B2 *	5/2005	Epple et al.	4/502
6,931,673	B1 *	8/2005	Savage, Jr.	4/502
7,107,724	B2 *	9/2006	Suprina et al.	52/9
2009/0025134	A1 *	1/2009	Stephens	4/498
2010/0170032	A1 *	7/2010	Sproatt et al.	4/502
2010/0199417	A1 *	8/2010	Shebek	4/502

* cited by examiner

Primary Examiner — T. Chase Nelson

Assistant Examiner — Kathleen M Sims

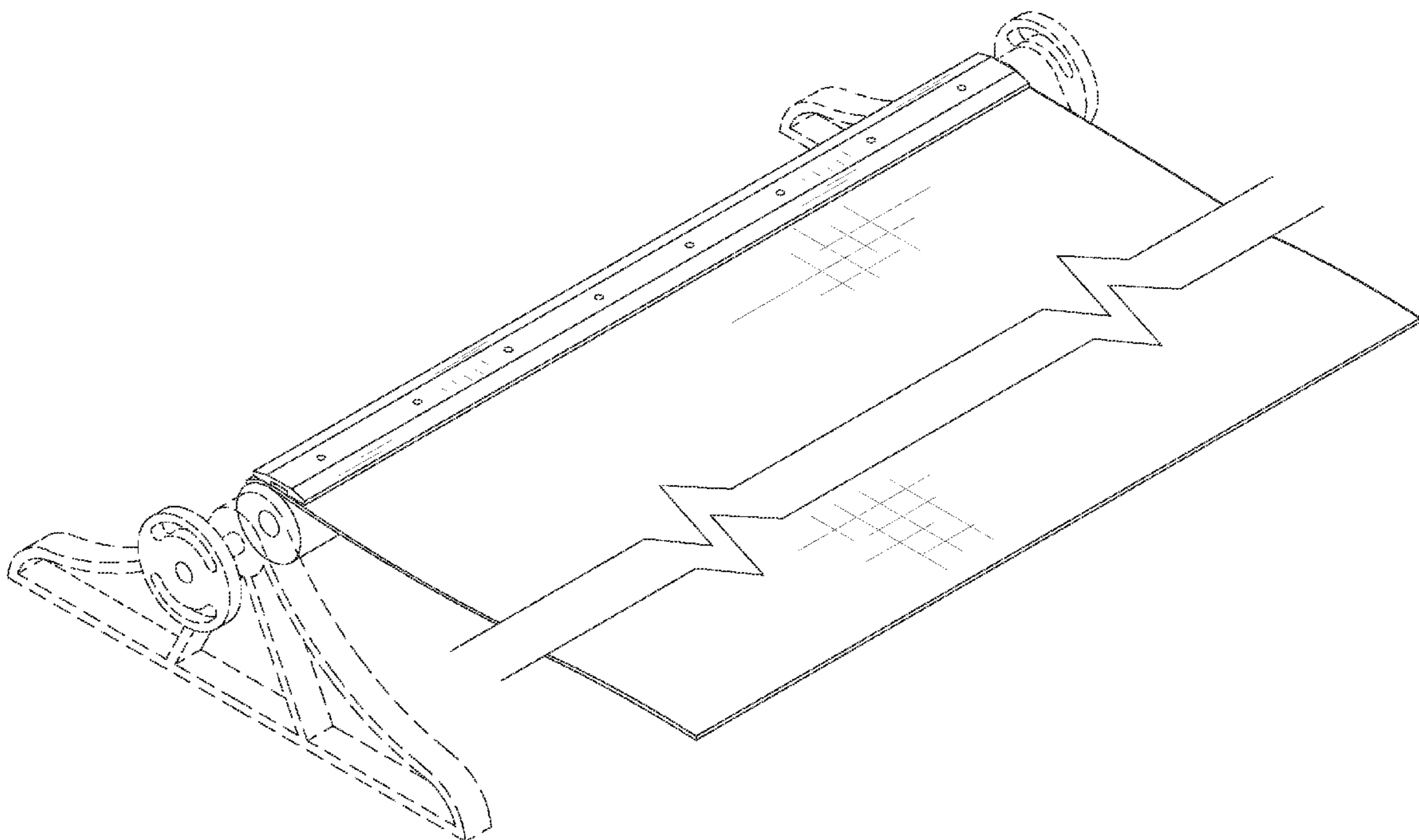
(57) **CLAIM**

The ornamental design for a pool covering system, as shown and described.

DESCRIPTION

FIG. 1 is a perspective view of a pool covering system showing my new design;
 FIG. 2 is an exploded perspective view thereof;
 FIG. 3 is a top view thereof;
 FIG. 4 is a bottom view thereof;
 FIG. 5 is a front view thereof (back view is mirror image);
 and,
 FIG. 6 is a side view thereof (opposite side view is mirror image).
 In FIG. 1, the broken lines showing of environmental structure for purposes of illustrating the pool covering system in a condition of use. The broken lines and the structure they depict form no part of the claimed design.

1 Claim, 5 Drawing Sheets



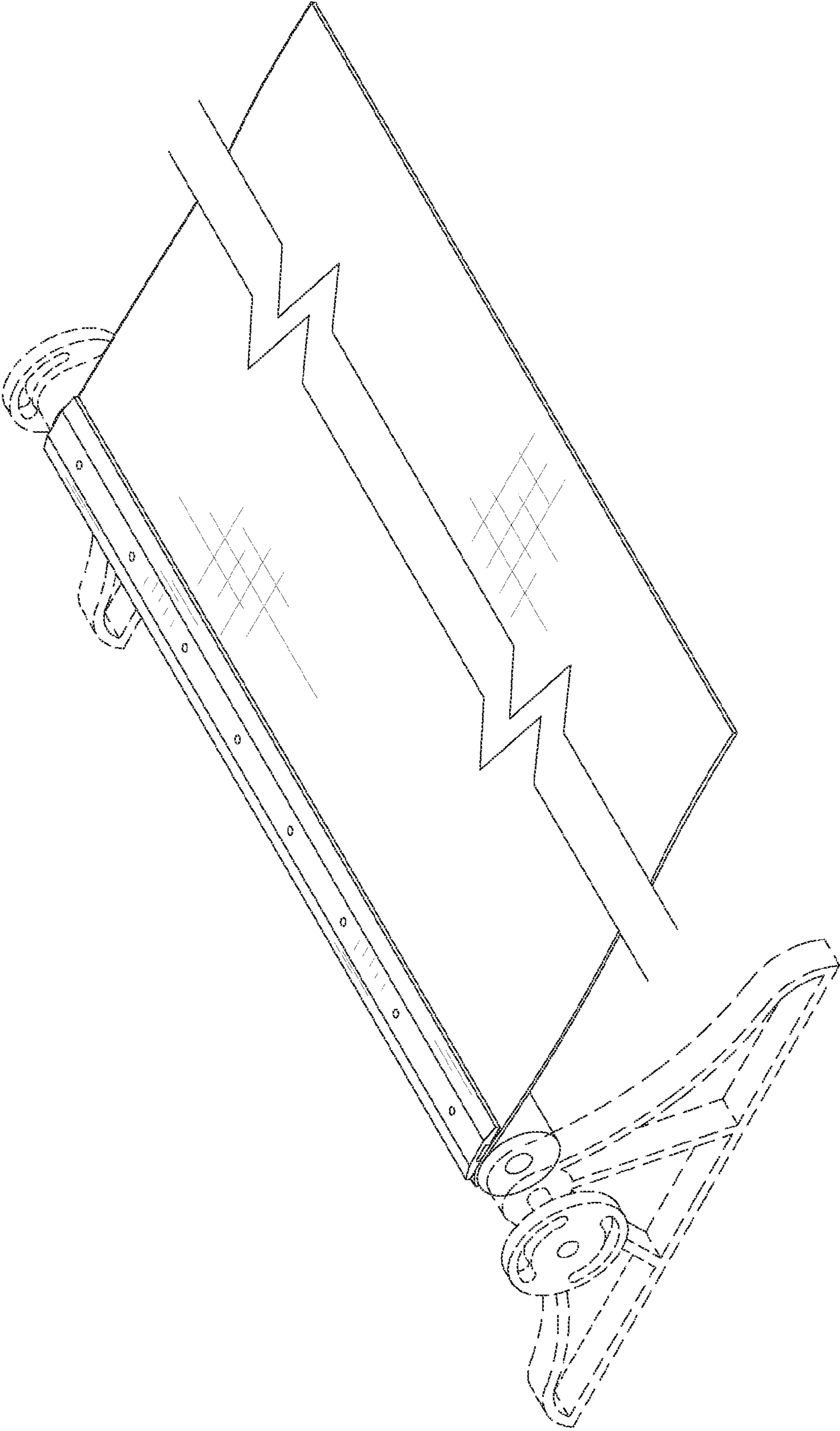


FIG. 1

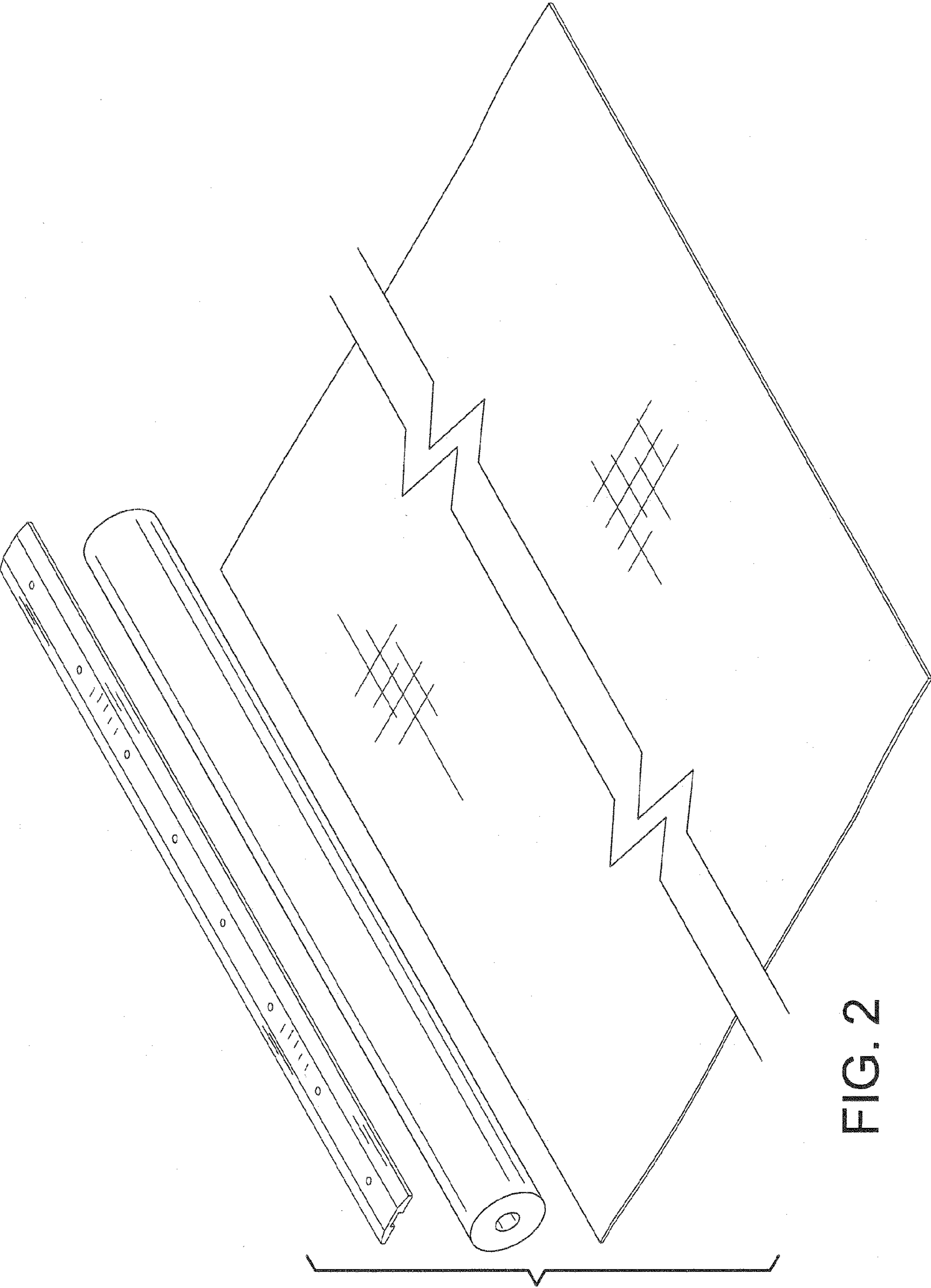


FIG. 2

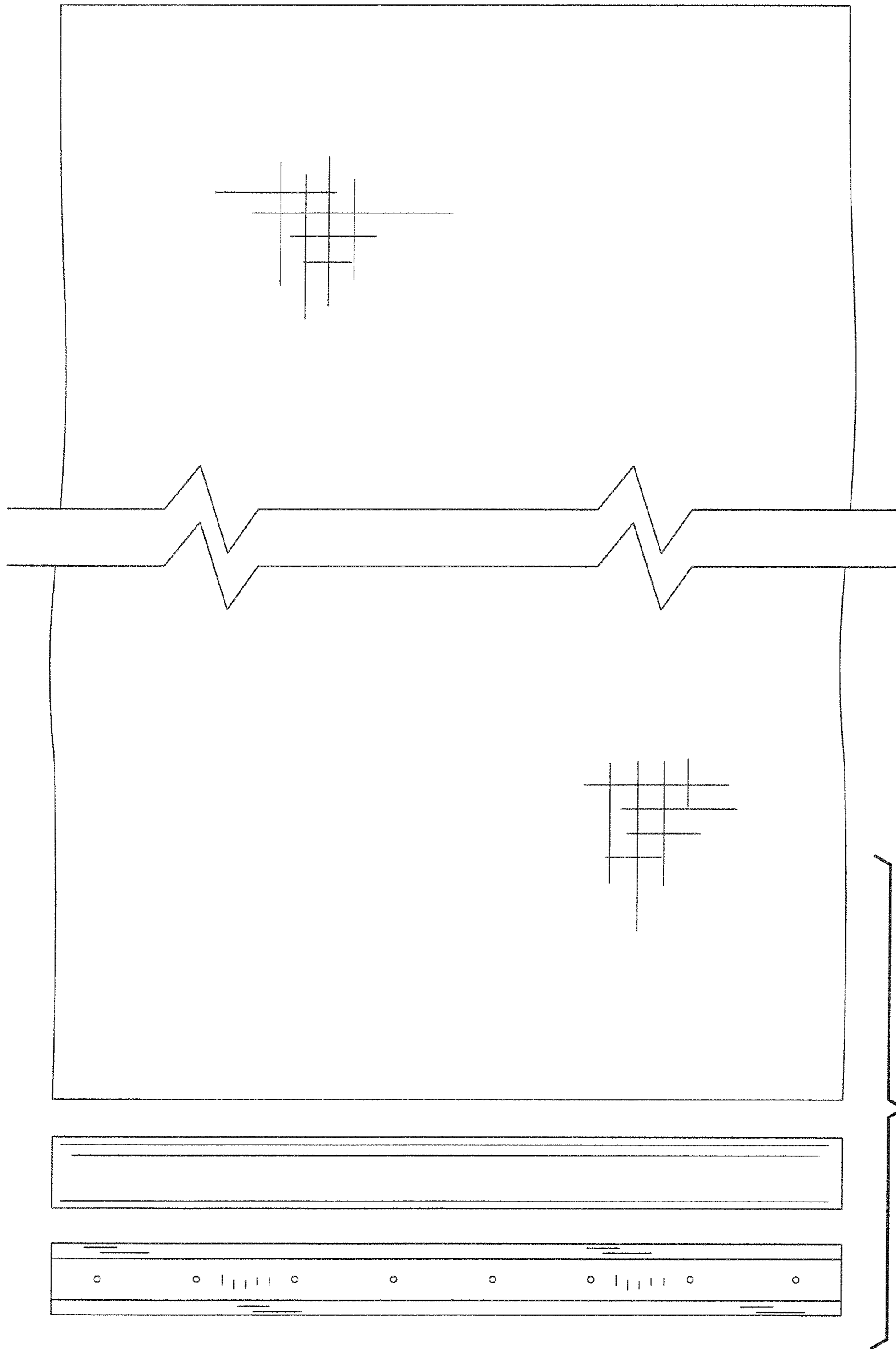


FIG. 3

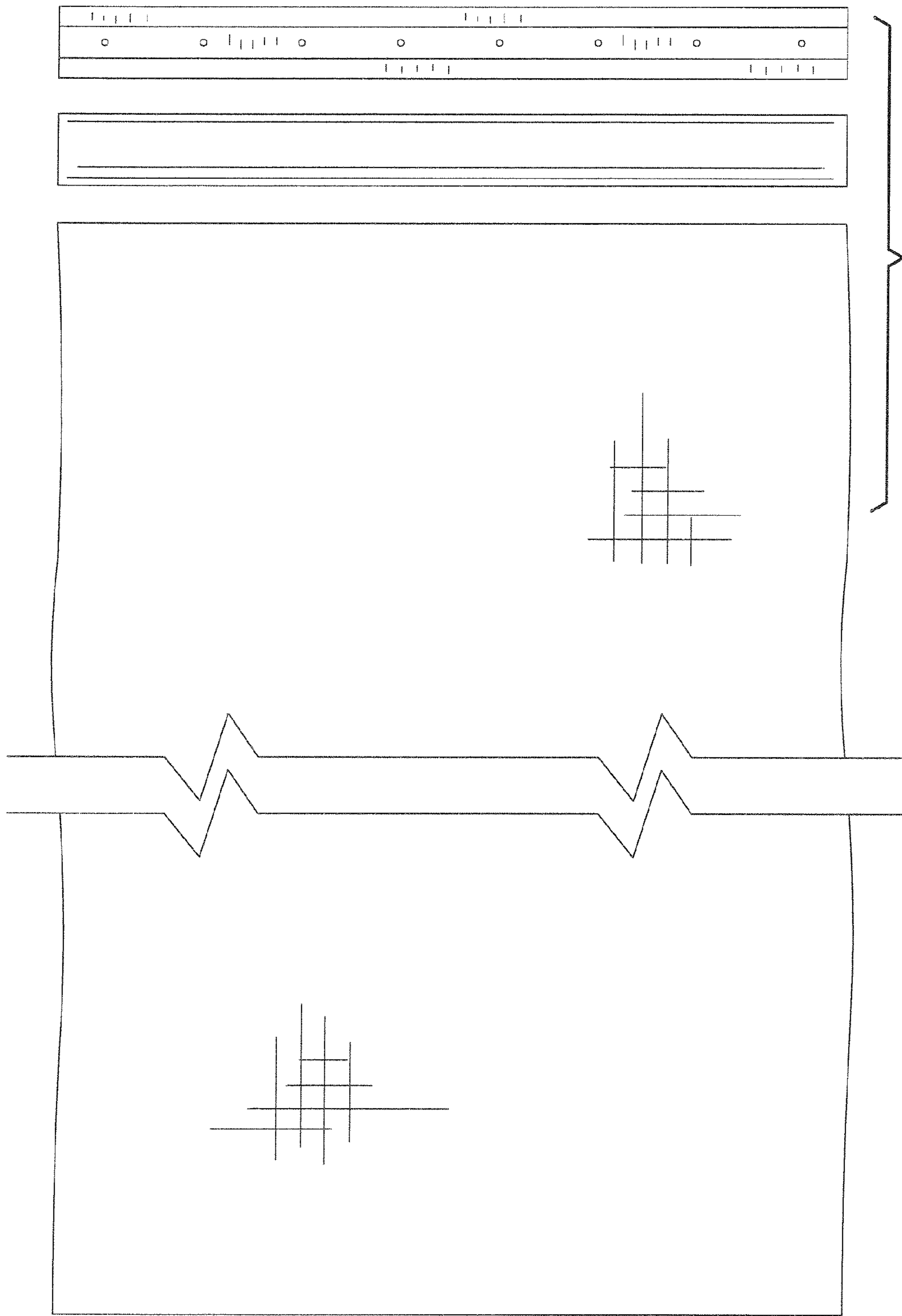


FIG. 4

