



US00D645161S

(12) **United States Design Patent**
Loken

(10) **Patent No.:** **US D645,161 S**

(45) **Date of Patent:** **** Sep. 13, 2011**

(54) **MOVING BED BIOREACTOR CARRIER**

(75) **Inventor:** **Strahan Loken, Victoria (CA)**

(73) **Assignee:** **Headworks Bio Inc., Houston, TX (US)**

(**) **Term:** **14 Years**

(21) **Appl. No.:** **29/377,910**

(22) **Filed:** **Oct. 27, 2010**

(51) **LOC (9) Cl.** **24-02**

(52) **U.S. Cl.** **D24/232; D23/209; D25/122**

(58) **Field of Classification Search** D24/162,
D24/216, 217, 220, 224, 226-233; D25/121-122,
D25/126, 61; D23/207, 209, 365; 52/720.1,
52/730.4, 731.2, 732.1, 737.6; 210/493.1,
210/493.3, 493.5, 165, 510.1, 150; 435/174,
435/176; D8/107

See application file for complete search history.

(56) **References Cited**

U.S. PATENT DOCUMENTS

D232,174 S *	7/1974	La Borde	D23/209
D232,236 S *	7/1974	La Borde	D23/209
D232,237 S *	7/1974	La Borde	D23/209
D232,238 S *	7/1974	La Borde	D23/209
D244,530 S *	5/1977	Bell	D23/209
D255,153 S *	5/1980	Meurer	D24/226
D331,793 S *	12/1992	Erwes	D23/209
5,198,007 A *	3/1993	Moyer et al.	210/510.1
5,618,412 A *	4/1997	Herding et al.	210/150
D399,300 S *	10/1998	Goodson	D23/209
D419,215 S *	1/2000	Kim	D23/209

D465,257 S *	11/2002	Van Olst et al.	D23/207
6,908,753 B1 *	6/2005	Maekawa	435/176
D515,222 S *	2/2006	Kieffer	D25/122
D548,357 S *	8/2007	Barbera-Guillem	D24/216
D574,923 S *	8/2008	Crawford et al.	D23/209
D597,190 S *	7/2009	Badash	D23/365
D603,241 S *	11/2009	Pearce	D8/107
2009/0111156 A1 *	4/2009	Uemoto et al.	435/174
2010/0326907 A1 *	12/2010	Gavrieli et al.	210/615

* cited by examiner

Primary Examiner — T. Chase Nelson

Assistant Examiner — Mark Cavanna

(74) *Attorney, Agent, or Firm* — Fletcher Yoder

(57) **CLAIM**

I claim the ornamental design for a moving bed bioreactor carrier, as shown and described.

DESCRIPTION

FIG. 1 is a perspective view of the moving bed bioreactor carrier of the present invention;

FIG. 2 is a front elevational view of the moving bed bioreactor carrier of FIG. 1, the rear elevational view being a minor image of the front elevational view shown;

FIG. 3 is a left side view of the moving bed bioreactor carrier of FIG. 1, the right side view, top view and bottom views being identical to the left side view shown; and,

FIG. 4 is a perspective view of a second embodiment of the moving bed bioreactor carrier shown broken away with the specific length of the moving bed bioreactor carrier forming no part of the claimed design.

1 Claim, 2 Drawing Sheets

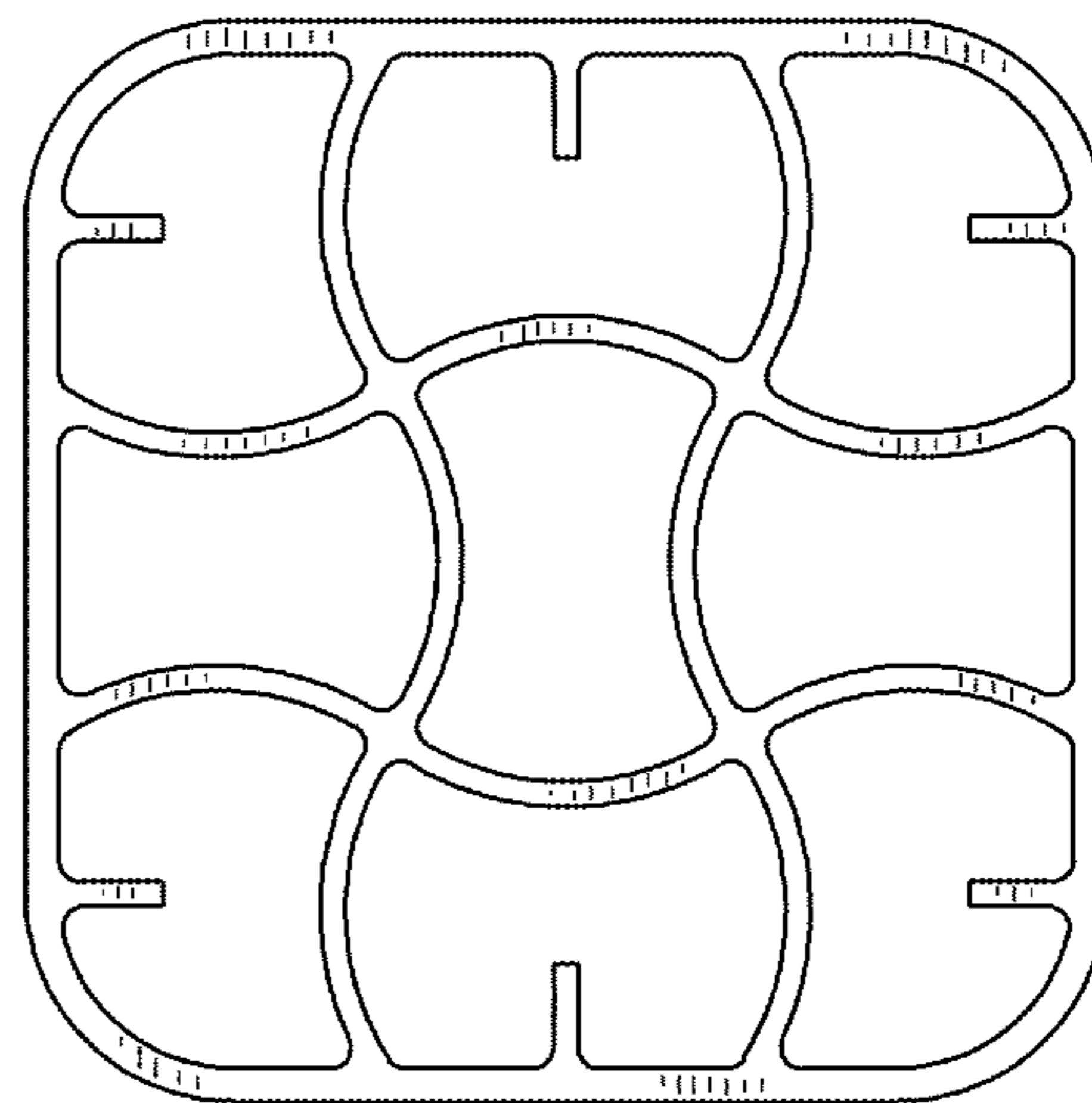
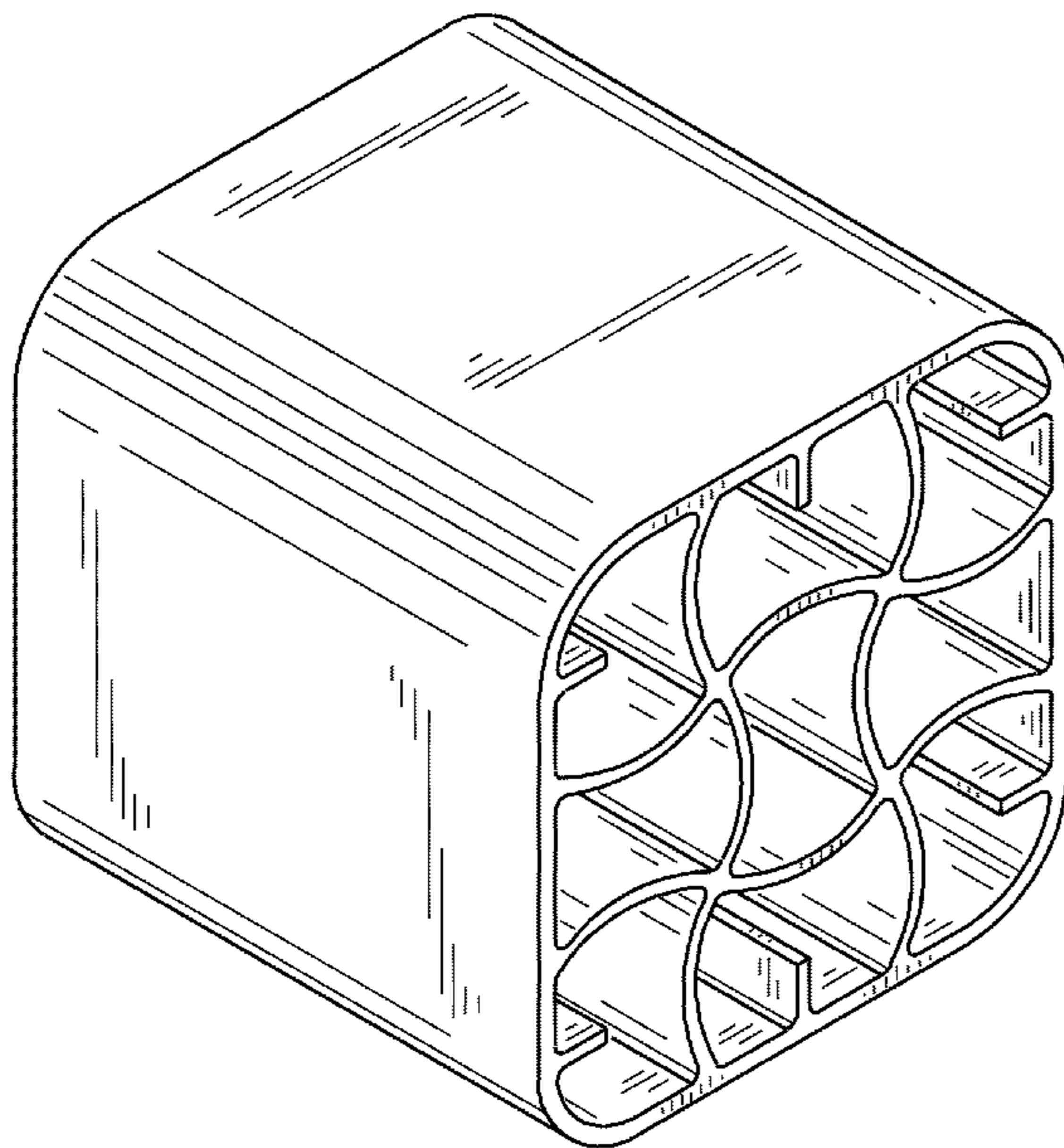


FIG. 1

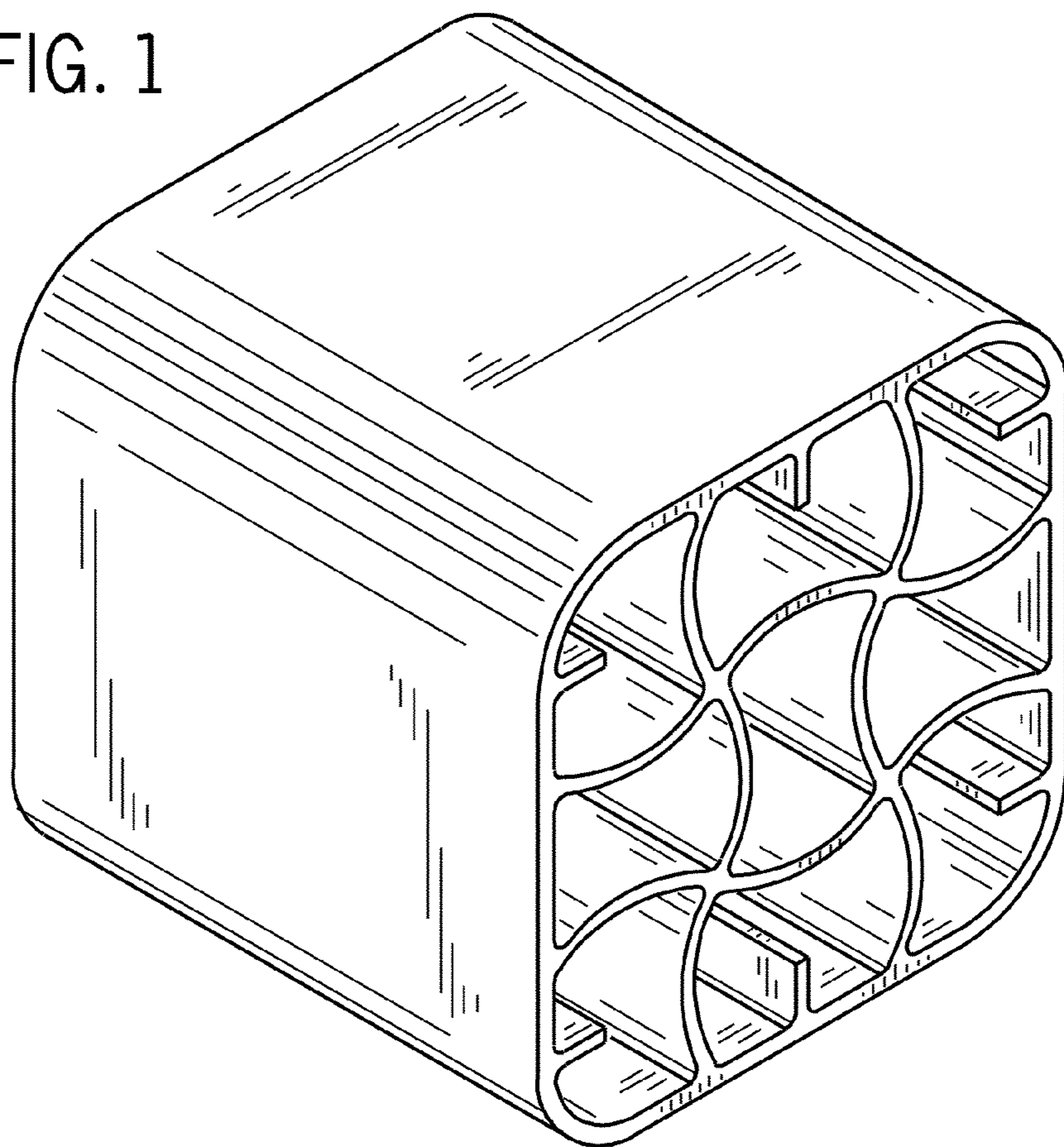
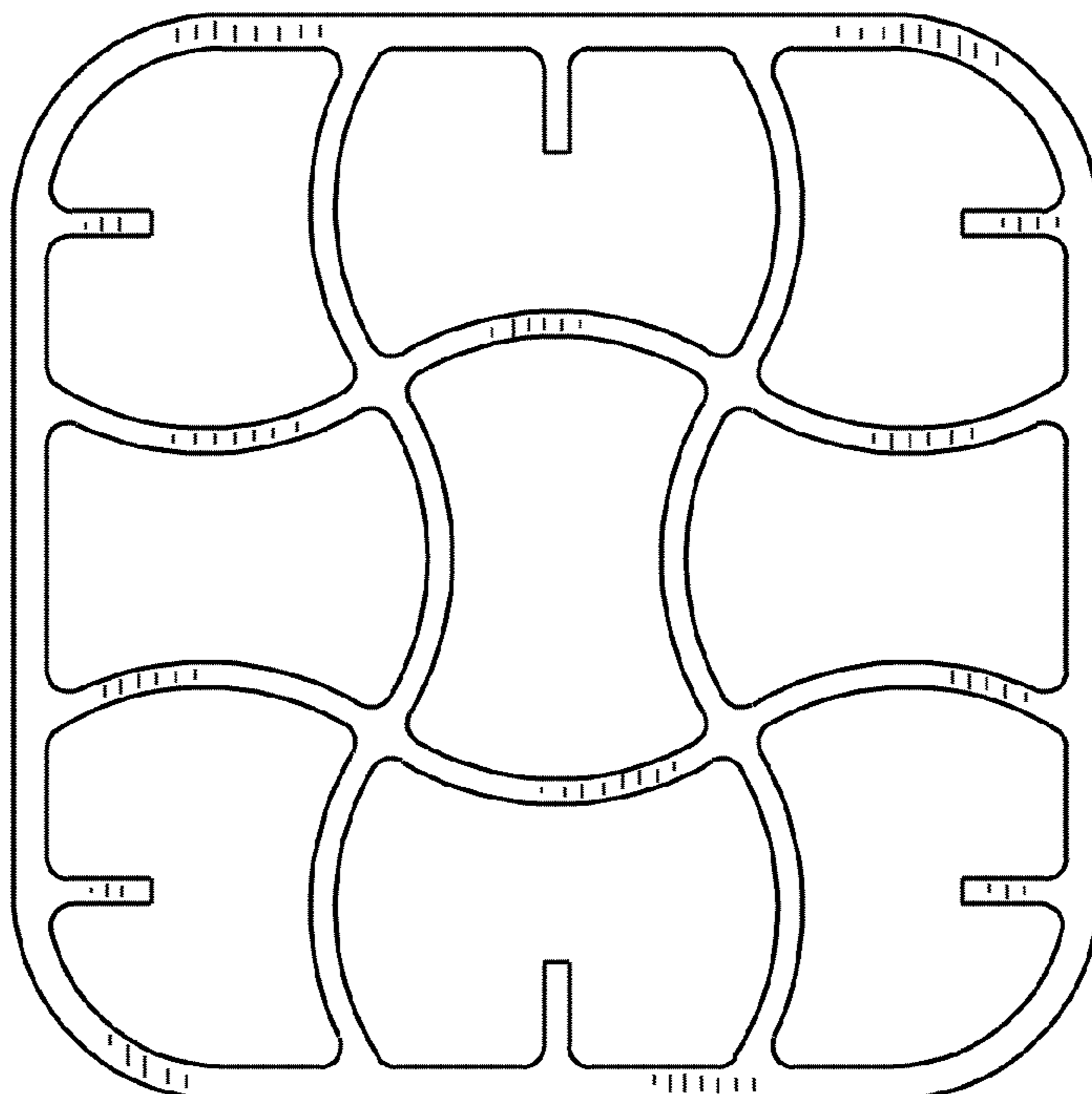


FIG. 2



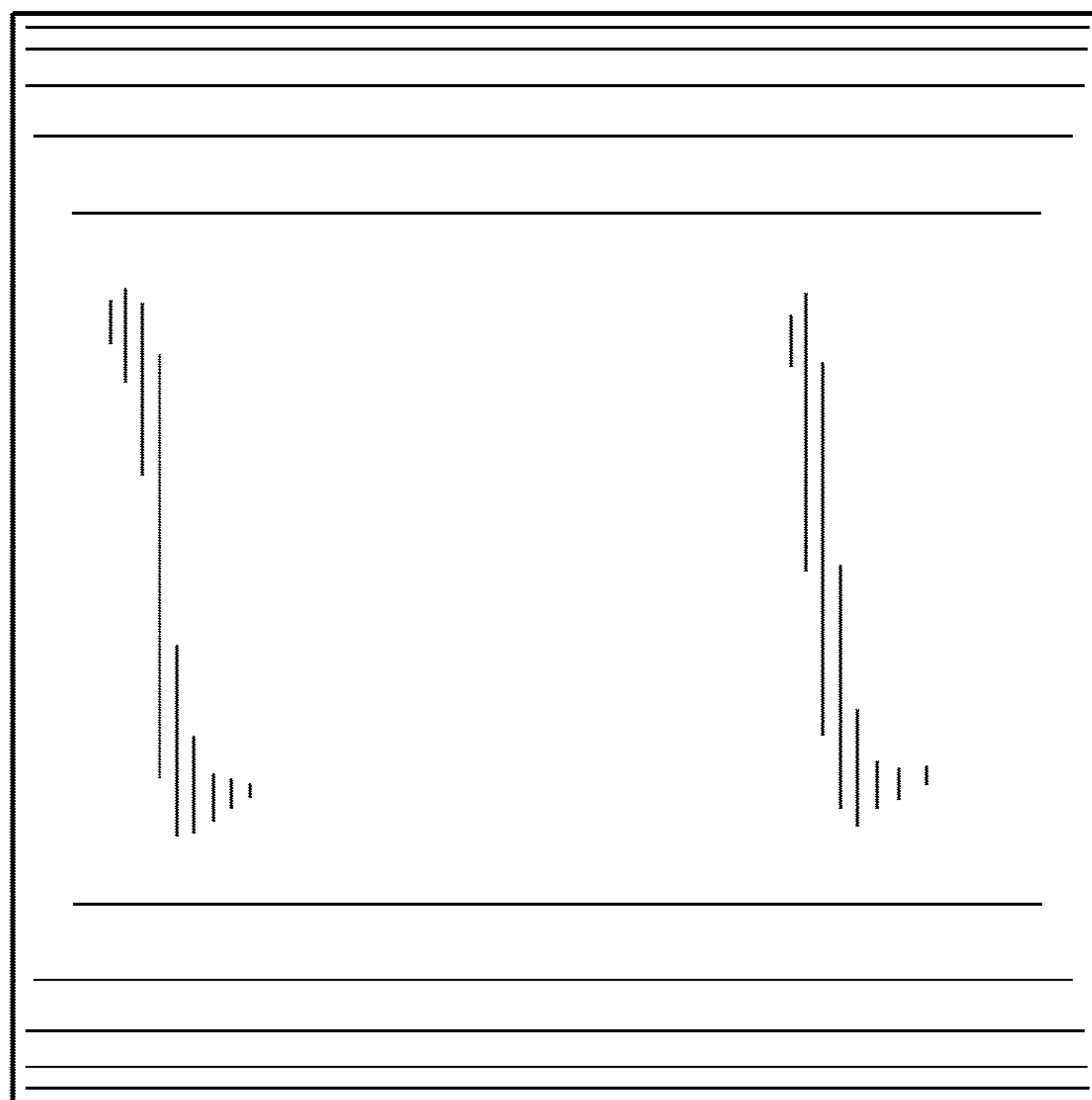


FIG. 3

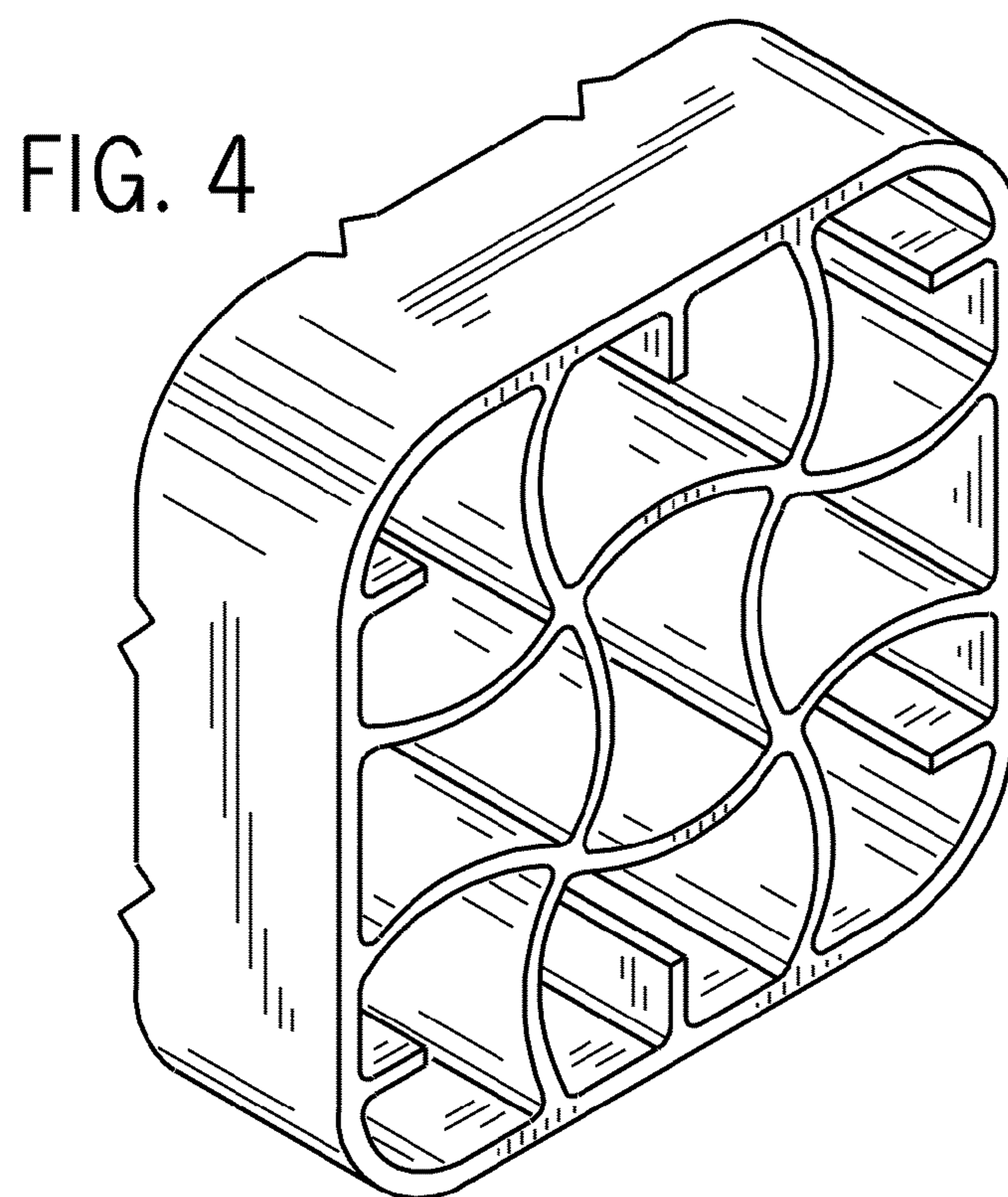


FIG. 4