



US00D645160S

(12) **United States Design Patent**
Loken

(10) **Patent No.:** **US D645,160 S**

(45) **Date of Patent:** **** Sep. 13, 2011**

- (54) **MOVING BED BIOREACTOR CARRIER**
- (75) Inventor: **Strahan Loken**, Victoria (CA)
- (73) Assignee: **Headworks Bio Inc.**, Houston, TX (US)
- (**) Term: **14 Years**
- (21) Appl. No.: **29/377,907**
- (22) Filed: **Oct. 27, 2010**
- (51) **LOC (9) Cl.** **24-02**
- (52) **U.S. Cl.** **D24/232; D23/209; D25/122**
- (58) **Field of Classification Search** D24/162,
D24/216, 217, 220, 224, 226-233; D25/119-125;
D23/207, 209, 365; 52/720.1, 730.4, 731.2,
52/732.1, 737.6; 210/493.1, 493.3, 493.5,
210/165, 510.1, 150; 435/174, 176; D8/107
See application file for complete search history.

6,908,753	B1 *	6/2005	Maekawa	435/176
D515,222	S *	2/2006	Kieffer	D25/122
D548,357	S *	8/2007	Barbera-Guillem	D24/216
D574,923	S *	8/2008	Crawford et al.	D23/209
D597,190	S *	7/2009	Badash	D23/365
D603,241	S *	11/2009	Pearce	D8/107
2009/0111156	A1 *	4/2009	Uemoto et al.	435/174
2010/0326907	A1 *	12/2010	Gavrieli et al.	210/615

* cited by examiner

Primary Examiner — T. Chase Nelson

Assistant Examiner — Mark Cavanna

(74) *Attorney, Agent, or Firm* — Fletcher Yoder

(57) **CLAIM**

I claim the ornamental design for a moving bed bioreactor carrier, as shown and described.

DESCRIPTION

FIG. 1 is a perspective view of the moving bed bioreactor carrier of the present invention;

FIG. 2 is a front elevational view of the moving bed bioreactor carrier of FIG. 1, the rear elevational view being a minor image of the front elevational view shown;

FIG. 3 is a left side view of the moving bed bioreactor carrier of FIG. 1, the right side view, top view and bottom views being identical to the left side view shown; and,

FIG. 4 is a perspective view of a second embodiment of the moving bed bioreactor carrier shown broken away with the specific length of the moving bed bioreactor carrier forming no part of the claimed design.

1 Claim, 2 Drawing Sheets

(56) **References Cited**

U.S. PATENT DOCUMENTS

D232,174	S *	7/1974	Laborde	D23/209
D232,236	S *	7/1974	Laborde	D23/209
D232,237	S *	7/1974	Laborde	D23/209
D232,238	S *	7/1974	Laborde	D23/209
D244,530	S *	5/1977	Bell	D23/209
D255,153	S *	5/1980	Meurer	D24/226
D331,793	S *	12/1992	Erwes	D23/209
5,198,007	A *	3/1993	Moyer et al.	210/510.1
5,618,412	A *	4/1997	Herding et al.	210/150
D399,300	S *	10/1998	Goodson	D23/209
D419,215	S *	1/2000	Kim	D23/209
D465,257	S *	11/2002	Van Olst et al.	D23/207

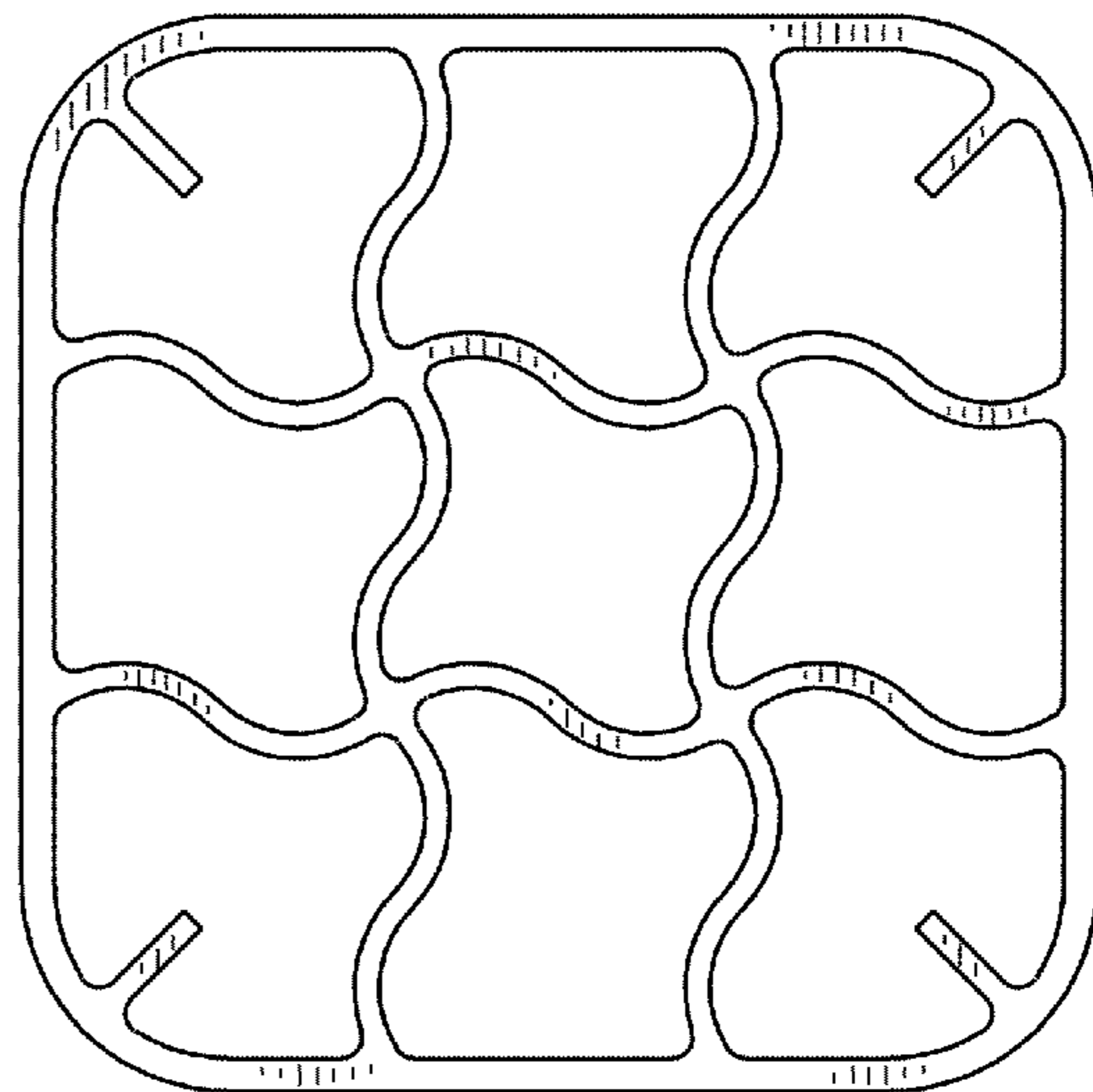
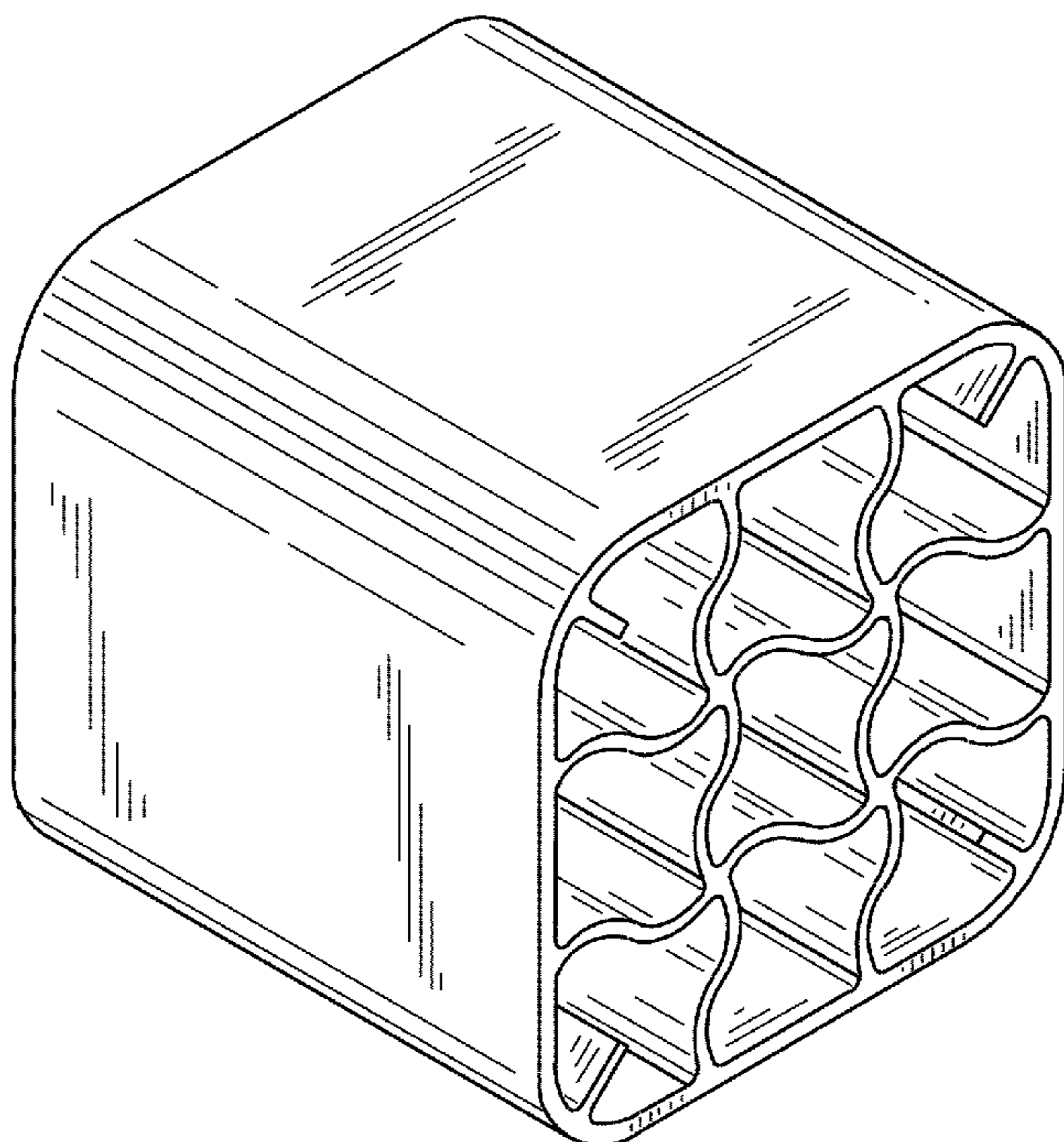


FIG. 1

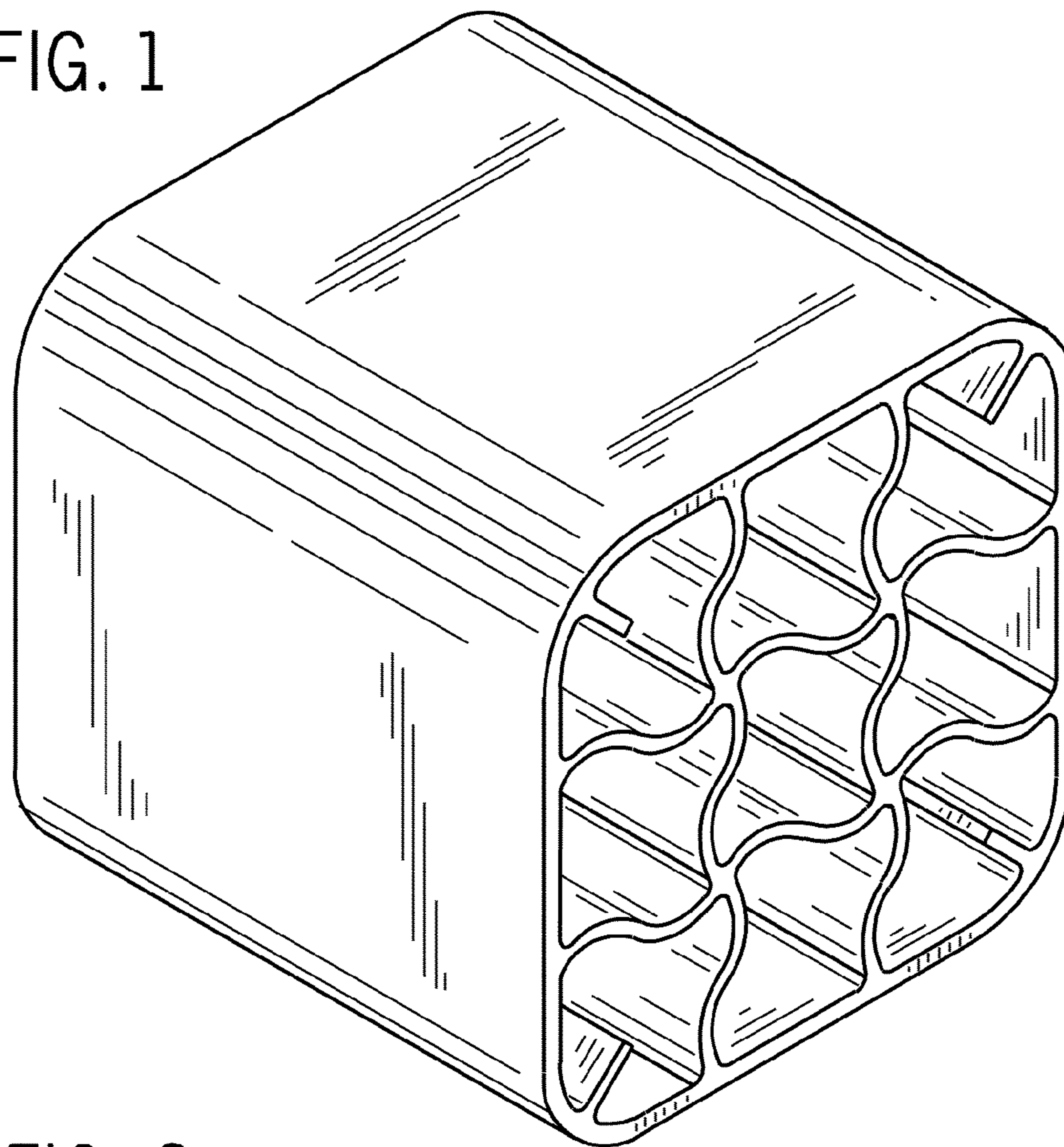
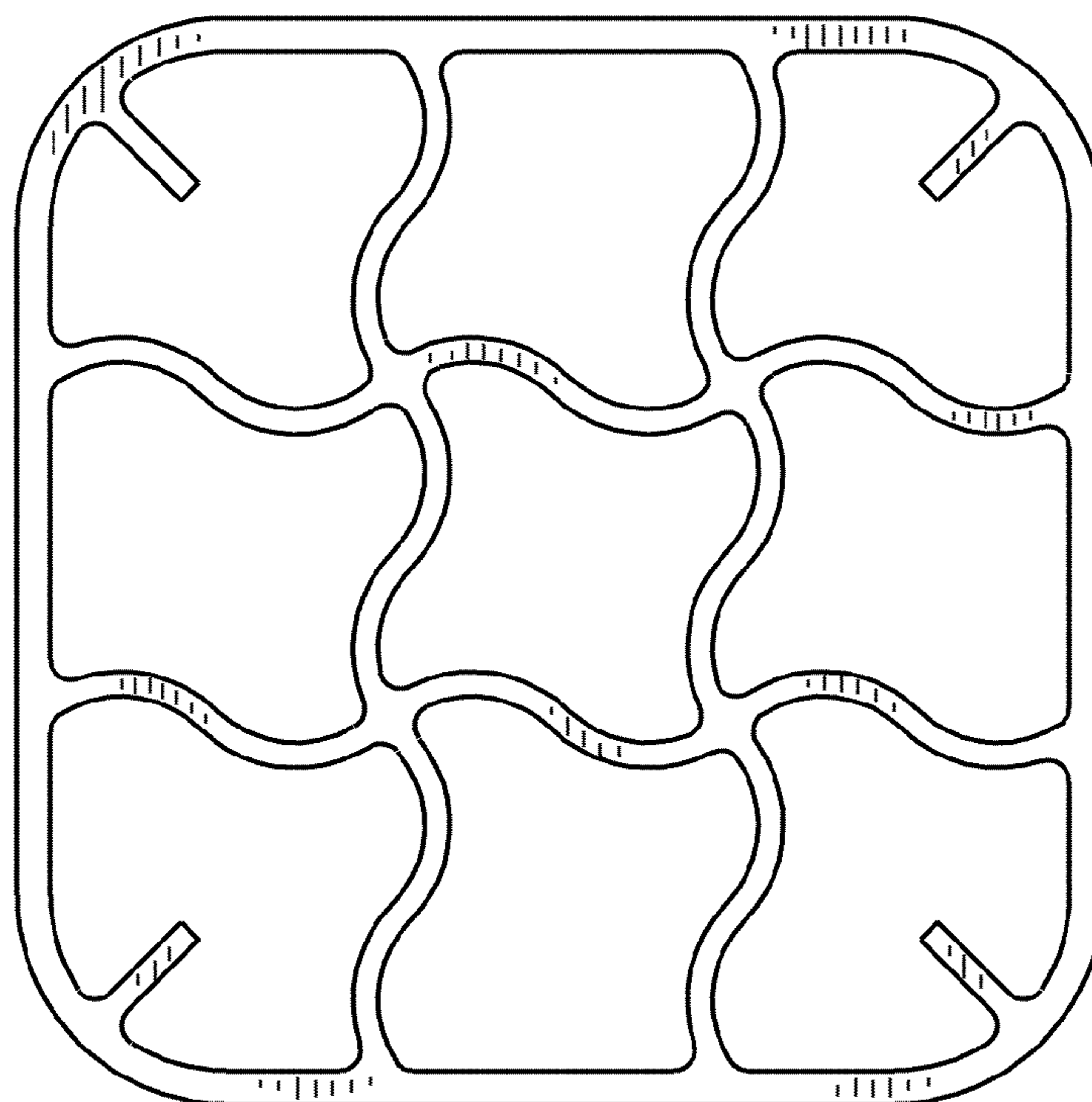


FIG. 2



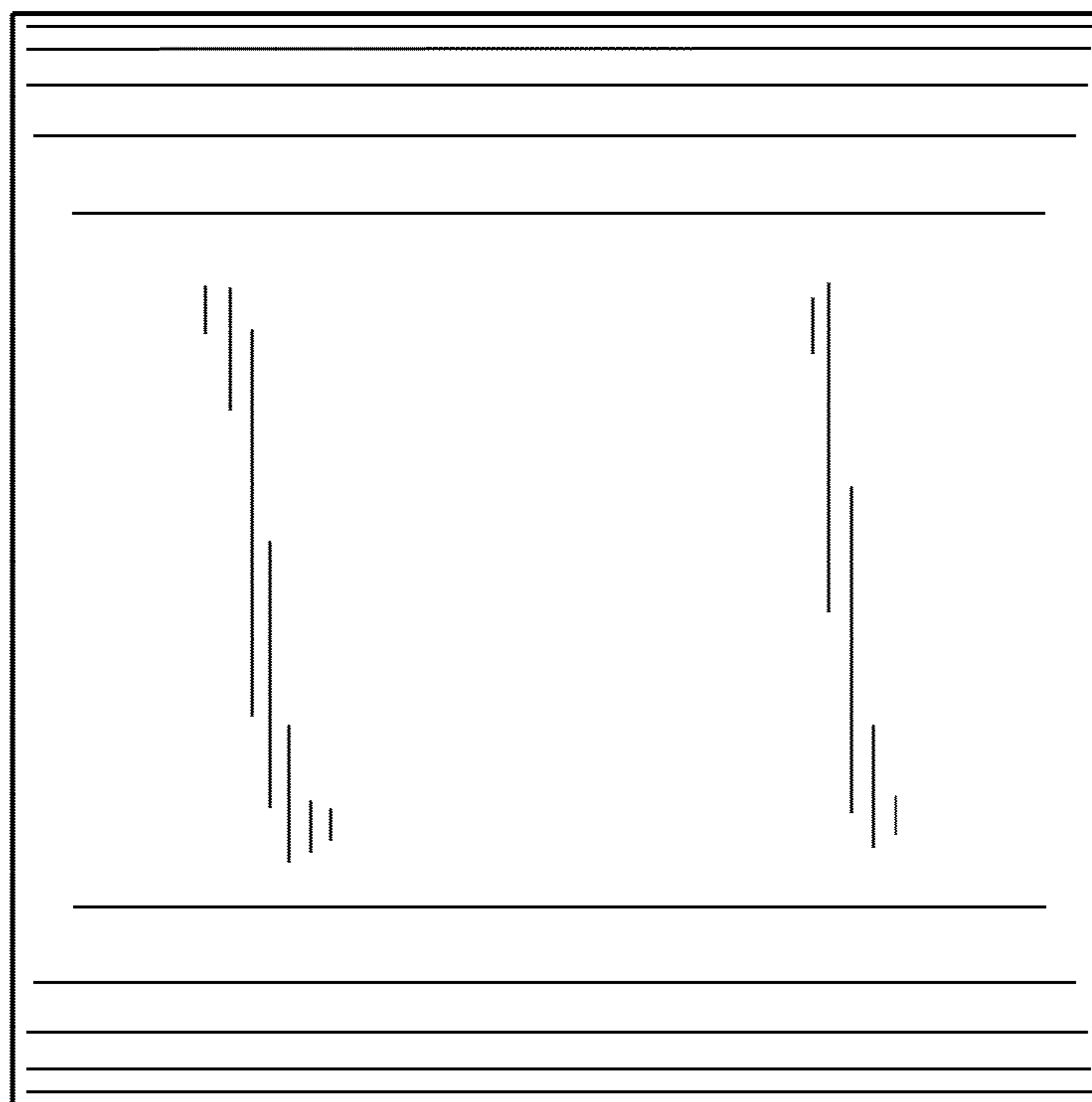


FIG. 3

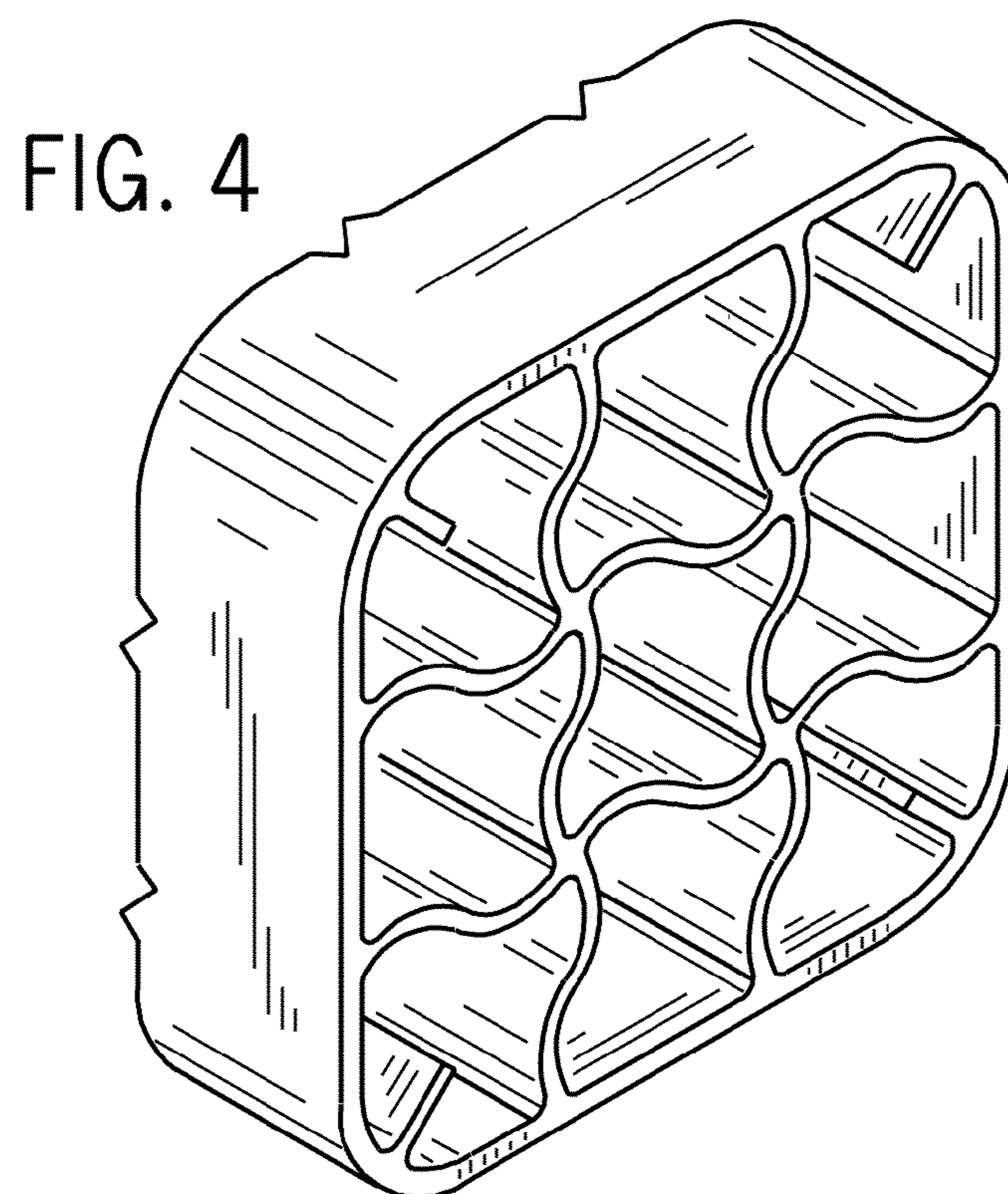


FIG. 4