



US00D645159S

(12) **United States Design Patent**  
**Loken**

(10) **Patent No.:** **US D645,159 S**

(45) **Date of Patent:** **\*\* Sep. 13, 2011**

- (54) **MOVING BED BIOREACTOR CARRIER**
- (75) Inventor: **Strahan Loken**, Victoria (CA)
- (73) Assignee: **Headworks Bio Inc.**, Houston, TX (US)
- (\*\*) Term: **14 Years**
- (21) Appl. No.: **29/377,904**
- (22) Filed: **Oct. 27, 2010**
- (51) **LOC (9) Cl.** ..... **24-02**
- (52) **U.S. Cl.** ..... **D24/232; D23/209; D25/122**
- (58) **Field of Classification Search** ..... D24/162,  
D24/216, 217, 220, 224, 226-233; D25/121-122,  
D25/126, 61; D23/207, 209, 365; 52/720.1,  
52/730.4, 731.2, 732.1, 737.6; 210/493.1,  
210/493.3, 493.5, 165, 510.1, 150; 435/174,  
435/176; D8/107

See application file for complete search history.

(56) **References Cited**

**U.S. PATENT DOCUMENTS**

D232,174 S *	7/1974	LaBorde	.....	D23/209
D232,236 S *	7/1974	LaBorde	.....	D23/209
D232,237 S *	7/1974	LaBorde	.....	D23/209
D232,238 S *	7/1974	LaBorde	.....	D23/209
D244,530 S *	5/1977	Bell	.....	D23/209
D255,153 S *	5/1980	Meurer	.....	D24/226
D331,793 S *	12/1992	Erwes	.....	D23/209
5,198,007 A *	3/1993	Moyer et al.	.....	210/510.1
5,618,412 A *	4/1997	Herding et al.	.....	210/150
D399,300 S *	10/1998	Goodson	.....	D23/209
D419,215 S *	1/2000	Kim	.....	D23/209

D465,257 S *	11/2002	Van Olst et al.	.....	D23/207
6,908,753 B1 *	6/2005	Maekawa	.....	435/176
D515,222 S *	2/2006	Kieffer	.....	D25/122
D548,357 S *	8/2007	Barbera-Guillem	.....	D24/216
D574,923 S *	8/2008	Crawford et al.	.....	D23/209
D597,190 S *	7/2009	Badash	.....	D23/365
D603,241 S *	11/2009	Pearce	.....	D8/107
2009/0111156 A1 *	4/2009	Uemoto et al.	.....	435/174
2010/0326907 A1 *	12/2010	Gavrieli et al.	.....	210/615

\* cited by examiner

*Primary Examiner* — T. Chase Nelson

*Assistant Examiner* — Mark Cavanna

(74) *Attorney, Agent, or Firm* — Fletcher Yoder

(57) **CLAIM**

I claim the ornamental design for a moving bed bioreactor carrier, as shown and described.

**DESCRIPTION**

FIG. 1 is a perspective view of the moving bed bioreactor carrier of the present invention;

FIG. 2 is a front elevational view of the moving bed bioreactor carrier of FIG. 1, the rear elevational view being a minor image of the front elevational view shown;

FIG. 3 is a left side view of the moving bed bioreactor carrier of FIG. 1, the right side view, top view and bottom view being identical to the left side view shown; and,

FIG. 4 is a perspective view of a second embodiment of the moving bed bioreactor carrier shown broken away with the specific length of the moving bed bioreactor carrier forming no part of the claimed design.

**1 Claim, 2 Drawing Sheets**

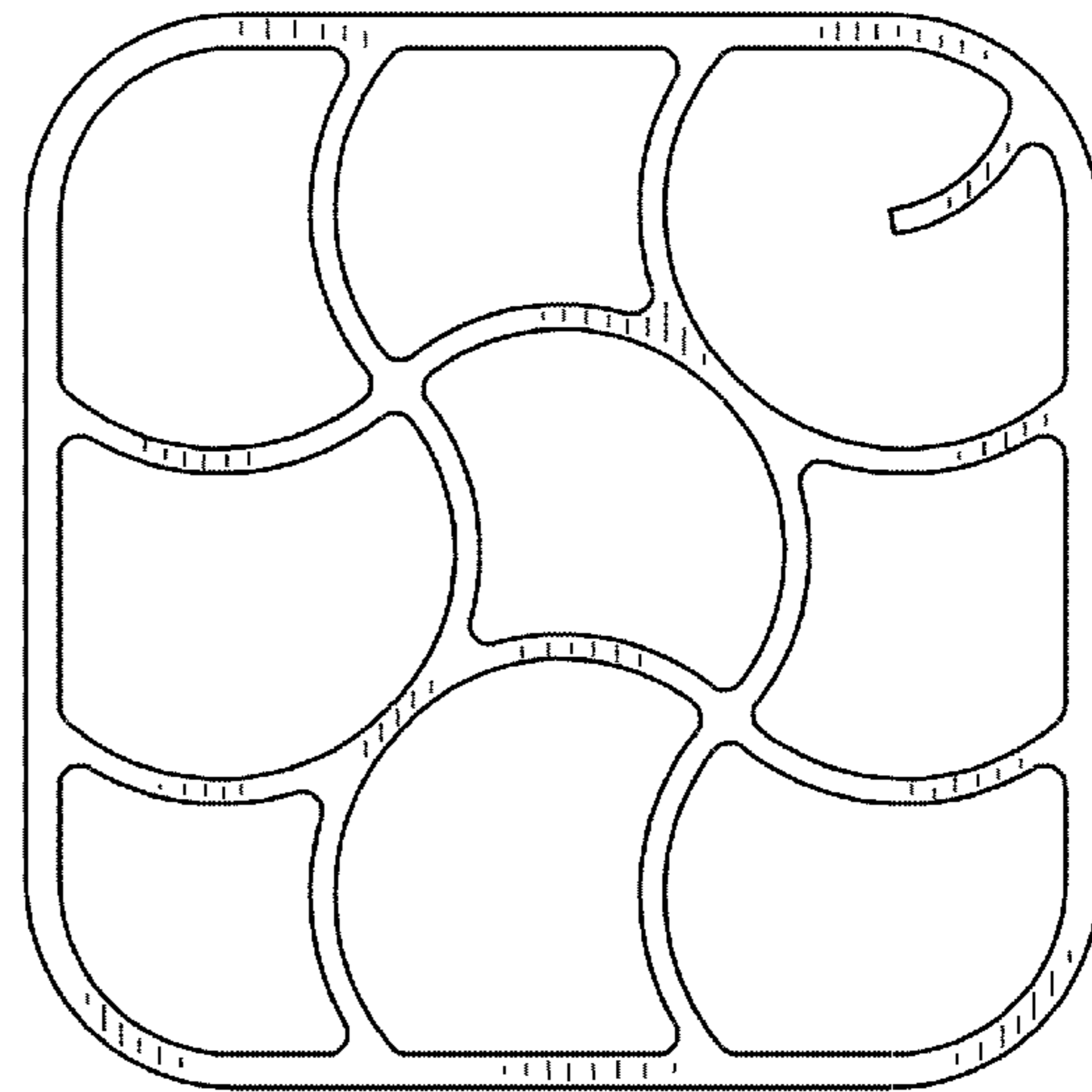
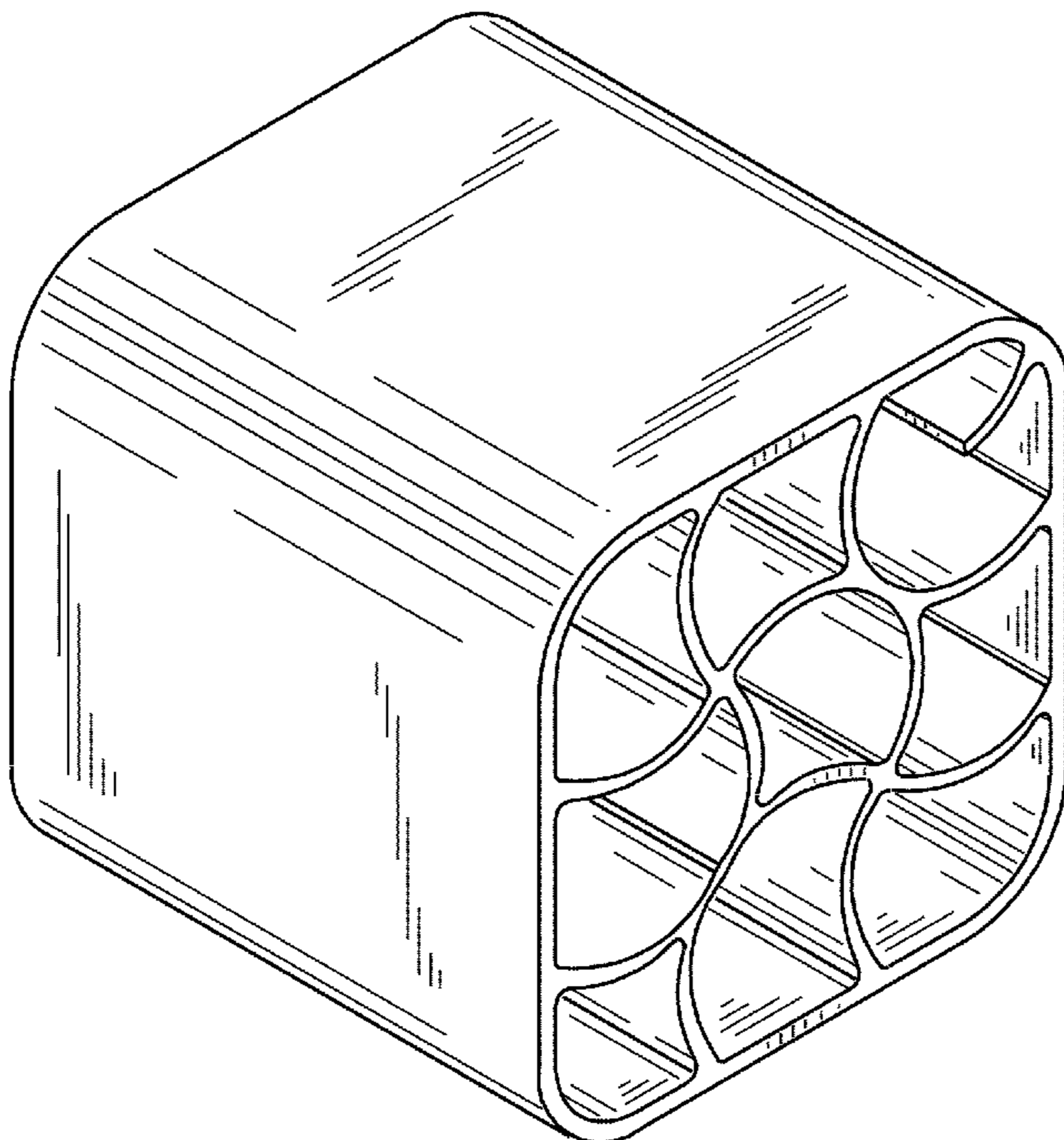


FIG. 1

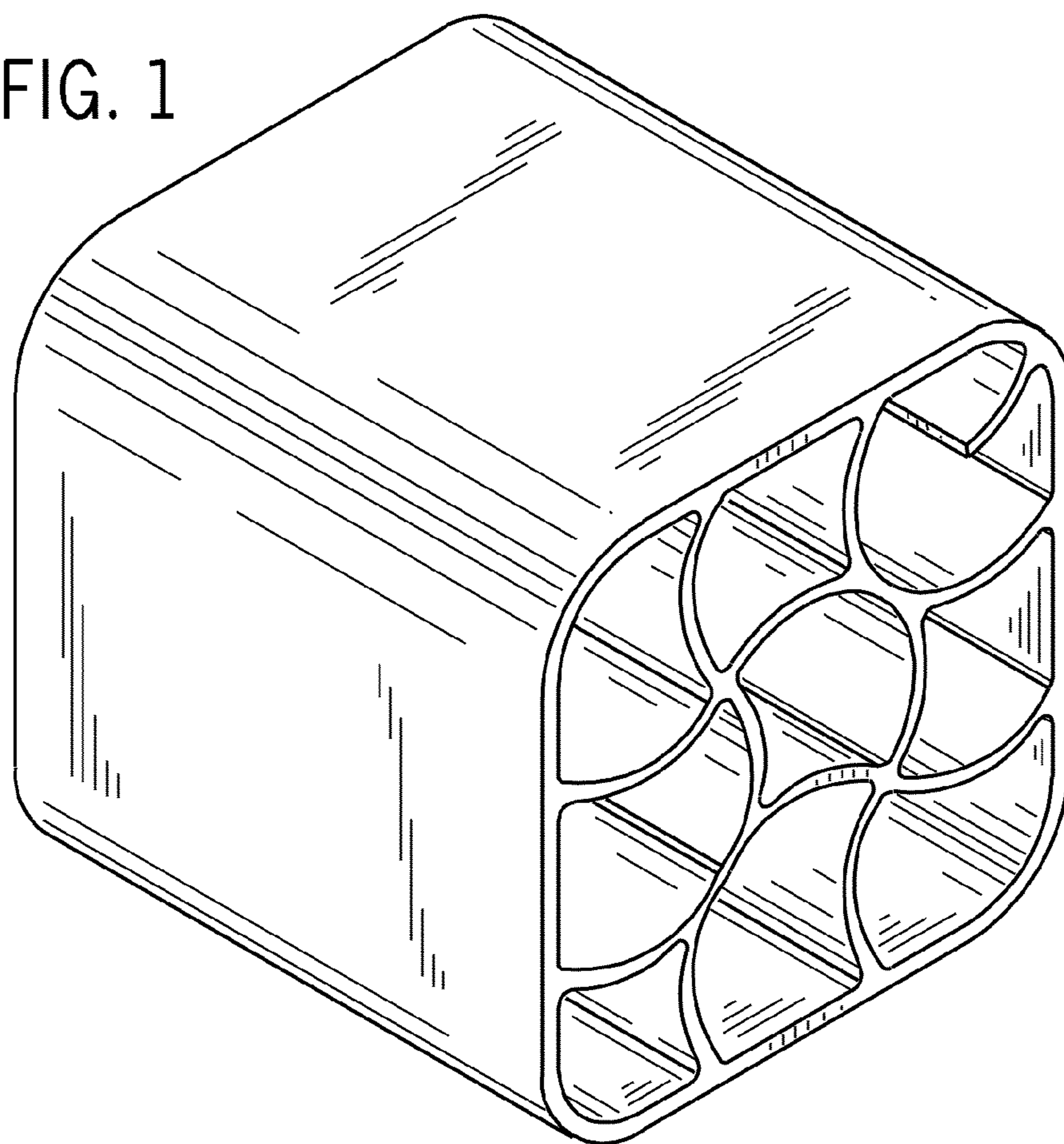
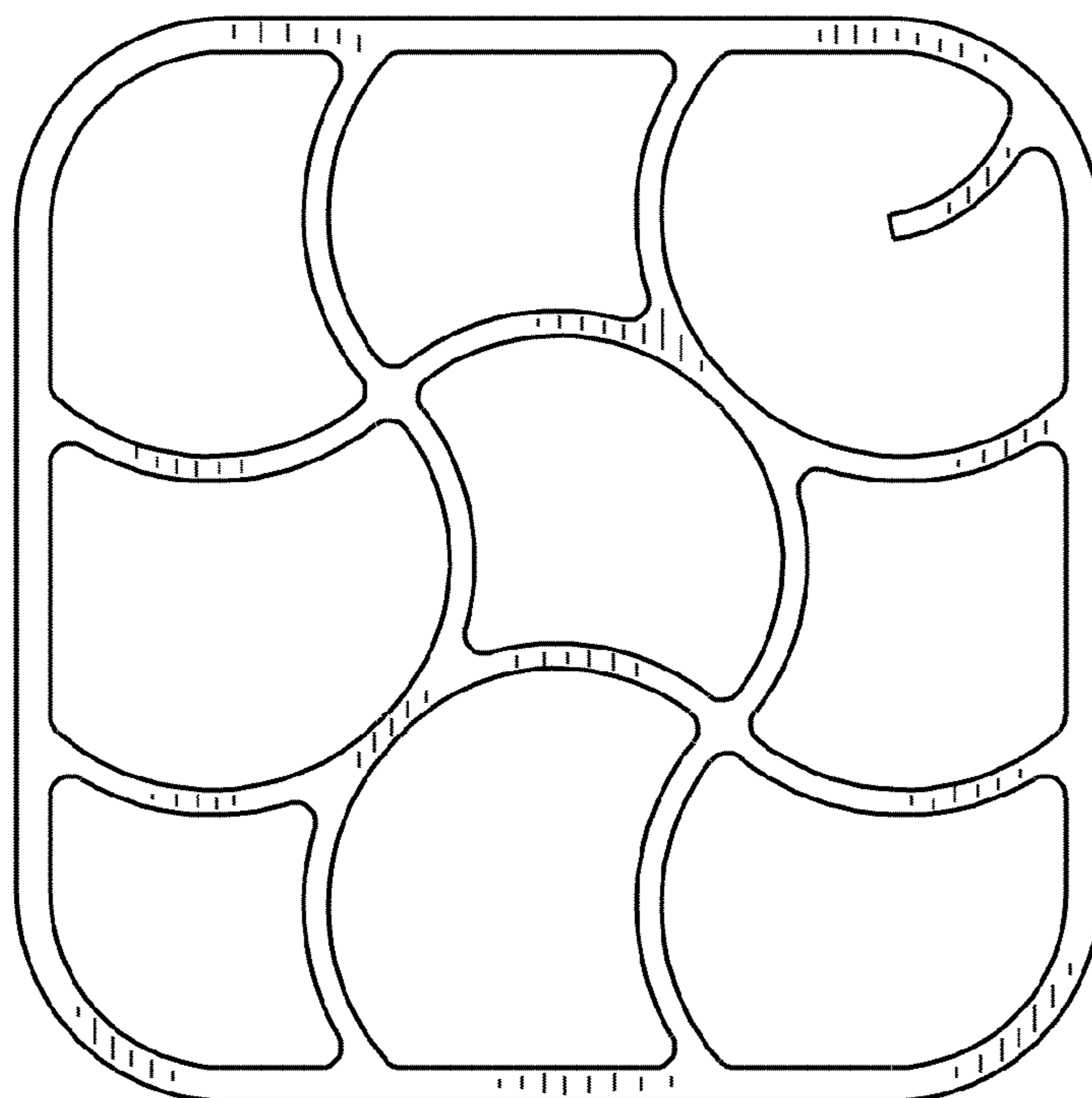


FIG. 2



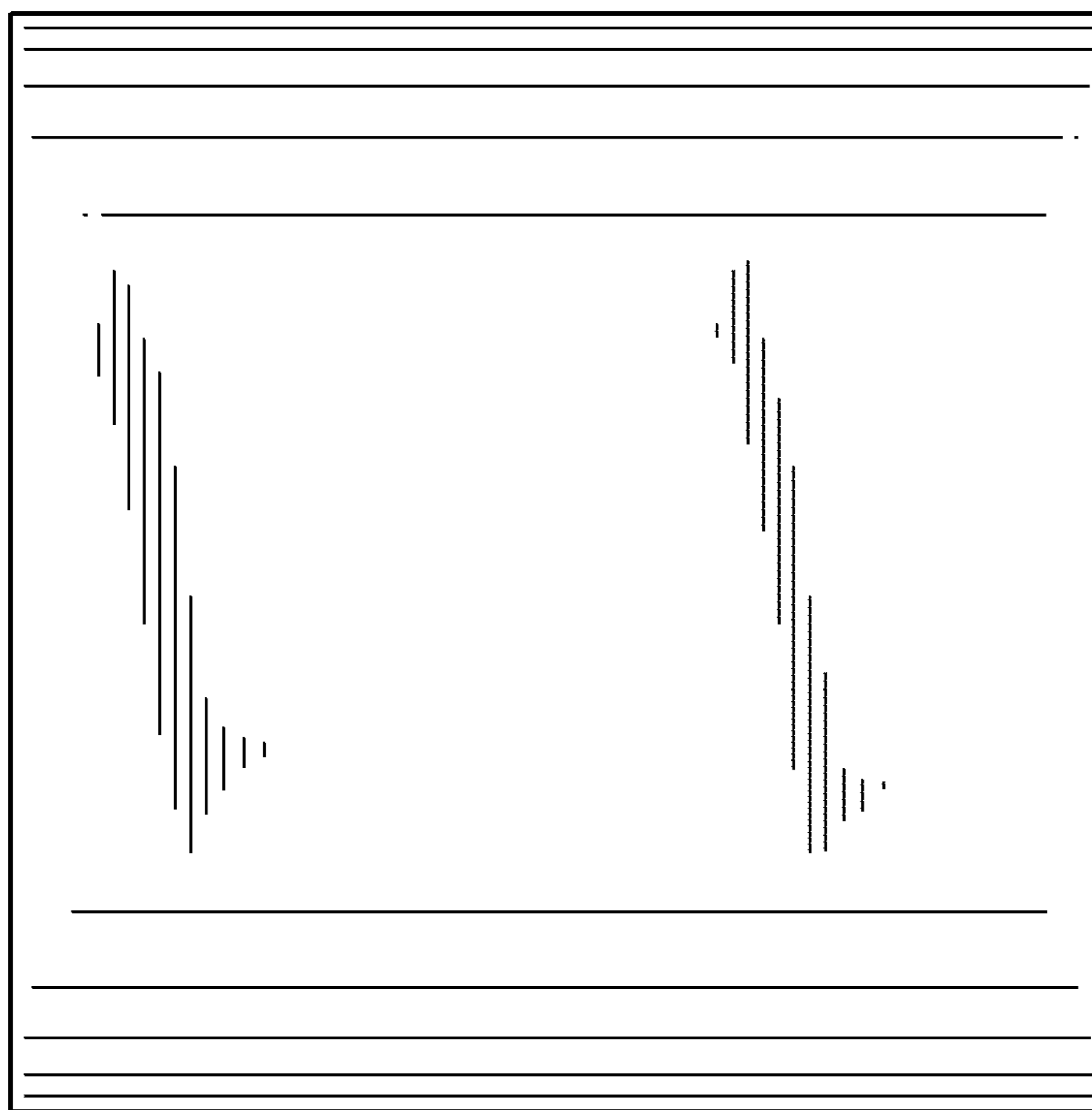


FIG. 3

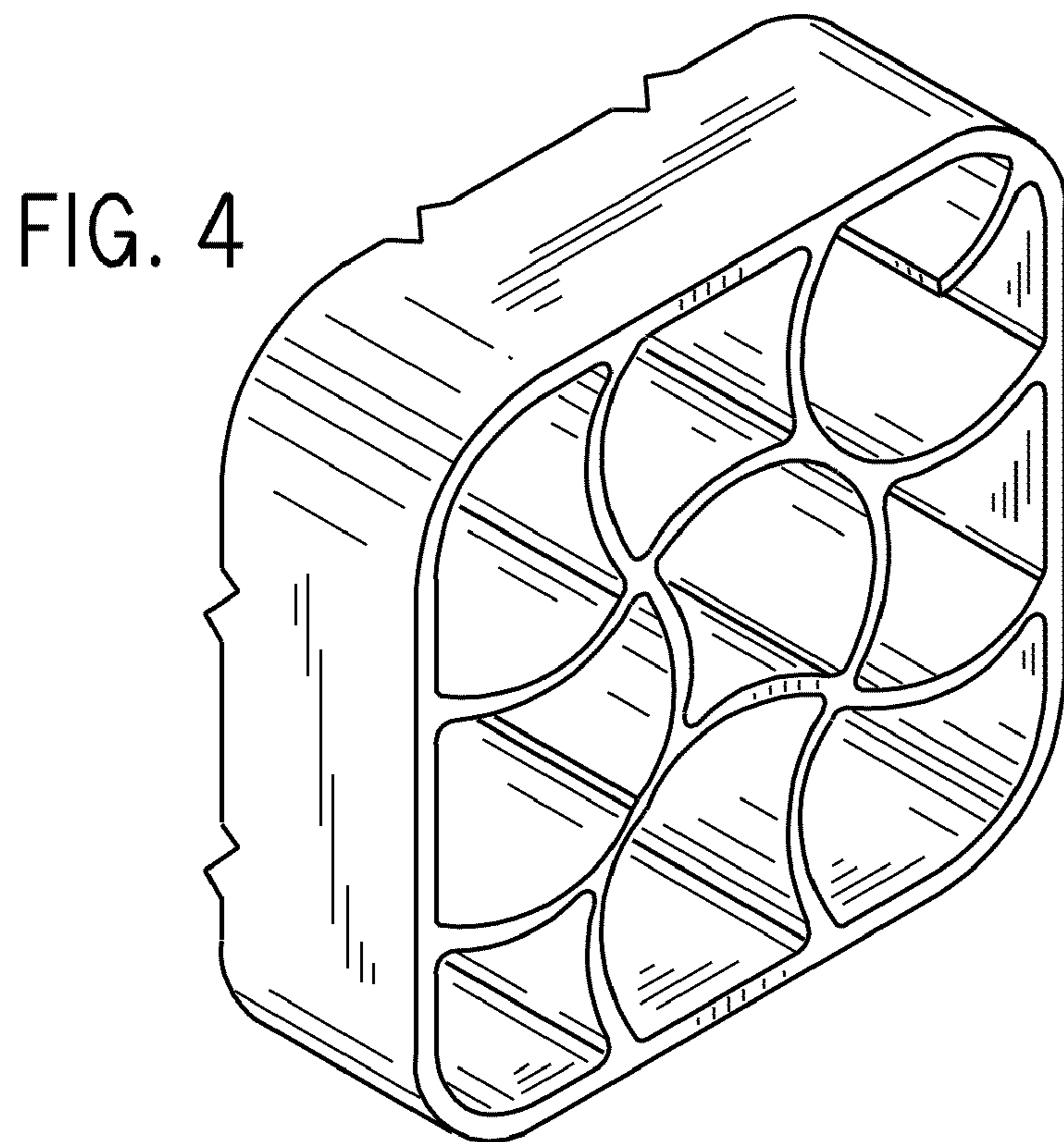


FIG. 4