

US00D645157S

(12) **United States Design Patent**
Fallon et al.

(10) **Patent No.:** **US D645,157 S**
(45) **Date of Patent:** **** Sep. 13, 2011**

(54) **HEATER TRAY FOR BALANCE BAG**

(75) Inventors: **Joseph Michael Fallon**, Dixon, CA (US); **Kulwinder S. Plahey**, Martinez, CA (US)

(73) Assignee: **Fresenius Medical Care Holdings, Inc.**, Waltham, MA (US)

(**) Term: **14 Years**

(21) Appl. No.: **29/386,357**

(22) Filed: **Feb. 28, 2011**

(51) **LOC (9) Cl.** **24-02**

(52) **U.S. Cl.** **D24/227; D24/169**

(58) **Field of Classification Search** D24/111, D24/169, 186, 227-232; D10/90-94; 210/252, 210/258, 321.65, 321.71, 321.88, 645, 646, 210/647; 177/262; 156/351; 324/519; 604/34, 604/29, 67, 28, 33

See application file for complete search history.

(56) **References Cited**

U.S. PATENT DOCUMENTS

D139,931	S *	1/1945	Bliel	D10/90
D205,160	S *	6/1966	Girid et al.	D10/94
4,585,436	A *	4/1986	Davis et al.	604/34
4,602,693	A *	7/1986	Racicot	177/262
D308,249	S *	5/1990	Buckley	D24/169
D312,422	S *	11/1990	Stephens	D10/92
D314,716	S *	2/1991	Busse	D10/91
D351,470	S *	10/1994	Scherer et al.	D24/169
5,634,896	A *	6/1997	Bryant et al.	604/29
5,722,947	A *	3/1998	Jeppsson et al.	604/67
D445,048	S *	7/2001	Rodgers et al.	D10/94
D463,302	S *	9/2002	Ariyama et al.	D10/91
6,585,682	B1 *	7/2003	Haraldsson et al.	604/28

6,976,519	B2 *	12/2005	Bivens	156/351
D522,393	S *	6/2006	Schumann	D10/91
D524,670	S *	7/2006	Carls	D10/91
D543,880	S *	6/2007	Matsumoto et al.	D10/91
D543,882	S *	6/2007	Kousuge	D10/91
D554,012	S *	10/2007	Medugorac	D10/91
D556,910	S *	12/2007	Reihanifam et al.	D24/169
7,384,558	B2 *	6/2008	Hai et al.	210/647
7,808,246	B2 *	10/2010	Sobue et al.	324/519
7,935,074	B2 *	5/2011	Plahey et al.	604/33

* cited by examiner

Primary Examiner — T. Chase Nelson

Assistant Examiner — Mark Cavanna

(74) *Attorney, Agent, or Firm* — Kilyk & Bowersox, P.L.L.C.

(57) **CLAIM**

The ornamental design for a heater tray for balance bag, as shown and described.

DESCRIPTION

FIG. 1 is a top perspective view of our heater tray for balance bag design;

FIG. 2 is a left side view of the heater tray shown in FIG. 1;

FIG. 3 is a right side view of the heater tray shown in FIG. 1;

FIG. 4 is a front view of the heater tray shown in FIG. 1;

FIG. 5 is a back view of the heater tray shown in FIG. 1;

FIG. 6 is a bottom view of the heater tray shown in FIG. 1;

FIG. 7 is a top view of the heater tray shown in FIG. 1; and,

FIG. 8 is a bottom perspective view of the heater tray shown in FIG. 1.

The broken lines are included for the purpose of illustrating portions of the heater tray for balance bag that form no part of the claimed design.

1 Claim, 6 Drawing Sheets

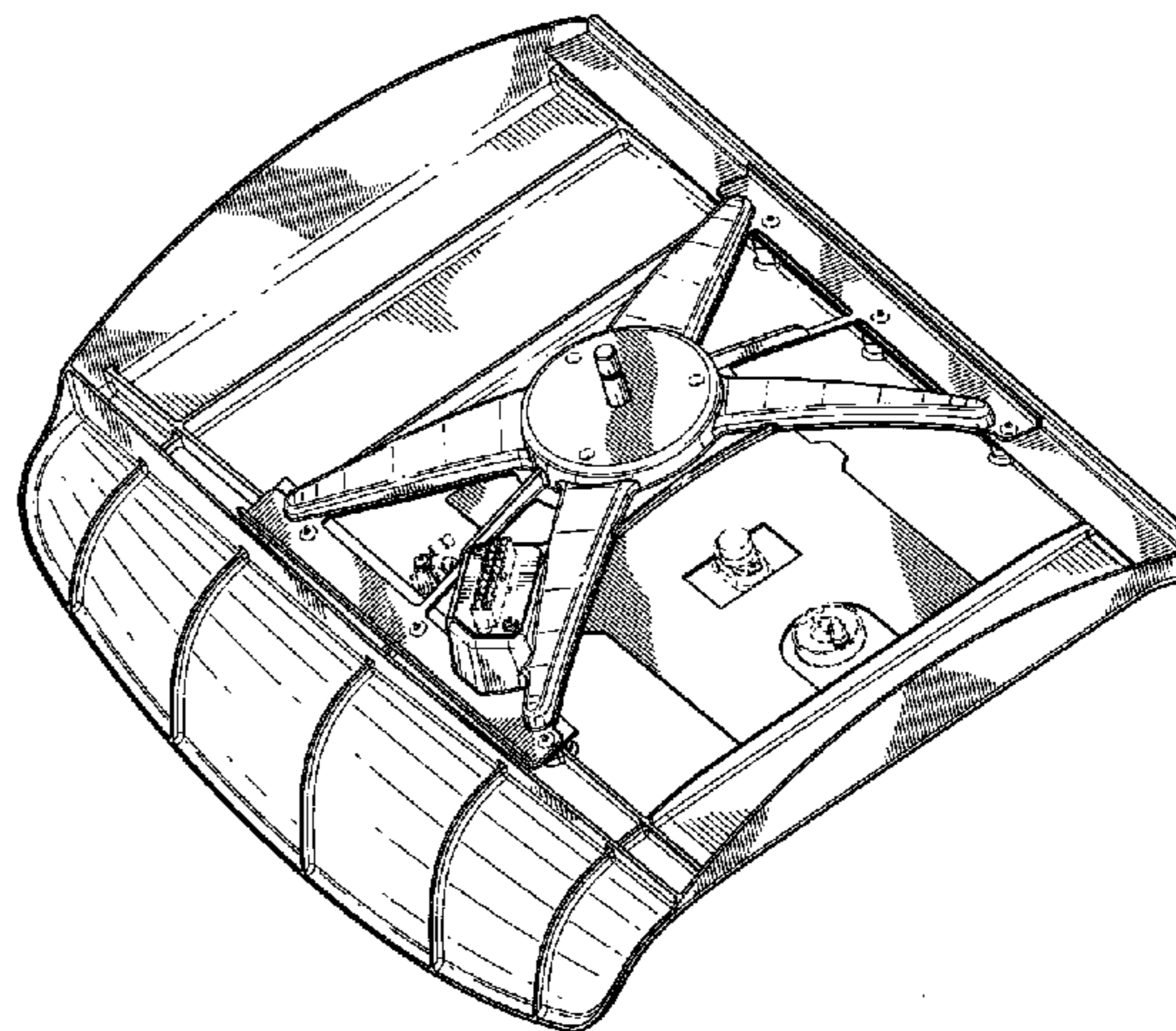
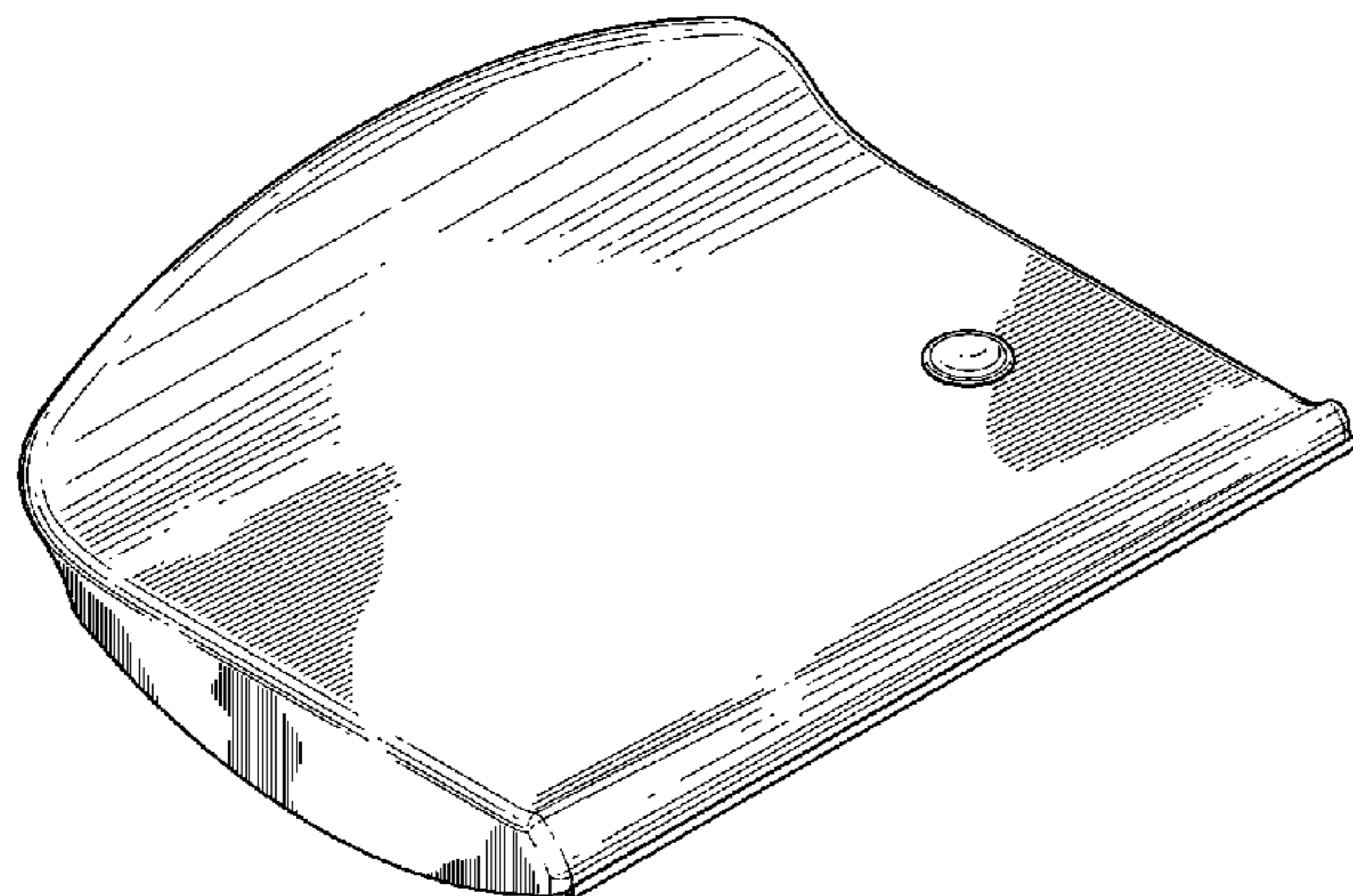




FIG. 1

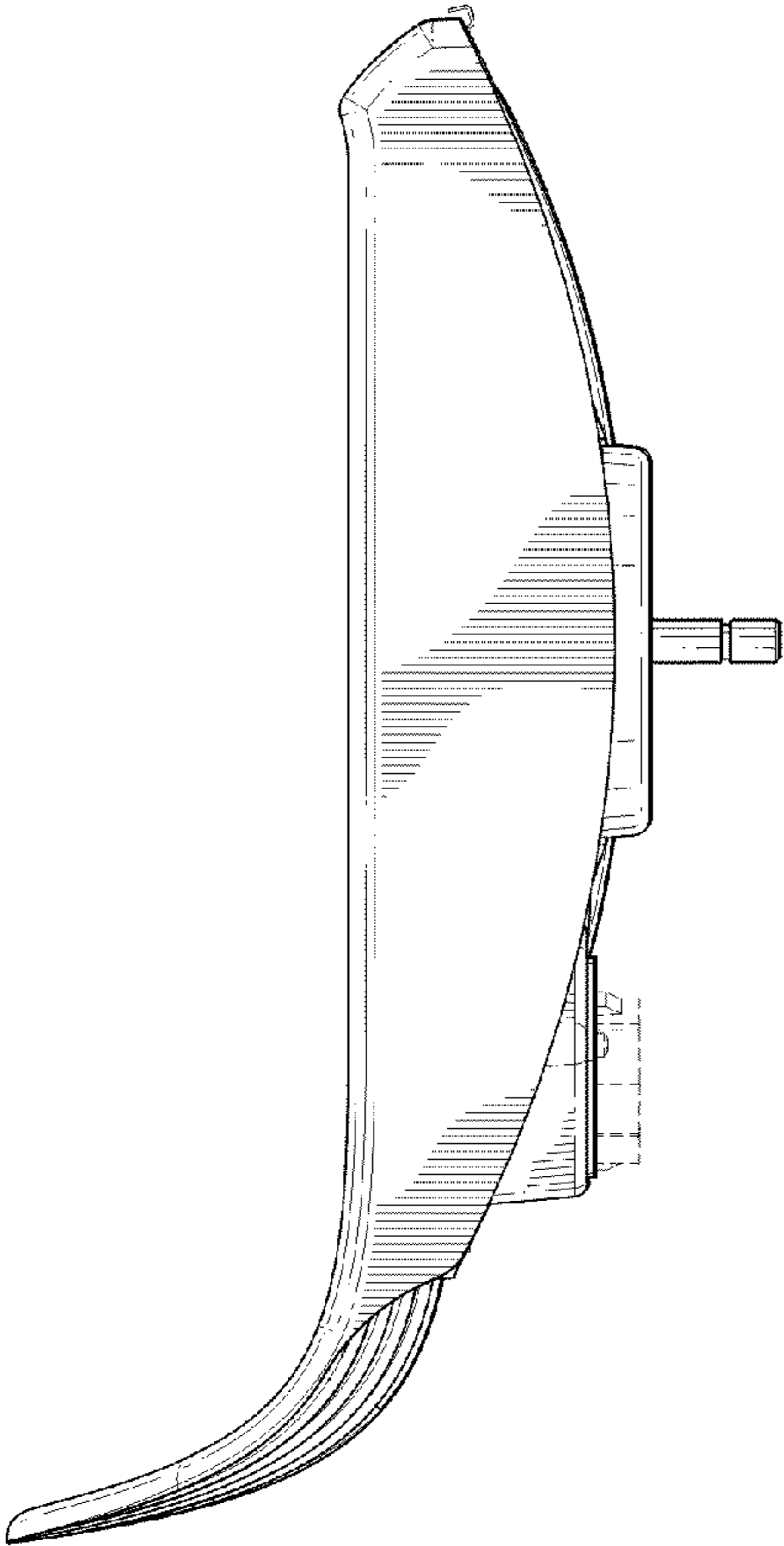


FIG. 2

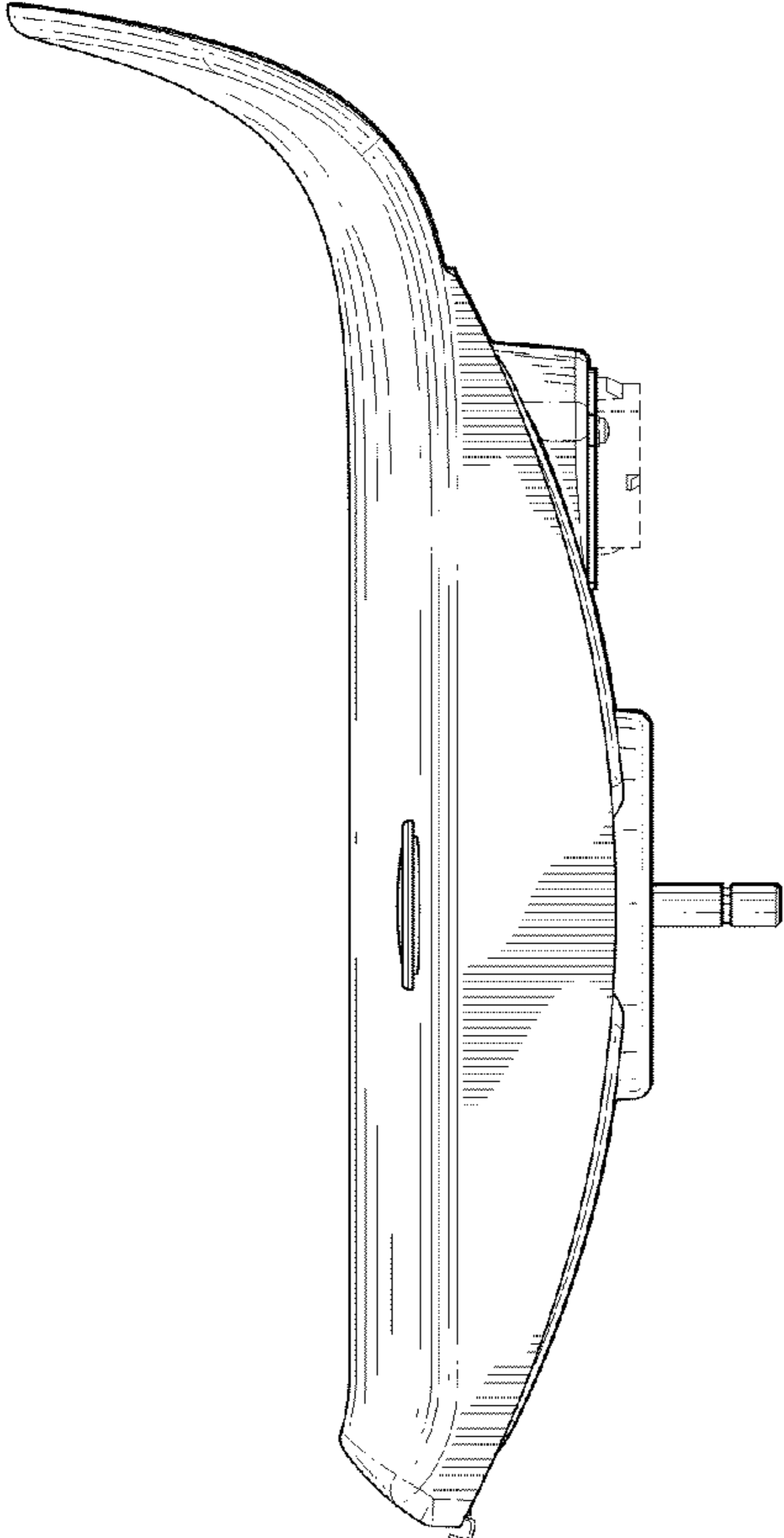


FIG. 3

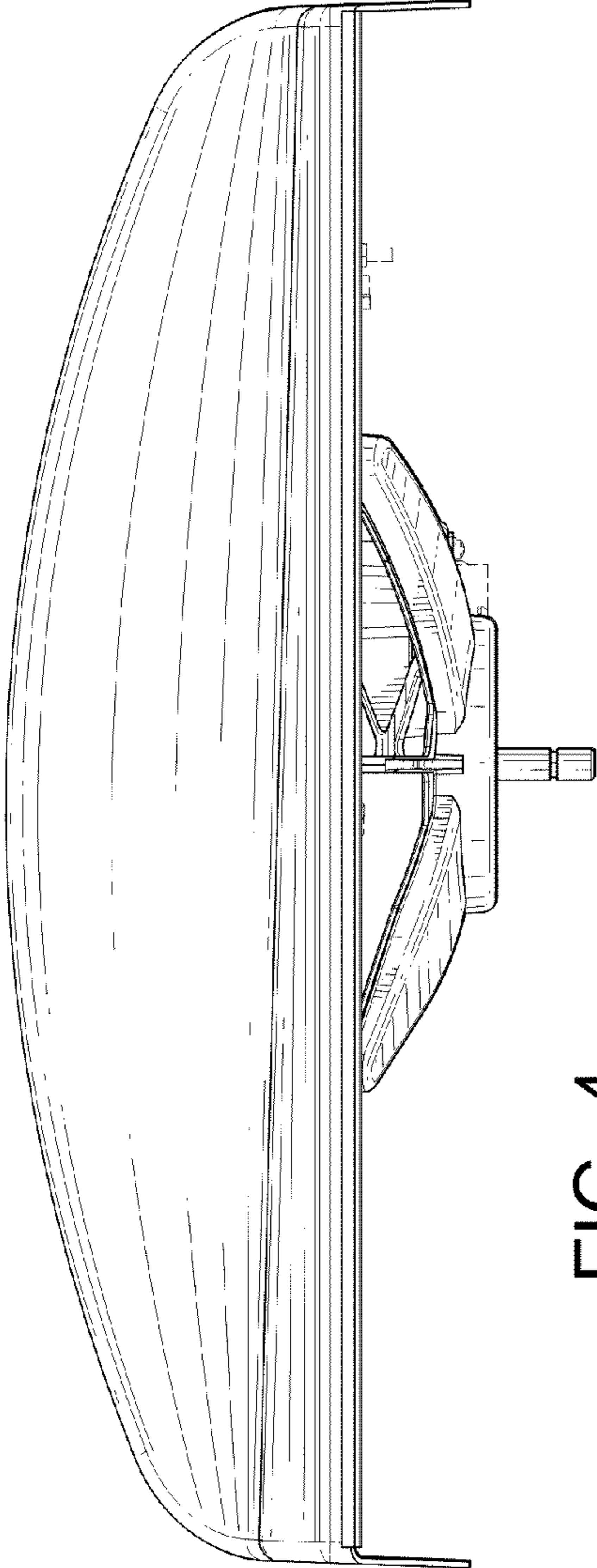


FIG. 4

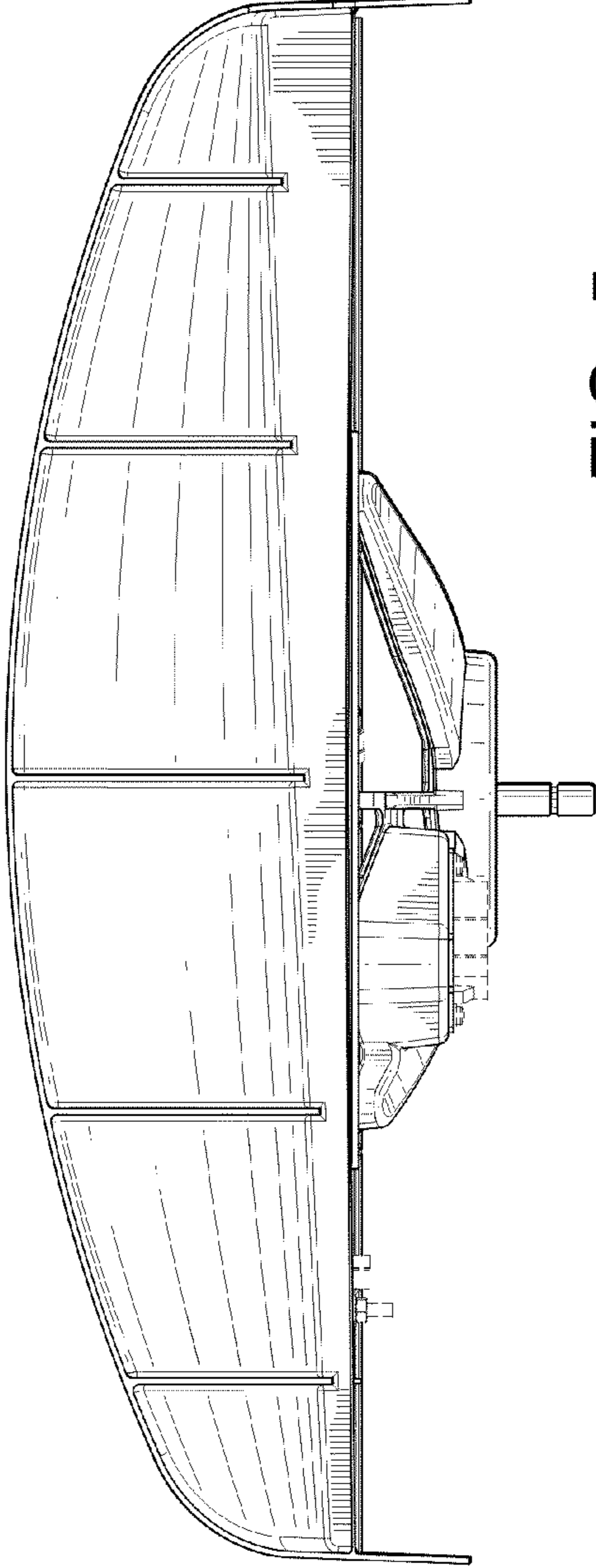


FIG. 5

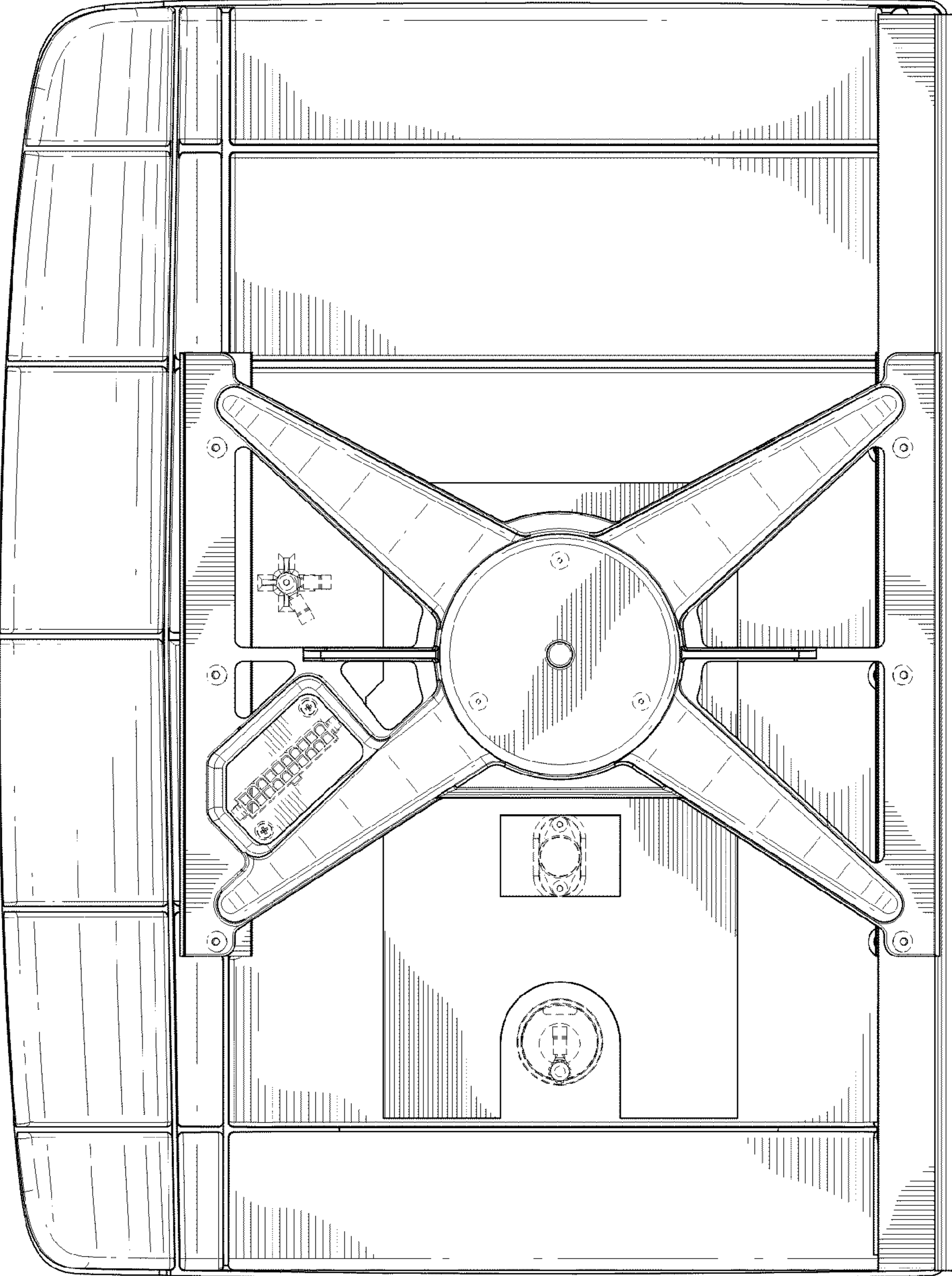


FIG. 6

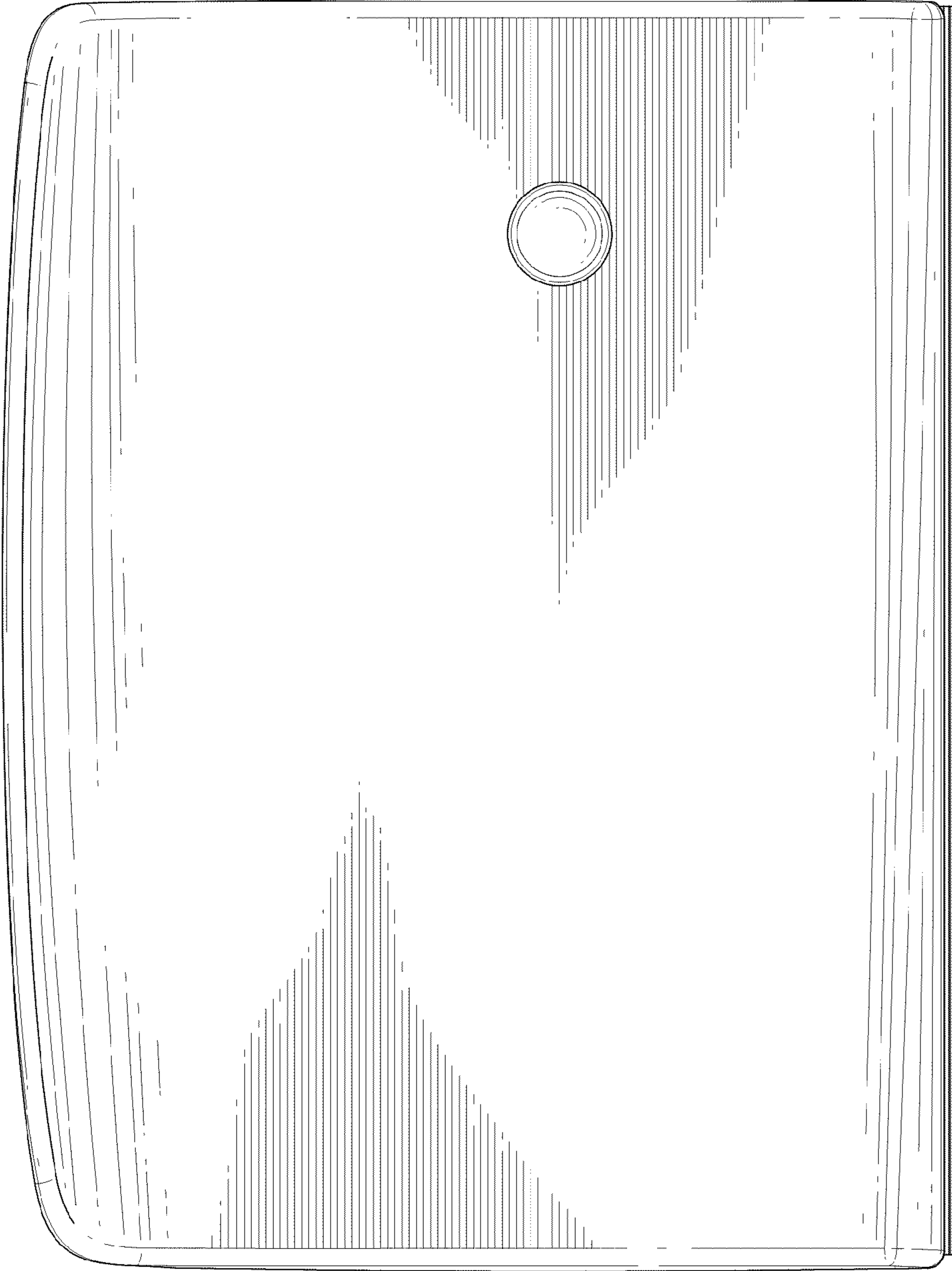


FIG. 7

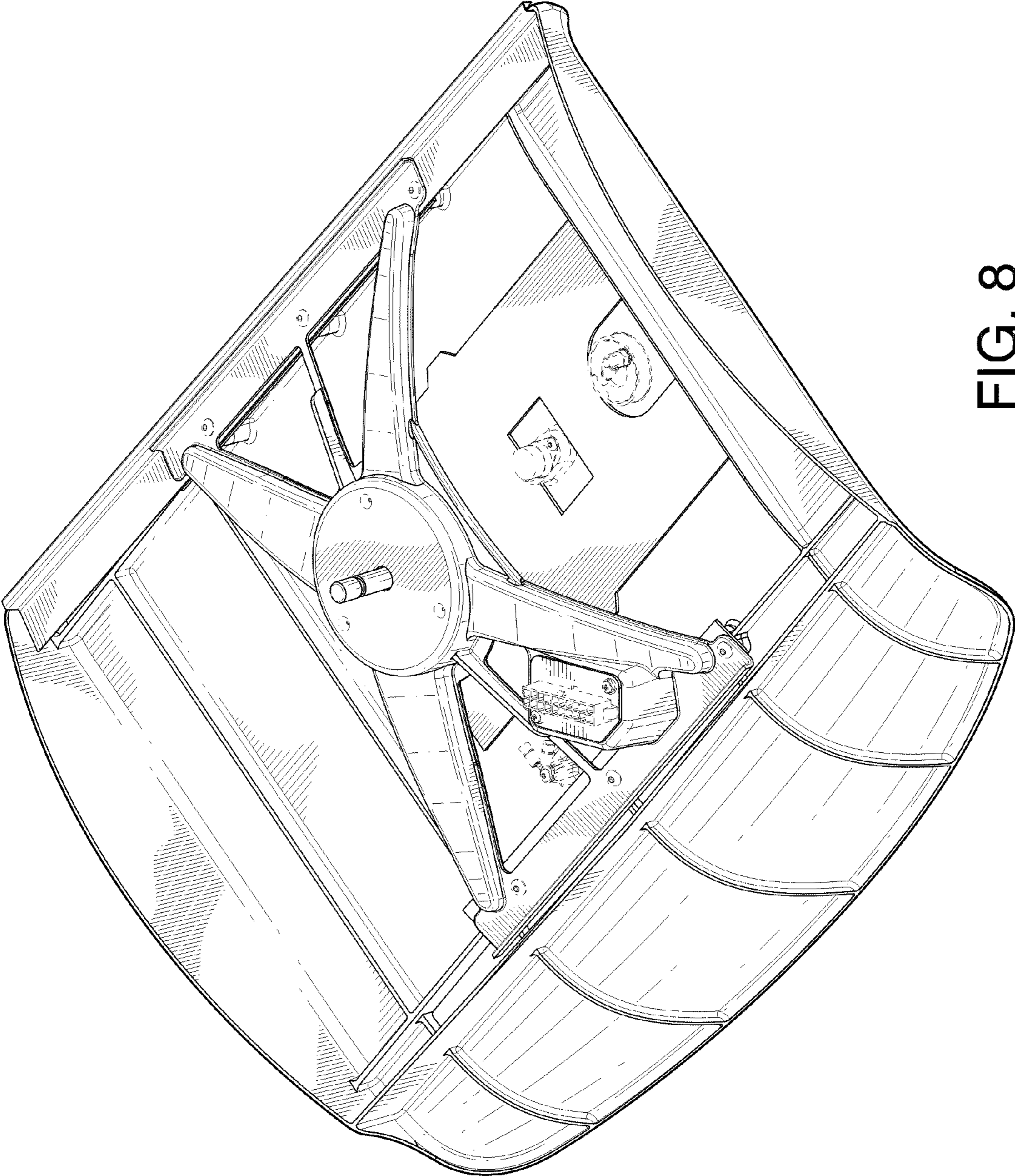


FIG. 8