

US00D645156S

(12) **United States Design Patent**
Reitze

(10) **Patent No.:** **US D645,156 S**

(45) **Date of Patent:** **** Sep. 13, 2011**

(54) **TEST TUBE RACK**

(76) Inventor: **Frederick T. Reitze**, Chicago, IL (US)

(**) Term: **14 Years**

(21) Appl. No.: **29/372,863**

(22) Filed: **Jan. 26, 2011**

Related U.S. Application Data

(63) Continuation-in-part of application No. 29/294,402, filed on Jan. 10, 2008, now Pat. No. Des. 620,605.

(51) **LOC (9) Cl.** **24-02**

(52) **U.S. Cl.** **D24/227**

(58) **Field of Classification Search** D24/108,
D24/127-130, 216, 224, 227-232; 206/446,
206/443; 211/74, 70.1, 72; 220/519; 356/246,
356/244; 422/102, 104, 63-64, 250, 266,
422/297, 300, 476, 99

See application file for complete search history.

(56) **References Cited**

U.S. PATENT DOCUMENTS

2,956,686	A *	10/1960	Garey	356/246
2,979,210	A *	4/1961	Patterson	211/74
3,186,556	A *	6/1965	Forsstrom	356/244
3,388,807	A *	6/1968	Emmitt	211/74
D245,118	S *	7/1977	Heaton	211/72
D259,141	S *	5/1981	Oliver	D24/230
D265,126	S *	6/1982	Beall	D24/230
4,407,958	A *	10/1983	DeGraff, Jr.	435/283.1

D323,400	S *	1/1992	Frenkel et al.	D24/230
5,186,339	A *	2/1993	Heissler	206/443
D359,126	S *	6/1995	Hovatter	D24/229
D369,415	S *	4/1996	Boulton et al.	D24/224
D382,346	S *	8/1997	Buhler et al.	D24/227
D413,677	S *	9/1999	Dumitrescu et al.	D24/229
D417,009	S *	11/1999	Boyd	D24/227
D420,747	S *	2/2000	Dumitrescu et al.	D24/227
D421,130	S *	2/2000	Cohen et al.	D24/229
D448,854	S *	10/2001	Kuiper et al.	D24/230
D461,554	S *	8/2002	Lafond et al.	D24/230
D466,219	S *	11/2002	Wynschenk et al.	D24/227
D484,989	S *	1/2004	Gebrian	D24/230
7,000,785	B2 *	2/2006	Jafari et al.	422/99
D533,948	S *	12/2006	Schaub et al.	D24/229
D556,338	S *	11/2007	Coulling et al.	D24/230
D556,339	S *	11/2007	Coulling et al.	D24/230
D566,851	S *	4/2008	Hawker et al.	D24/230
D591,425	S *	4/2009	Hawker et al.	D24/230
D596,312	S *	7/2009	Giraud et al.	D24/230
D598,566	S *	8/2009	Allaer	D24/230
D620,605	S	7/2010	Reitze		

* cited by examiner

Primary Examiner — T. Chase Nelson

Assistant Examiner — Mark Cavanna

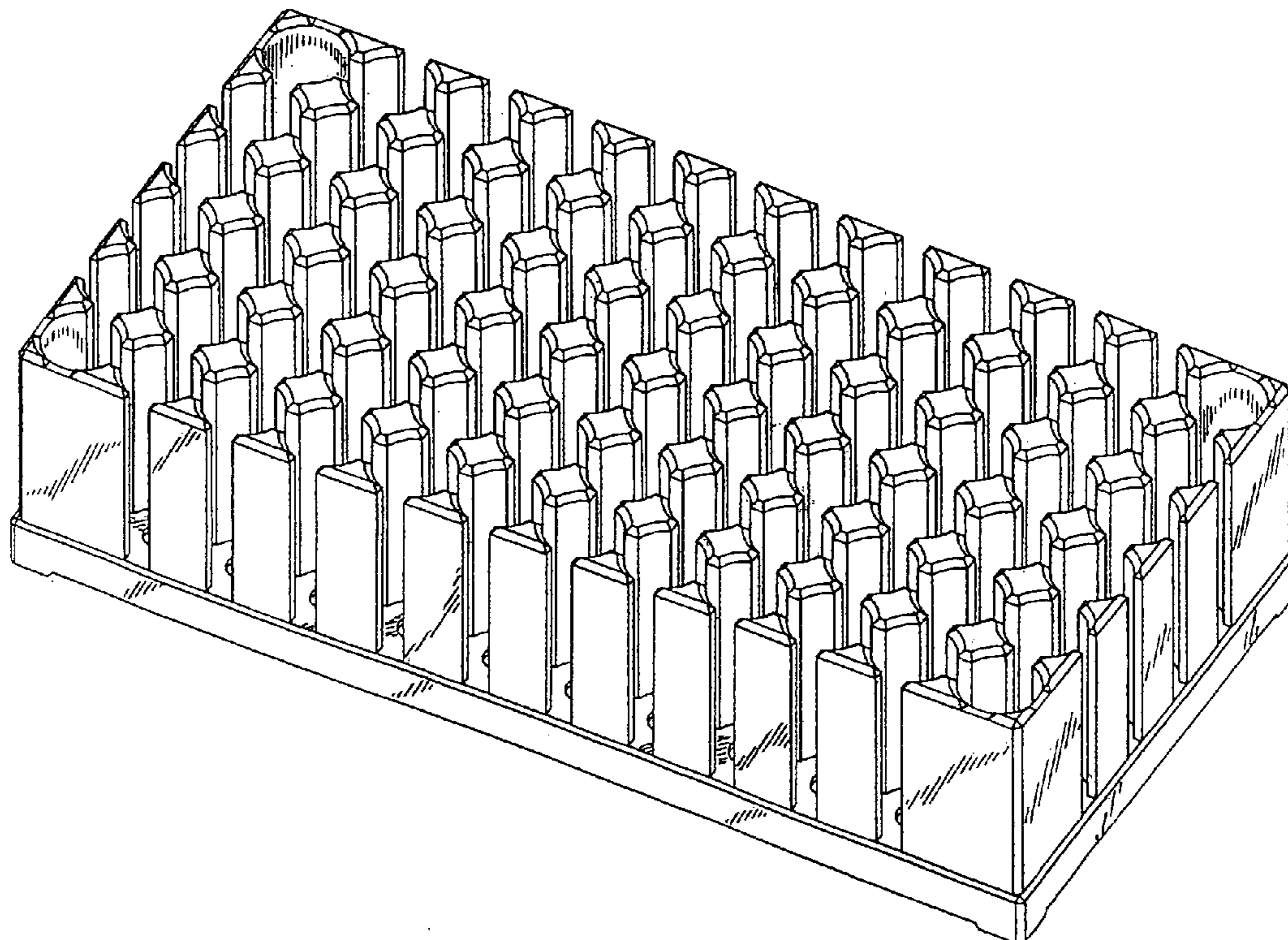
(57) **CLAIM**

The ornamental design for a test tube rack, as shown and described.

DESCRIPTION

FIG. 1 is a perspective view of my new test tube rack; and, FIG. 2 is a top view of the test tube rack.

1 Claim, 2 Drawing Sheets



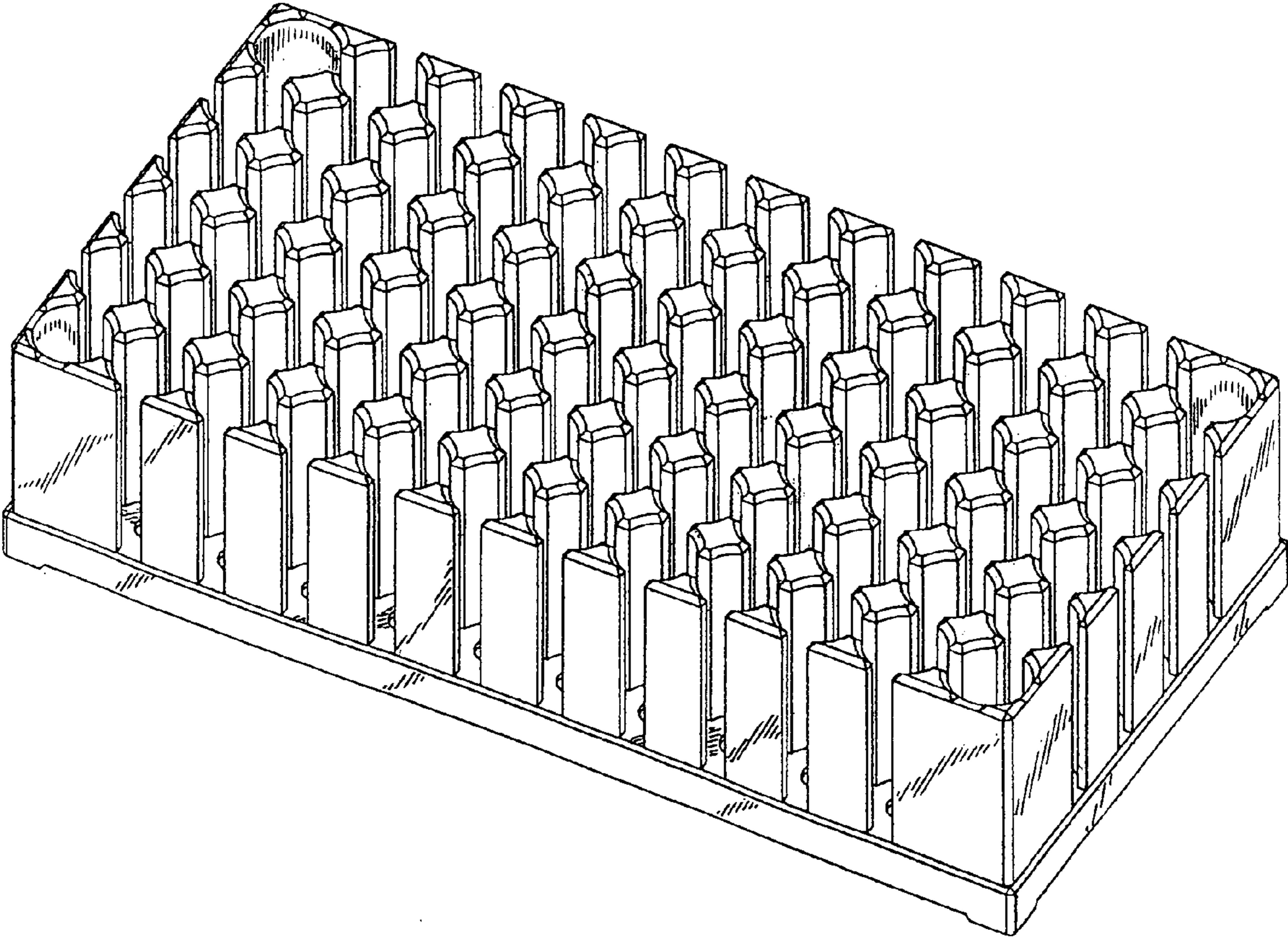


Fig. 1

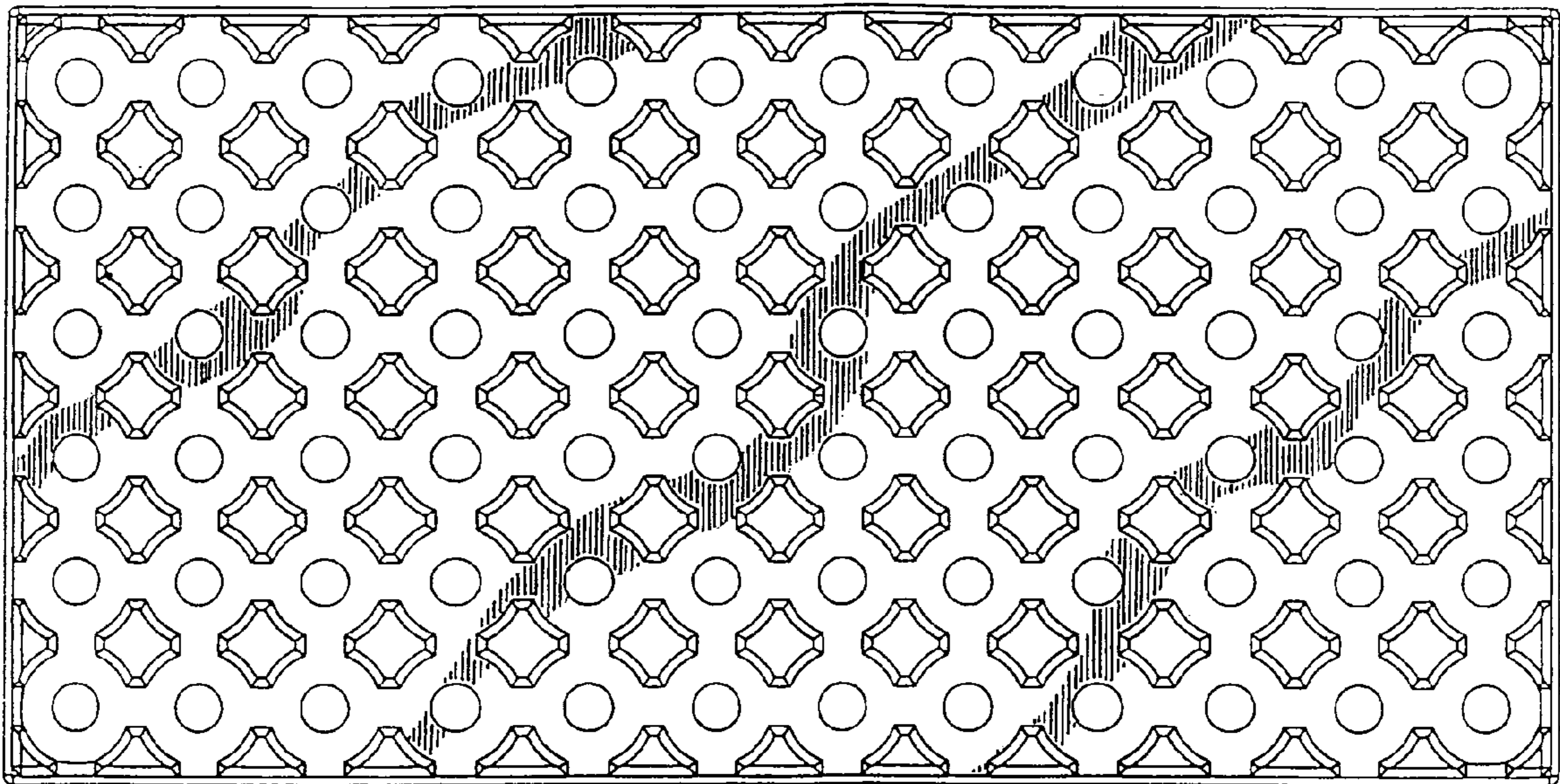


Fig. 2