

US00D645155S

(12) **United States Design Patent**
Niu

(10) **Patent No.:** **US D645,155 S**
(45) **Date of Patent:** **** Sep. 13, 2011**

- (54) **PEDICURE SPA PLATFORM**
 - (75) Inventor: **Nolen P. Niu**, Beverly Hills, CA (US)
 - (73) Assignee: **Skyline Beauty & Spa Products, Inc.**,
Los Angeles, CA (US)
 - (**) Term: **14 Years**
 - (21) Appl. No.: **29/380,479**
 - (22) Filed: **Dec. 6, 2010**
 - (51) **LOC (9) Cl.** **23-02**
 - (52) **U.S. Cl.** **D24/204; D6/336**
 - (58) **Field of Classification Search** D24/200–205,
D24/212, 213, 172; D28/56, 61; D6/336,
D6/495, 482; 601/6, 15, 64, 157–158, 30–32;
607/44; 4/622, 574.1
- See application file for complete search history.

- D563,559 S 3/2008 Ton
- D564,099 S 3/2008 Ton
- D566,407 S 4/2008 Gay
- D568,485 S 5/2008 Ton
- D569,135 S 5/2008 Galati, Jr. et al.
- D571,018 S 6/2008 Ton et al.
- D571,565 S 6/2008 Cheng
- D571,961 S 6/2008 Nguyen
- D572,504 S * 7/2008 Machin D6/482
- D574,502 S 8/2008 Ton
- D576,806 S 9/2008 Le
- D576,807 S 9/2008 Le
- D576,808 S 9/2008 Ton
- D583,171 S 12/2008 Tran
- D583,576 S 12/2008 Tran
- D585,142 S 1/2009 Galati, Jr. et al.
- D588,707 S 3/2009 Mai et al.
- D588,844 S 3/2009 Tran
- D589,285 S 3/2009 Tran
- D592,757 S 5/2009 Le

(Continued)

(56) **References Cited**

U.S. PATENT DOCUMENTS

- D340,370 S * 10/1993 Giugiaro D6/495
- D429,379 S 8/2000 Kim
- D429,380 S 8/2000 Fontier et al.
- D435,937 S 1/2001 Back et al.
- D454,705 S 3/2002 Long et al.
- D460,298 S * 7/2002 Muggleton D6/495
- D470,350 S * 2/2003 Muggleton D6/495
- D479,919 S 9/2003 Genelli et al.
- D498,599 S 11/2004 Luong
- D504,515 S * 4/2005 Smith D24/172
- D546,957 S 7/2007 Ton
- D549,876 S 8/2007 Le
- D550,402 S 9/2007 Nguyen
- D551,513 S * 9/2007 Fiorella D28/61
- D551,803 S * 9/2007 Durante D28/61
- D554,910 S * 11/2007 Krady D6/482
- D560,310 S 1/2008 Le
- D561,903 S 2/2008 Ton
- D562,575 S 2/2008 Le
- D563,558 S 3/2008 Ton

Primary Examiner — David Muller

(74) *Attorney, Agent, or Firm* — Stetina Brunda Garred & Brucker

(57) **CLAIM**

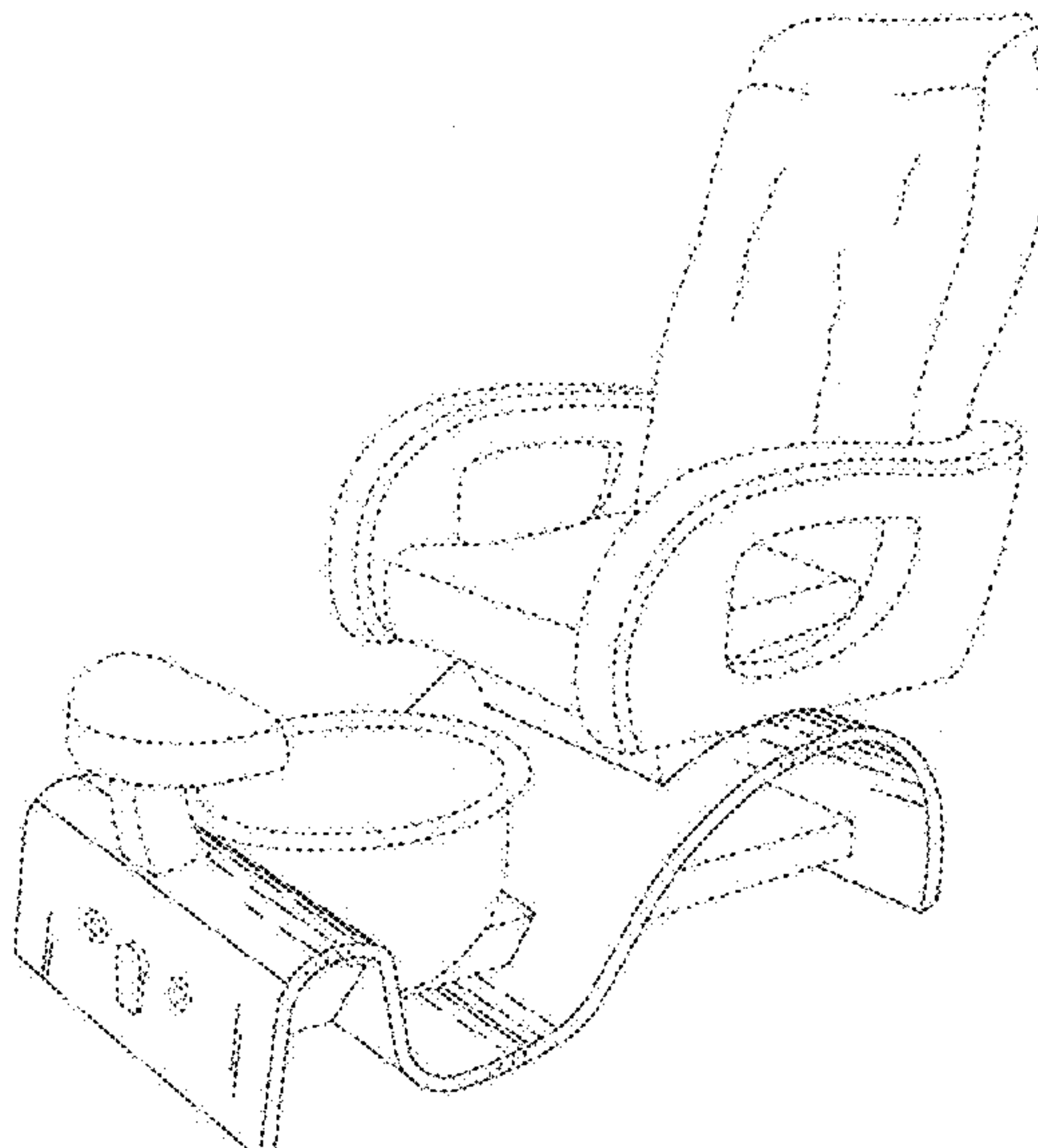
The ornamental design for a pedicure spa platform, as shown and described.

DESCRIPTION

FIG. 1 is a front perspective view of the pedicure spa platform of the present invention showing my new design;
 FIG. 2 is a side elevational view thereof;
 FIG. 3 is a top plan view thereof;
 FIG. 4 is a front end view thereof;
 FIG. 5 is a rear end view thereof; and,
 FIG. 6 is a bottom plan view thereof.

The broken line showing of parts of the drawings is included for the purpose of illustrating use and environment and forms no part of the claimed design.

1 Claim, 2 Drawing Sheets



US D645,155 S

Page 2

U.S. PATENT DOCUMENTS

D595,059 S	6/2009	Ton	
D598,969 S *	8/2009	Deason	D6/495
D600,355 S	9/2009	Ton	
D600,356 S	9/2009	Ton	
D600,815 S	9/2009	Ton	
D600,817 S	9/2009	Ton	
D600,926 S	9/2009	Le	
D602,163 S	10/2009	Ton	
D602,269 S *	10/2009	Jamison et al.	D6/336
7,597,390 B2	10/2009	Galati, Jr. et al.	
D608,454 S	1/2010	Mai et al.	
D608,898 S	1/2010	Ton	
7,655,167 B2	2/2010	Ton	
D612,509 S	3/2010	Tran	
D613,869 S	4/2010	Ton	
D614,306 S	4/2010	Mai	
D615,326 S	5/2010	Tran	
D616,560 S	5/2010	Cong	
D616,561 S	5/2010	Ton	
D616,562 S	5/2010	Ton	
D619,727 S	7/2010	Le	
D620,126 S	7/2010	Le	
D621,519 S	8/2010	Ton	
D621,948 S	8/2010	Ton	
D622,522 S *	8/2010	Lewis	D6/495
D623,428 S	9/2010	Galati, Jr. et al.	
D624,337 S *	9/2010	Kapasi	D6/482
D624,656 S	9/2010	Ton	
D624,761 S	10/2010	Le	
D626,360 S	11/2010	Galati, Jr. et al.	
D627,993 S *	11/2010	Peart et al.	D6/495
2008/0010741 A1	1/2008	Ton et al.	
2008/0022453 A1	1/2008	Ton	
2008/0276365 A1	11/2008	Ton	
2008/0295244 A1	12/2008	Ton	
2009/0058164 A1	3/2009	Ton	
2009/0064406 A1	3/2009	Lawyer et al.	
2009/0271922 A1	11/2009	Ton	
2009/0320202 A1	12/2009	Lawyer et al.	
2010/0005583 A1	1/2010	Ton	
2010/0101016 A1	4/2010	Ton	

* cited by examiner

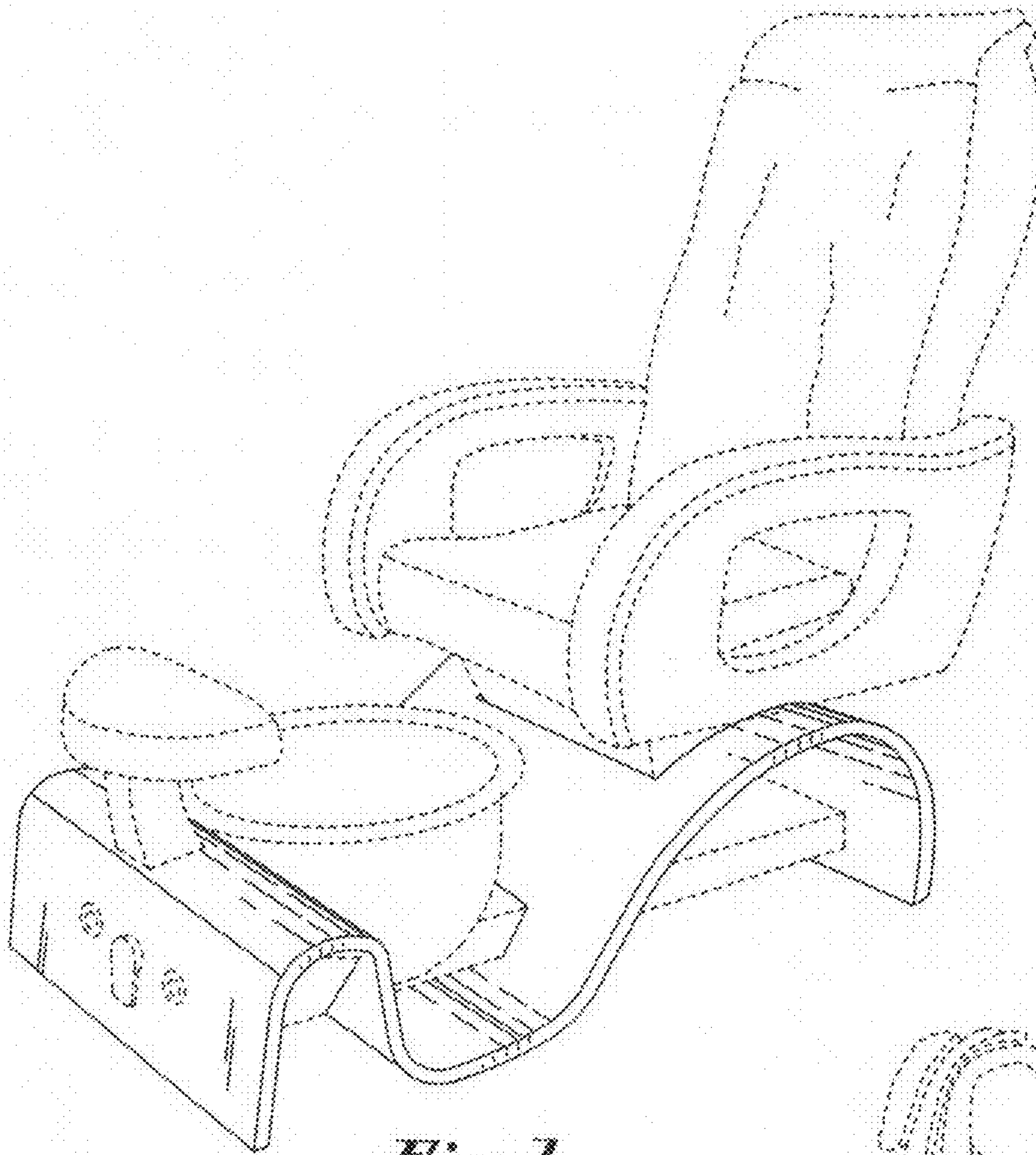


Fig. 1

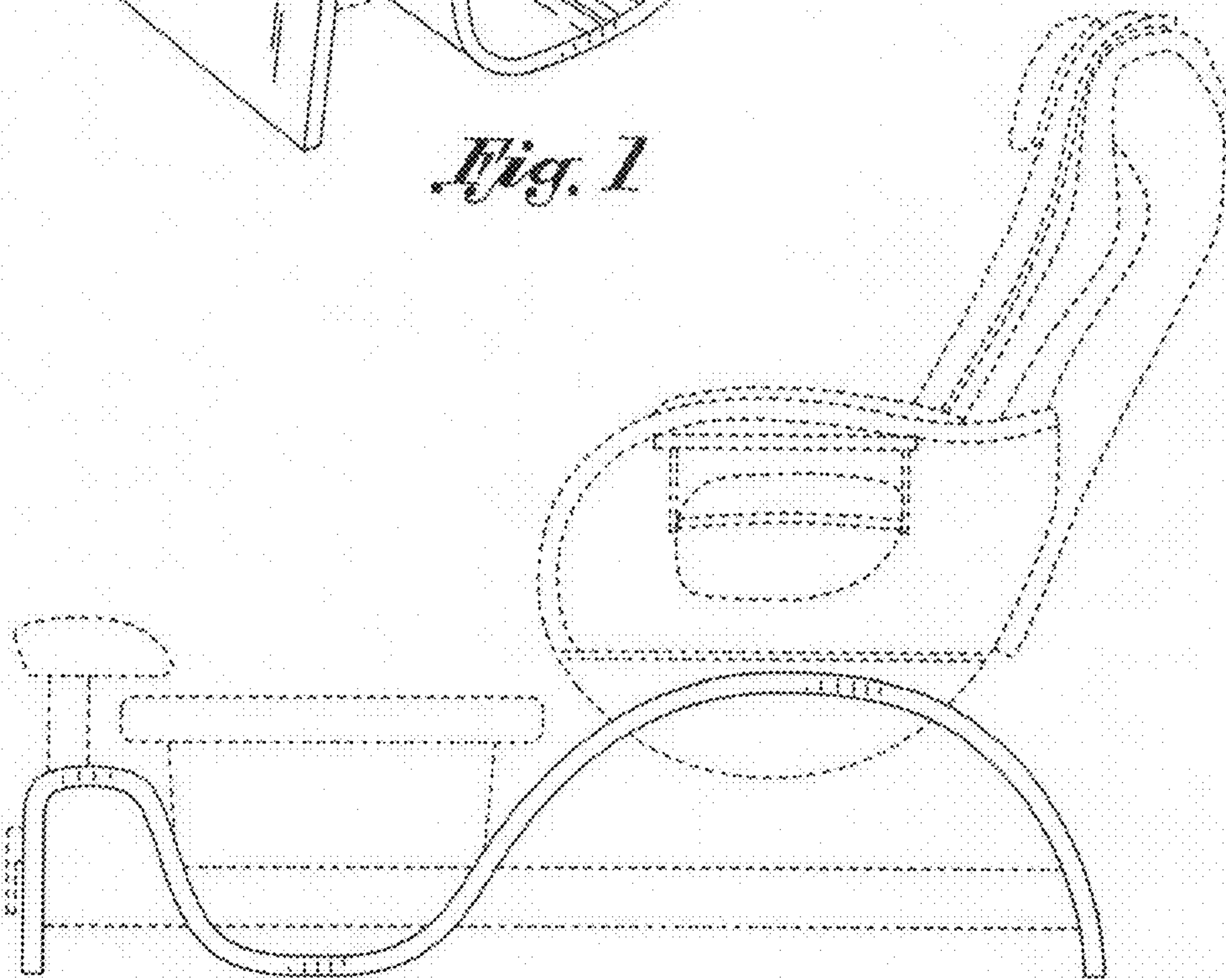


Fig. 2

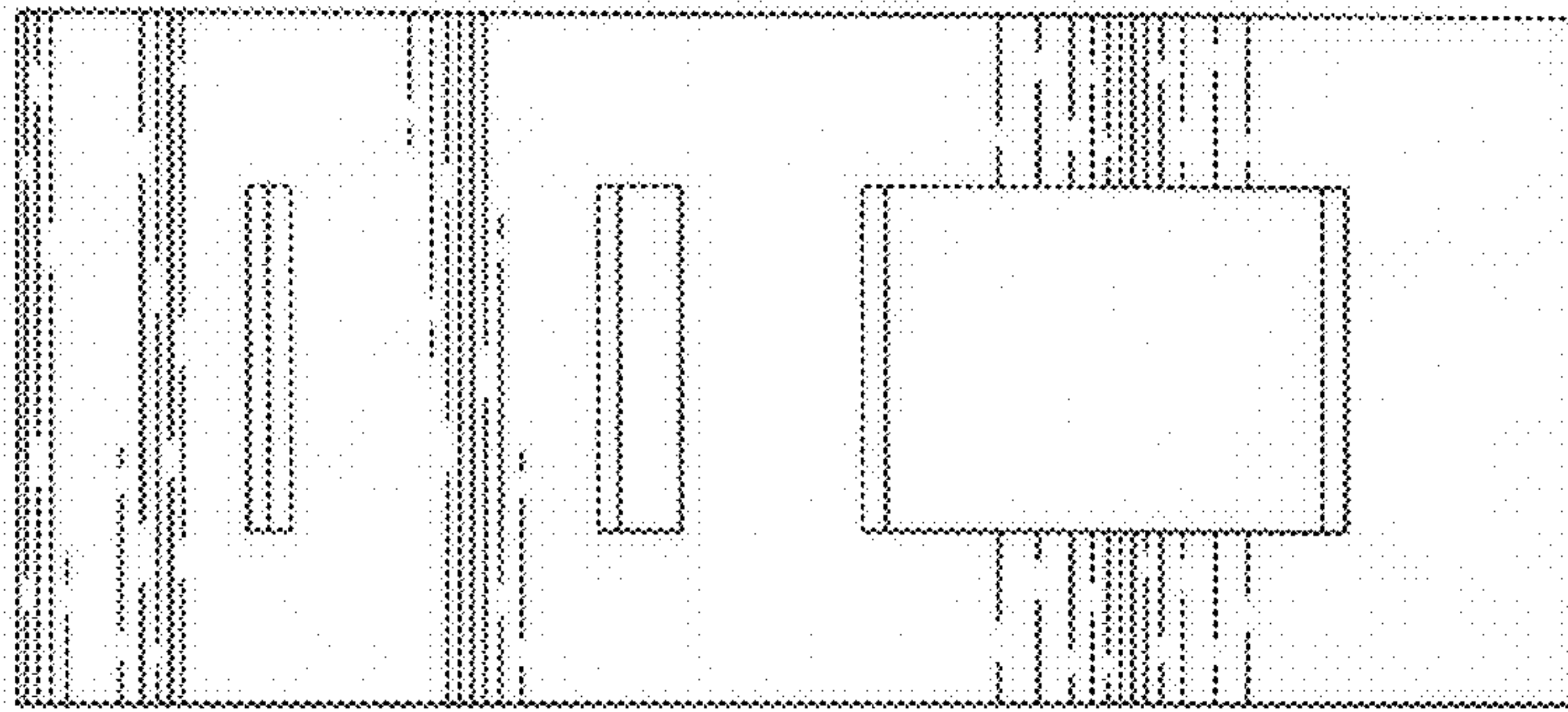


Fig. 3

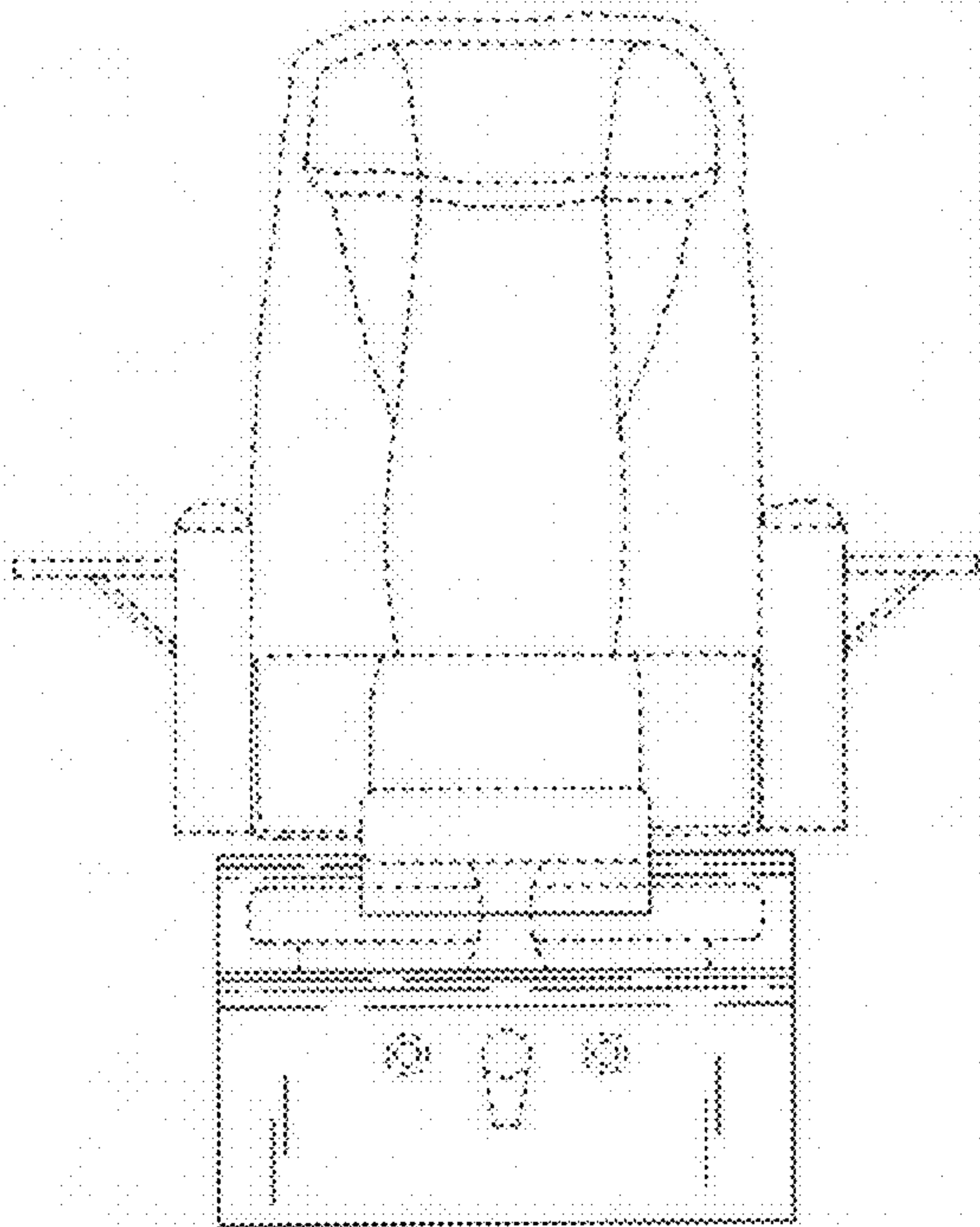


Fig. 4

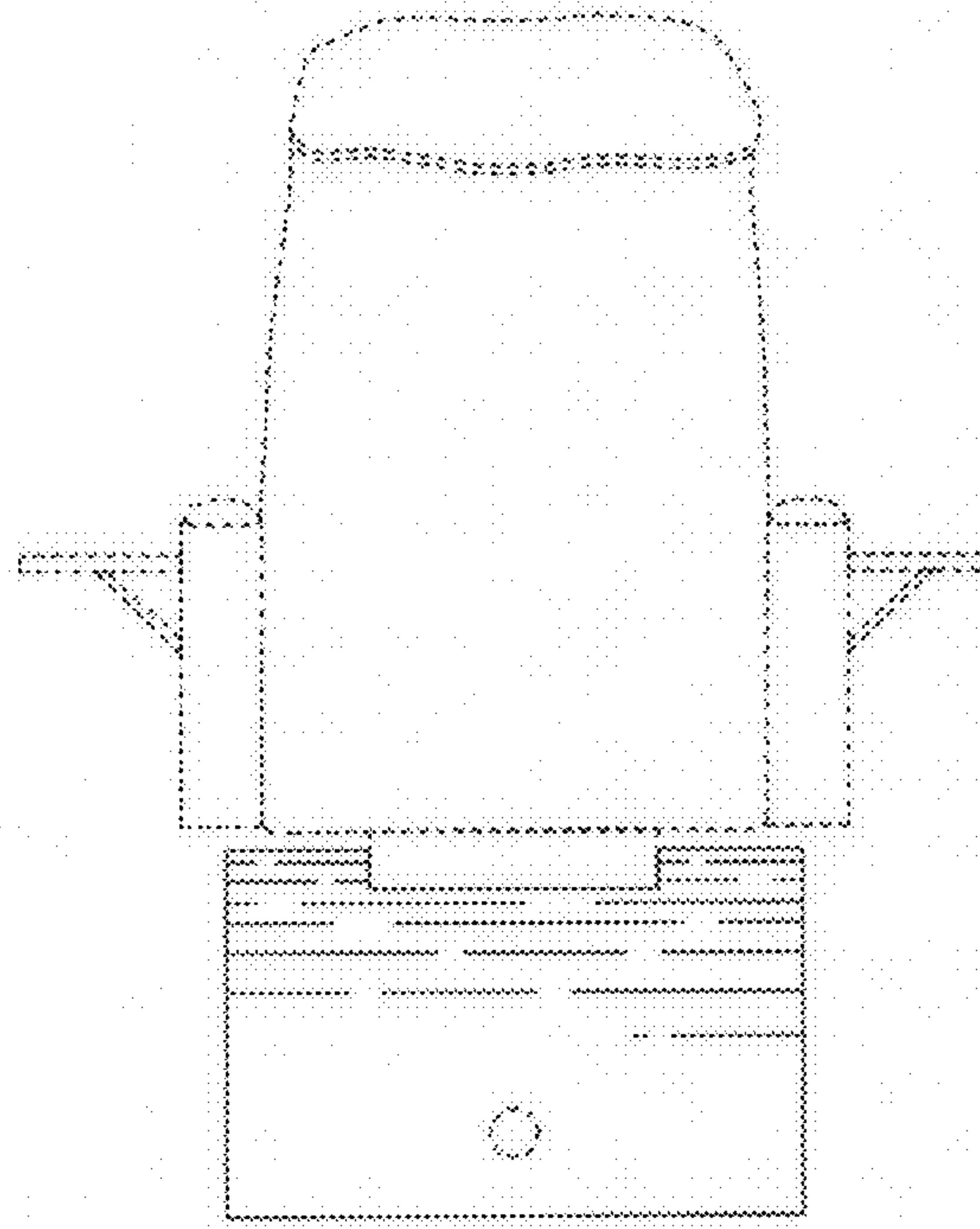


Fig. 5

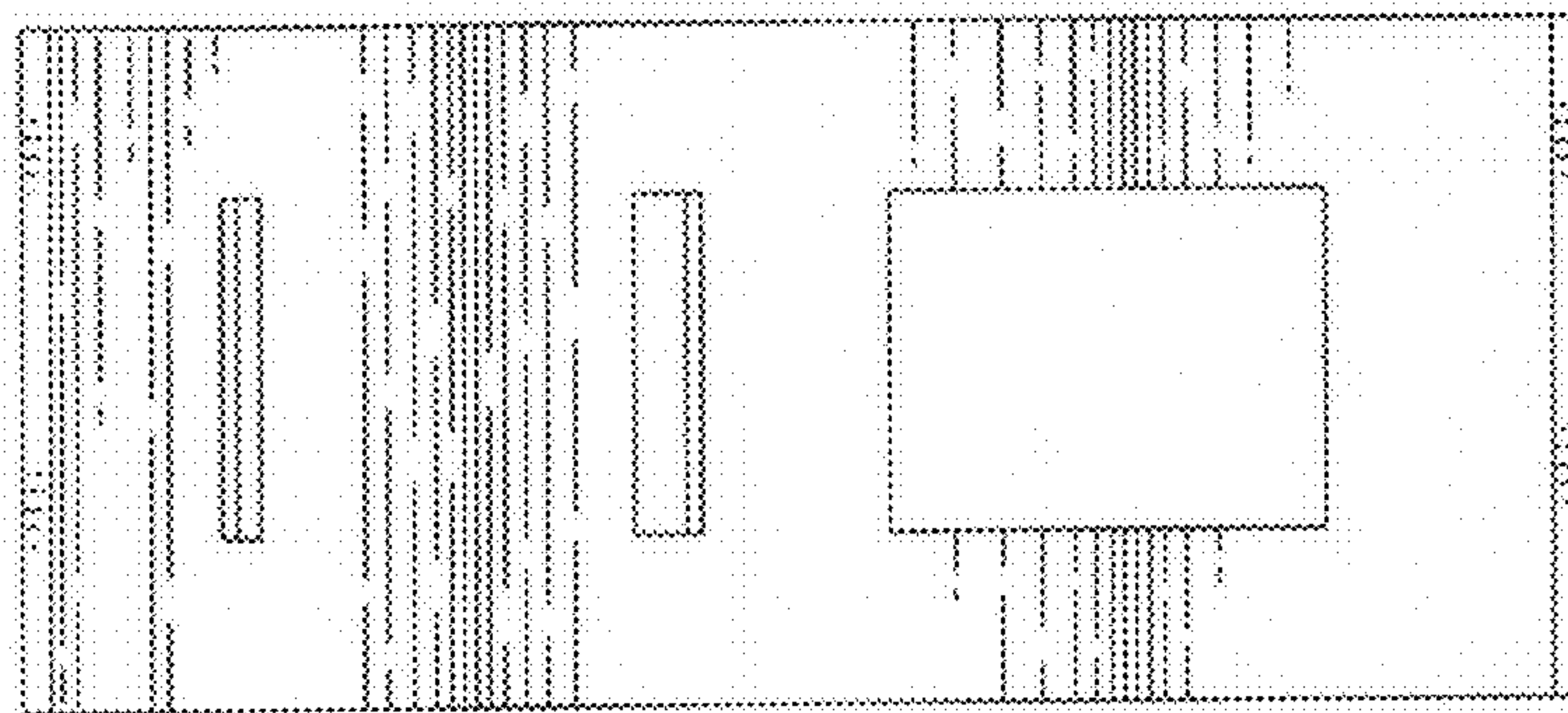


Fig. 6