



US00D645153S

(12) **United States Design Patent**  
**Anderson et al.**

(10) **Patent No.:** **US D645,153 S**

(45) **Date of Patent:** **\*\* \*Sep. 13, 2011**

(54) **ORTHOPEdic BOOT**

(75) Inventors: **Gregory S. Anderson**, Sandy, UT (US);  
**Kade T. Huntsman**, Holladay, UT (US);  
**Dale C. Gledhill**, Sandy, UT (US);  
**Douglas R. Burrell**, Springville, UT  
(US); **David Xiao**, Hangzhou (CN)

(73) Assignee: **Pulse, LLC**, Draper, UT (US)

(\*) Notice: This patent is subject to a terminal disclaimer.

(\*\*) Term: **14 Years**

(21) Appl. No.: **29/376,429**

(22) Filed: **Oct. 6, 2010**

(51) **LOC (9) Cl.** ..... **24-01**

(52) **U.S. Cl.** ..... **D24/192**

(58) **Field of Classification Search** ..... D24/190,  
D24/192; 602/2, 5, 22-23, 27-29, 64-65;  
D2/946-947, 953-954, 957, 960; 36/88-89;  
128/882

See application file for complete search history.

(56) **References Cited**

**U.S. PATENT DOCUMENTS**

4,962,760	A *	10/1990	Jones	602/27
D345,421	S *	3/1994	Schumann et al.	D24/192
D434,504	S *	11/2000	Miller	D24/192
D487,955	S *	4/2004	Ammon	D2/953
D589,692	S *	4/2009	McClaskie	D2/957
D596,301	S *	7/2009	Campos et al.	D24/192

7,618,388	B1 *	11/2009	Chan	602/23
7,666,157	B2 *	2/2010	Win	602/23
D619,726	S *	7/2010	Win	D24/192
7,896,826	B2 *	3/2011	Hu et al.	602/23
2002/0128574	A1 *	9/2002	Darby	602/23
2007/0191749	A1 *	8/2007	Barberio	602/23
2008/0269656	A1 *	10/2008	Arnold et al.	602/28
2009/0099495	A1 *	4/2009	Campos et al.	602/27
2009/0306565	A1 *	12/2009	Chan	602/28
2011/0009791	A1 *	1/2011	Hopmann	602/23
2011/0015555	A1 *	1/2011	Anderson et al.	602/2

\* cited by examiner

*Primary Examiner* — Susan E Krakower

(74) *Attorney, Agent, or Firm* — Pate Baird, PLLC

(57) **CLAIM**

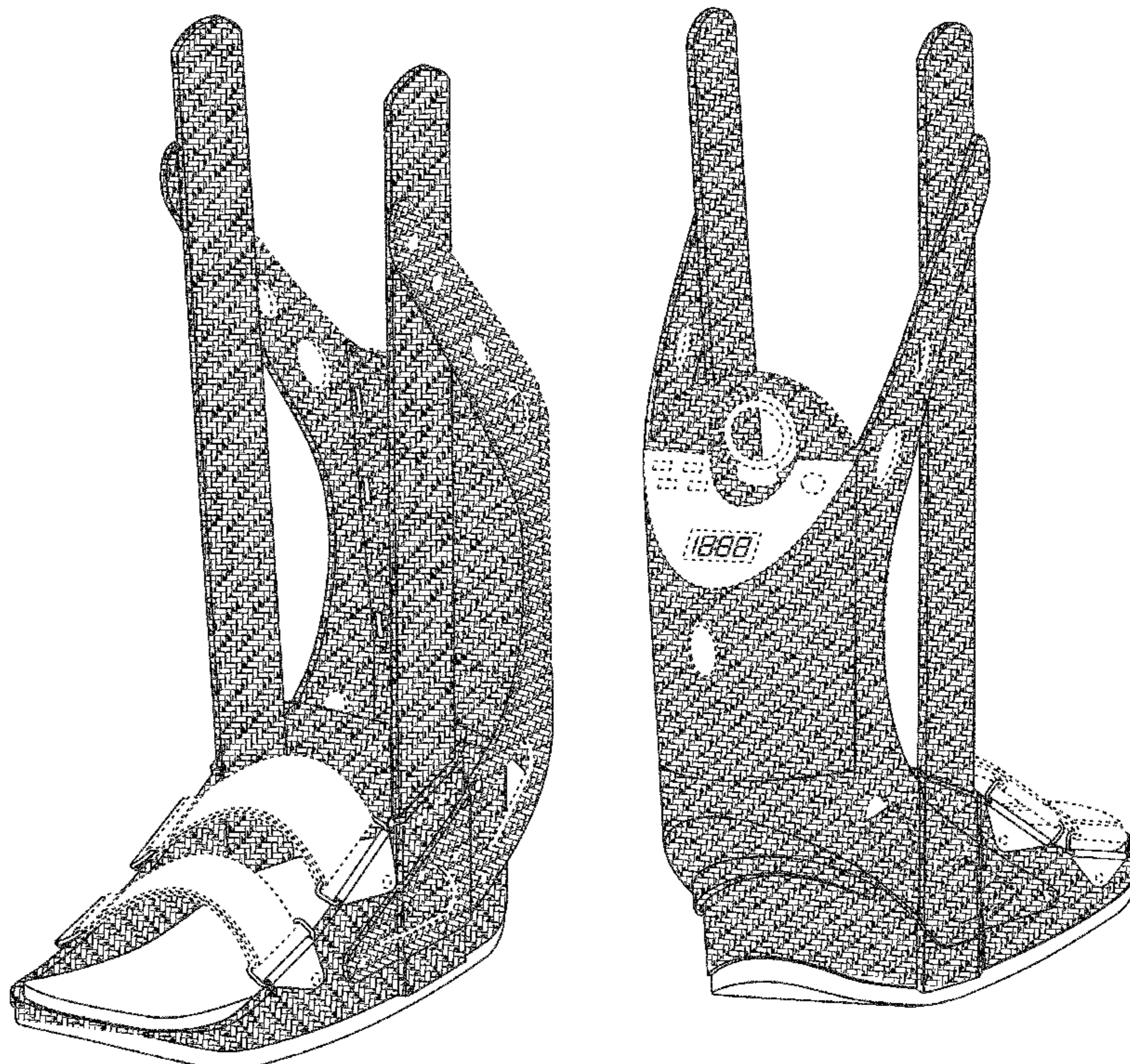
The ornamental design for a orthopedic boot, as shown and described.

**DESCRIPTION**

FIG. 1 is frontal isometric view of an orthopedic boot in accordance with our new design;  
FIG. 2 is a rear isometric view thereof;  
FIG. 3 is frontal elevation view thereof;  
FIG. 4 is rear elevation view thereof;  
FIG. 5 is right side elevation view thereof;  
FIG. 6 is left side elevation view thereof;  
FIG. 7 is top plan view thereof; and,  
FIG. 8 is bottom plan view thereof.

The broken lines illustrate portions of the orthopedic boot which form no part of the claimed design.

**1 Claim, 6 Drawing Sheets**



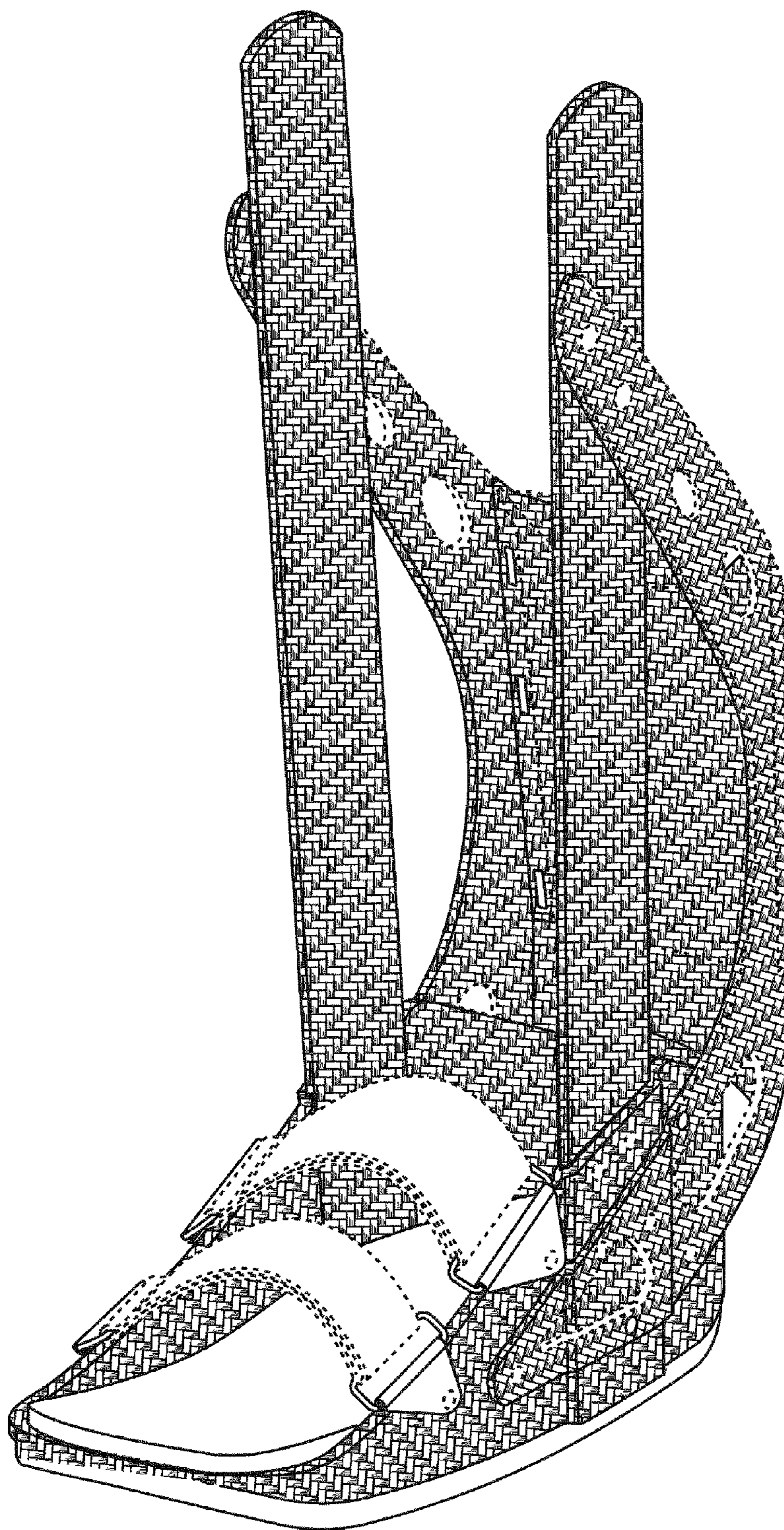


FIG. 1

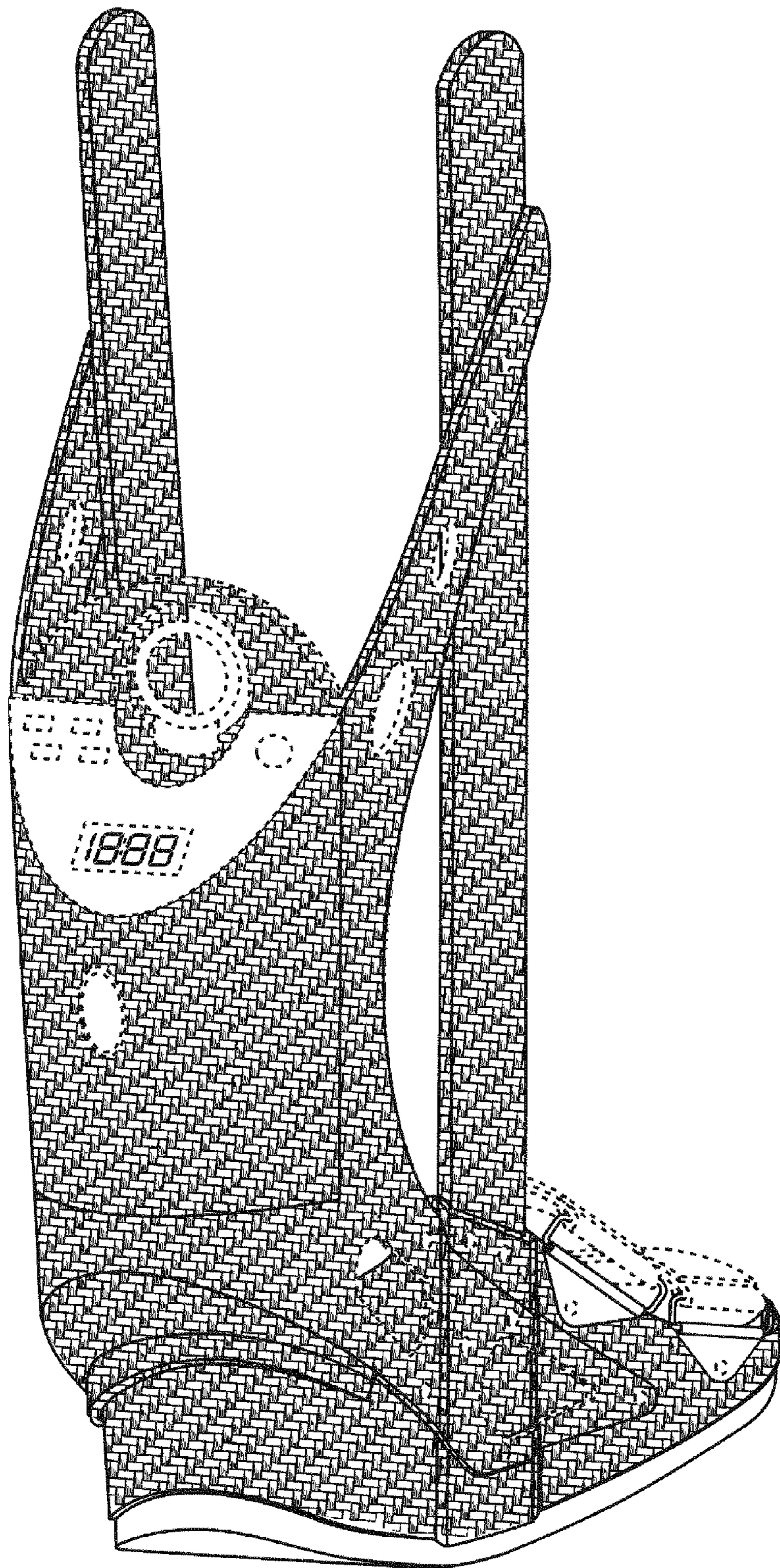


FIG. 2

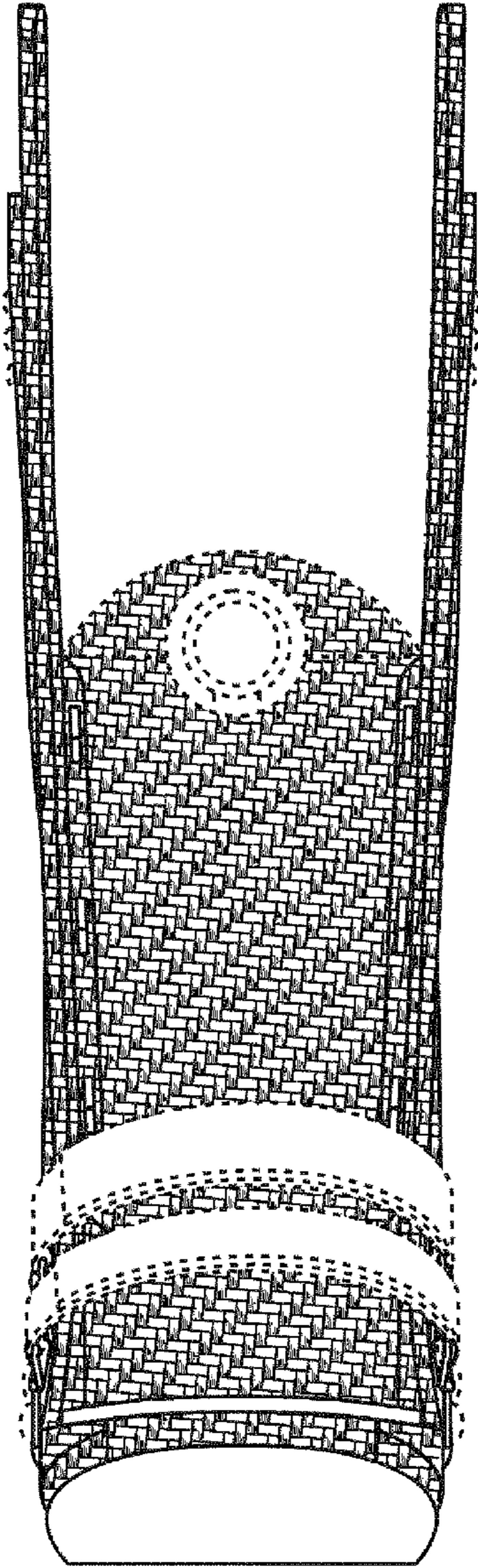


FIG. 3

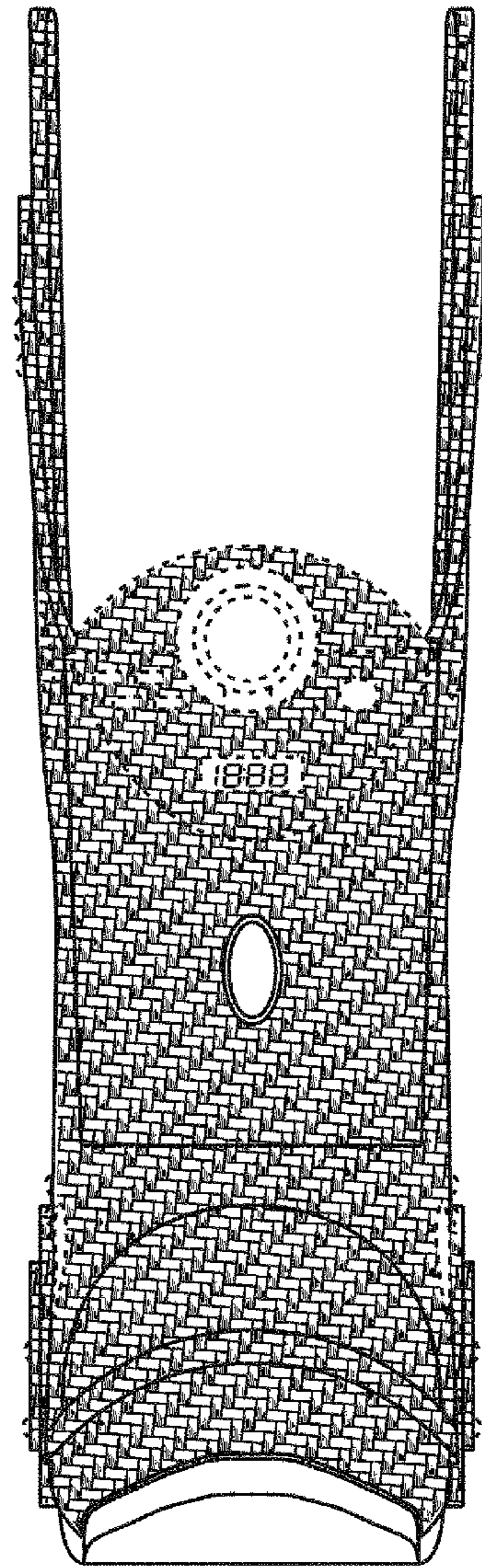


FIG. 4

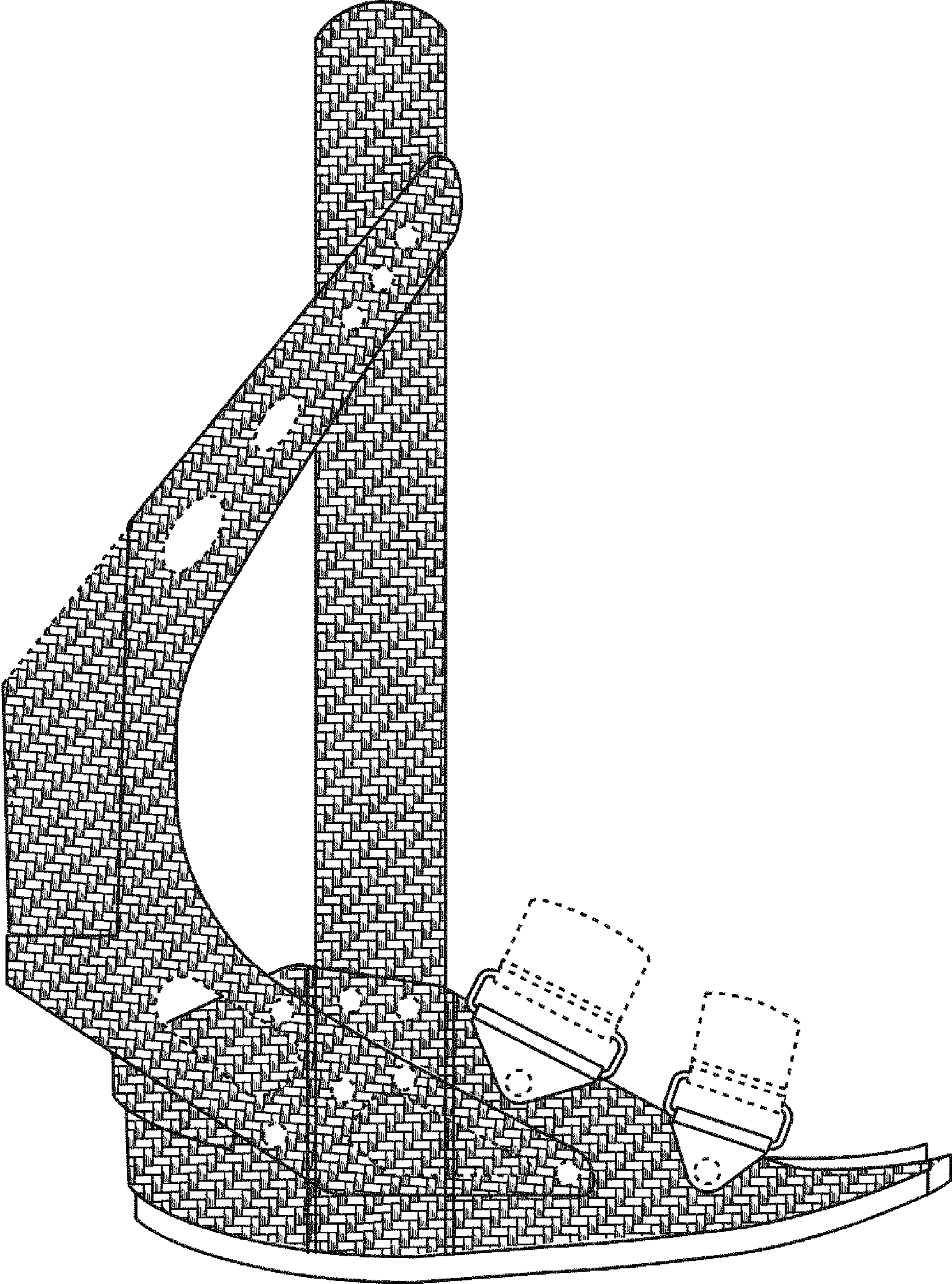


FIG. 5

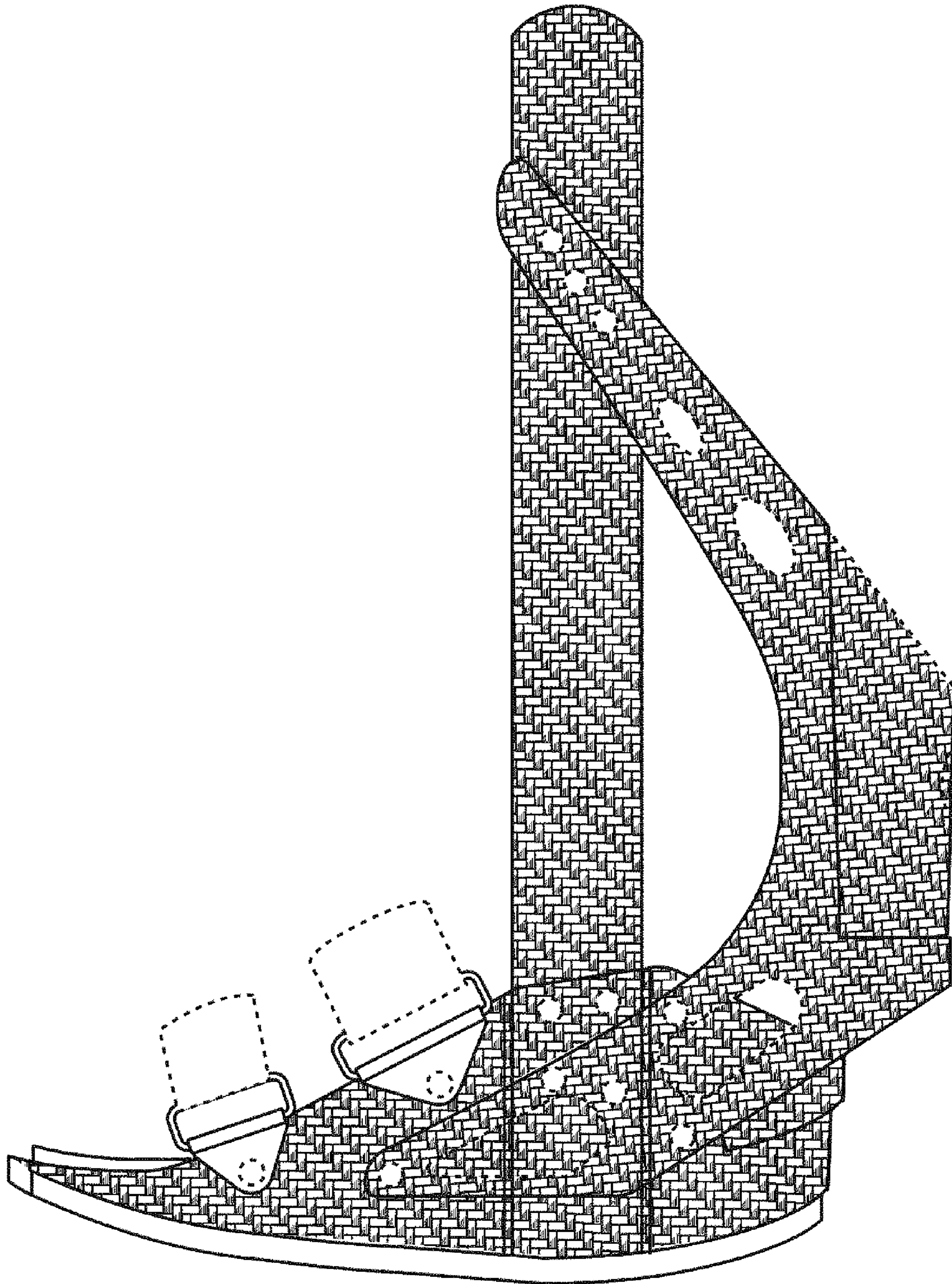


FIG. 6

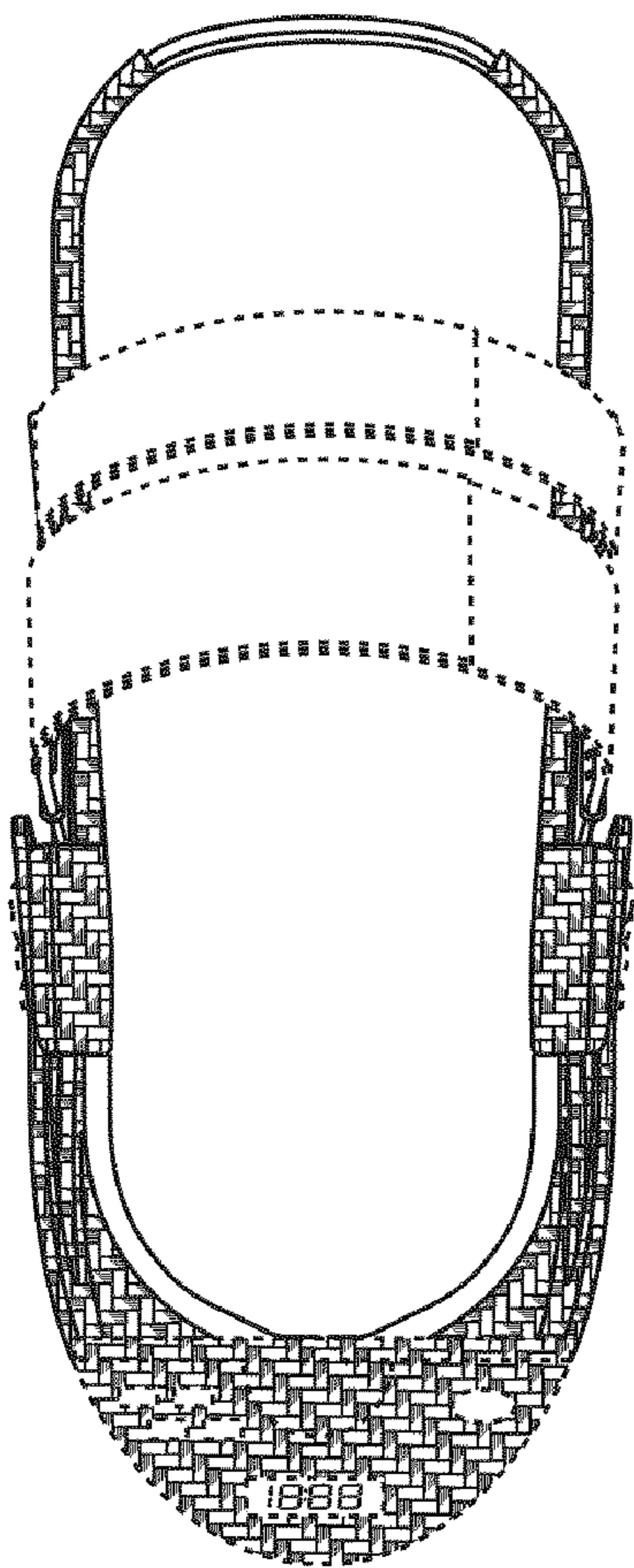


FIG. 7

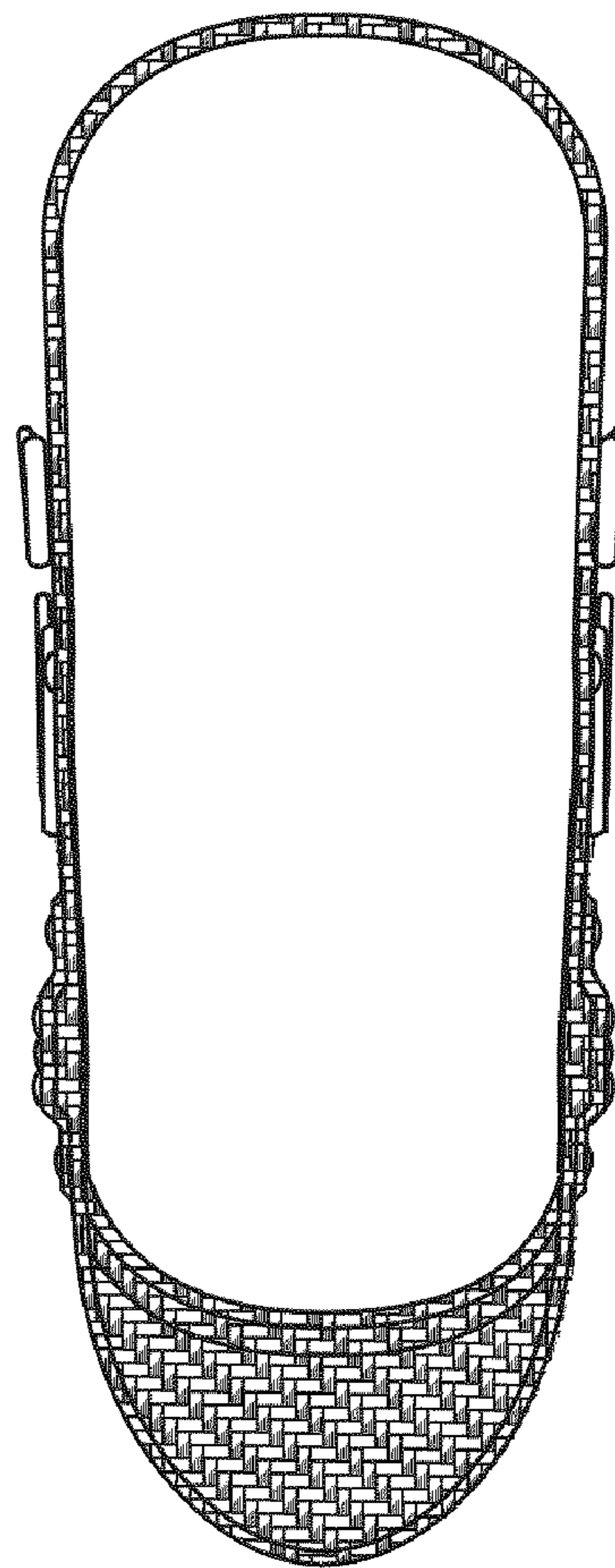


FIG. 8