



US00D645152S

(12) **United States Design Patent**
Roggenkamp

(10) **Patent No.:** **US D645,152 S**

(45) **Date of Patent:** **** Sep. 13, 2011**

(54) **SLEEP AID**

(76) Inventor: **Kelly D. Roggenkamp**, Georgetown, IN (US)

(**) Term: **14 Years**

(21) Appl. No.: **29/383,789**

(22) Filed: **Jan. 21, 2011**

(51) **LOC (9) Cl.** **24-01**

(52) **U.S. Cl.** **D24/184; D8/366**

(58) **Field of Classification Search** D24/110, D24/110.1, 127-128, 171, 183-184, 190-191, D24/206, 231; D6/323, 411, 574; D8/37, D8/40, 363, 365-367, 349, 394-395, 380-381, D8/371-373, 353-354, 404, 70, 73; D12/51, D12/126, 223, 162, 187; D21/662, 789; D23/441; 248/15, 208, 210, 220.22, 243, 248/265, 267; D34/35; D25/119, 126, 131-132, D25/68; 52/426, 506.06, 506.07, 686-687, 52/284; D9/447; D14/432, 238; D26/138; D29/113

See application file for complete search history.

(56) **References Cited**

U.S. PATENT DOCUMENTS

2,284,058	A	5/1942	Kaiser et al.	
2,528,370	A	10/1950	Johnston	
D270,574	S *	9/1983	Black	D25/68
D274,803	S *	7/1984	Hughes	D12/126
4,700,697	A	10/1987	Mundell et al.	
4,782,824	A	11/1988	Davies	
D310,520	S *	9/1990	Bedard	D14/432
D360,544	S *	7/1995	Gauthier	D6/411
D367,220	S *	2/1996	Bush	D8/373
D407,821	S *	4/1999	Steele	D24/190
D409,077	S *	5/1999	Brooks	D8/354
D410,089	S *	5/1999	Schiavoni	D24/191
D422,886	S *	4/2000	Shea	D8/354
6,231,535	B1	5/2001	Mainiero et al.	
D465,724	S *	11/2002	Goodman et al.	D8/367
D468,019	S *	12/2002	Slautterback	D24/190
D487,122	S *	2/2004	Farris, Jr.	D21/662
6,725,511	B1	4/2004	Rodseth	

D491,054	S *	6/2004	Caterinacci, Jr.	D8/381
D494,050	S *	8/2004	Klein et al.	D8/373
D494,051	S *	8/2004	Klein et al.	D8/373
6,786,554	B1	9/2004	Zahiri	
D509,468	S *	9/2005	Viger	D12/223
D520,322	S *	5/2006	Orlando	D8/70
D529,792	S *	10/2006	Klein et al.	D8/373
D533,828	S *	12/2006	Reimitz	D12/223

(Continued)

Primary Examiner — T. Chase Nelson

Assistant Examiner — Mark Cavanna

(74) *Attorney, Agent, or Firm* — Robert H. Eichenberger; Scott W. Higdon; Middleton Reutlinger

(57) **CLAIM**

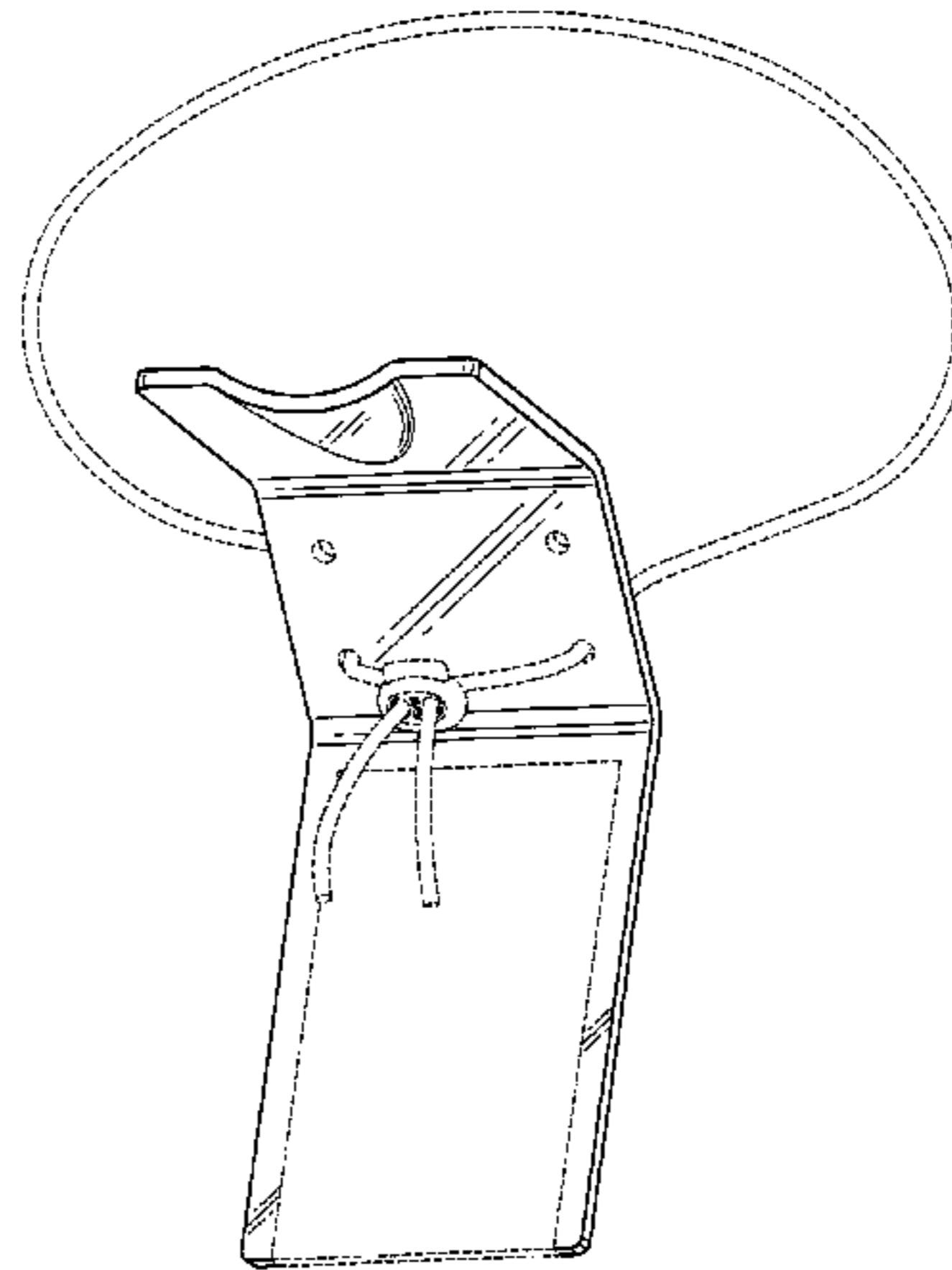
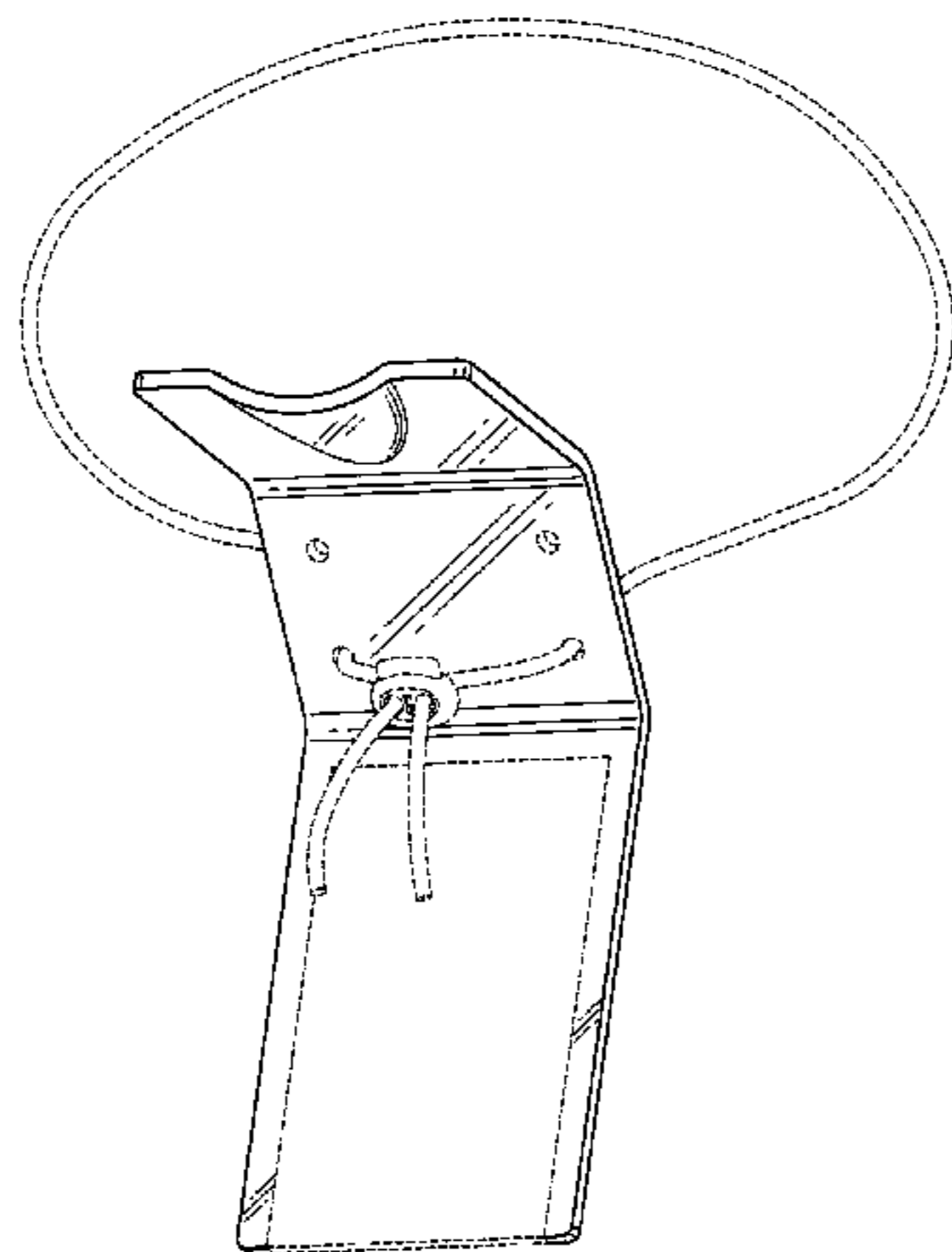
The ornamental design for a sleep aid, as shown and described.

DESCRIPTION

FIG. 1 is a front left side perspective view of a first embodiment of a sleep aid showing my design; FIG. 2 is a front elevational view thereof; FIG. 3 is a rear elevational view thereof; FIG. 4 is a right side elevational view thereof; FIG. 5 is a left side elevational view thereof; FIG. 6 is a top plan view thereof; FIG. 7 is a bottom plan view thereof; FIG. 8 is a front left side perspective view of a second embodiment of the sleep aid of my design; FIG. 9 is a front elevational view thereof; FIG. 10 is a rear elevational view thereof; FIG. 11 is a right side elevational view thereof; FIG. 12 is a left side elevational view thereof; FIG. 13 is a top plan view thereof; and, FIG. 14 is a bottom plan view thereof.

The broken lines showing environmental structure are for illustrative purposes only and form no part of the claimed design. The dashed-dotted broken lines that form a large rectangle toward the bottom of the sleep aid define the bounds of the claimed design and form no part of the claimed design.

1 Claim, 14 Drawing Sheets



US D645,152 S

Page 2

U.S. PATENT DOCUMENTS

D543,834 S *	6/2007	Worthy	D8/354	D615,848 S *	5/2010	Prichard et al.	D8/354
D550,849 S *	9/2007	Baker	D24/191	D626,820 S *	11/2010	Boaler et al.	D8/373
D551,538 S *	9/2007	Pearce	D8/354	D636,927 S *	4/2011	Lin	D26/138
D556,014 S *	11/2007	Wurdack	D8/349	D636,928 S *	4/2011	Lin	D26/138
D582,918 S *	12/2008	Scott	D14/432	2006/0266369 A1	11/2006	Atkinson et al.	
D584,598 S *	1/2009	Dale	D8/354	2008/0041374 A1	2/2008	Reddick	
D592,760 S *	5/2009	Diener et al.	D24/231	2008/0223377 A1	9/2008	Kussick	
D609,996 S *	2/2010	Le	D8/380	2009/0264802 A1	10/2009	Chen	
D615,187 S *	5/2010	Bowden	D24/110				

* cited by examiner

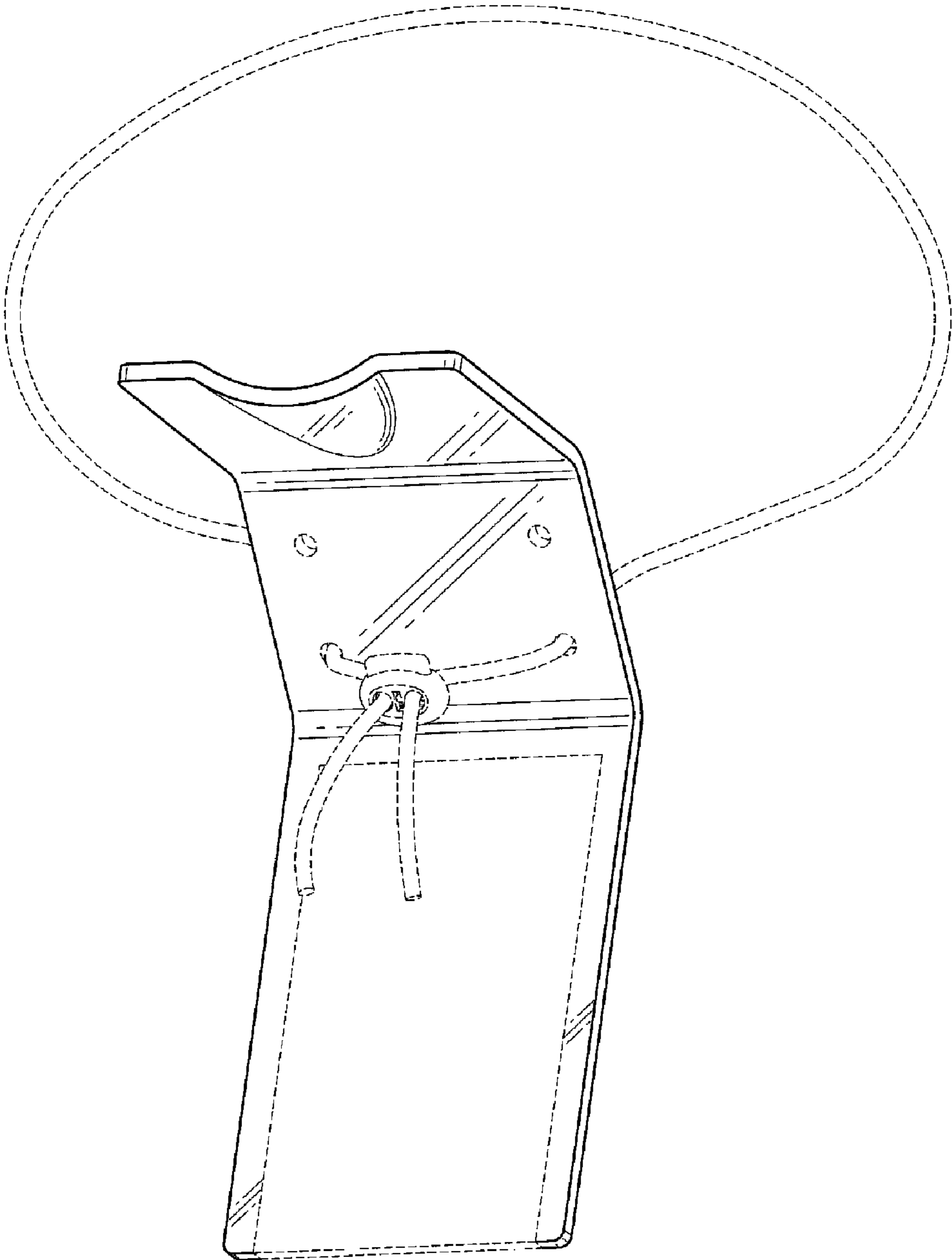


FIG. 1

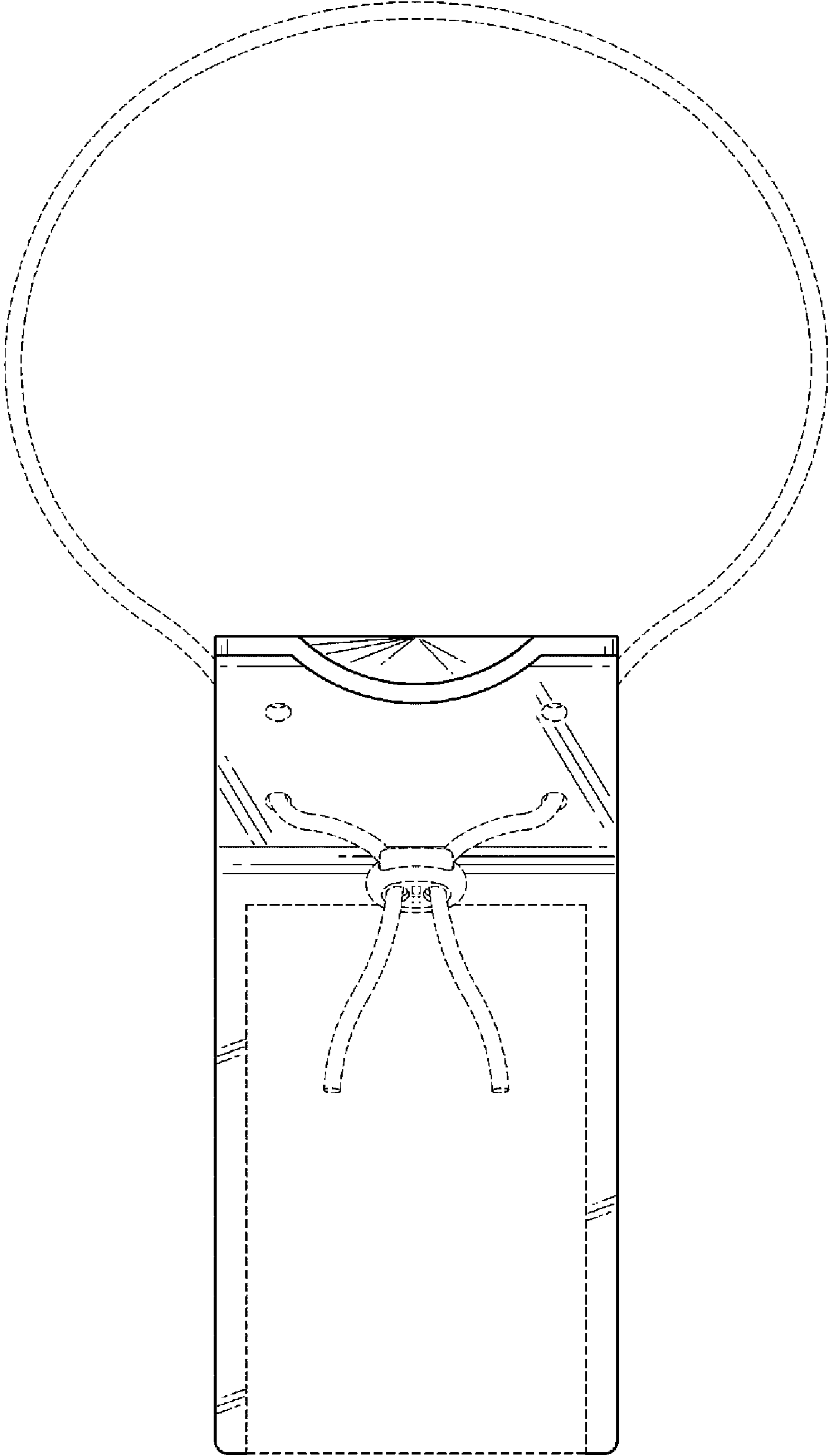


FIG. 2

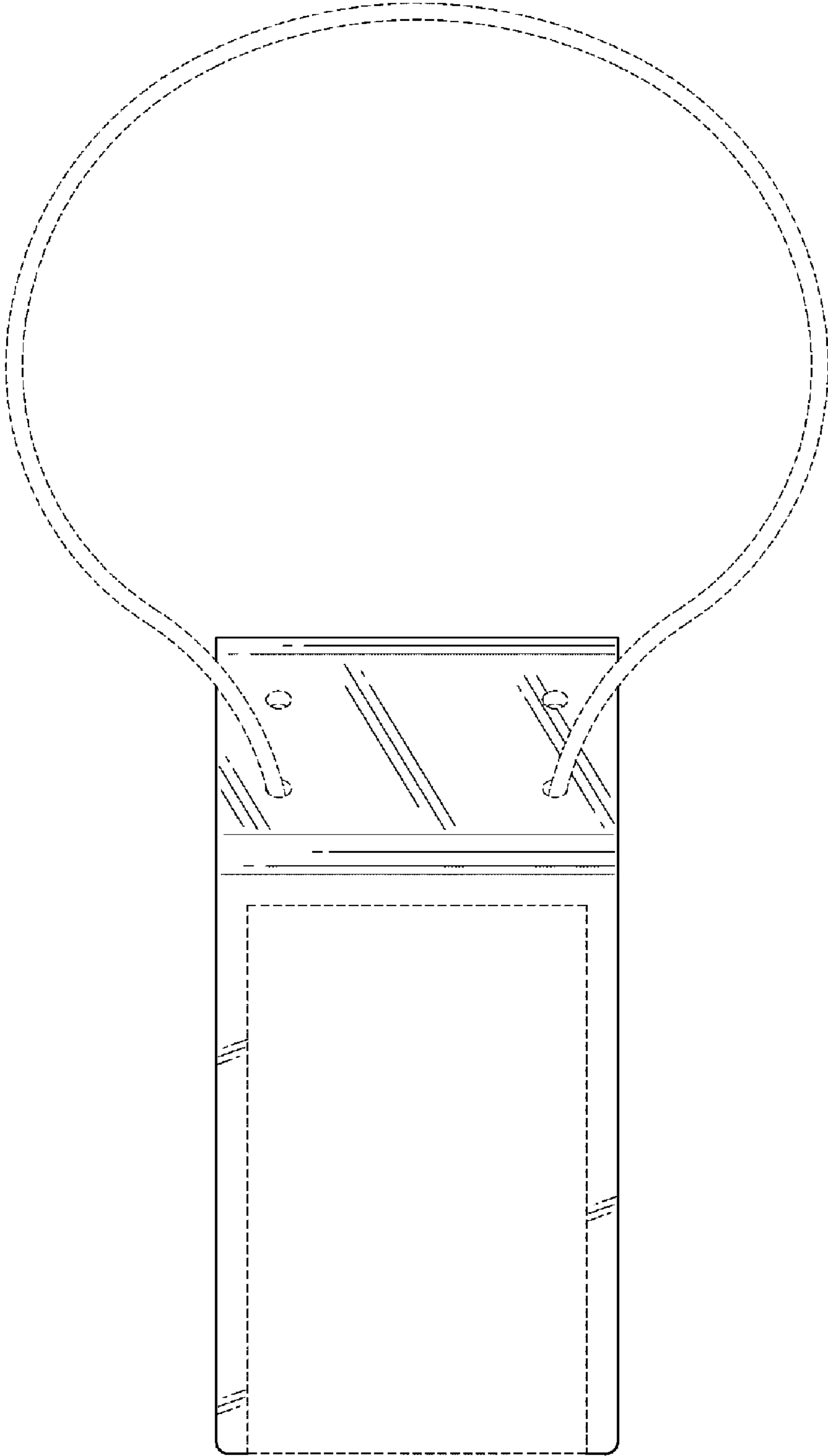


FIG. 3

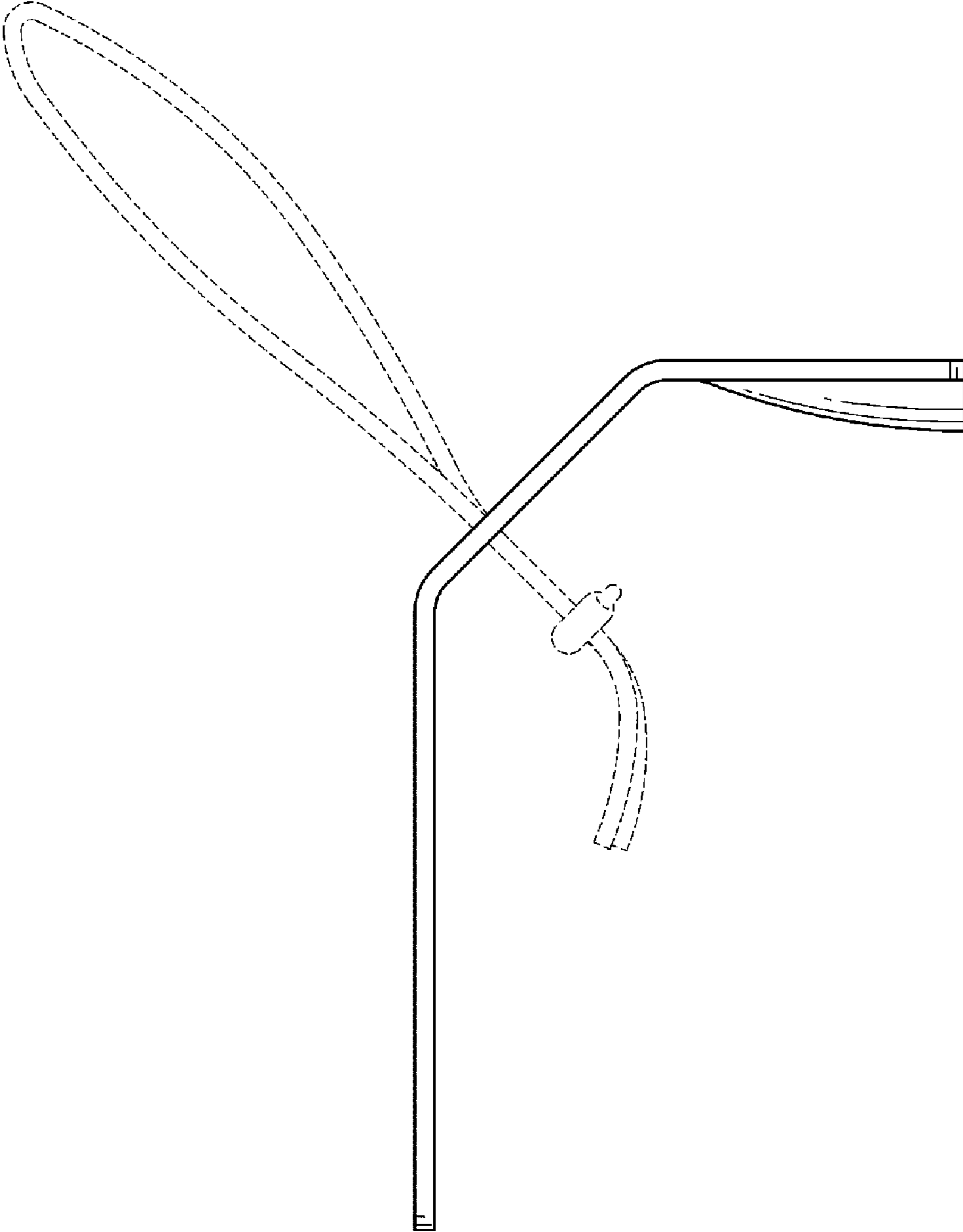


FIG. 4

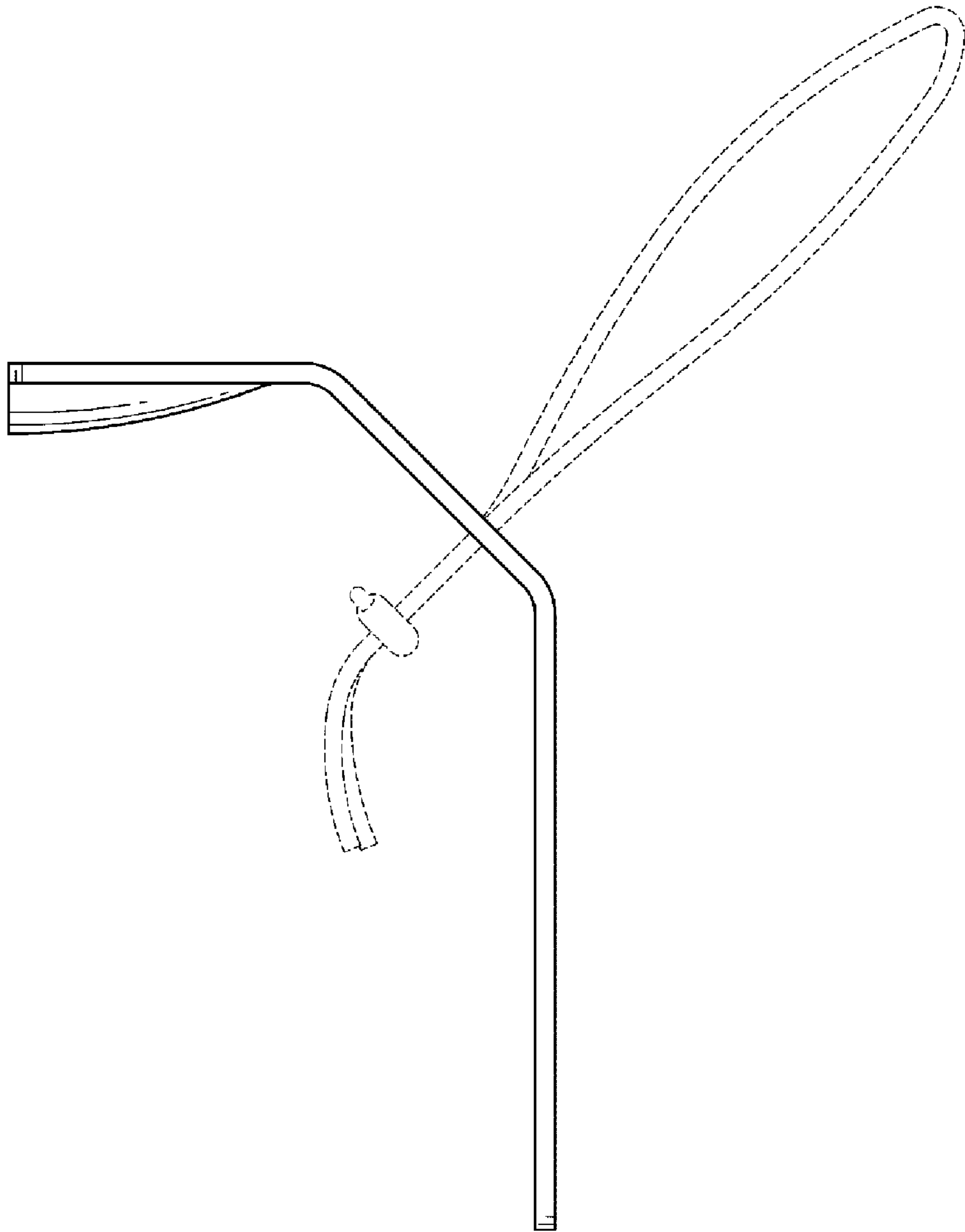


FIG. 5

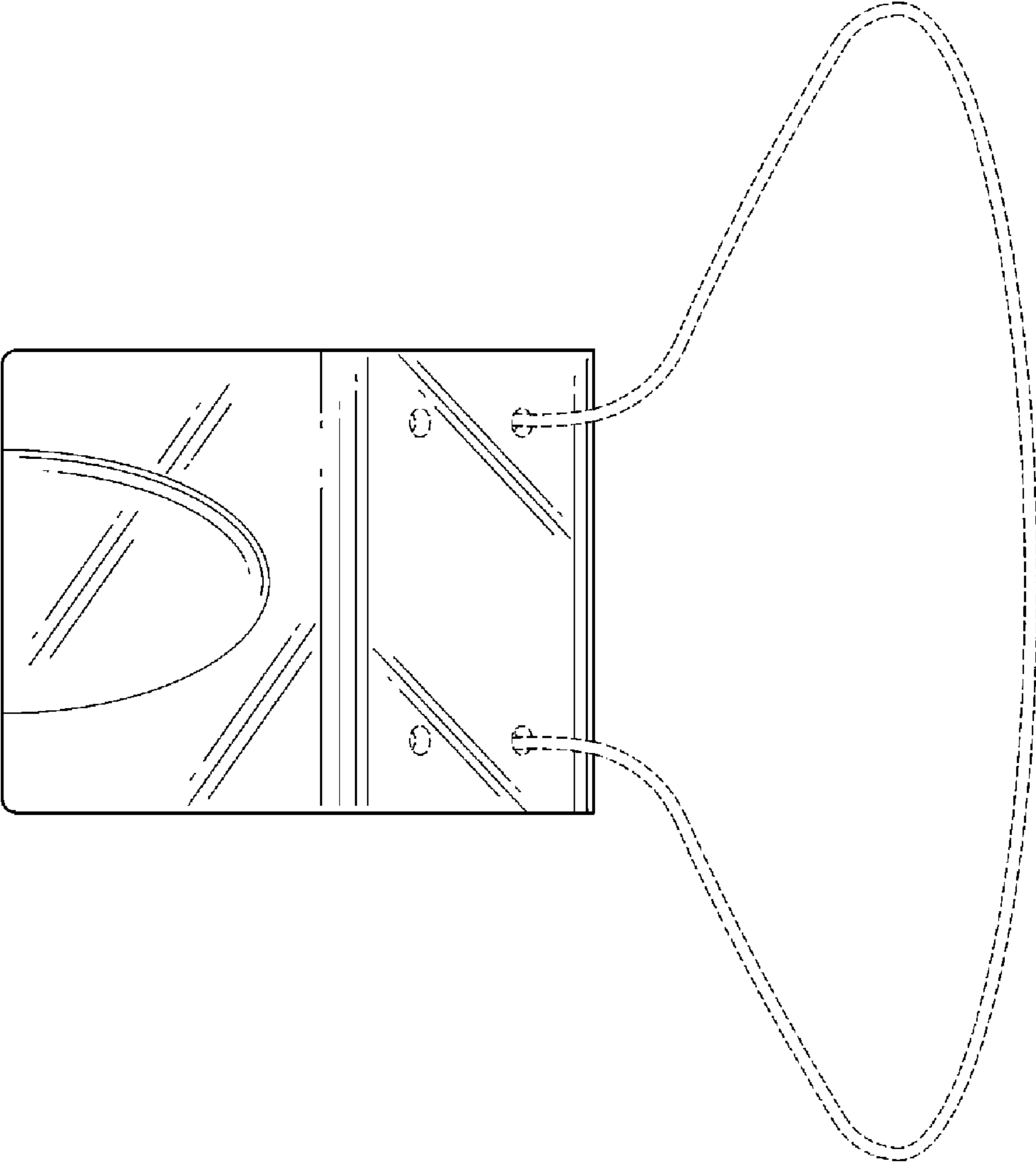


FIG. 6

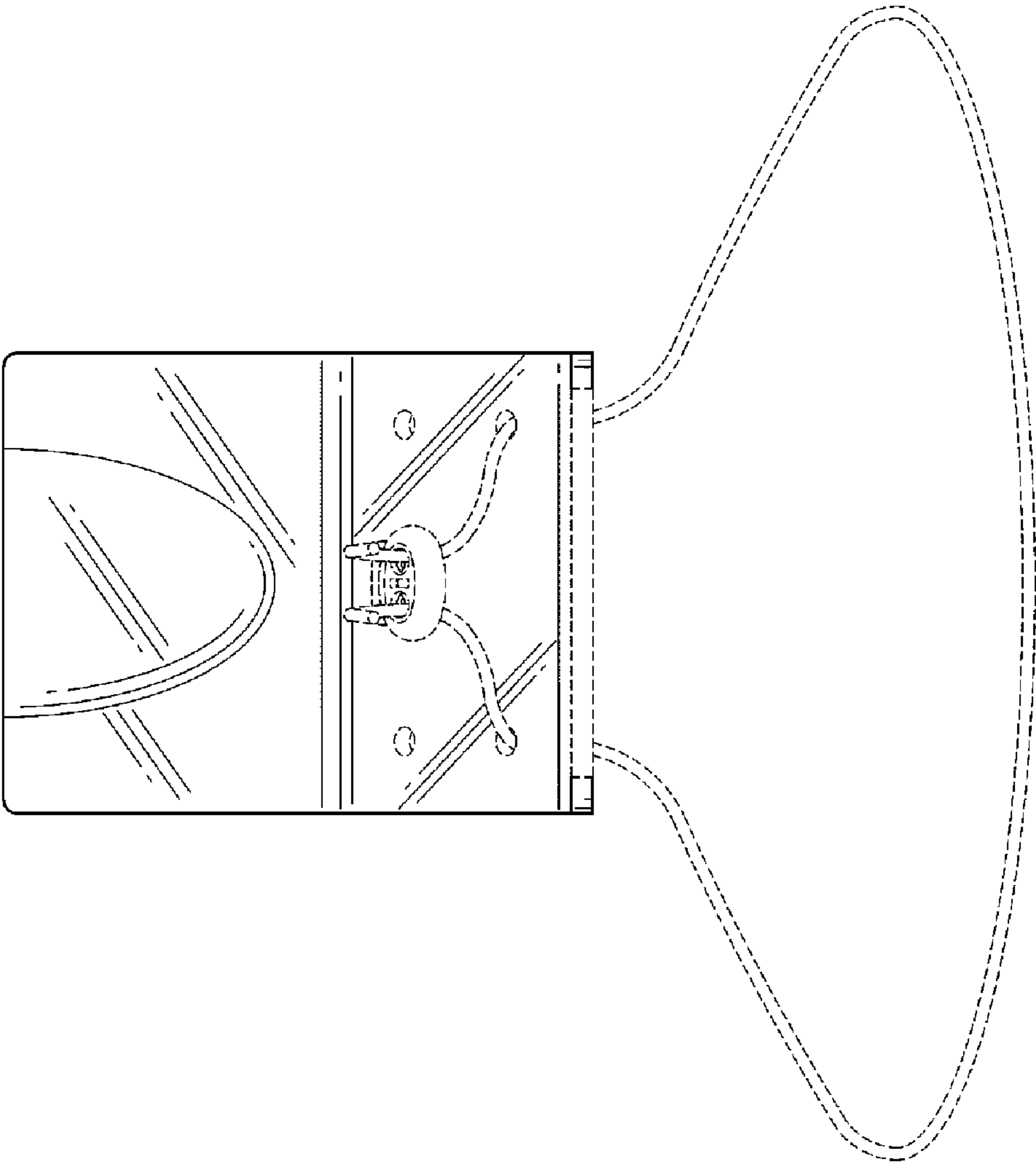


FIG. 7

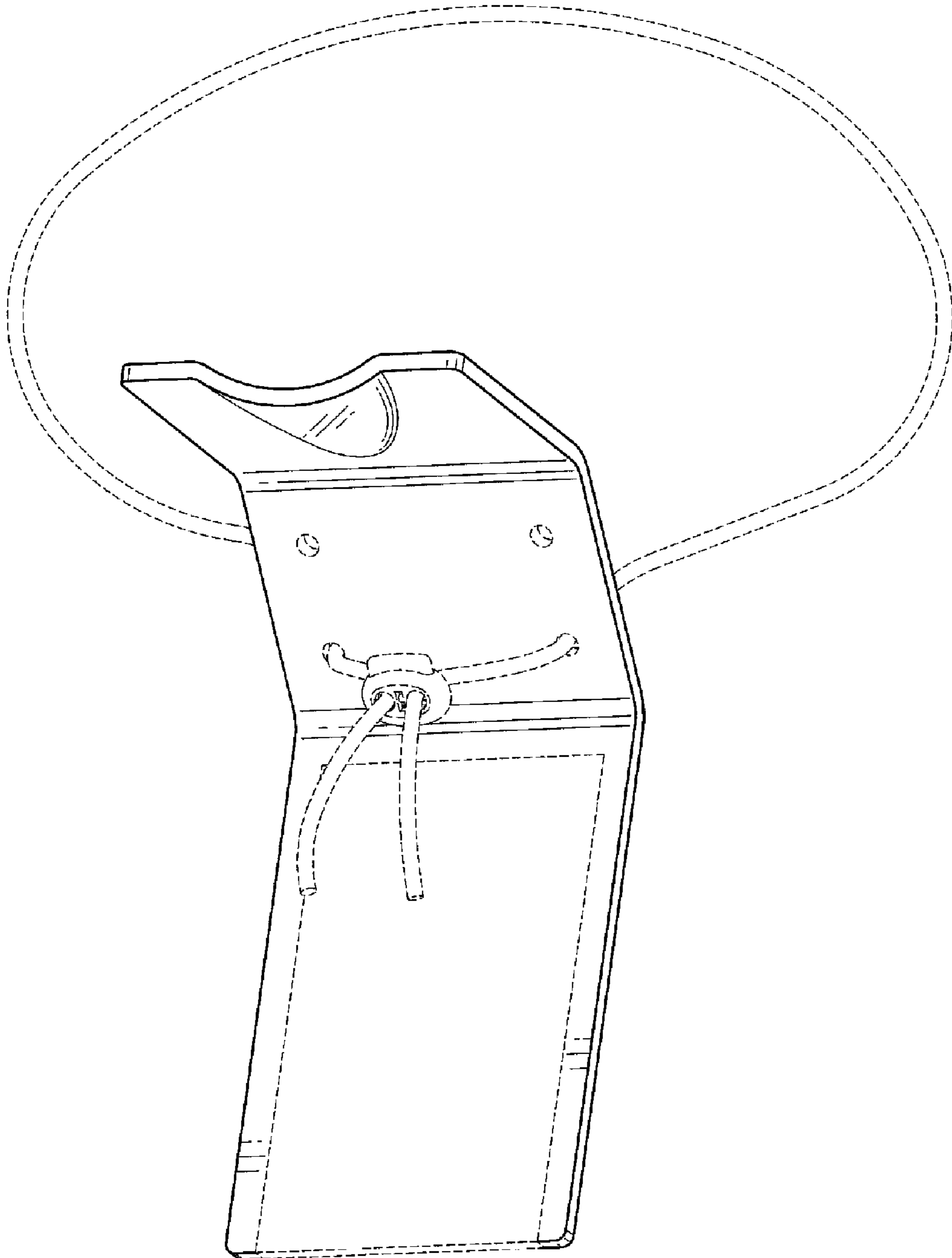


FIG. 8

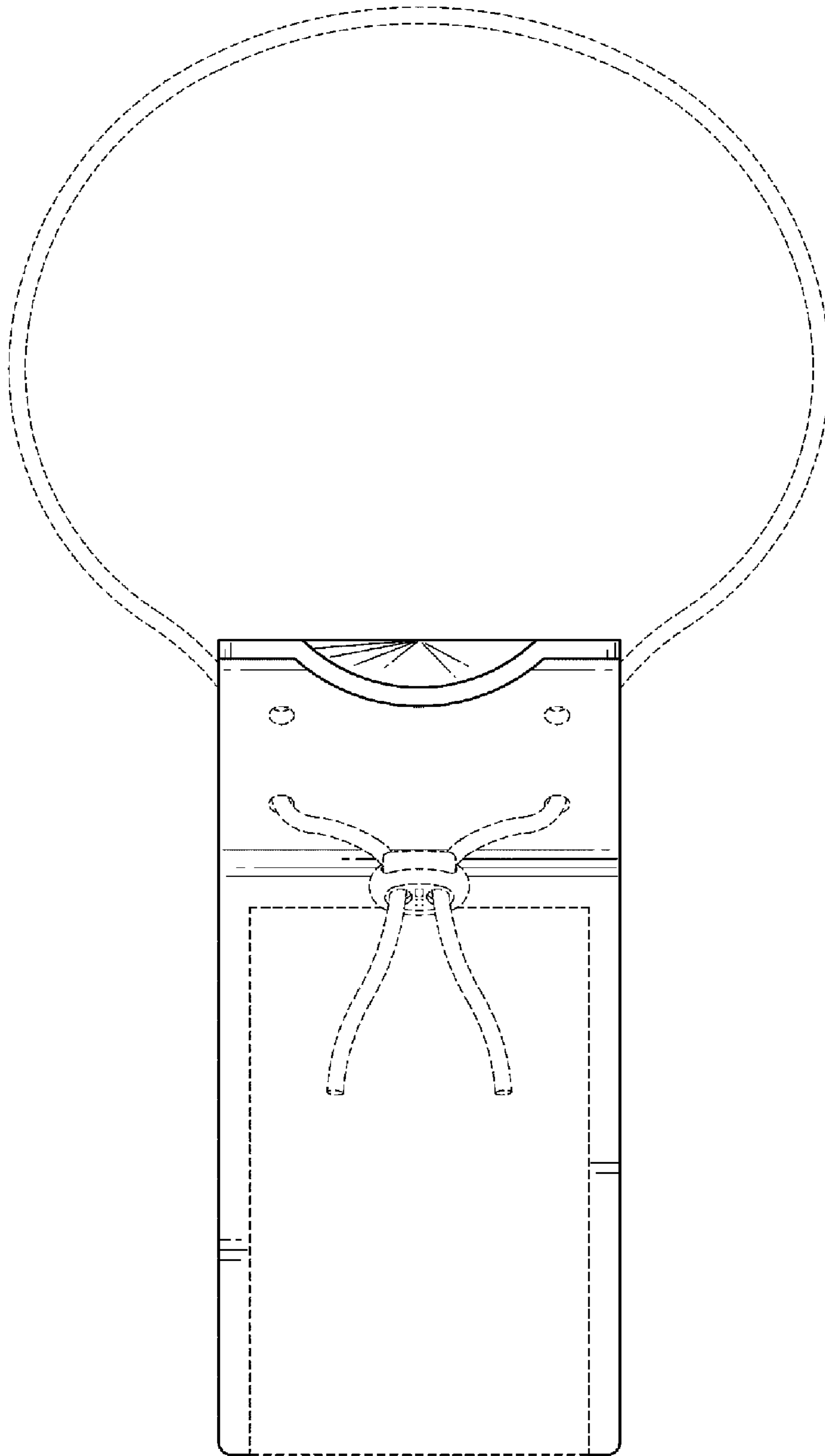


FIG. 9

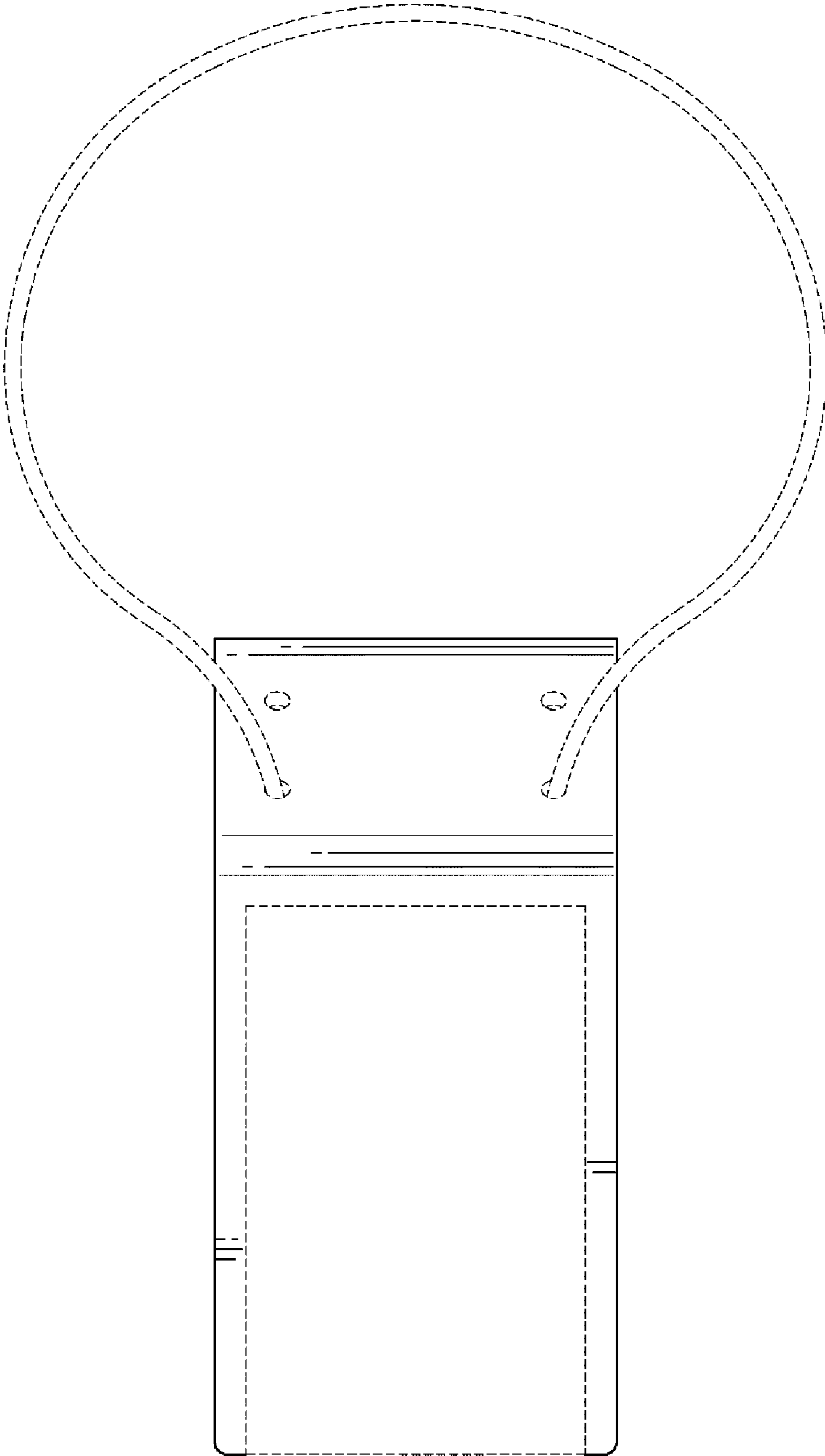


FIG. 10

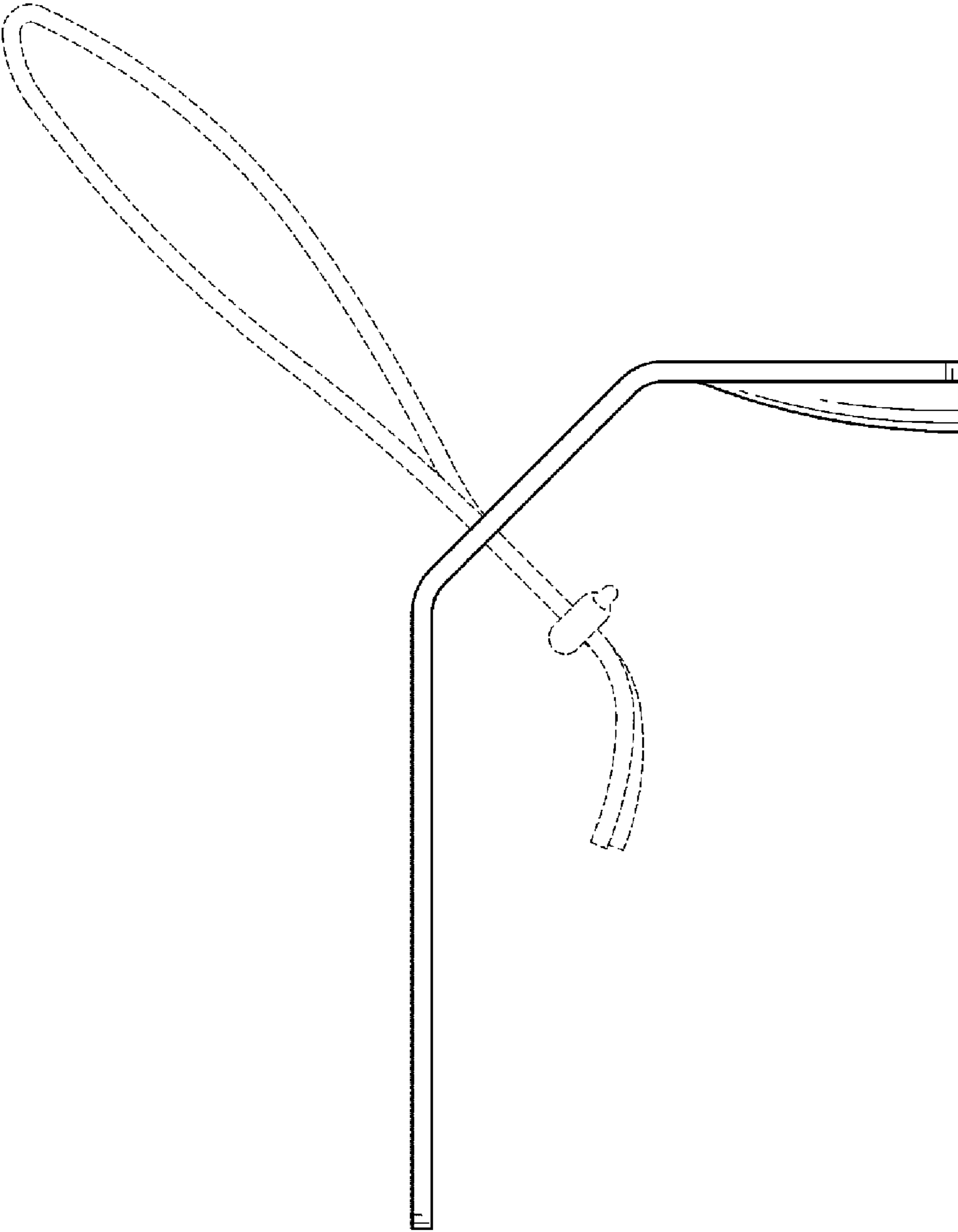


FIG. 11

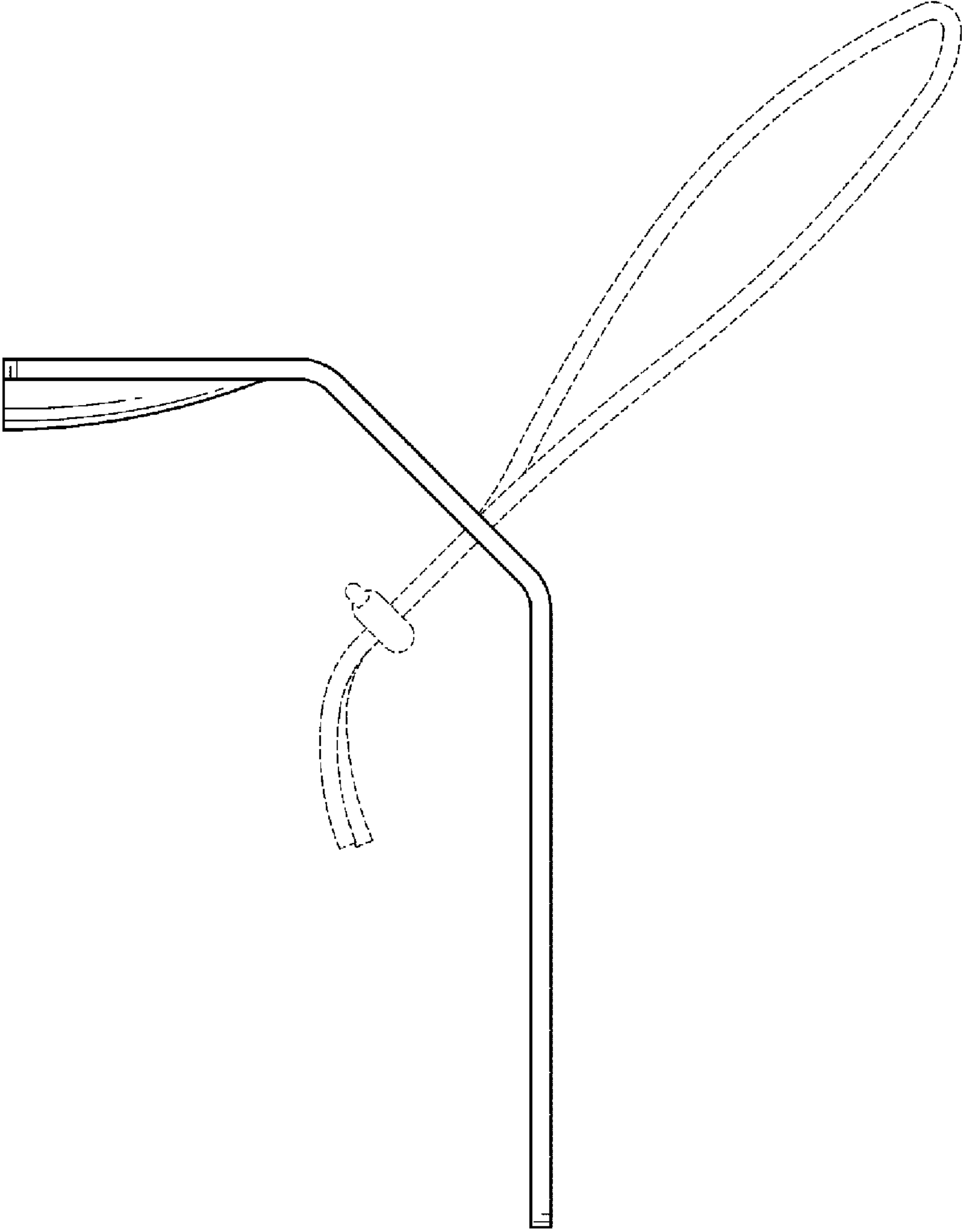


FIG. 12

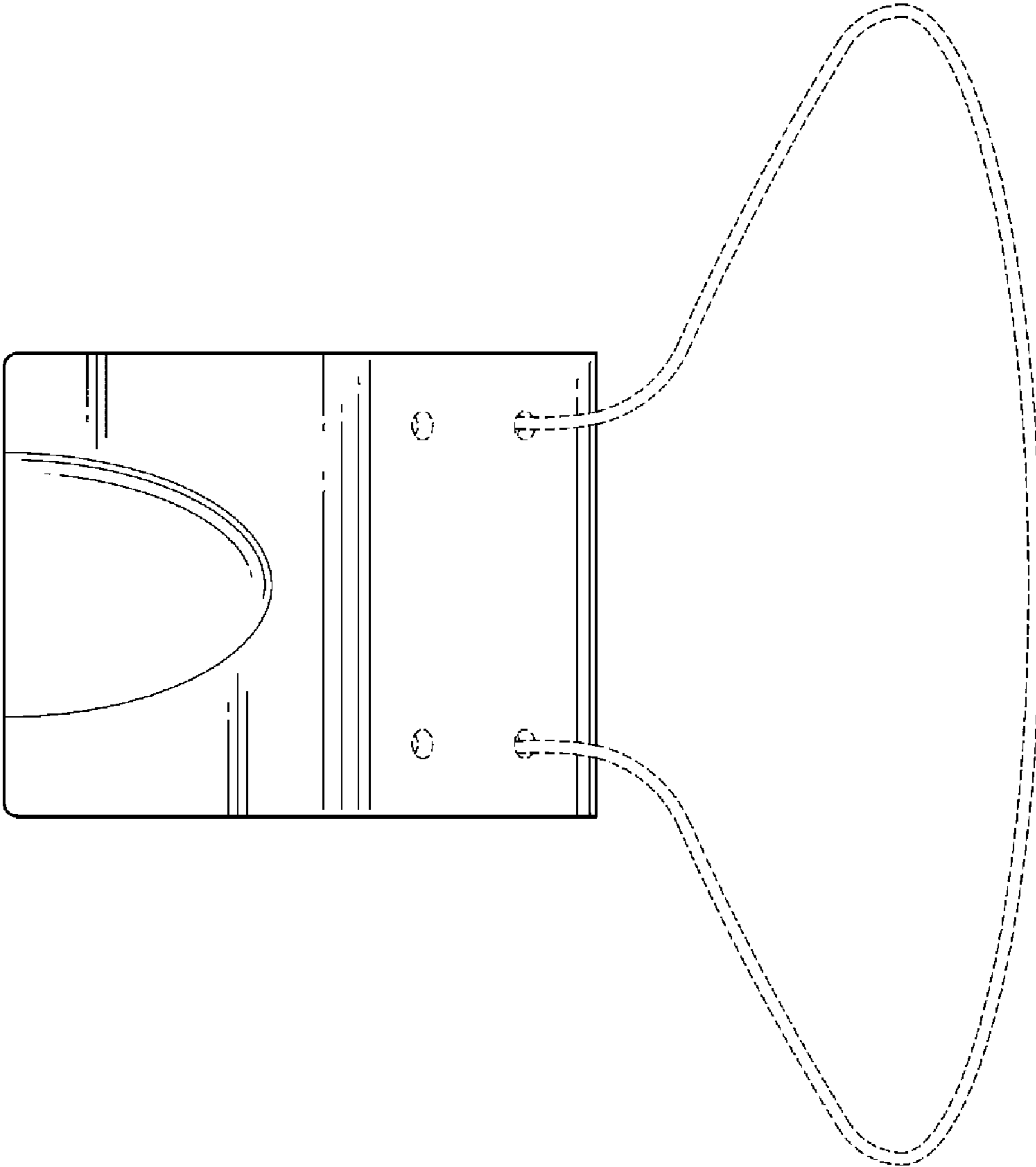


FIG. 13

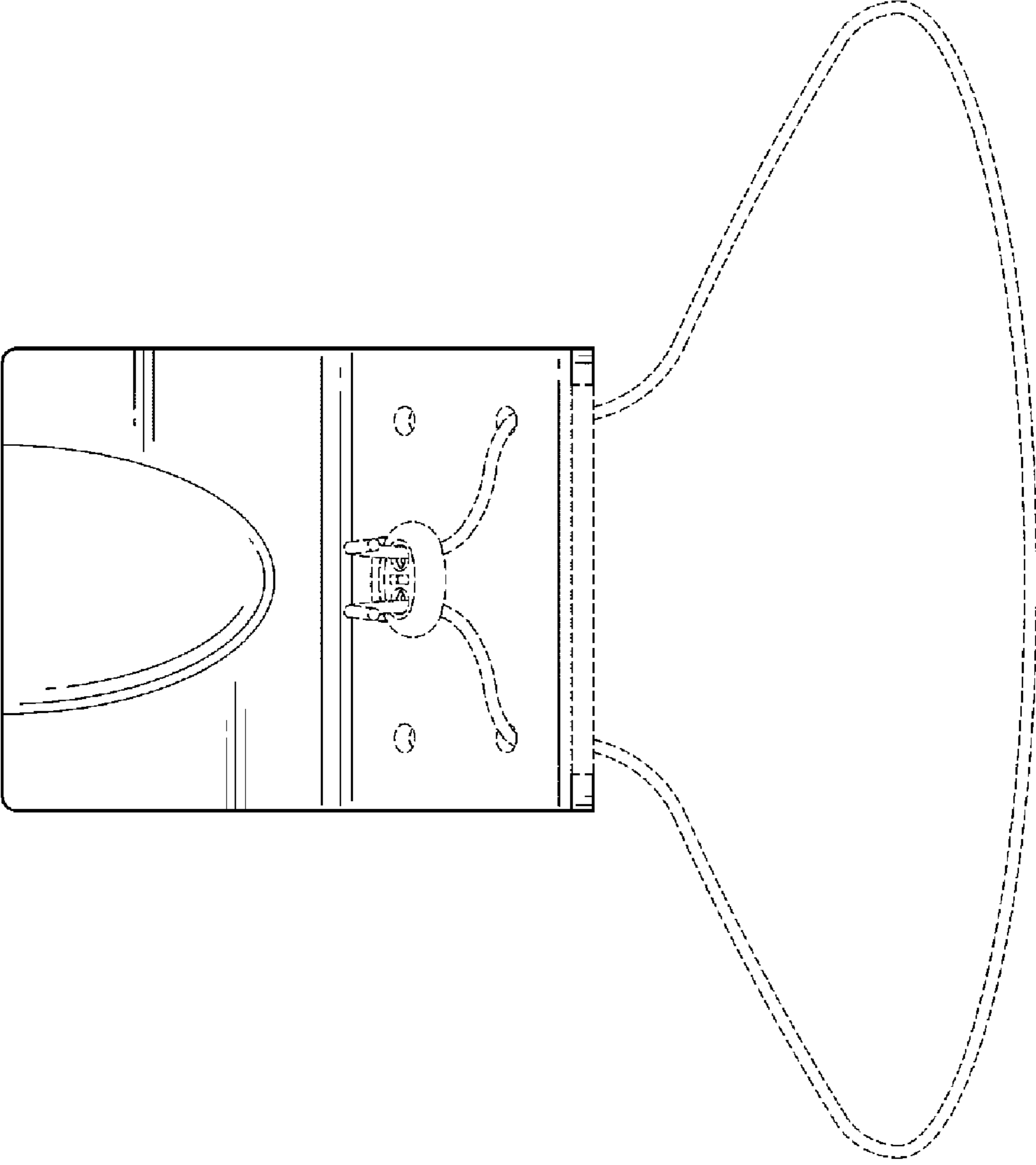


FIG. 14