



US00D645150S

(12) **United States Design Patent**
Roggenkamp

(10) **Patent No.:** **US D645,150 S**

(45) **Date of Patent:** **** Sep. 13, 2011**

(54) **SLEEP AID**

(76) **Inventor:** **Kelly D. Roggenkamp**, Georgetown, IN (US)

(**) **Term:** **14 Years**

(21) **Appl. No.:** **29/383,785**

(22) **Filed:** **Jan. 21, 2011**

(51) **LOC (9) Cl.** **24-01**

(52) **U.S. Cl.** **D24/184**; D8/366

(58) **Field of Classification Search** D24/110, D24/110.1, 127-128, 171, 183-184, 190-191, D24/206, 231; D6/323, 411, 574; D8/37, D8/40, 363, 365-367, 349, 394-395, 380-381, D8/371-373, 353-354, 404, 73; D12/51, D12/126, 223, 162, 187; D21/662, 789; D23/441; 248/15, 208, 210, 220.22, 243, 248/265, 267; D34/35; D25/119, 126, 131-132, D25/68; 52/426, 506.06, 506.07, 686-687, 52/284; D9/434, 447; D14/432, 238; D26/138; D29/113

See application file for complete search history.

(56) **References Cited**

U.S. PATENT DOCUMENTS

2,284,058	A	5/1942	Kaiser et al.	
2,433,772	A *	12/1947	Lyons	52/284
2,528,370	A	10/1950	Johnston	
D265,287	S *	7/1982	Ziaylek, Jr.	D8/373
D274,803	S *	7/1984	Hughes	D12/126
D288,171	S *	2/1987	Dey	D8/73
4,700,697	A	10/1987	Mundell et al.	
4,782,824	A	11/1988	Davies	
D321,124	S *	10/1991	Gary	D8/373
D321,125	S *	10/1991	Gary	D8/373
D322,211	S *	12/1991	Gary	D8/373
D407,821	S *	4/1999	Steele	D24/190
D410,089	S *	5/1999	Schiavoni	D24/191
6,231,535	B1	5/2001	Mainiero et al.	
D483,249	S *	12/2003	Klein et al.	D8/373
D483,250	S *	12/2003	Klein et al.	D8/373
D487,122	S *	2/2004	Farris, Jr.	D21/662
6,725,511	B1	4/2004	Rodseth	

D494,047	S *	8/2004	Klein et al.	D8/371
D494,051	S *	8/2004	Klein et al.	D8/373
D494,454	S *	8/2004	Klein et al.	D8/373
6,786,554	B1	9/2004	Zahiri	
D529,792	S *	10/2006	Klein et al.	D8/373
D544,766	S *	6/2007	Hayes et al.	D8/37
D550,849	S *	9/2007	Baker	D24/191
D556,014	S *	11/2007	Wurdack	D8/349
D573,448	S *	7/2008	Young, IV	D8/356
D592,760	S *	5/2009	Diener et al.	D24/231
D596,015	S *	7/2009	Scarcello	D8/366

(Continued)

Primary Examiner — T. Chase Nelson

Assistant Examiner — Mark Cavanna

(74) *Attorney, Agent, or Firm* — Robert H. Eichenberger; Scott W. Higdon; Middleton Reutlinger

(57) **CLAIM**

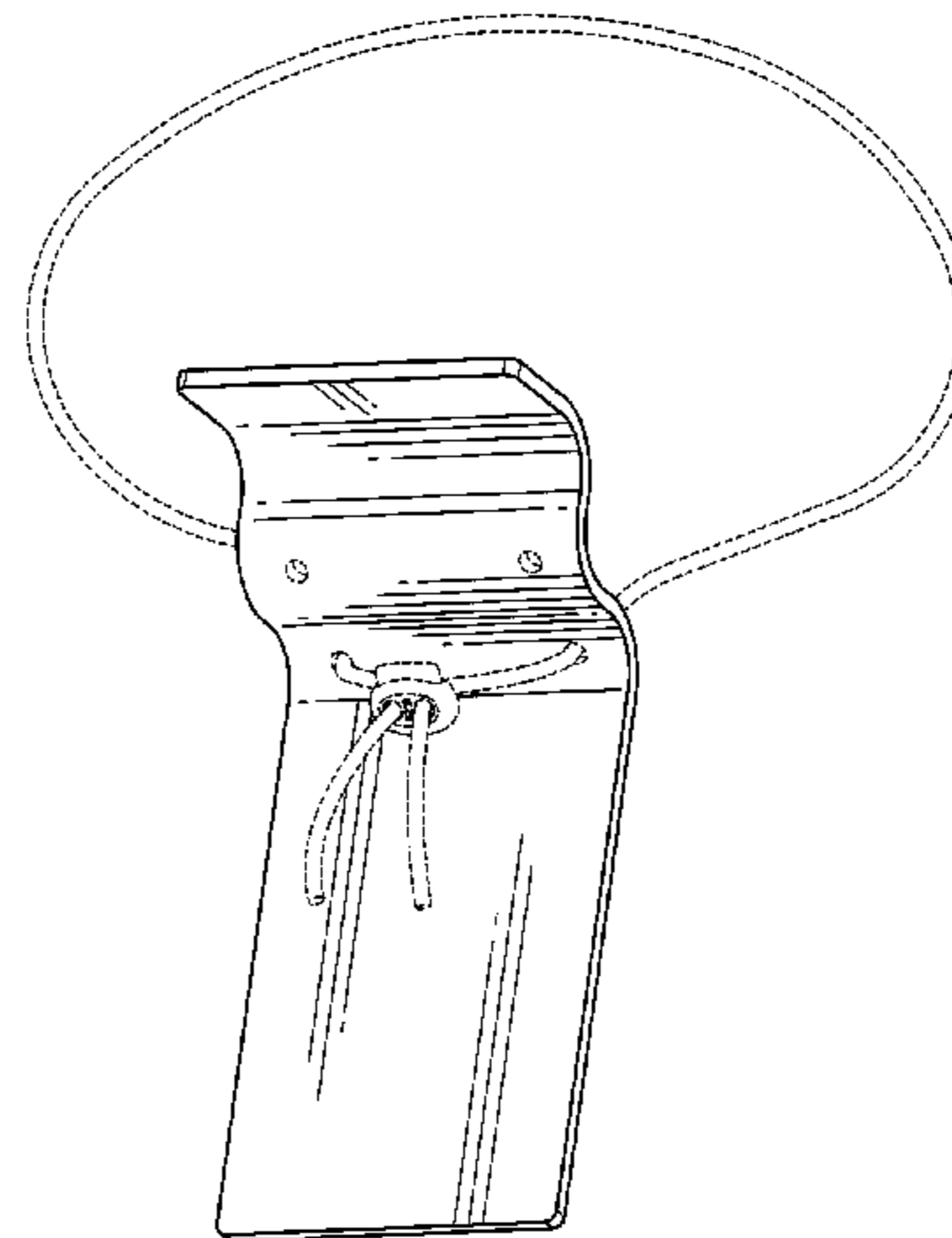
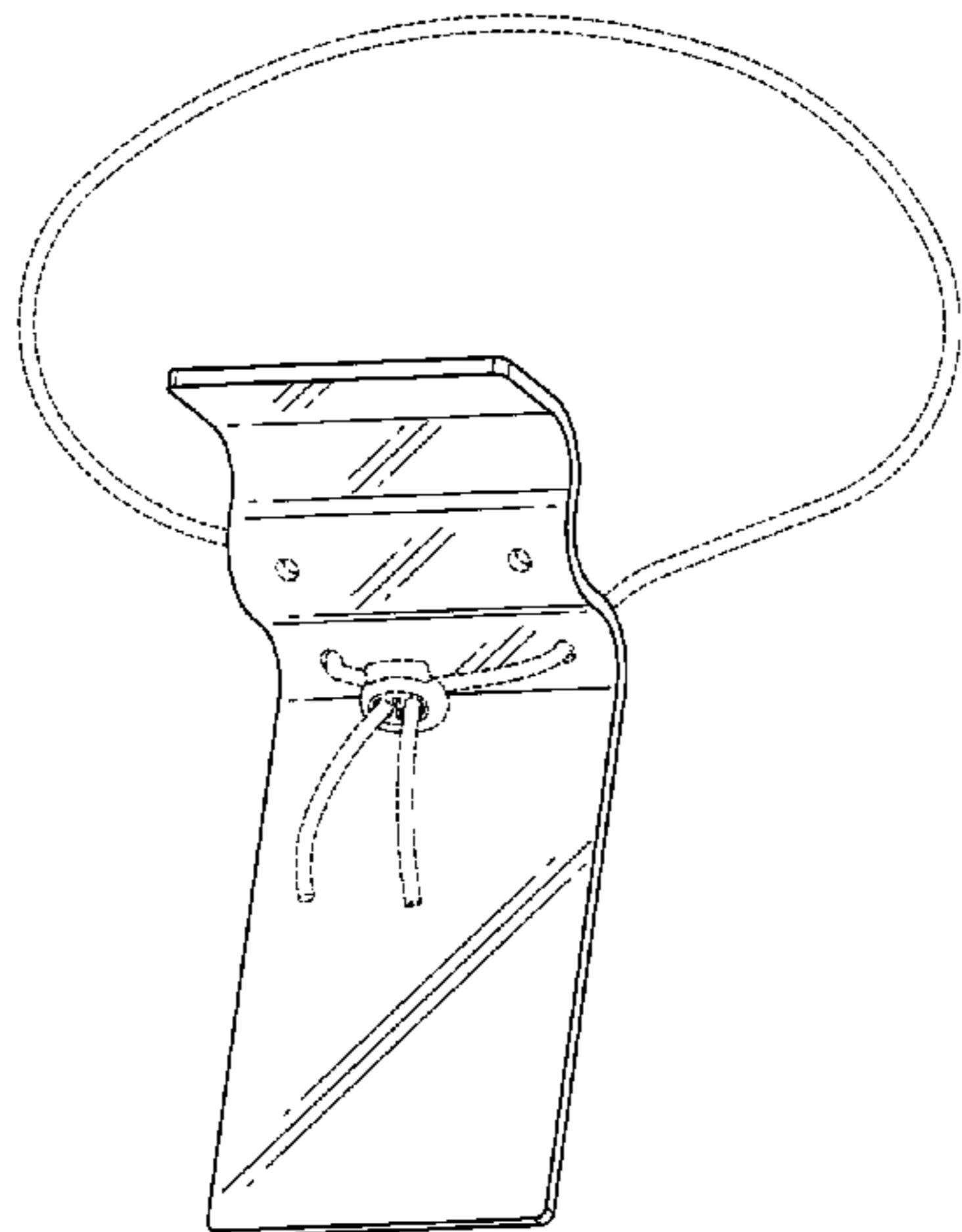
The ornamental design for a sleep aid, as shown and described.

DESCRIPTION

FIG. 1 is a front left side perspective view of a first embodiment of a sleep aid showing my design; FIG. 2 is a front elevational view thereof; FIG. 3 is a rear elevational view thereof; FIG. 4 is a right side elevational view thereof; FIG. 5 is a left side elevational view thereof; FIG. 6 is a top plan view thereof; FIG. 7 is a bottom plan view thereof; FIG. 8 is a front left side perspective view of a second embodiment of the sleep aid of my design; FIG. 9 is a front elevational view thereof; FIG. 10 is a rear elevational view thereof; FIG. 11 is a right side elevational view thereof; FIG. 12 is a left side elevational view thereof; FIG. 13 is a top plan view thereof; and, FIG. 14 is a bottom plan view thereof.

The broken lines showing environmental structure are for illustrative purposes only and form no part of the claimed design.

1 Claim, 14 Drawing Sheets



US D645,150 S

Page 2

U.S. PATENT DOCUMENTS

D613,151 S *	4/2010	Goodman et al.	D8/367	2006/0266369 A1	11/2006	Atkinson et al.
D615,187 S *	5/2010	Bowden	D24/110	2008/0041374 A1	2/2008	Reddick
D629,673 S *	12/2010	Shaha et al.	D8/367	2008/0223377 A1	9/2008	Kussick
D636,928 S *	4/2011	Lin	D26/138	2009/0264802 A1	10/2009	Chen

* cited by examiner

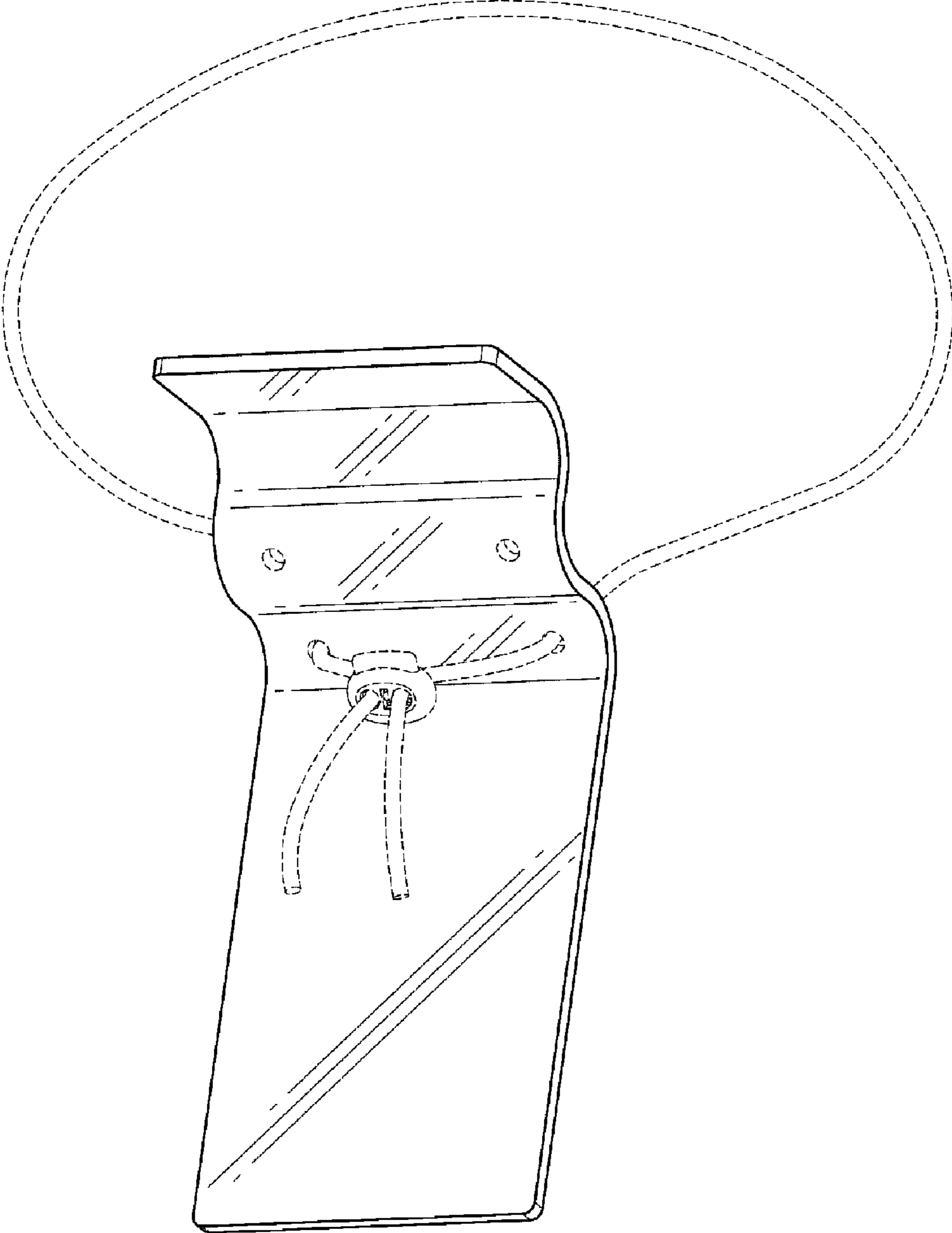


FIG. 1

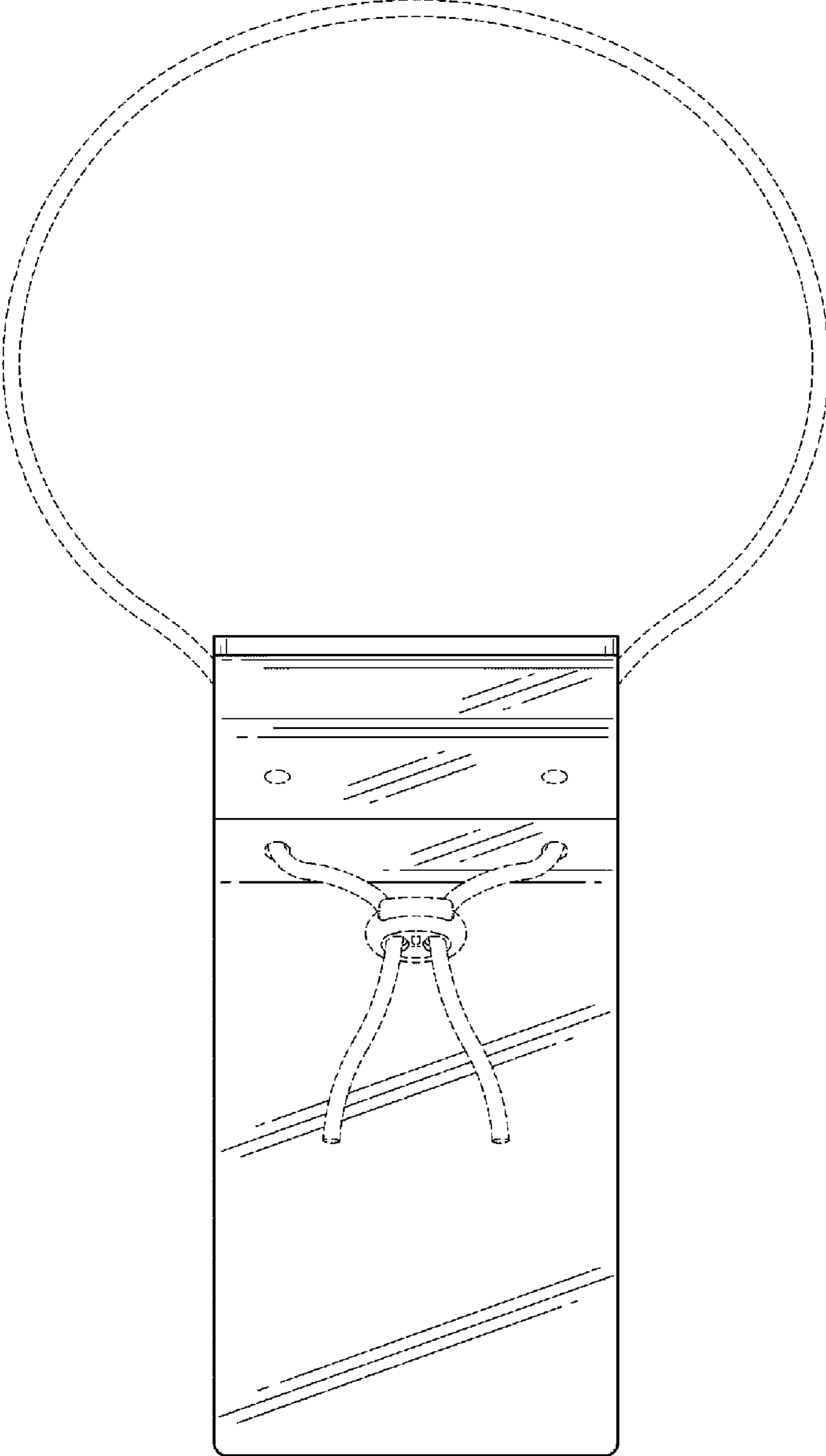


FIG. 2

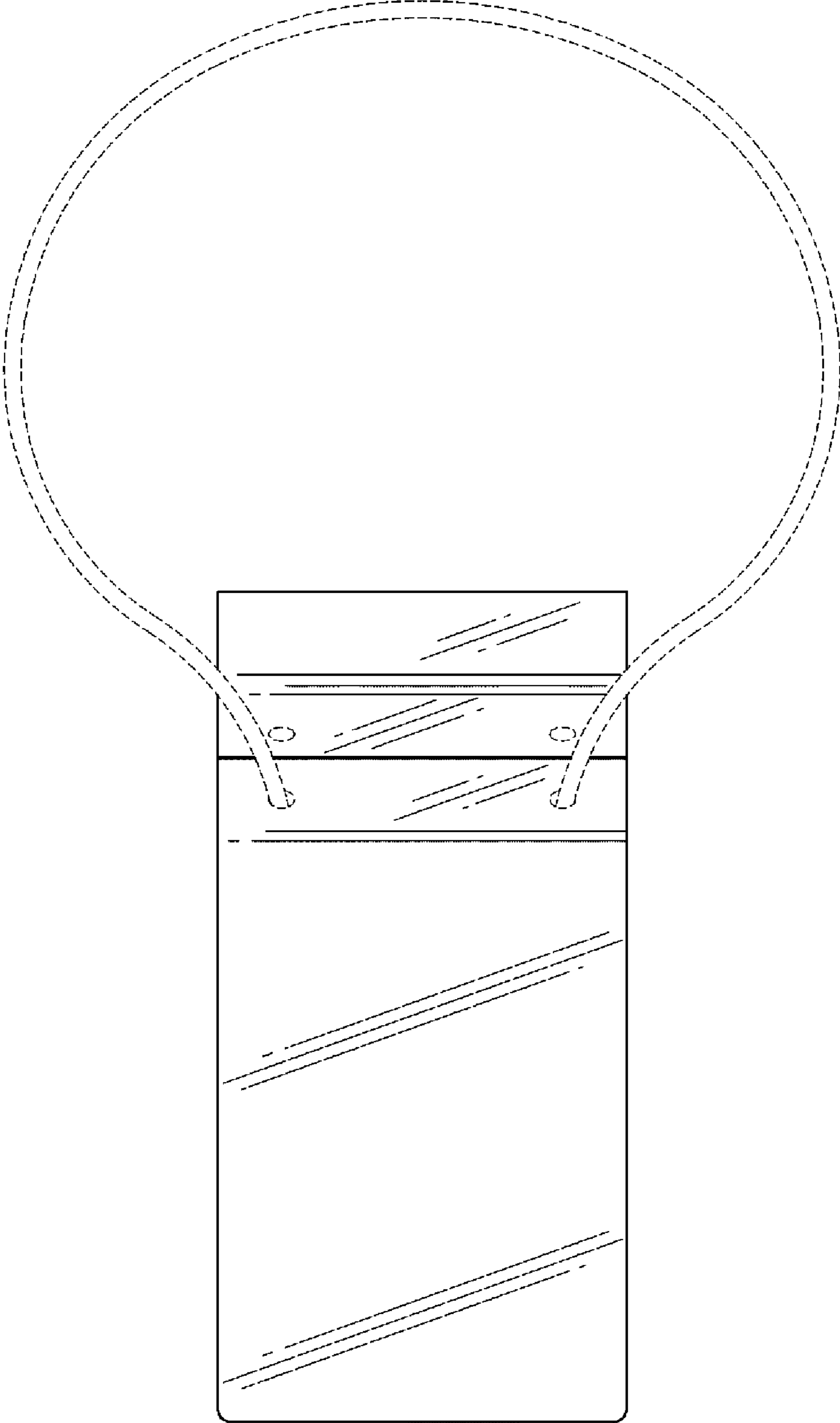


FIG. 3

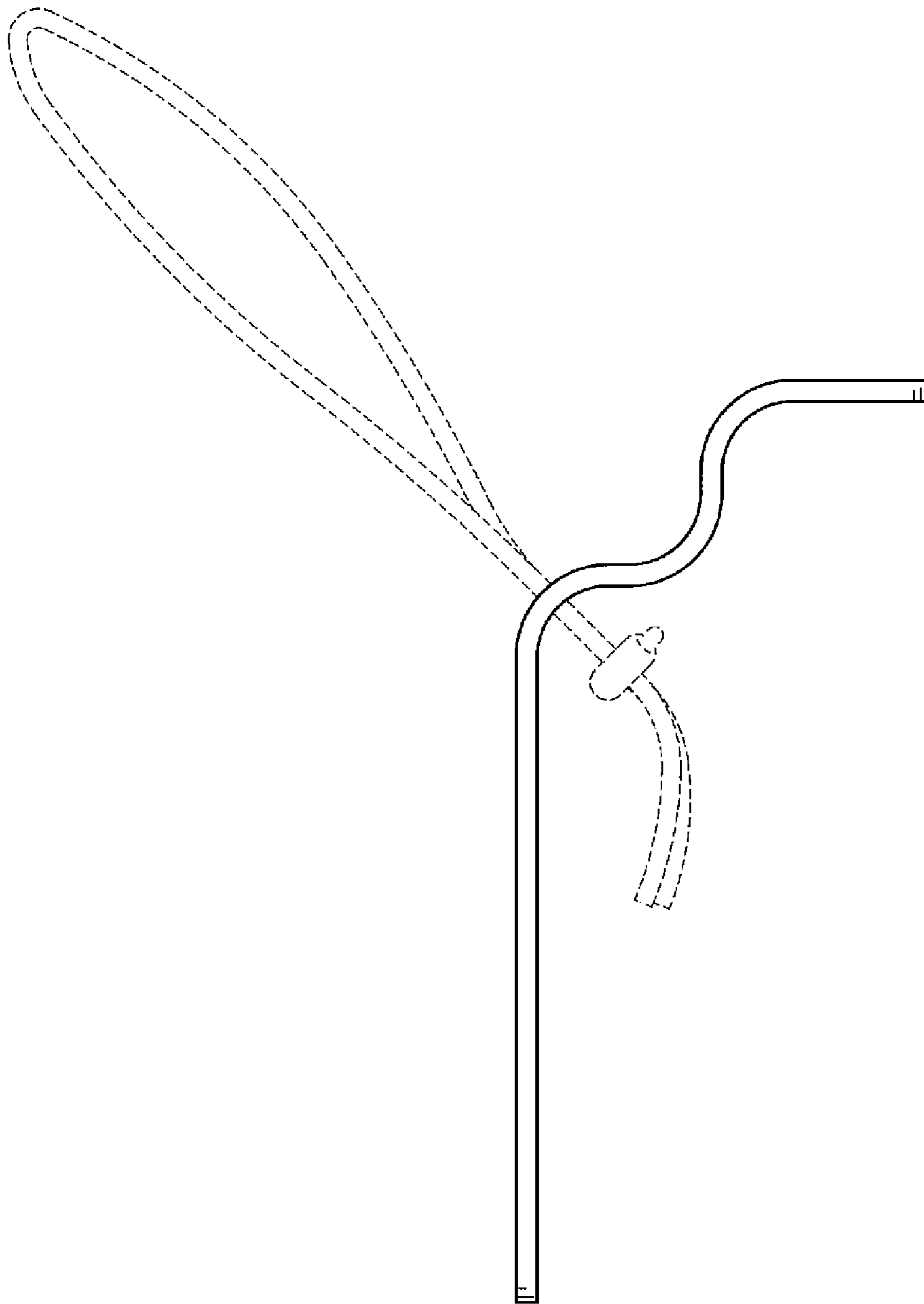


FIG. 4

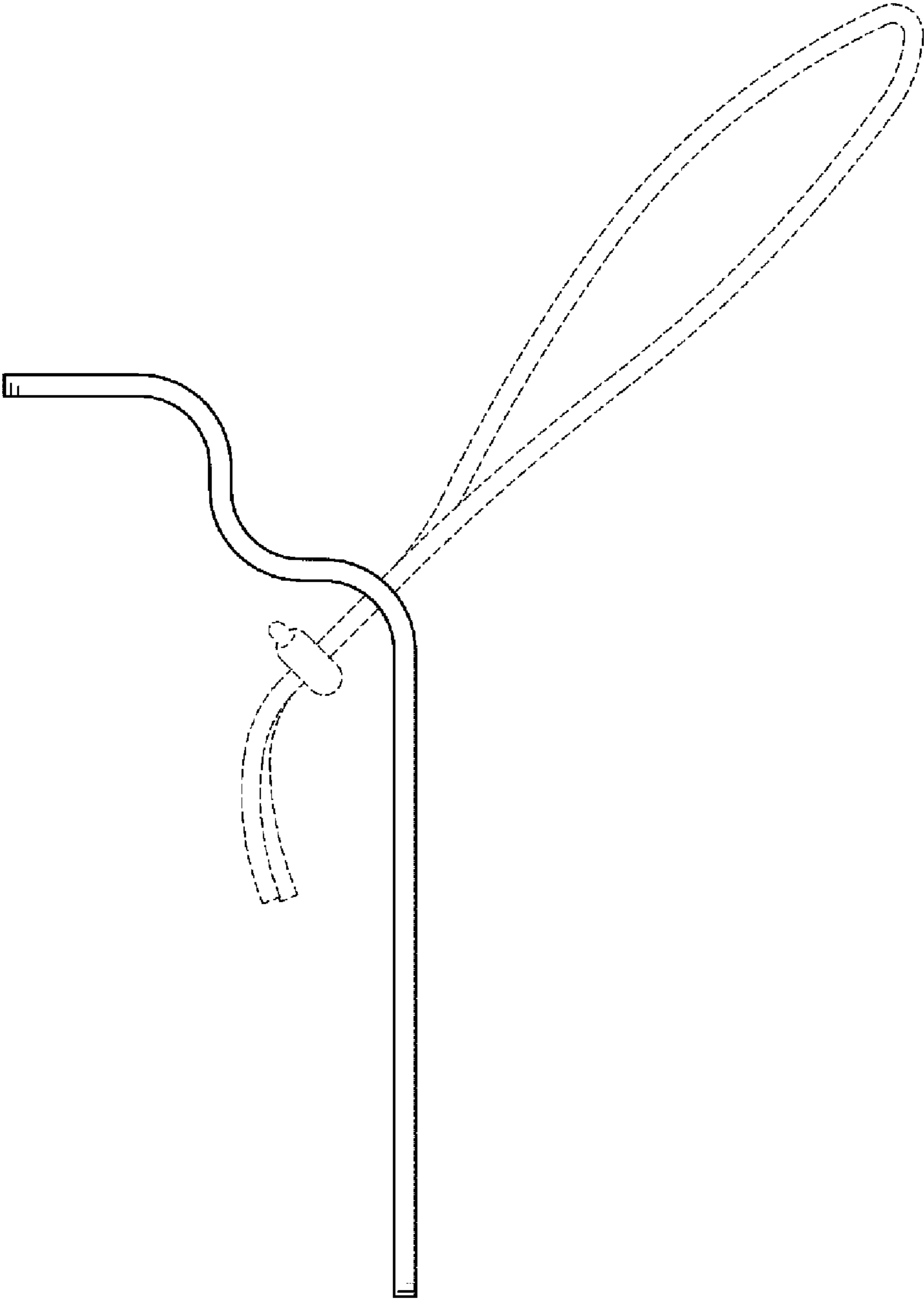


FIG. 5

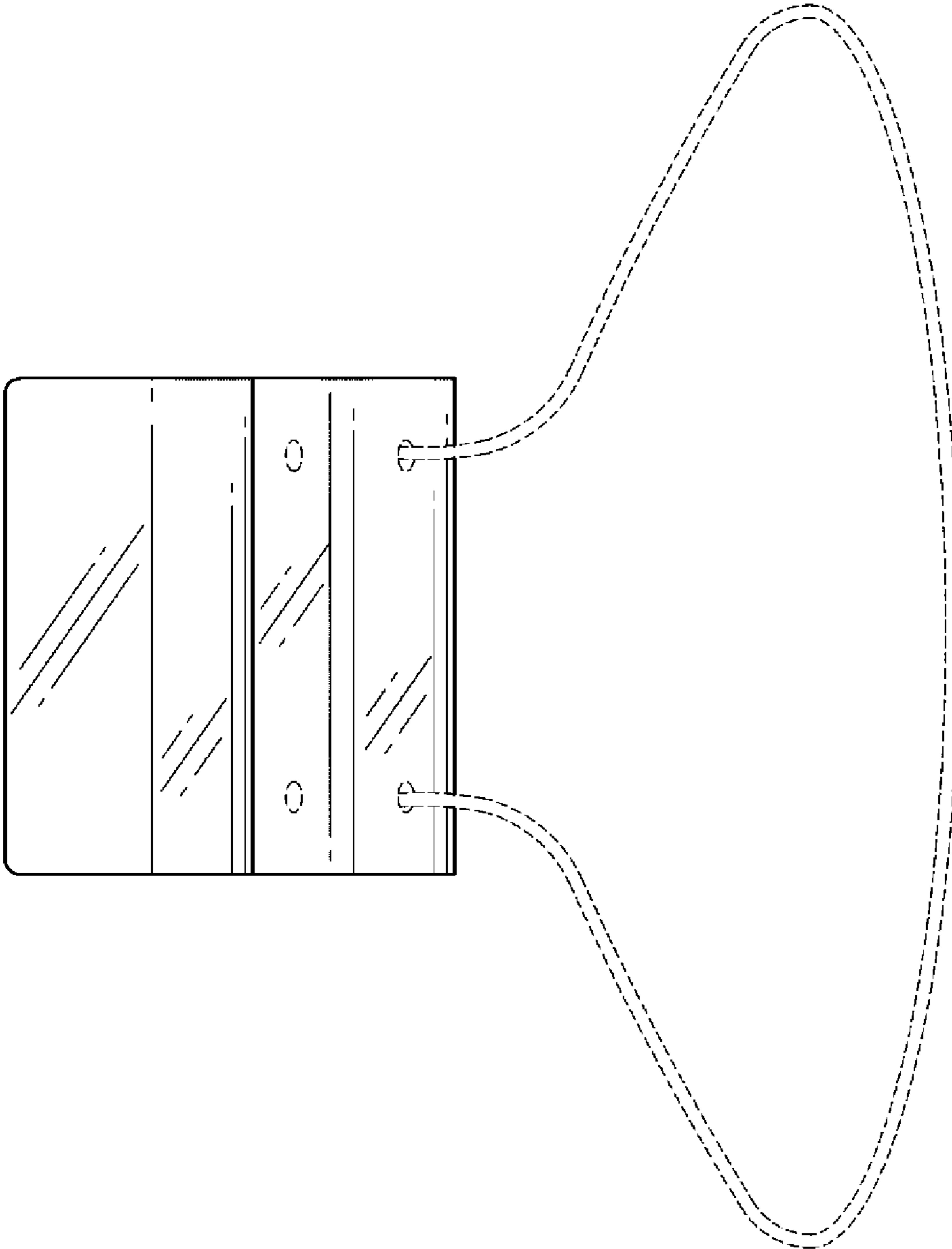


FIG. 6

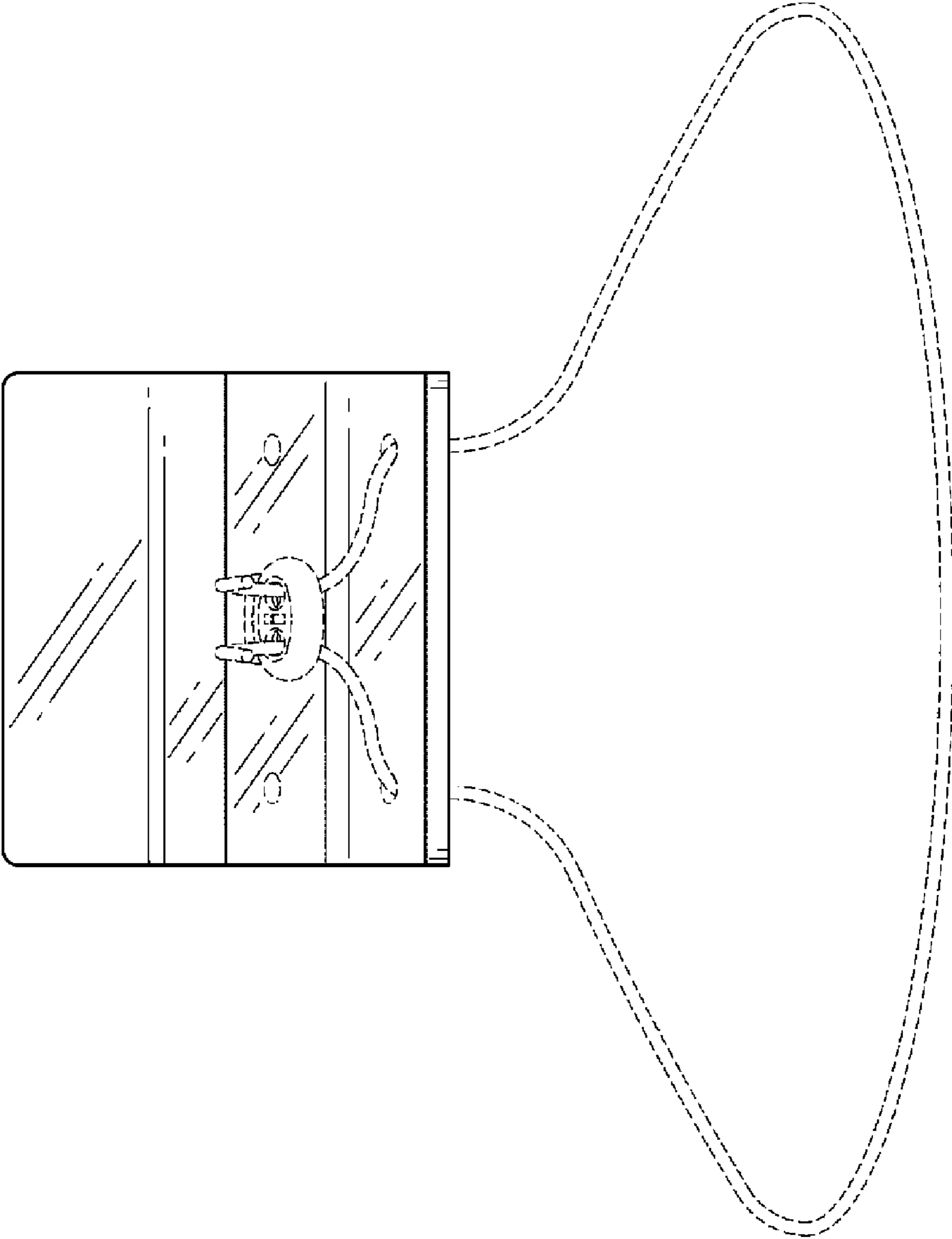


FIG. 7

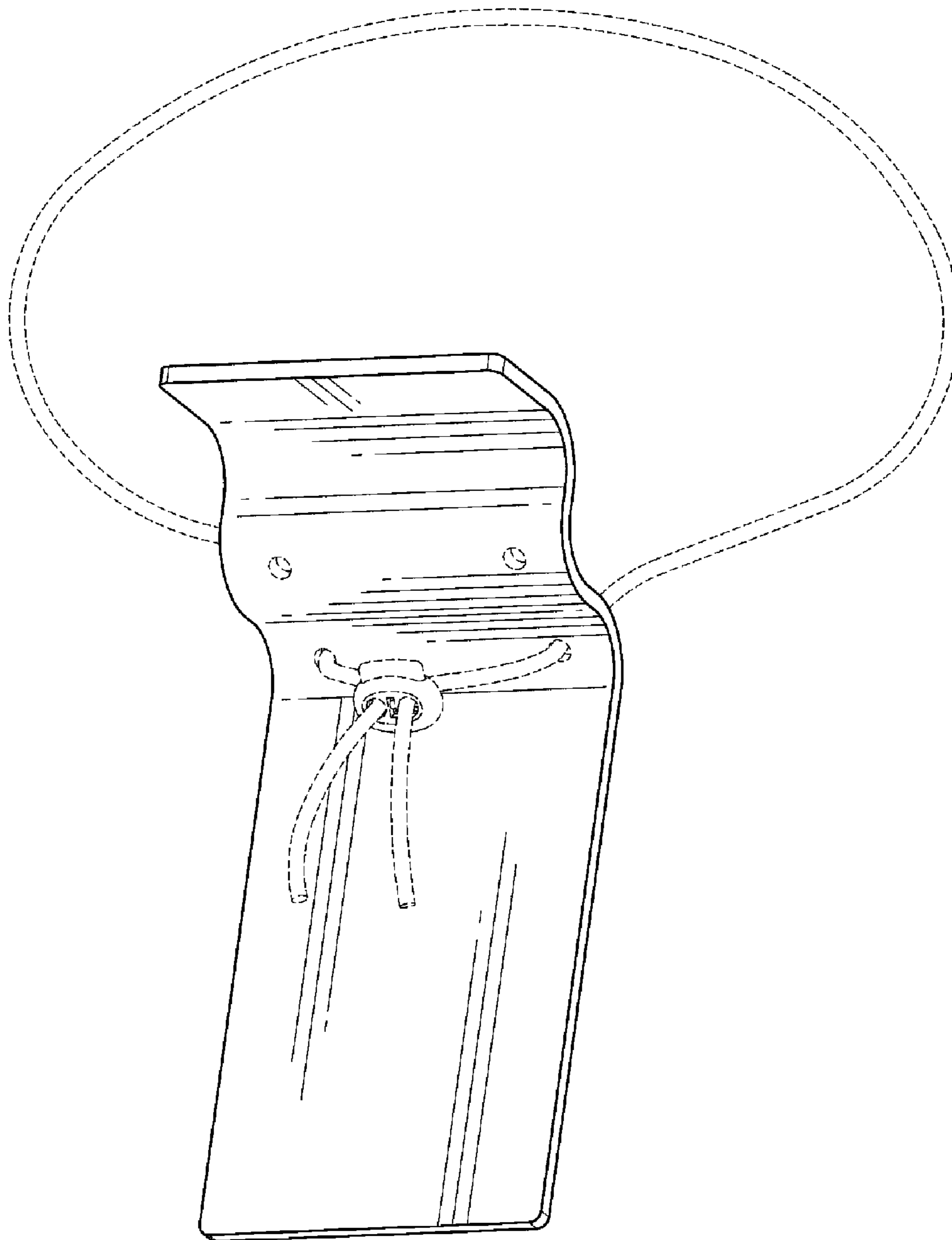


FIG. 8

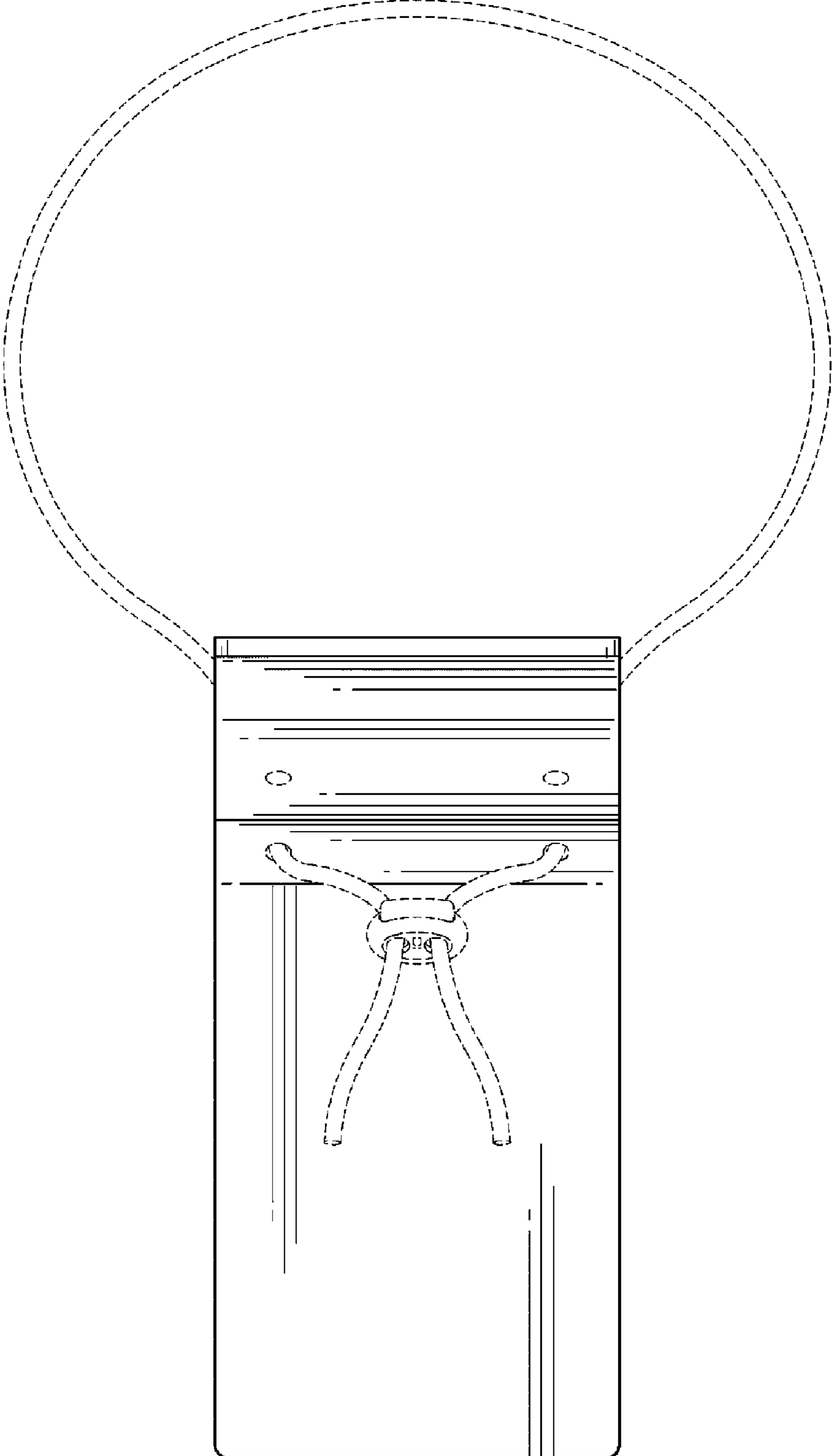


FIG. 9

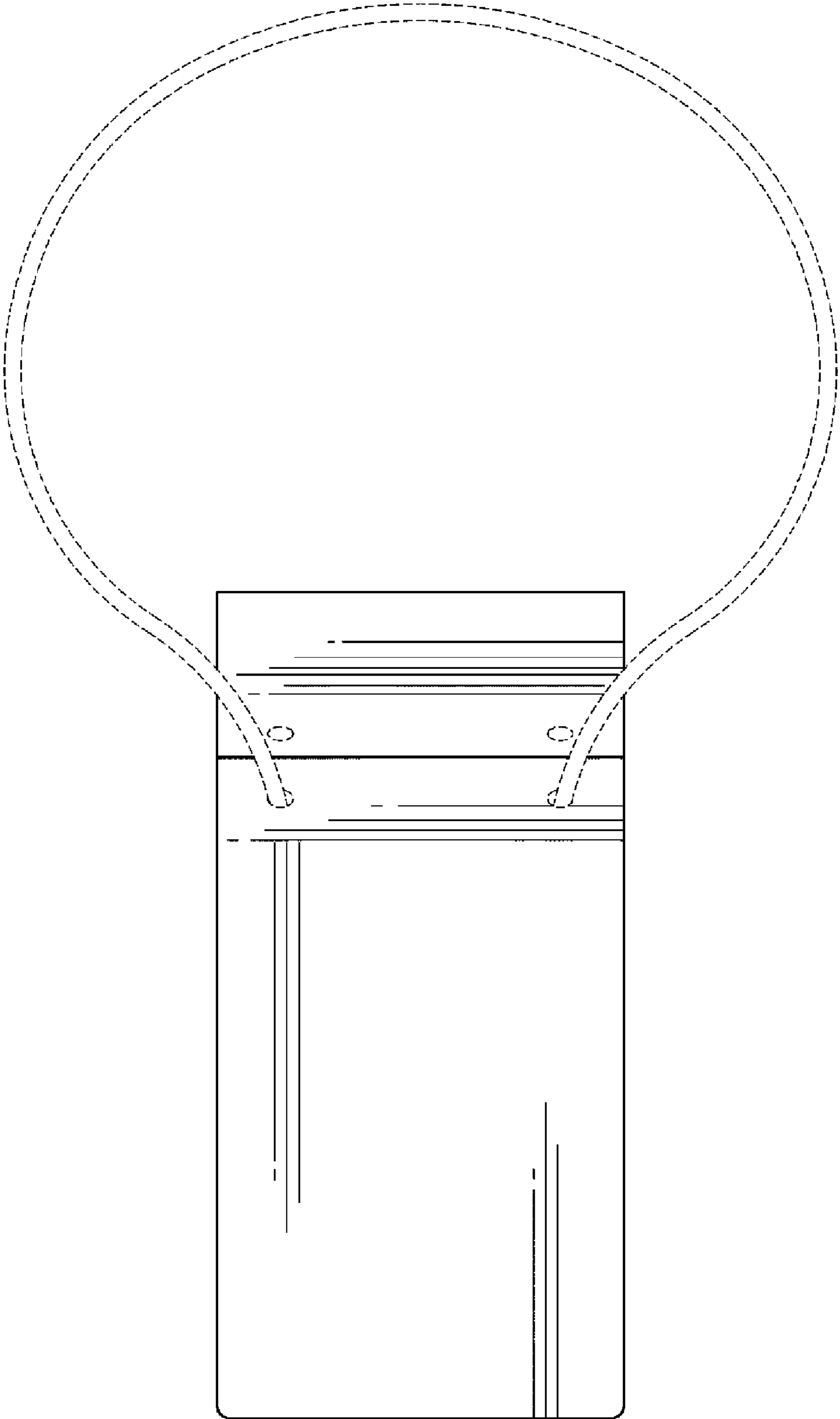


FIG. 10

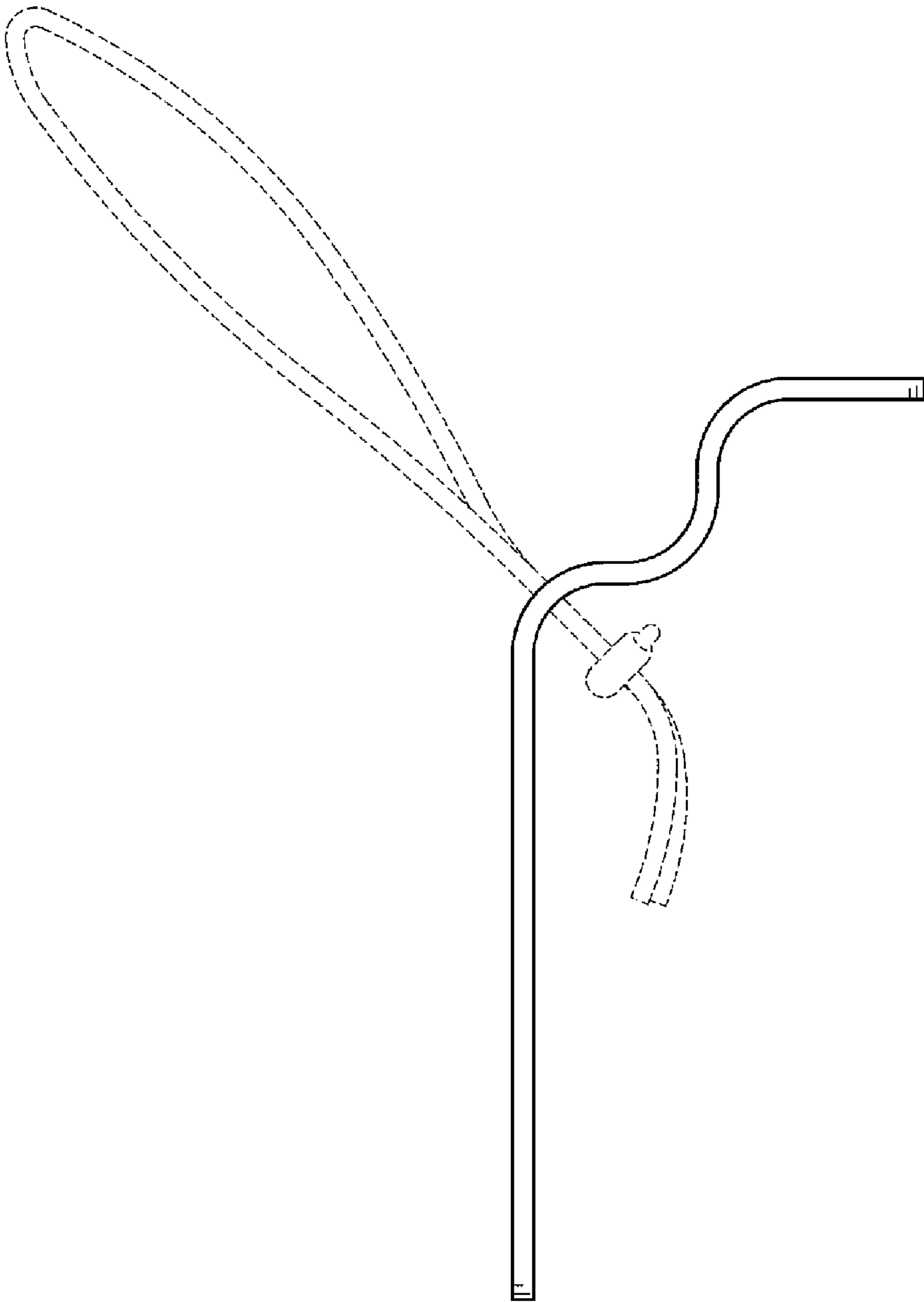


FIG. 11

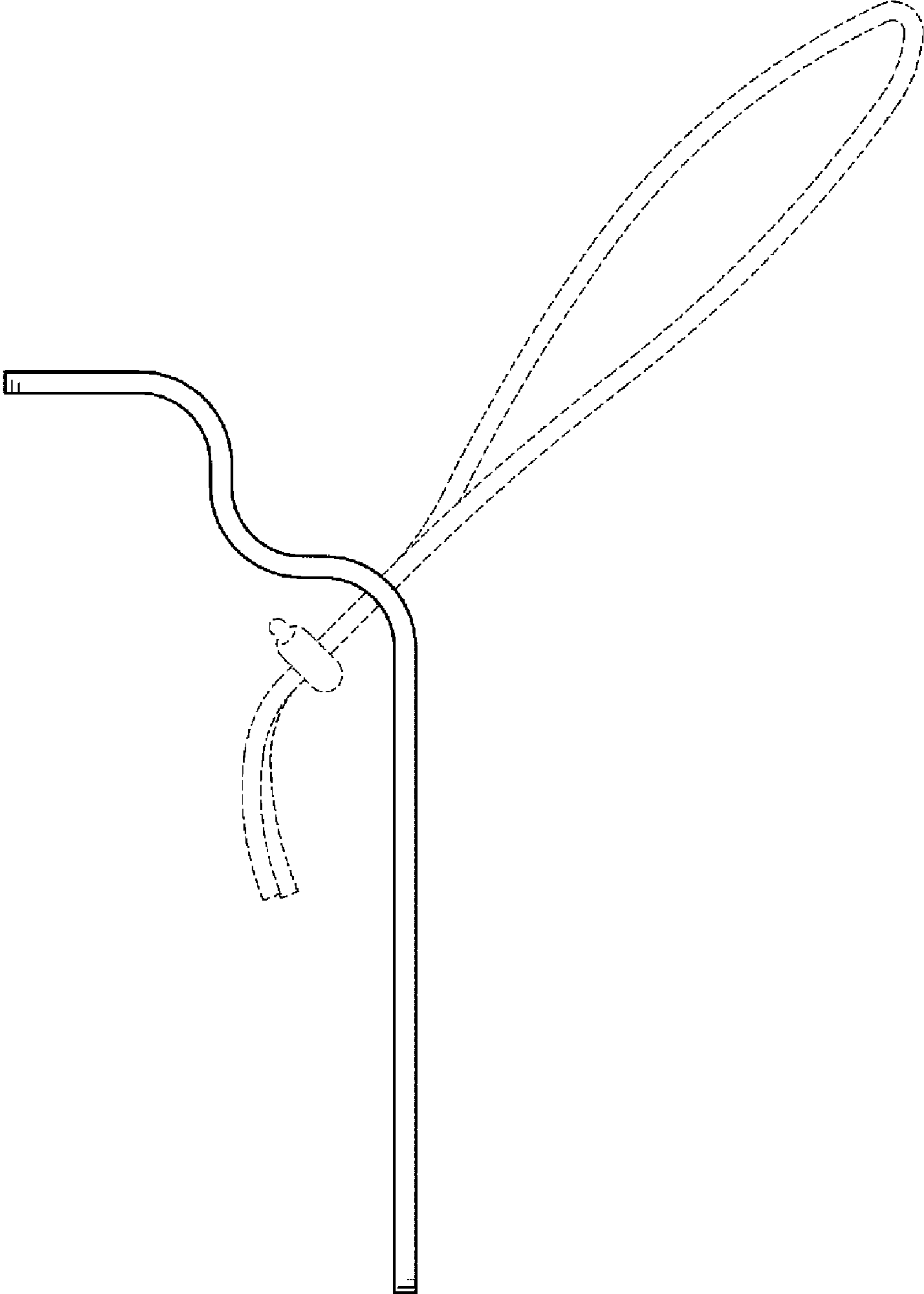


FIG. 12

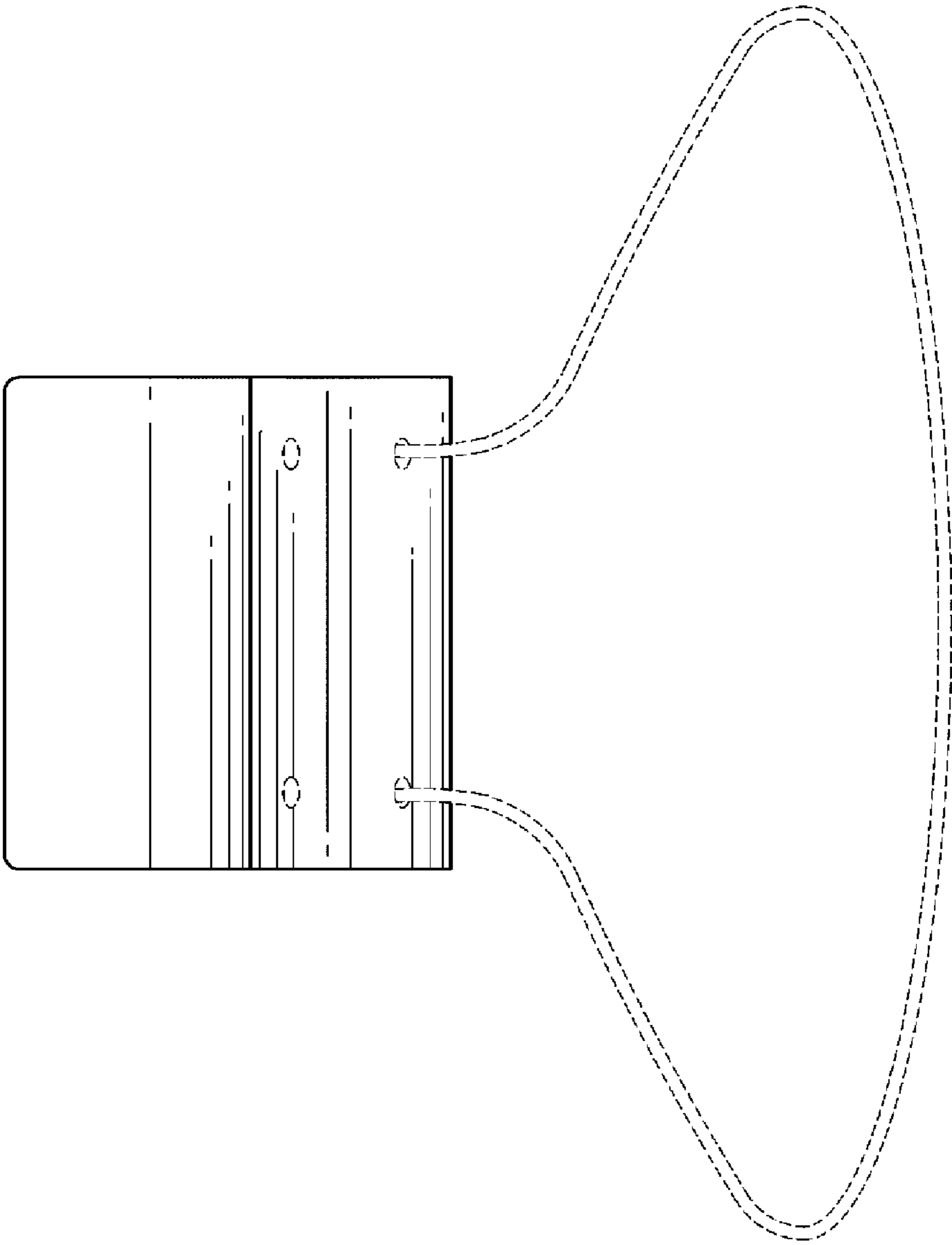


FIG. 13

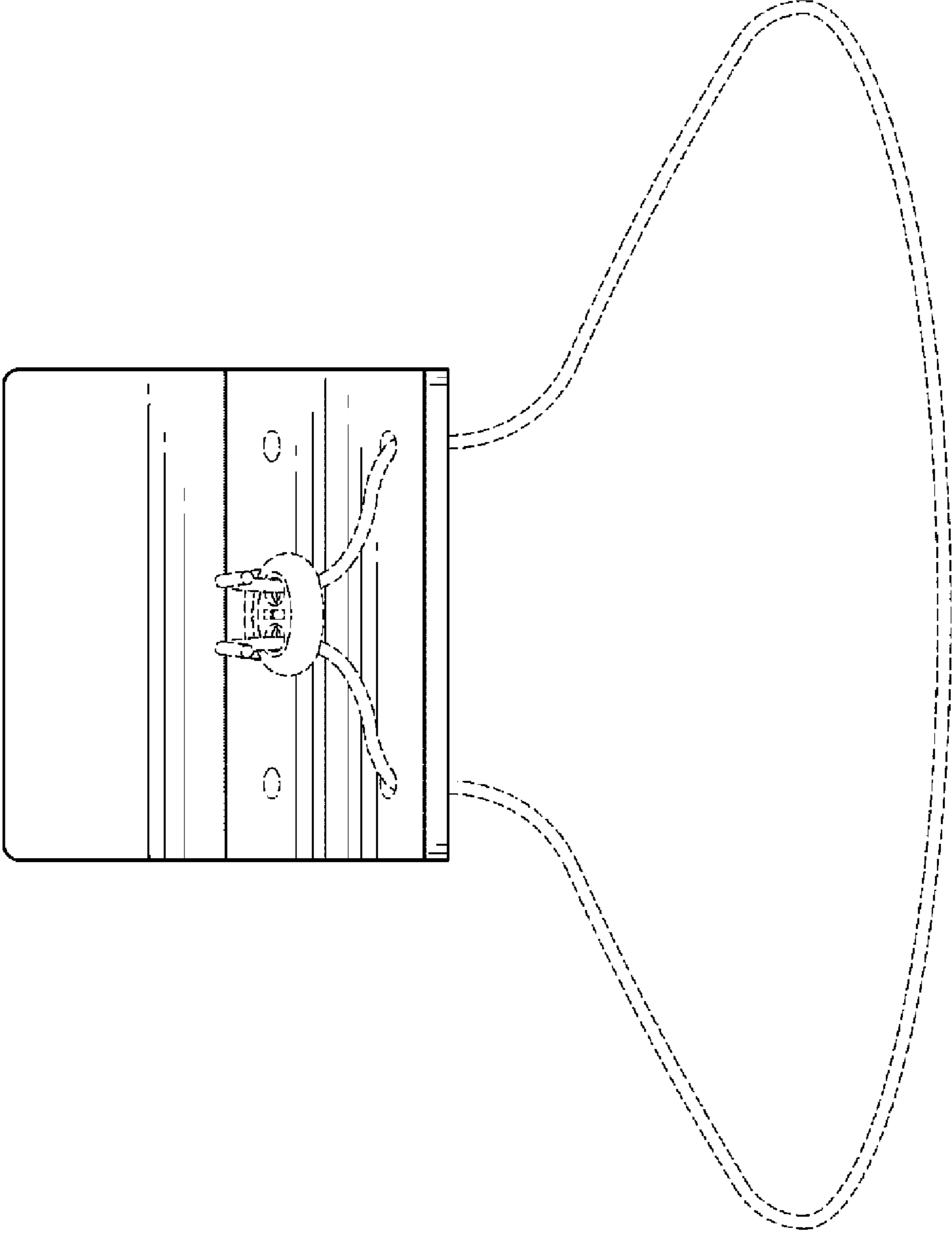


FIG. 14