



(12) **United States Design Patent**
Roggenkamp

(10) **Patent No.:** **US D645,149 S**
(45) **Date of Patent:** **** Sep. 13, 2011**

(54) **SLEEP AID**
(76) Inventor: **Kelly D. Roggenkamp**, Georgetown, IN (US)
(**) Term: **14 Years**
(21) Appl. No.: **29/383,783**
(22) Filed: **Jan. 21, 2011**
(51) **LOC (9) Cl.** **24-01**
(52) **U.S. Cl.** **D24/184; D8/366**
(58) **Field of Classification Search** D24/110, D24/110.1, 127-128, 171, 183-184, 190-191, D24/206, 231; D6/323, 411; D8/37, 40, D8/363, 365-367, 349, 394-395, 380-381, D8/371-373, 353-354, 404; D12/51, 126, D12/223; D21/662, 789; D23/441; 248/15, 248/208, 210, 220.22, 243, 265, 267; D34/35; D25/119, 126, 131-132, 68; 52/426, 506.06, 52/506.07, 686-687; D9/434, 447; D14/432; D26/138

See application file for complete search history.

(56) **References Cited**

U.S. PATENT DOCUMENTS

2,284,058	A	5/1942	Kaiser et al.	
2,528,370	A	10/1950	Johnston	
D270,574	S *	9/1983	Black	D25/68
D274,803	S *	7/1984	Hughes	D12/126
4,700,697	A	10/1987	Mundell et al.	
4,782,824	A	11/1988	Davies	
D310,520	S *	9/1990	Bedard	D14/432
D321,124	S *	10/1991	Gary	D8/373
D321,125	S *	10/1991	Gary	D8/373
D322,211	S *	12/1991	Gary	D8/373

(Continued)

Primary Examiner — T. Chase Nelson

Assistant Examiner — Mark Cavanna

(74) *Attorney, Agent, or Firm* — Robert H. Eichenberger; Scott W. Higdon; Middleton Reutlinger

(57) **CLAIM**

The ornamental design for a sleep aid, as shown and described.

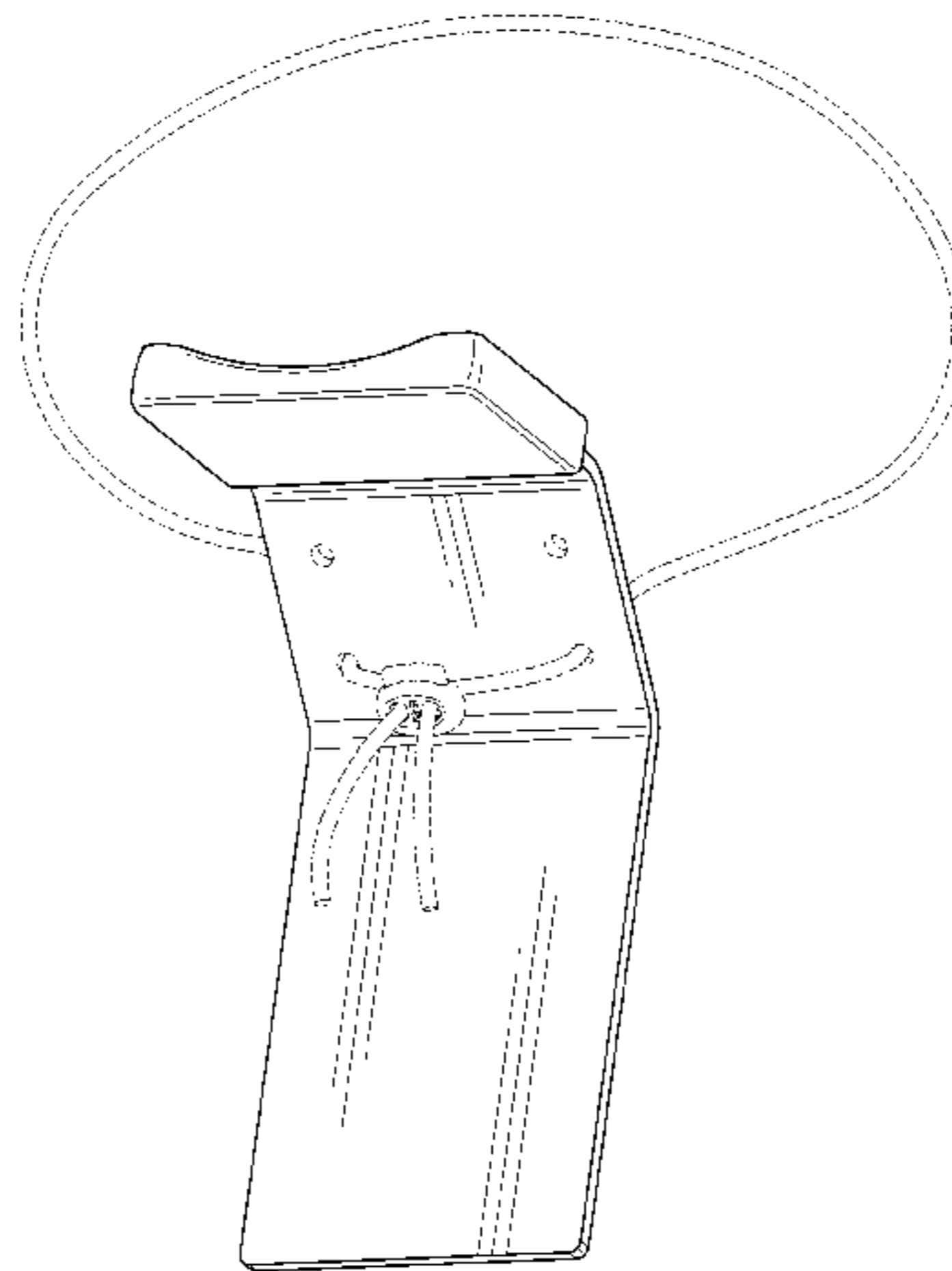
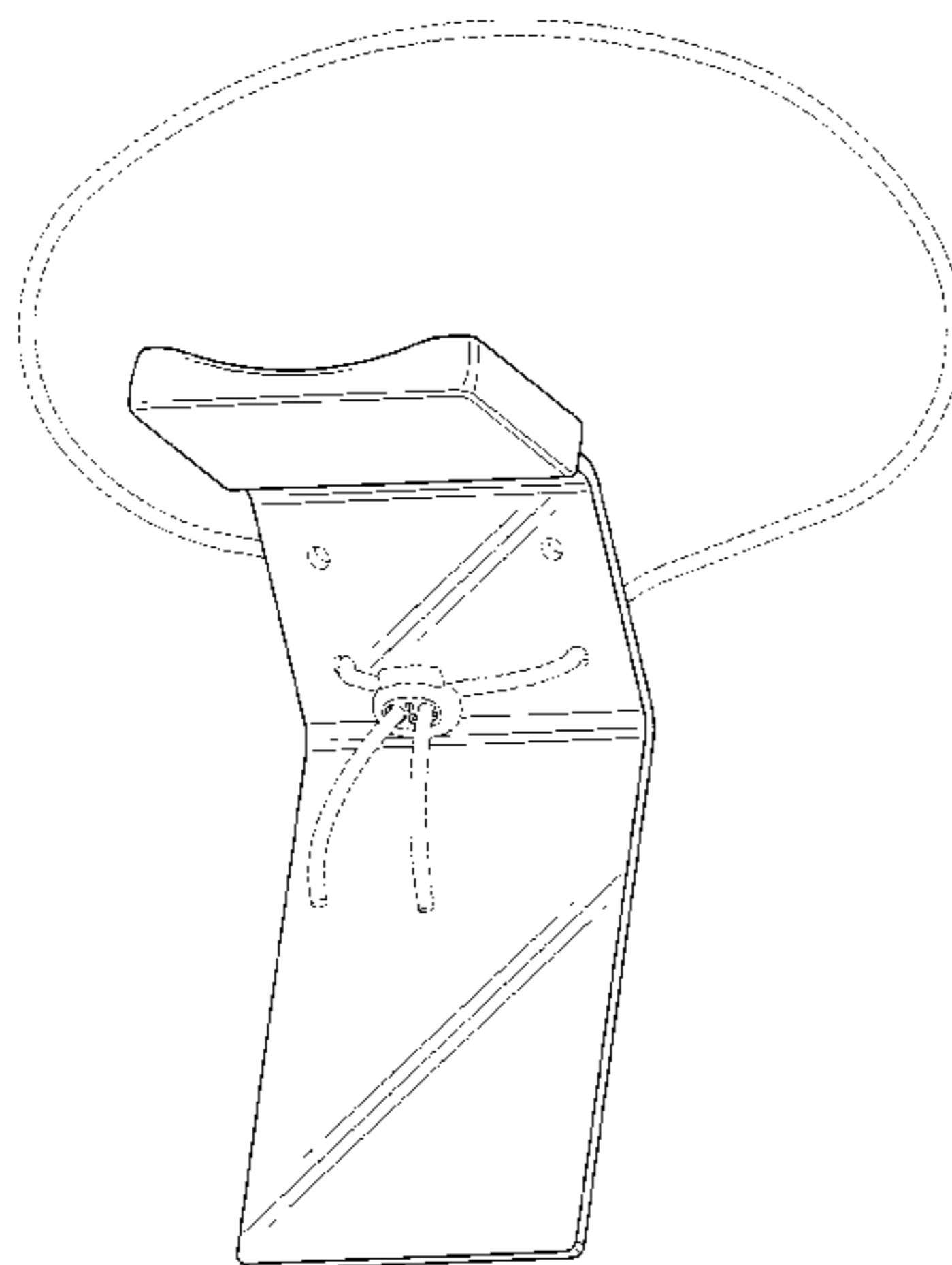
DESCRIPTION

FIG. 1 is a bottom front left side perspective view of a first embodiment of a sleep aid showing my design;

FIG. 2 is a top front left side perspective view thereof;
FIG. 3 is a front elevational view thereof;
FIG. 4 is a rear elevational view thereof;
FIG. 5 is a right side elevational view thereof;
FIG. 6 is a left side elevational view thereof;
FIG. 7 is a top plan view thereof;
FIG. 8 is a bottom plan view thereof;
FIG. 9 is a front left side perspective view of a second embodiment of the sleep aid of my design;
FIG. 10 is a top front left side perspective view thereof;
FIG. 11 is a front elevational view thereof;
FIG. 12 is a rear elevational view thereof;
FIG. 13 is a right side elevational view thereof;
FIG. 14 is a left side elevational view thereof;
FIG. 15 is a top plan view thereof;
FIG. 16 is a bottom plan view thereof;
FIG. 17 is a front left side perspective view of a third embodiment of the sleep aid of my design;
FIG. 18 is a top front left side perspective view thereof;
FIG. 19 is a front elevational view thereof;
FIG. 20 is a rear elevational view thereof;
FIG. 21 is a right side elevational view thereof;
FIG. 22 is a left side elevational view thereof;
FIG. 23 is a top plan view thereof;
FIG. 24 is a bottom plan view thereof;
FIG. 25 is a front left side perspective view of a fourth embodiment of the sleep aid of my design;
FIG. 26 is a top front left side perspective view thereof;
FIG. 27 is a front elevational view thereof;
FIG. 28 is a rear elevational view thereof;
FIG. 29 is a right side elevational view thereof;
FIG. 30 is a left side elevational view thereof;
FIG. 31 is a top plan view thereof; and,
FIG. 32 is a bottom plan view thereof.

The broken lines showing environmental structure are for illustrative purposes only and form no part of the claimed design. The dashed-dotted broken lines visible in FIGS. 17-23 and 25-31 define the bounds of the claimed design in those embodiments and form no part of the claimed design in those embodiments.

1 Claim, 32 Drawing Sheets



US D645,149 S

Page 2

U.S. PATENT DOCUMENTS

D360,544 S *	7/1995	Gauthier	D6/411	D556,014 S *	11/2007	Wurdack	D8/349
D367,220 S *	2/1996	Bush	D8/373	D582,918 S *	12/2008	Scott	D14/432
D407,821 S *	4/1999	Steele	D24/190	D584,598 S *	1/2009	Dale	D8/354
D409,077 S *	5/1999	Brooks	D8/354	D592,760 S *	5/2009	Diener et al.	D24/231
D410,089 S *	5/1999	Schiavoni	D24/191	D609,996 S *	2/2010	Le	D8/380
6,231,535 B1	5/2001	Mainiero et al.		D615,187 S *	5/2010	Bowden	D24/110
D468,019 S *	12/2002	Slautterback	D24/190	D615,848 S *	5/2010	Prichard et al.	D8/354
D487,122 S *	2/2004	Farris, Jr.	D21/662	D626,820 S *	11/2010	Boaler et al.	D8/373
6,725,511 B1	4/2004	Rodseth		D636,927 S *	4/2011	Lin	D26/138
D494,051 S *	8/2004	Klein et al.	D8/373	D636,928 S *	4/2011	Lin	D26/138
6,786,554 B1	9/2004	Zahiri		2006/0266369 A1	11/2006	Atkinson et al.	
D509,468 S *	9/2005	Viger	D12/223	2008/0041374 A1	2/2008	Reddick	
D520,322 S *	5/2006	Orlando	D8/70	2008/0223377 A1	9/2008	Kussick	
D529,792 S *	10/2006	Klein et al.	D8/373	2009/0264802 A1	10/2009	Chen	
D550,849 S *	9/2007	Baker	D24/191				

* cited by examiner

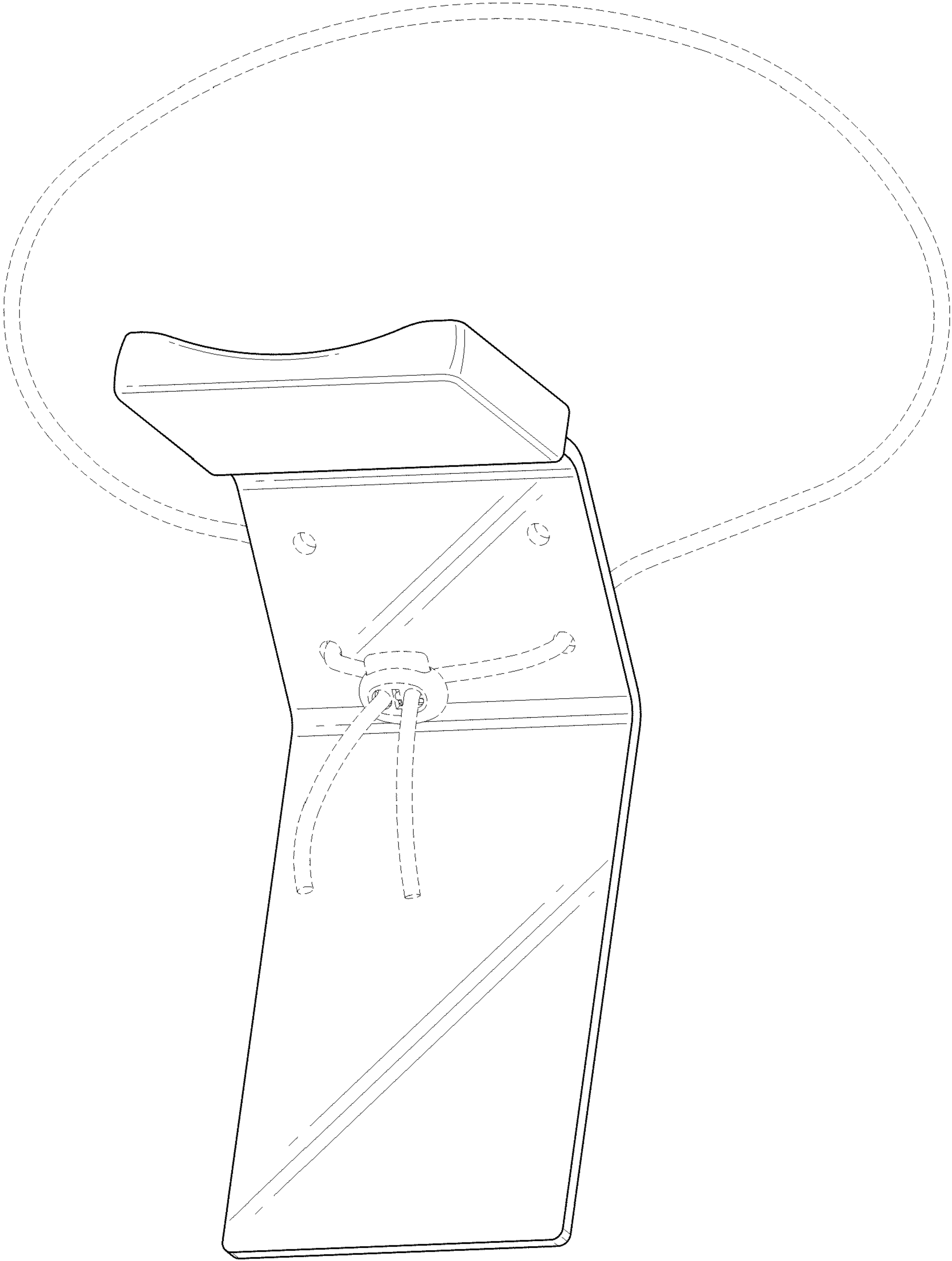


FIG. 1

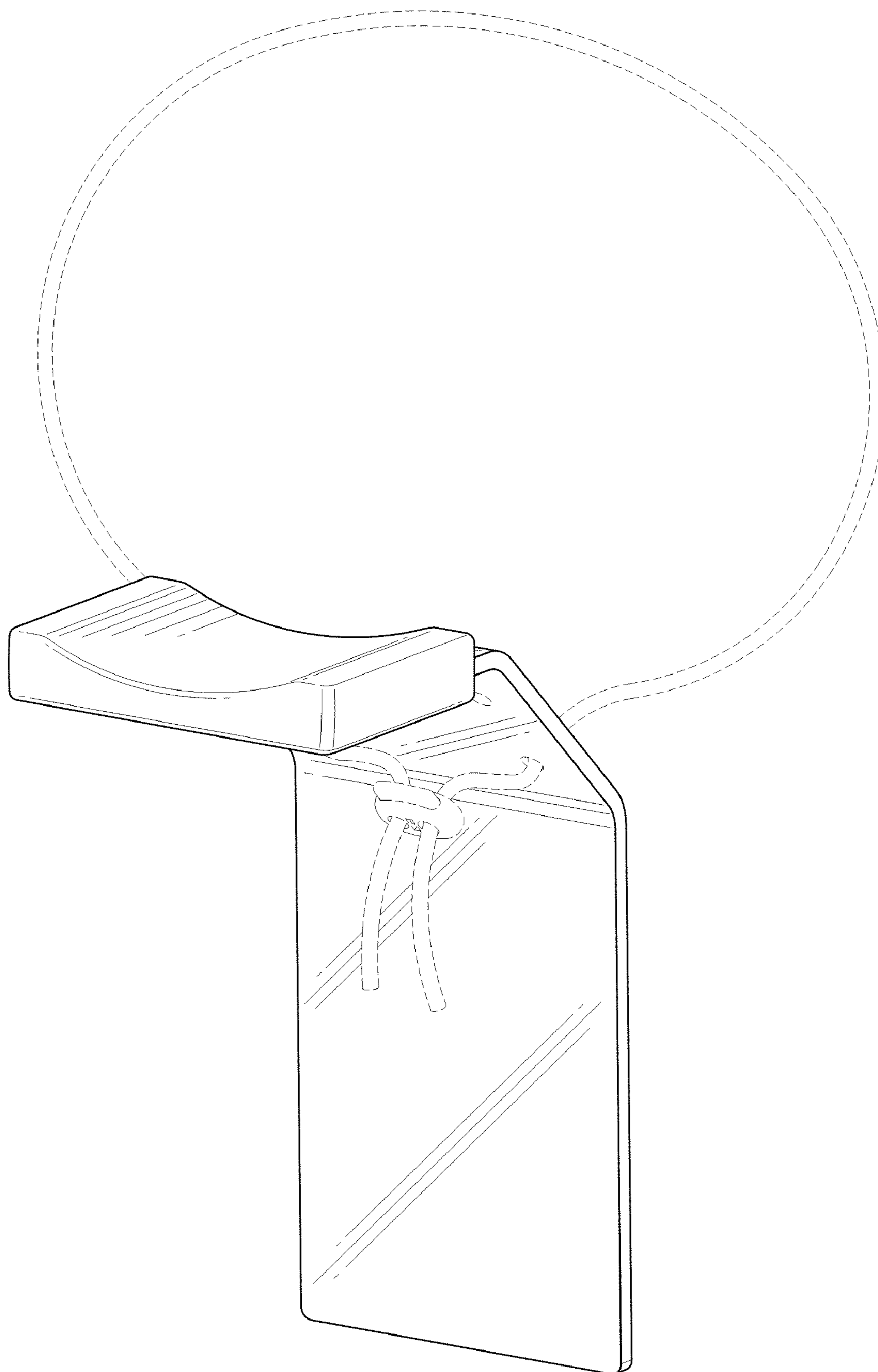


FIG. 2

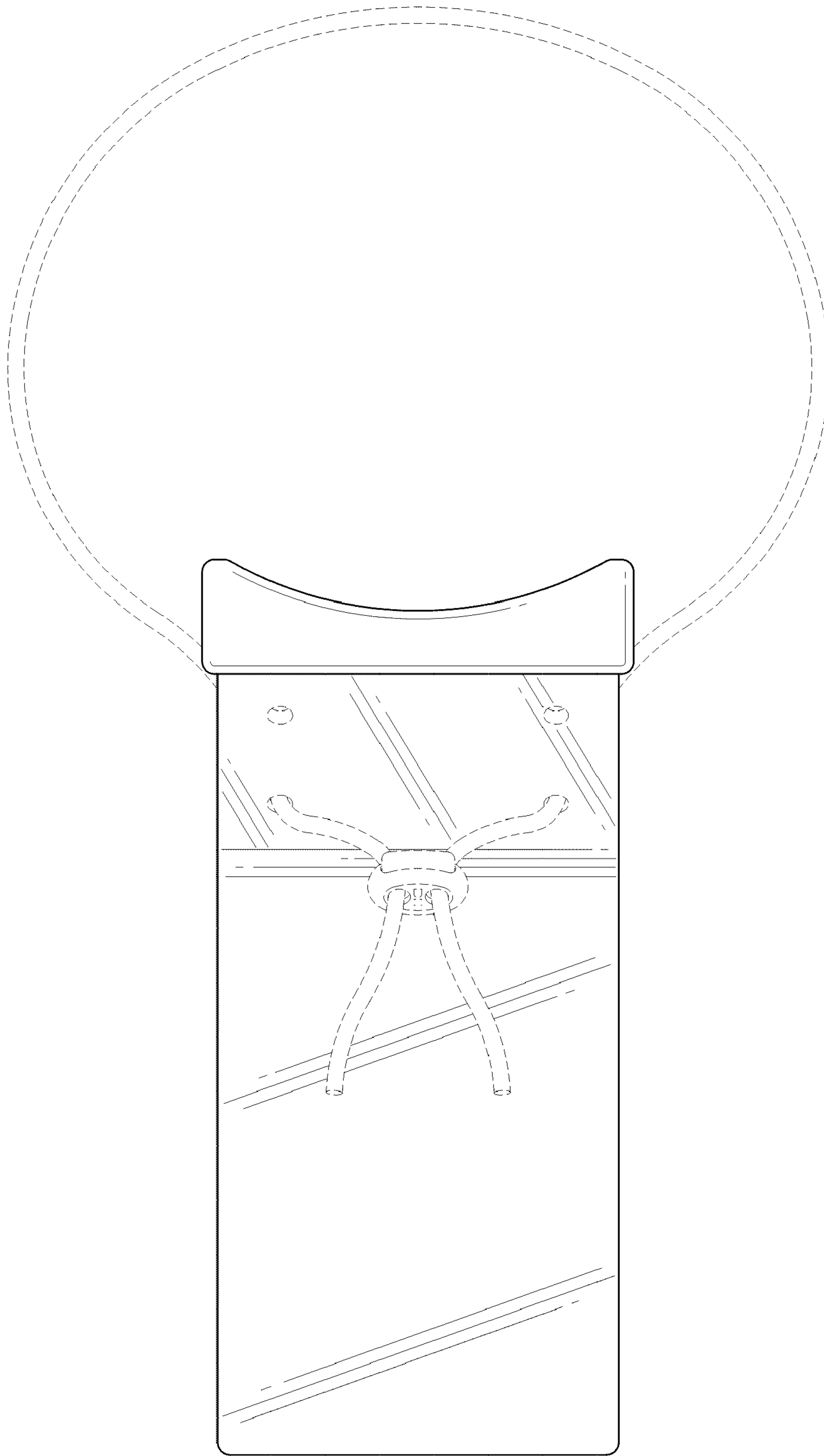


FIG. 3

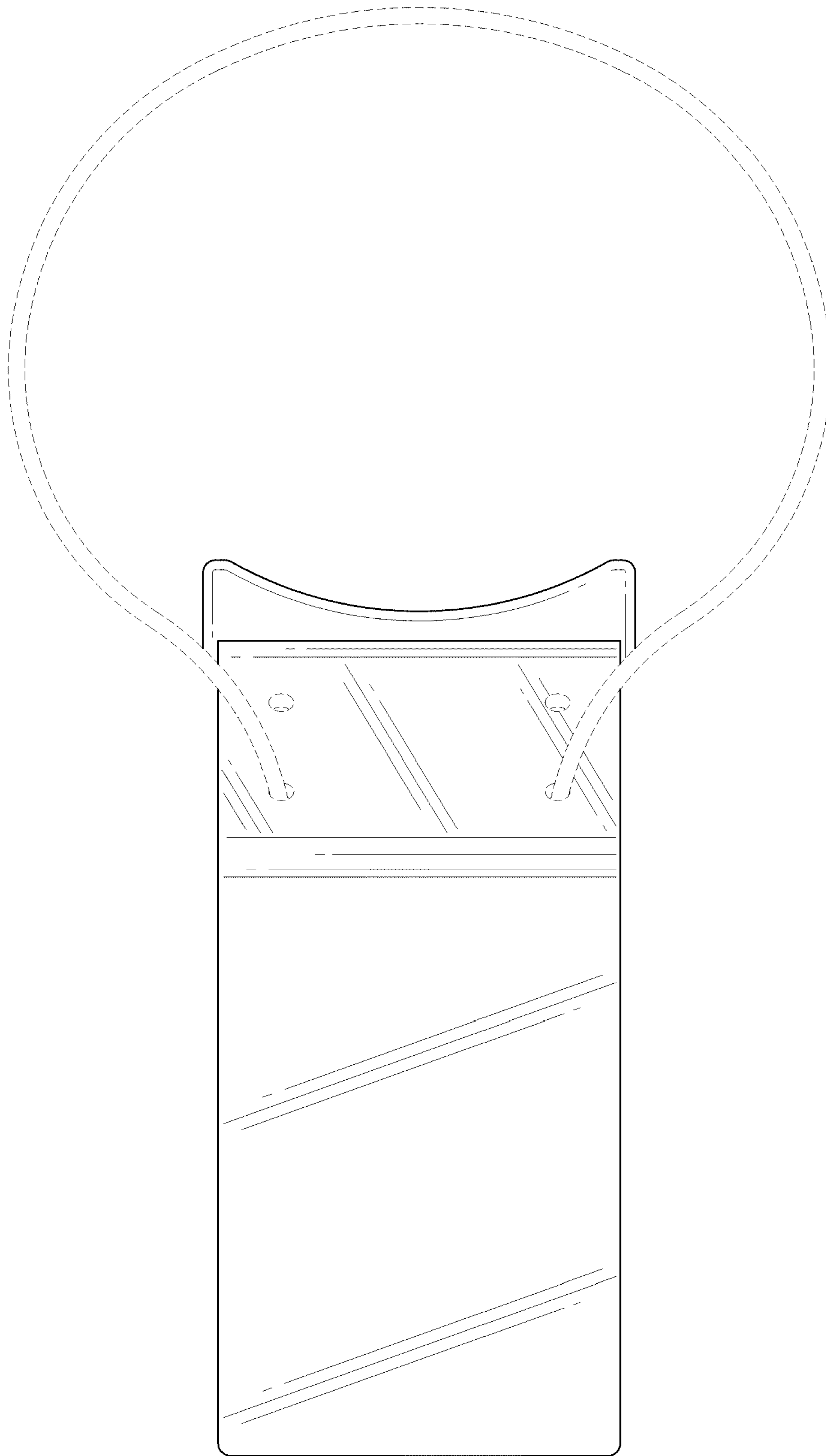


FIG. 4

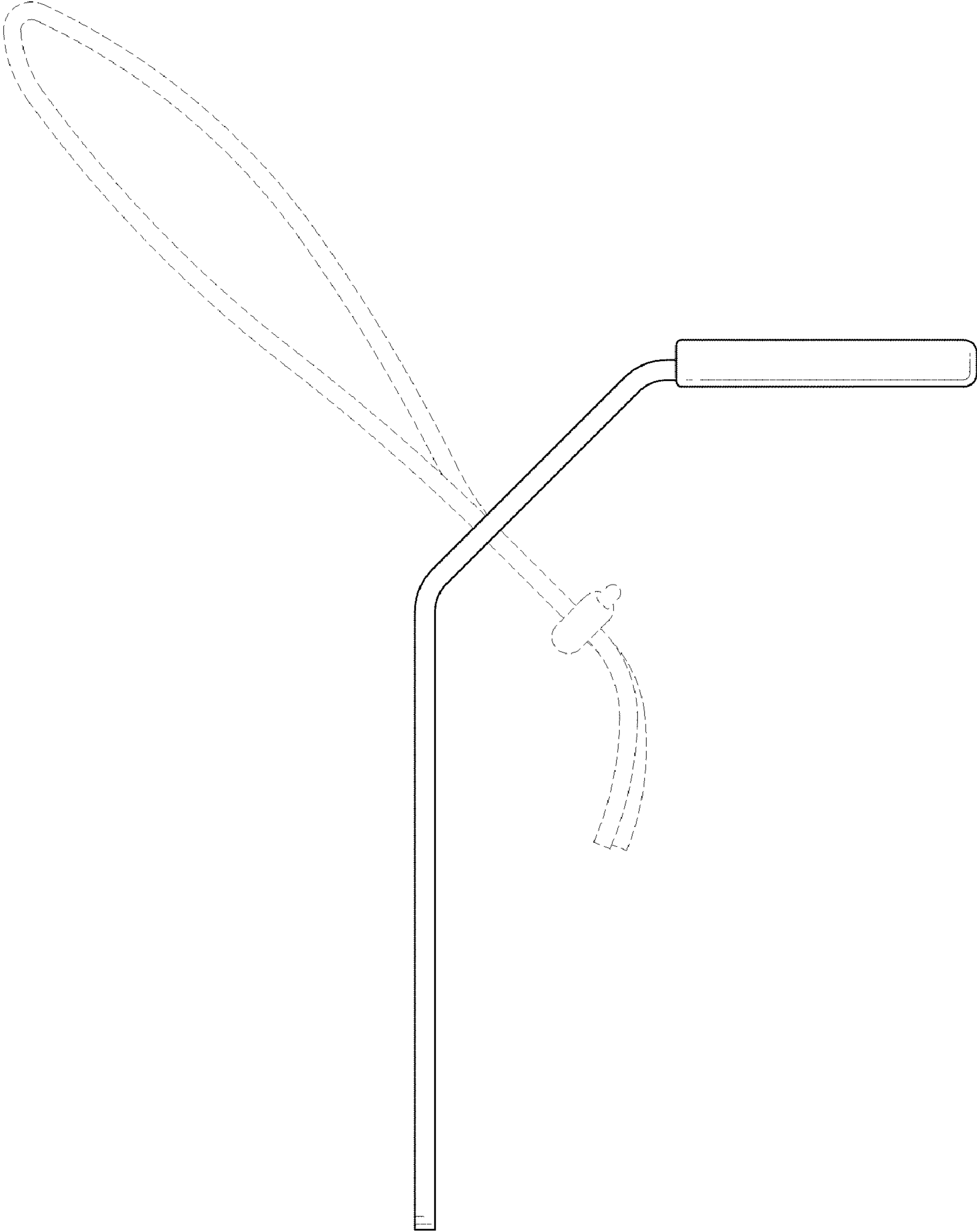


FIG. 5

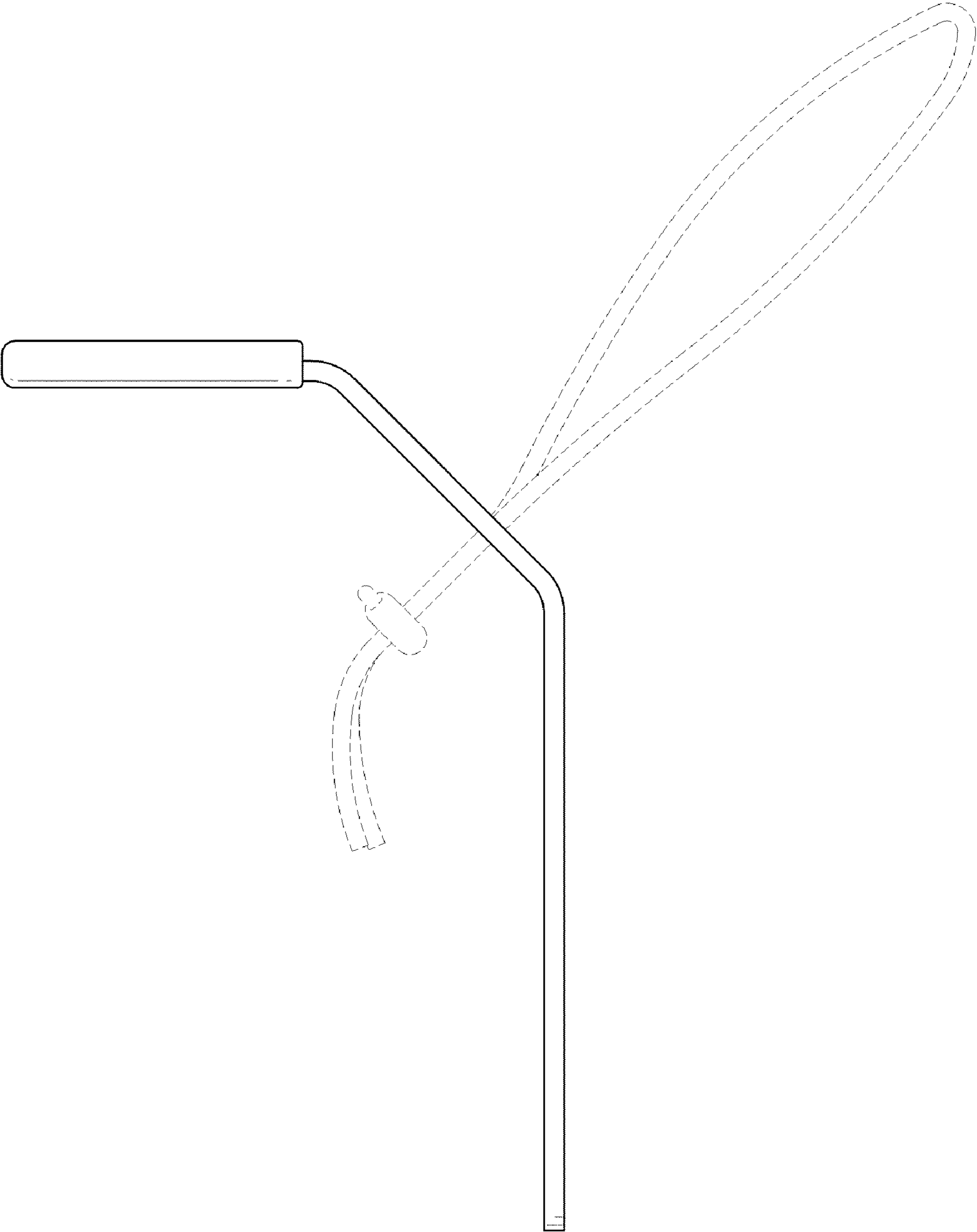


FIG. 6

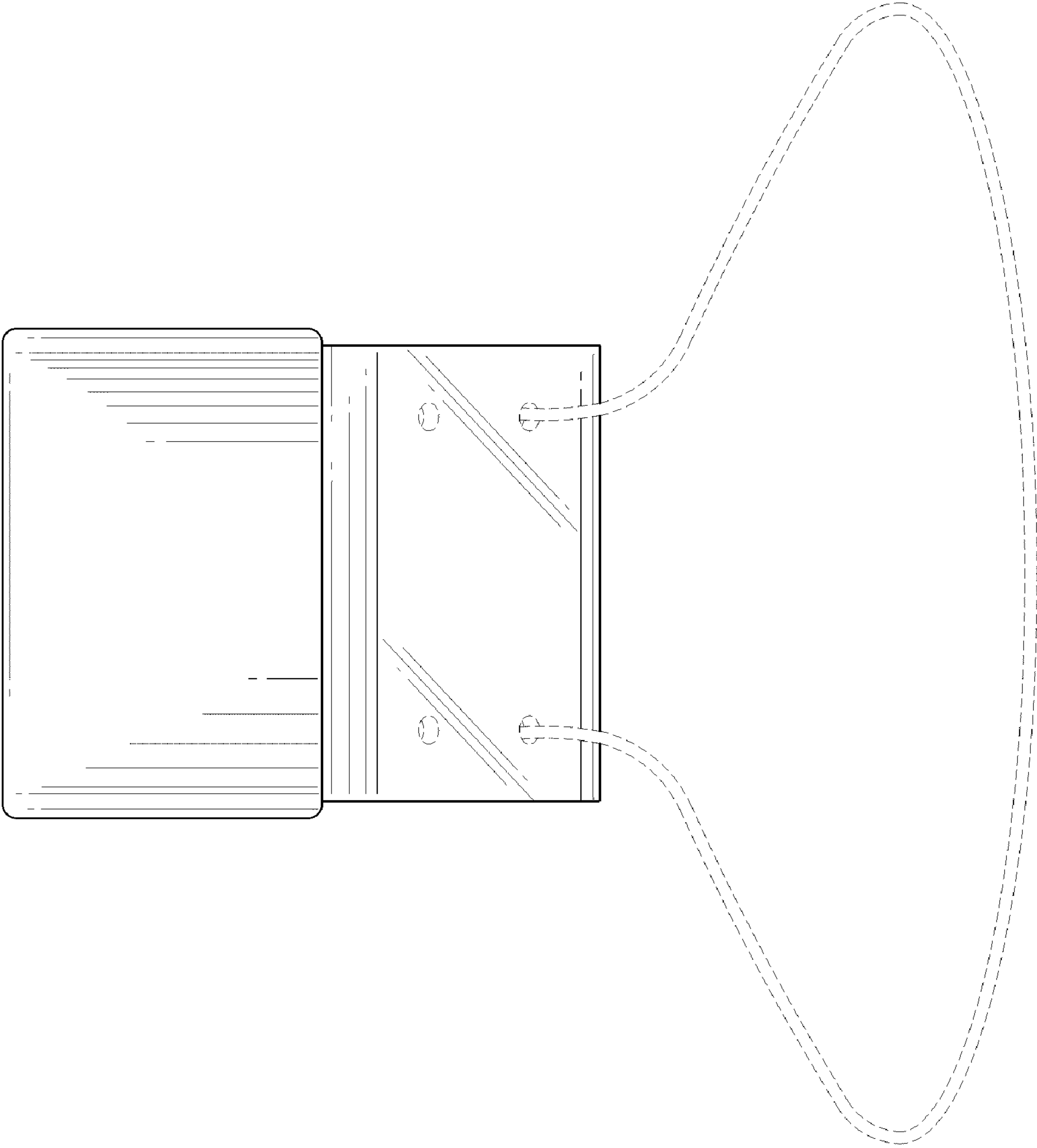


FIG. 7

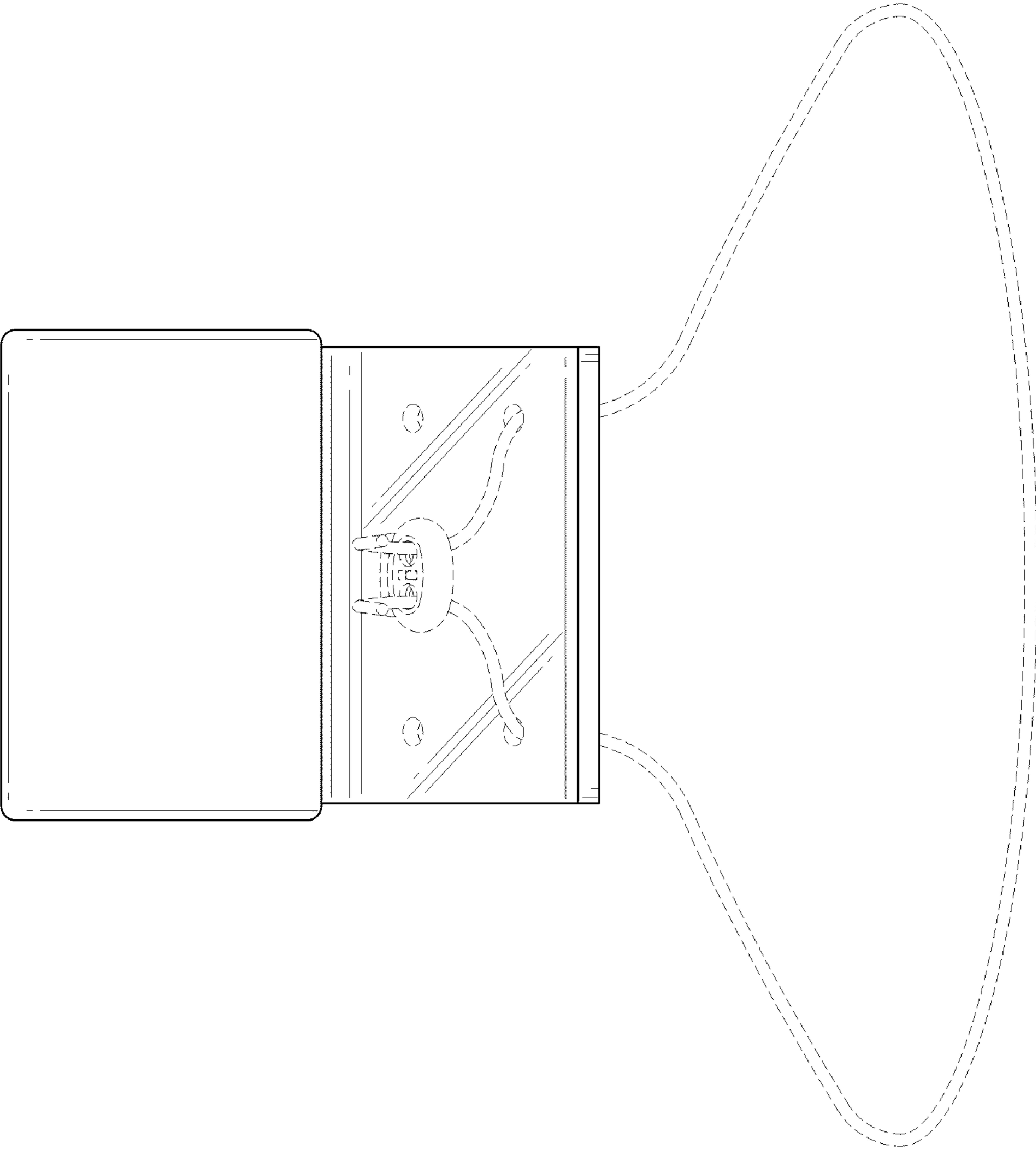


FIG. 8

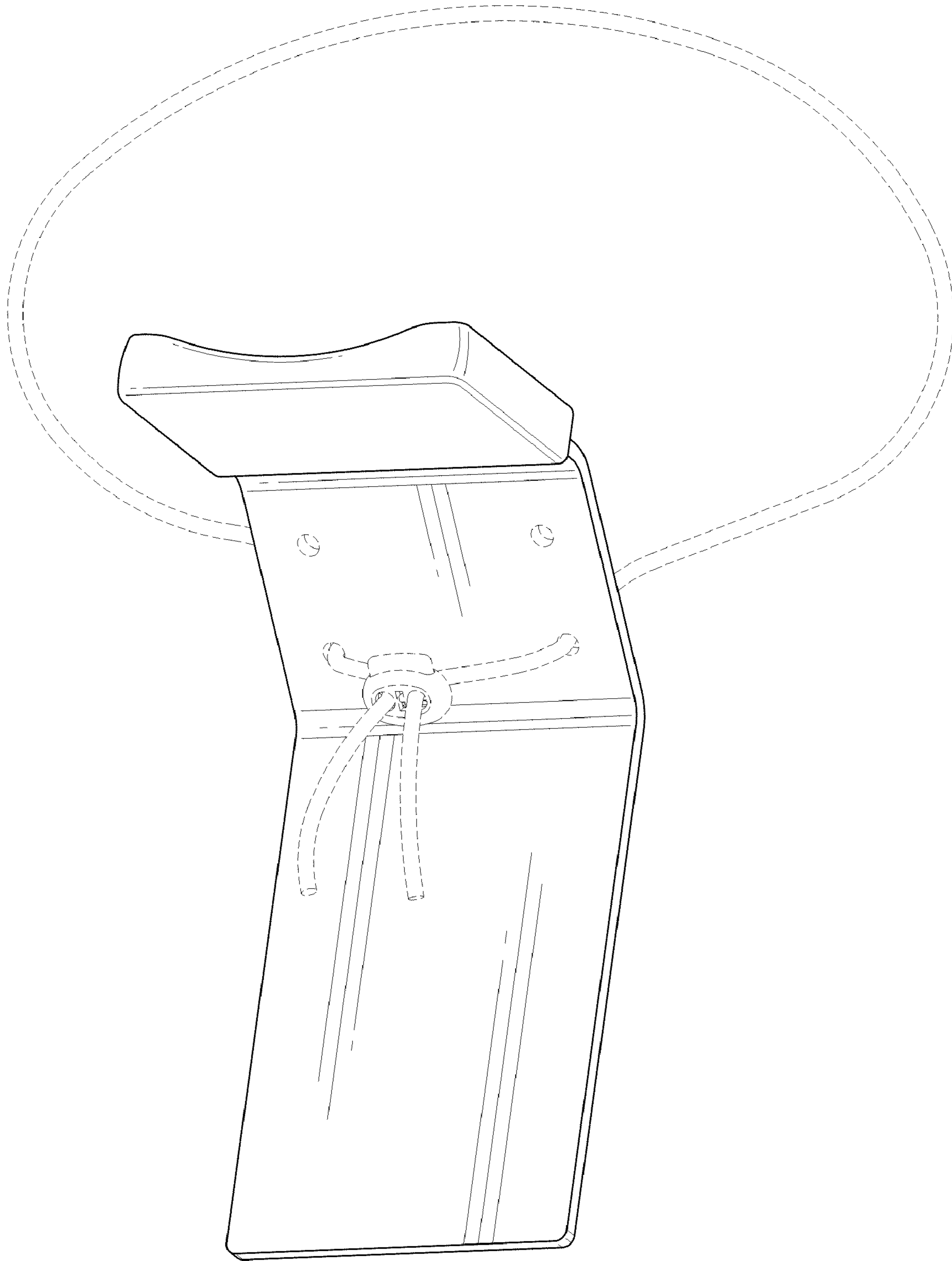


FIG. 9

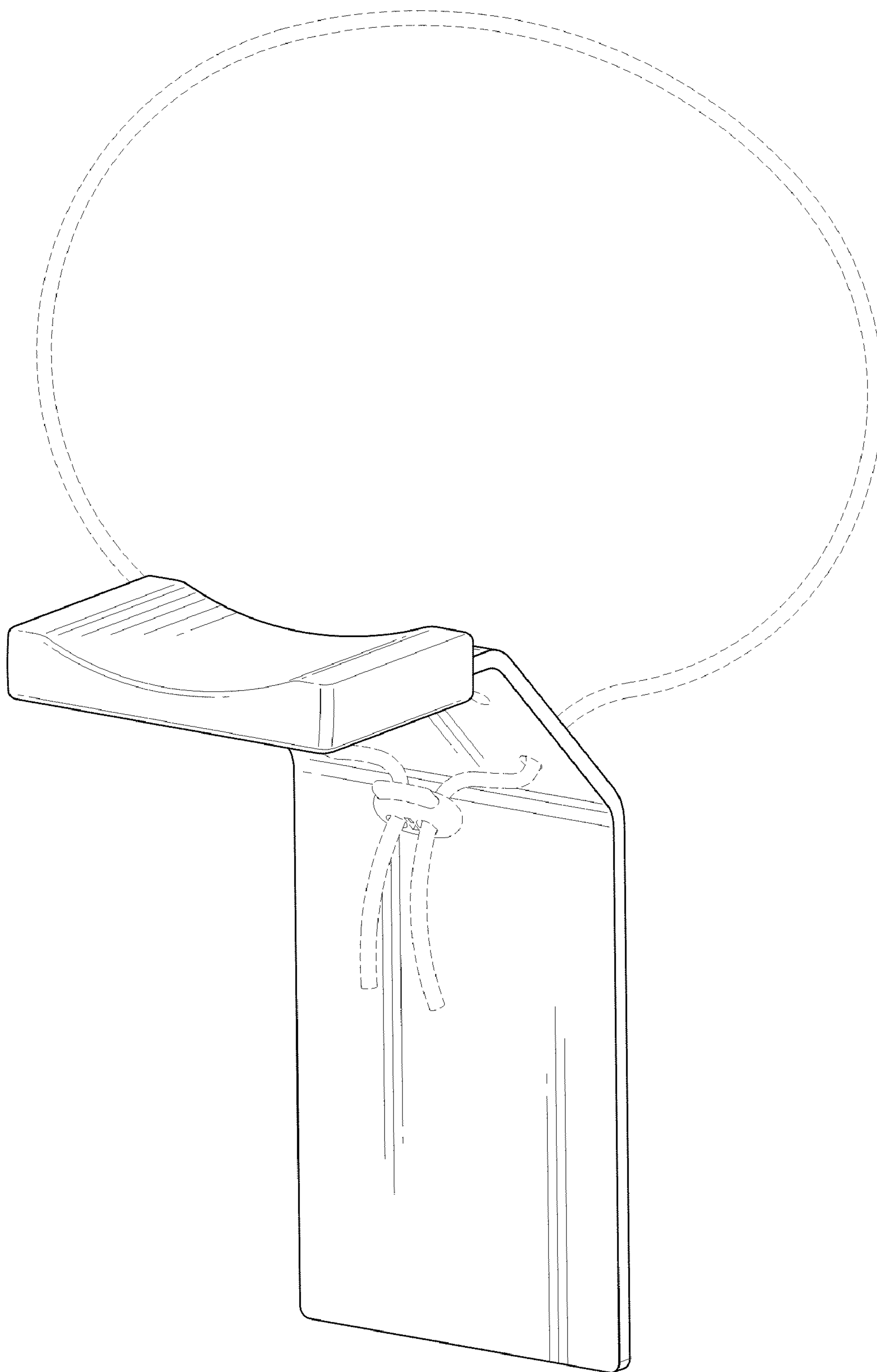


FIG. 10

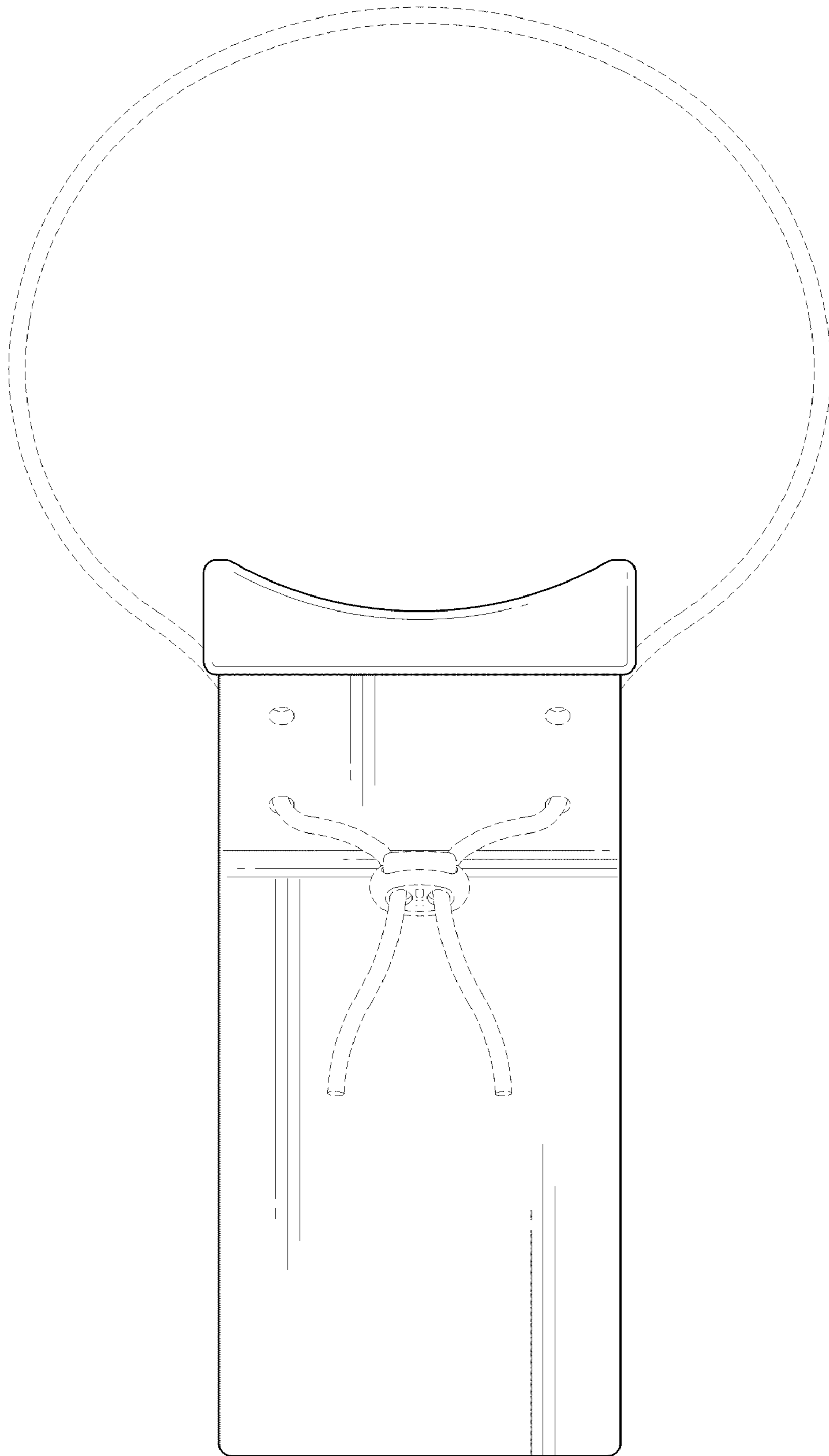


FIG. 11

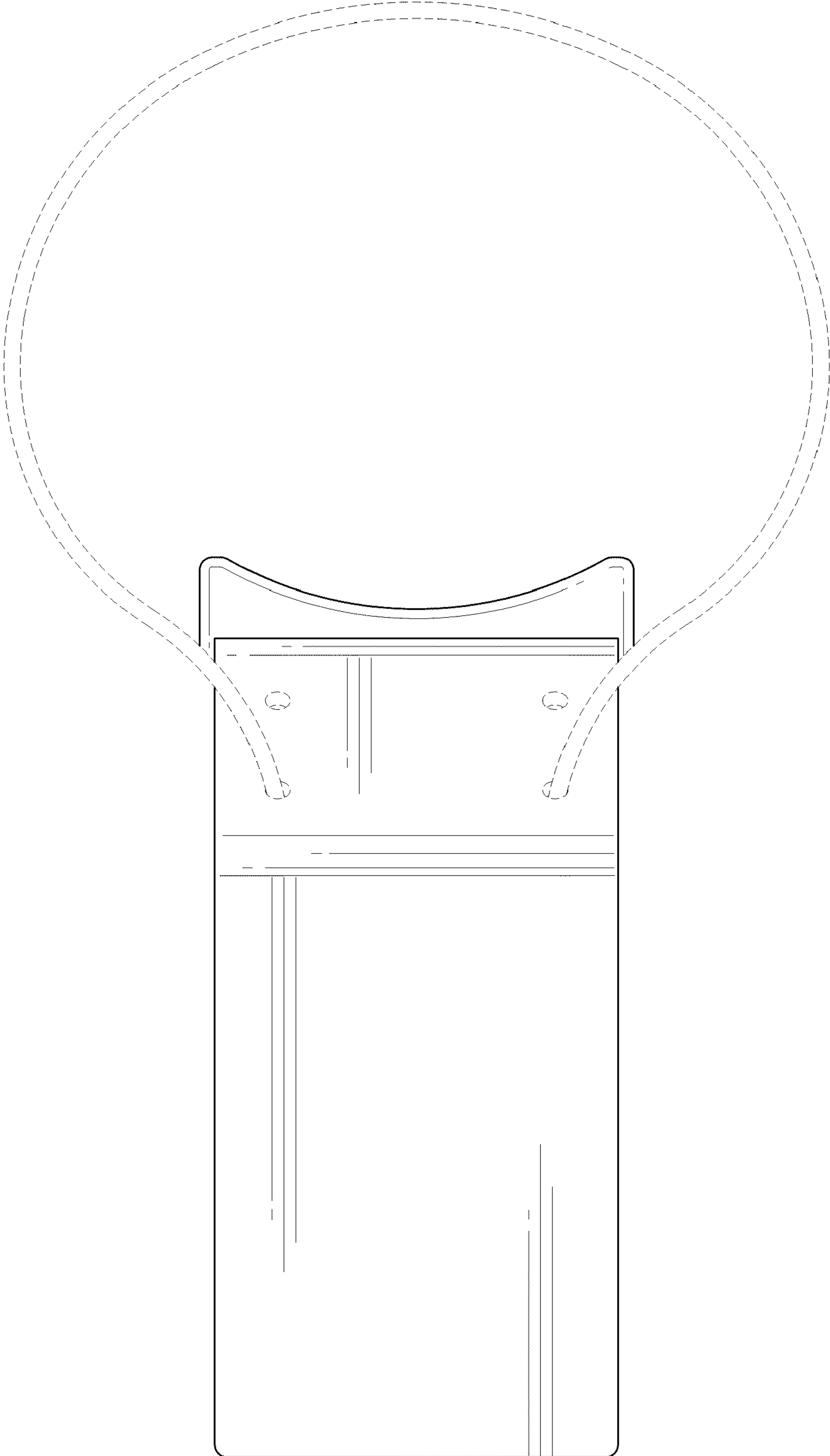


FIG. 12

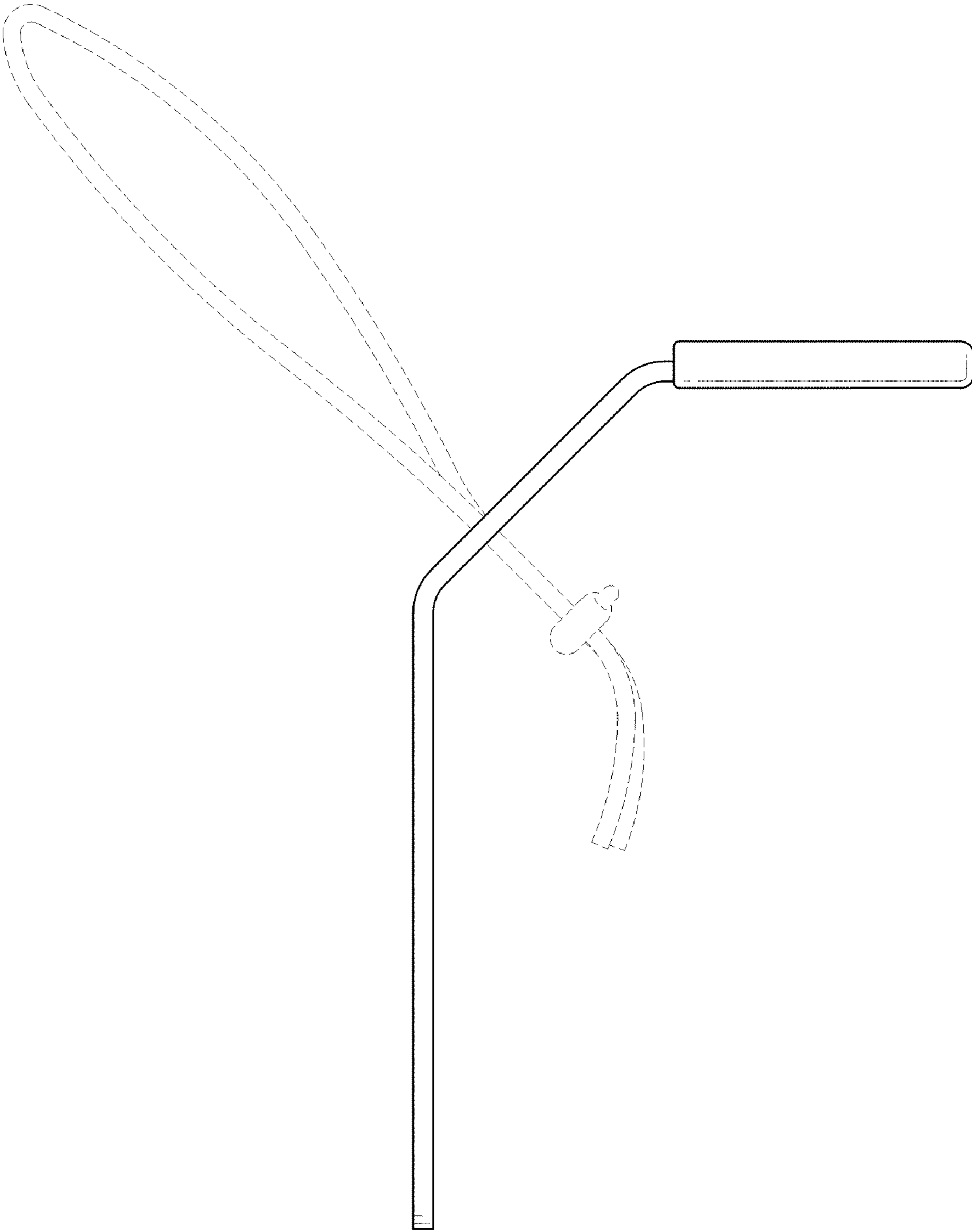


FIG. 13

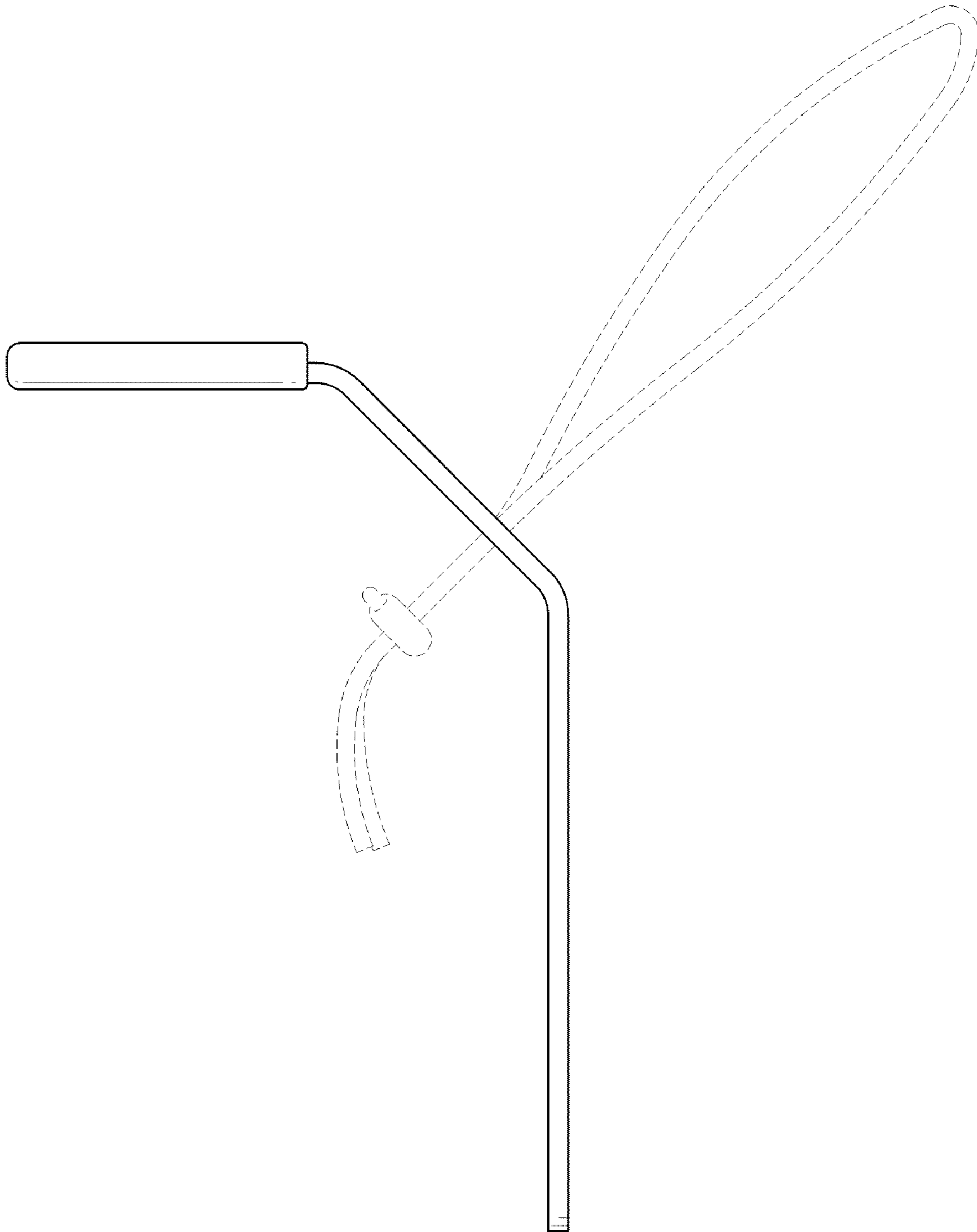


FIG. 14

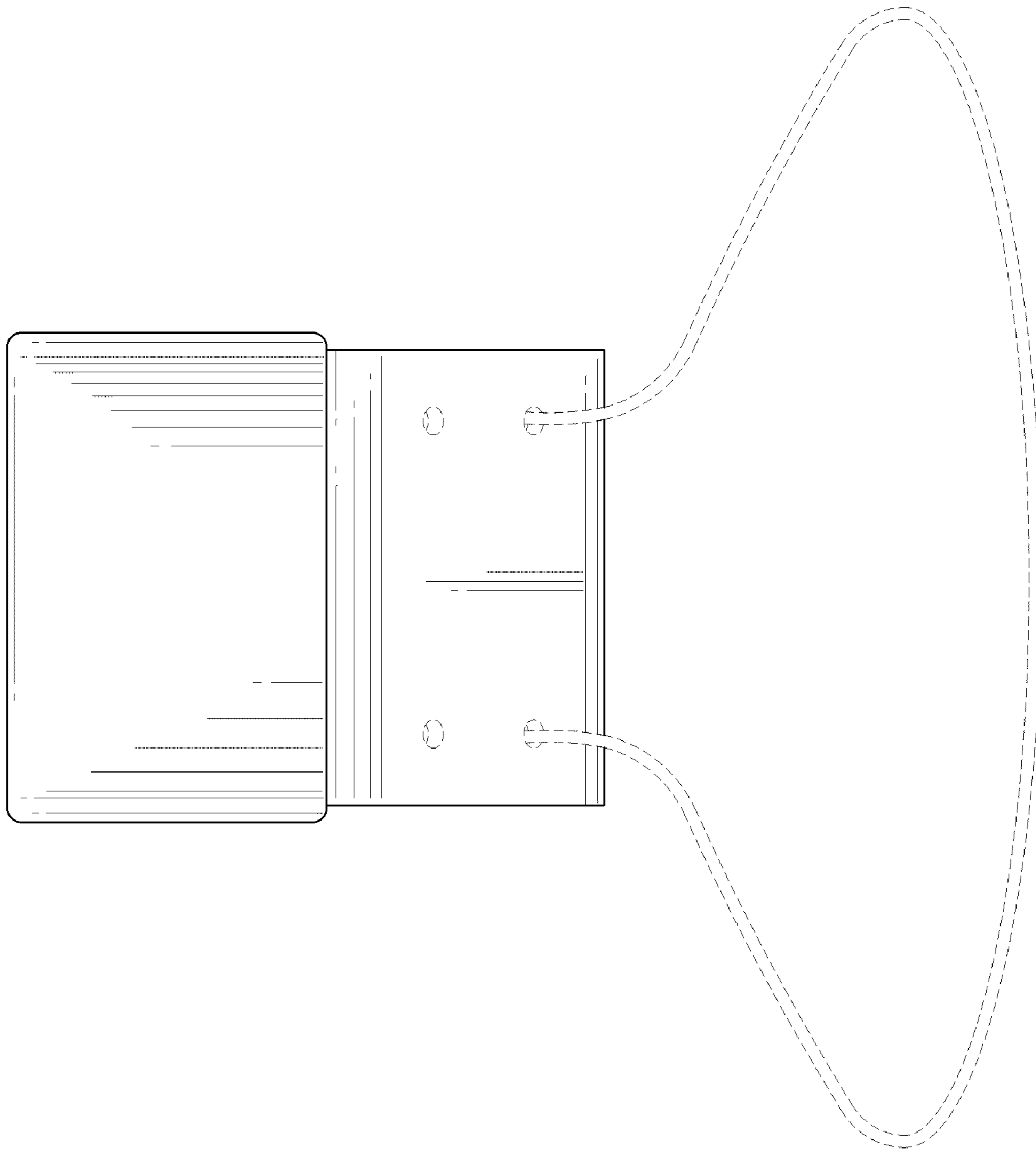


FIG. 15

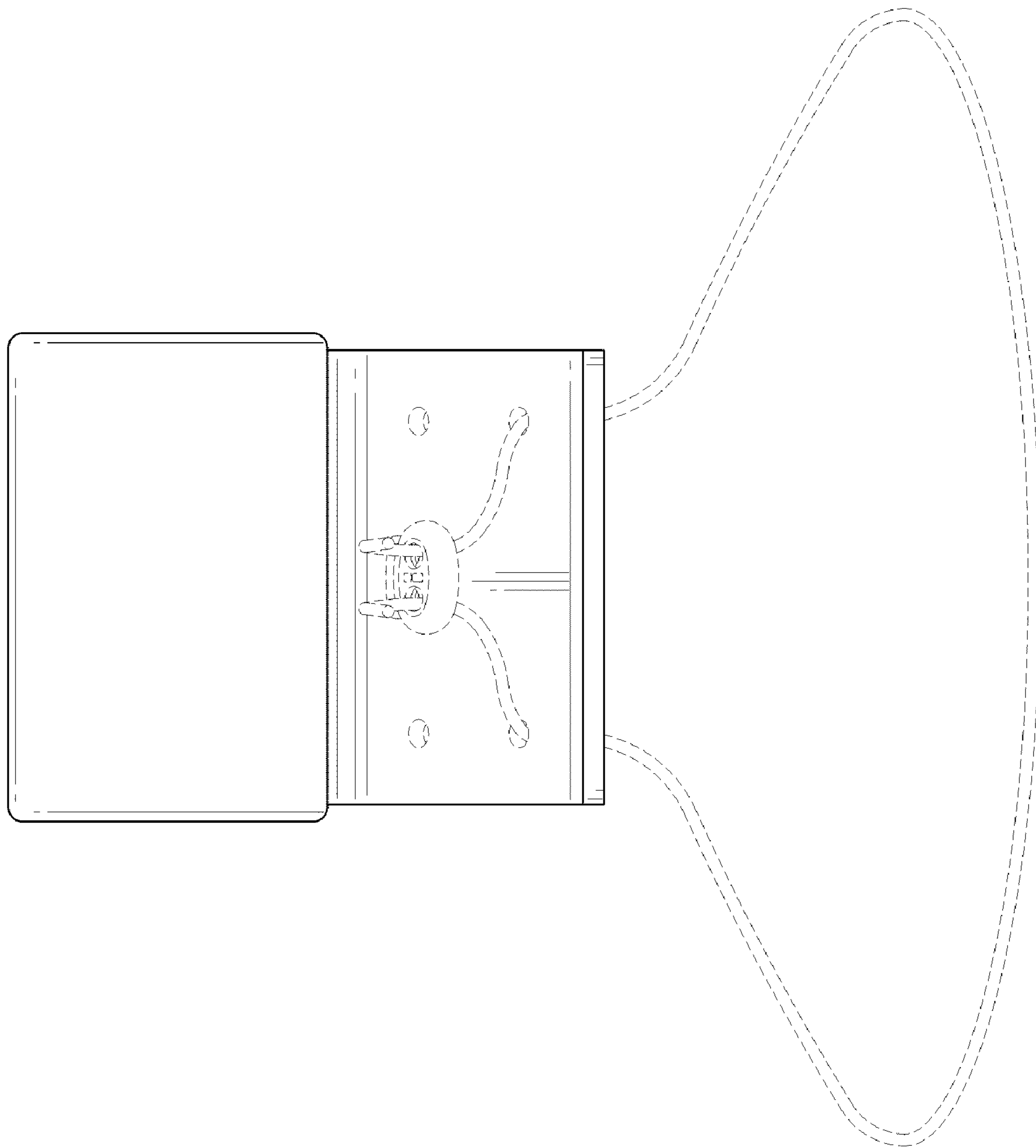


FIG. 16

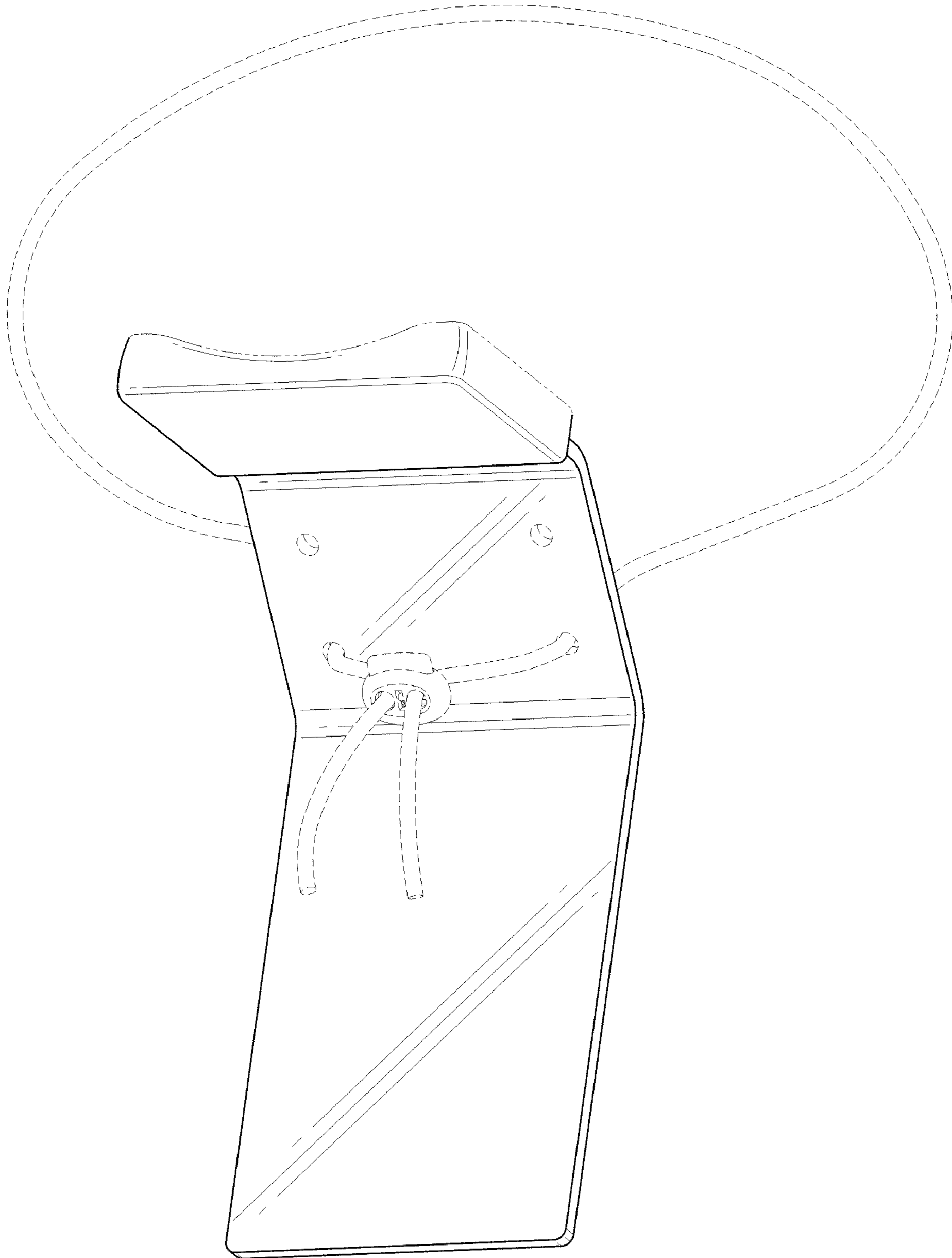


FIG. 17

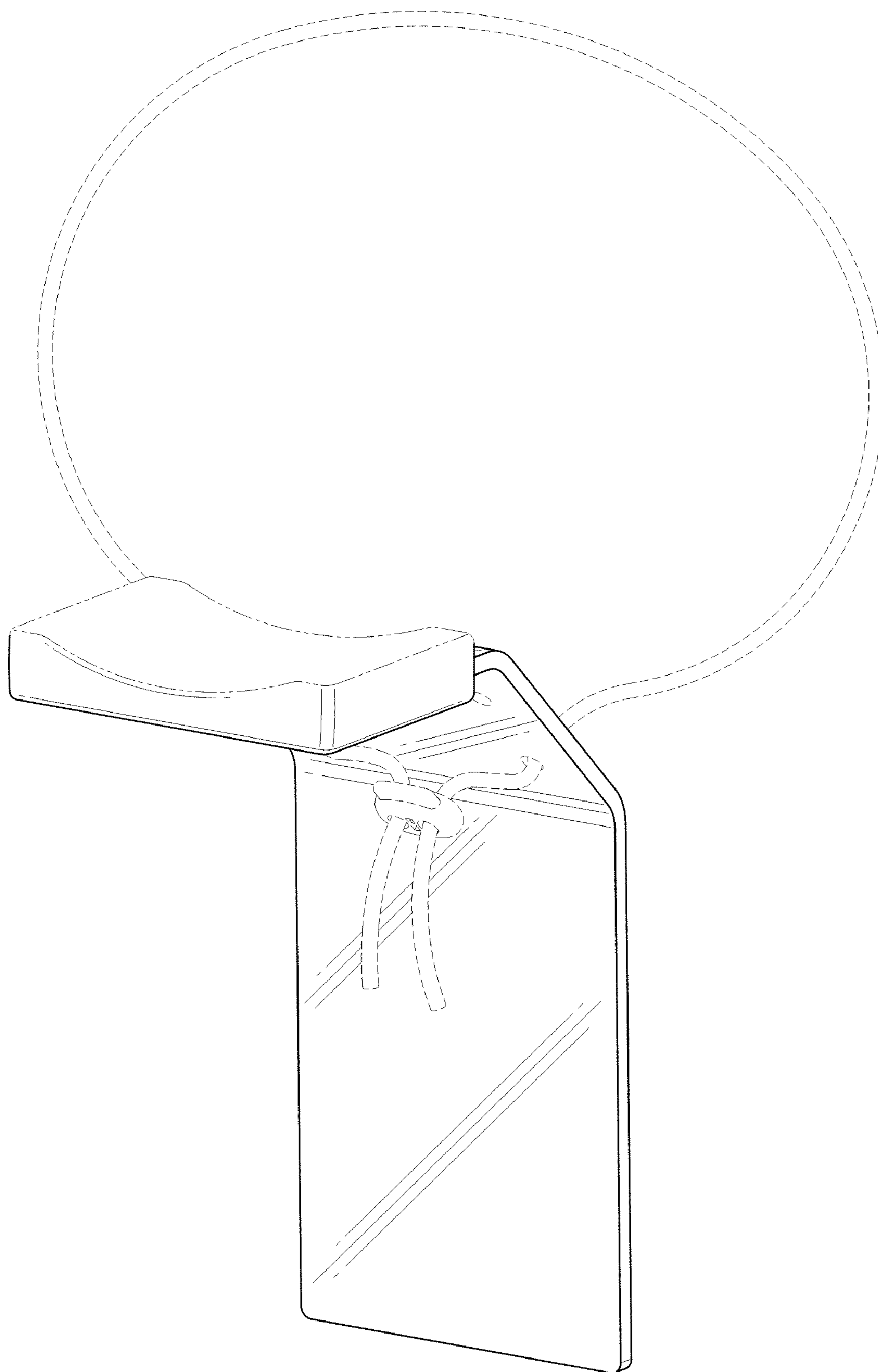


FIG. 18

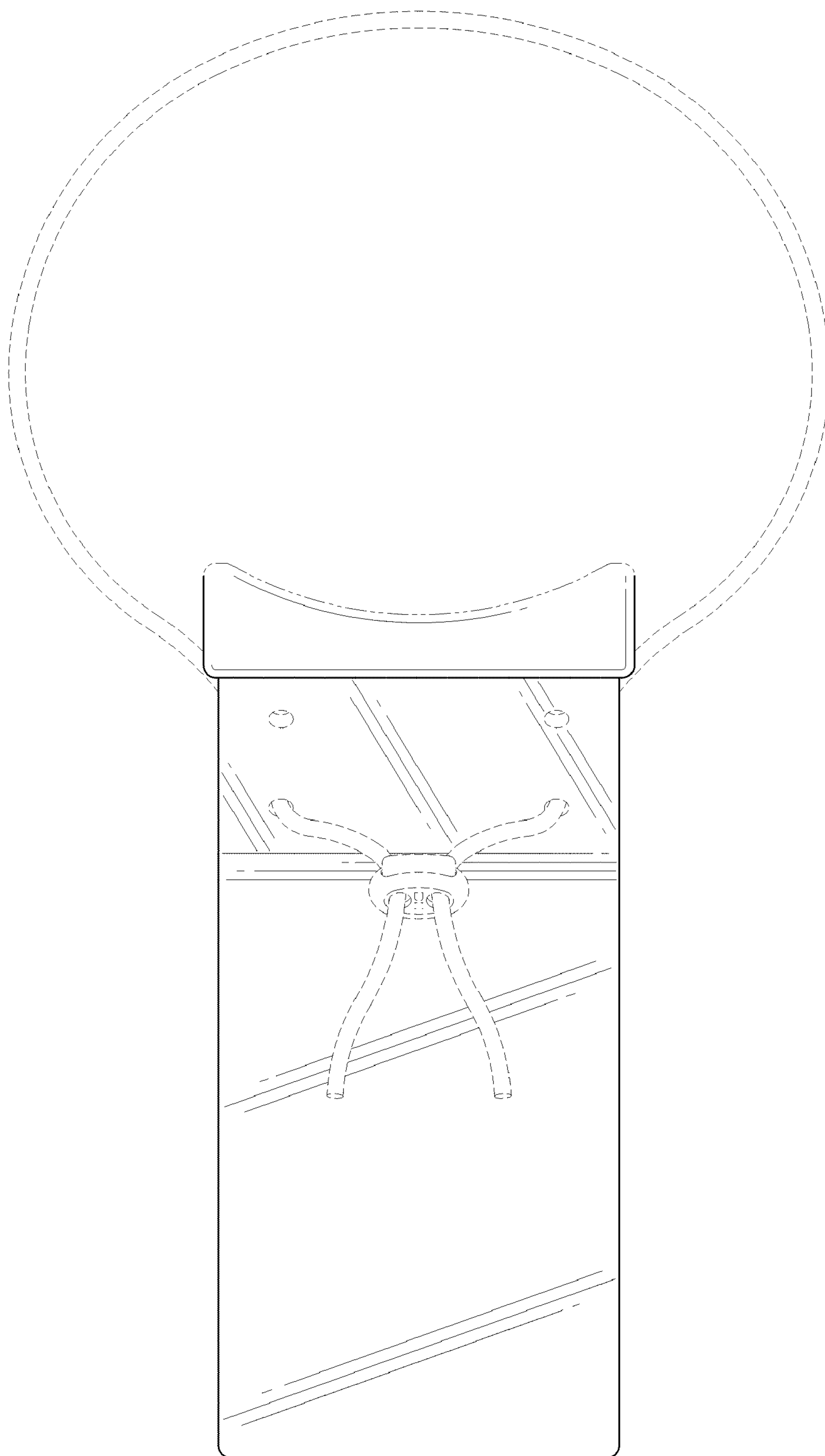


FIG. 19

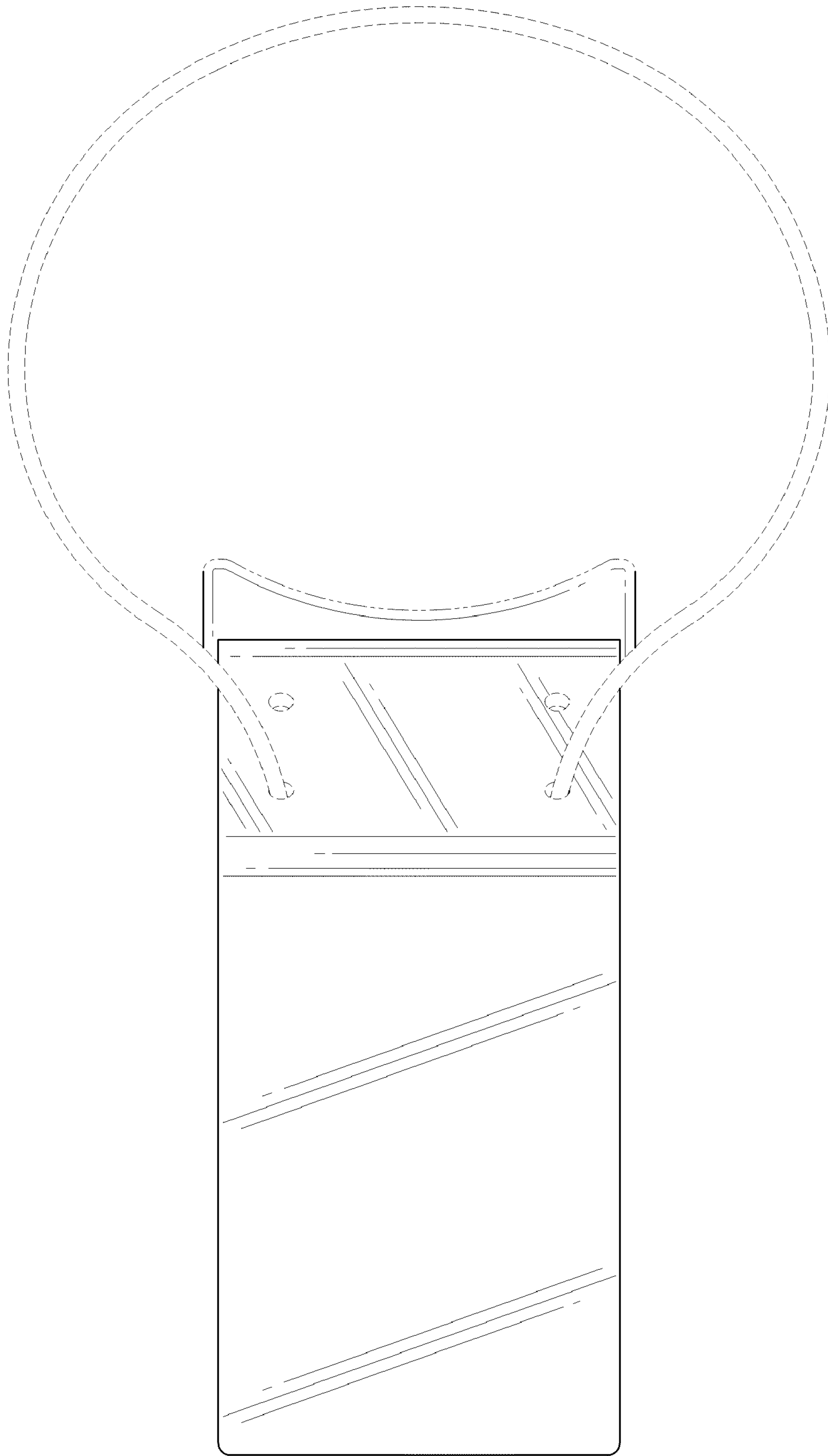


FIG. 20

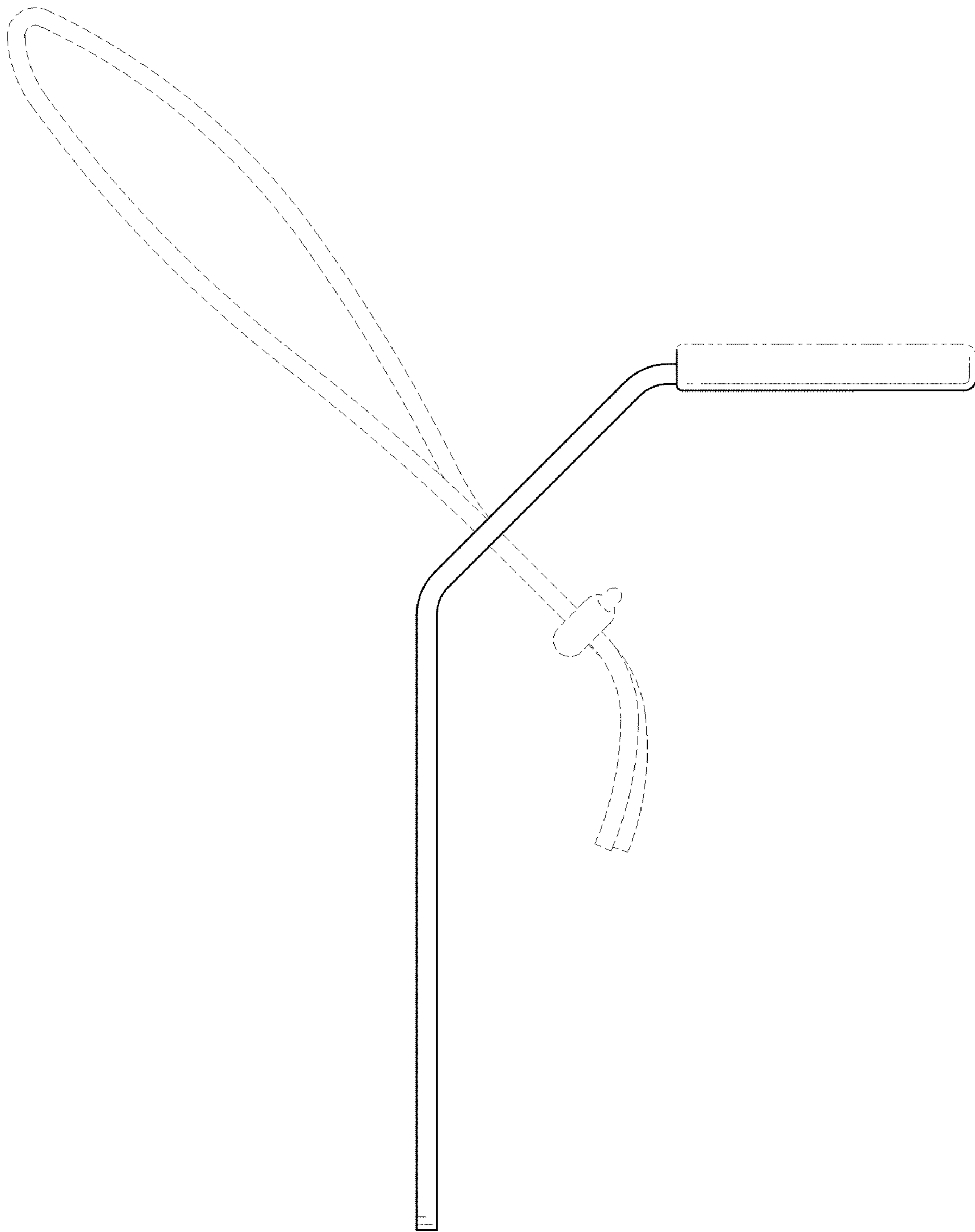


FIG. 21

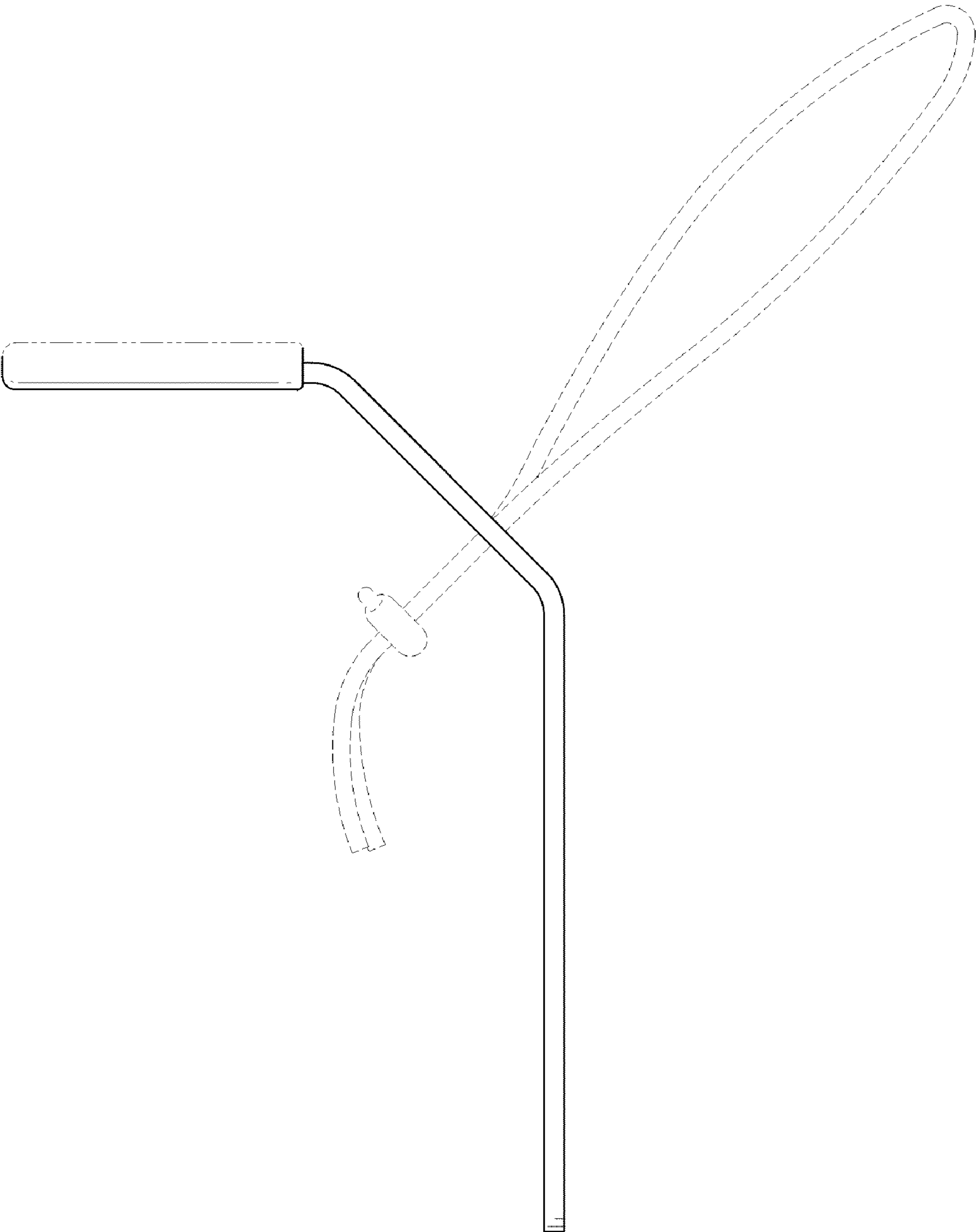


FIG. 22

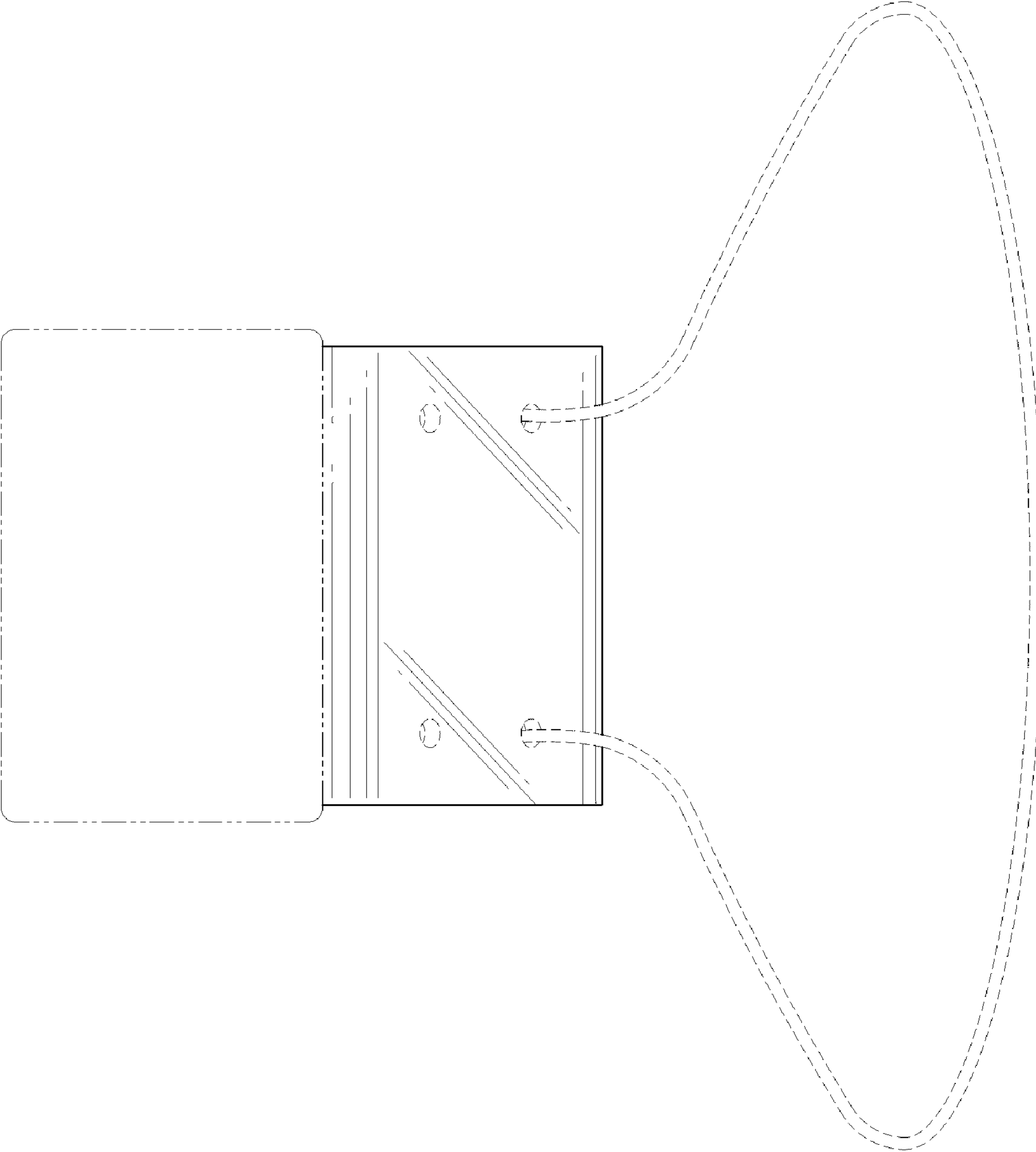


FIG. 23

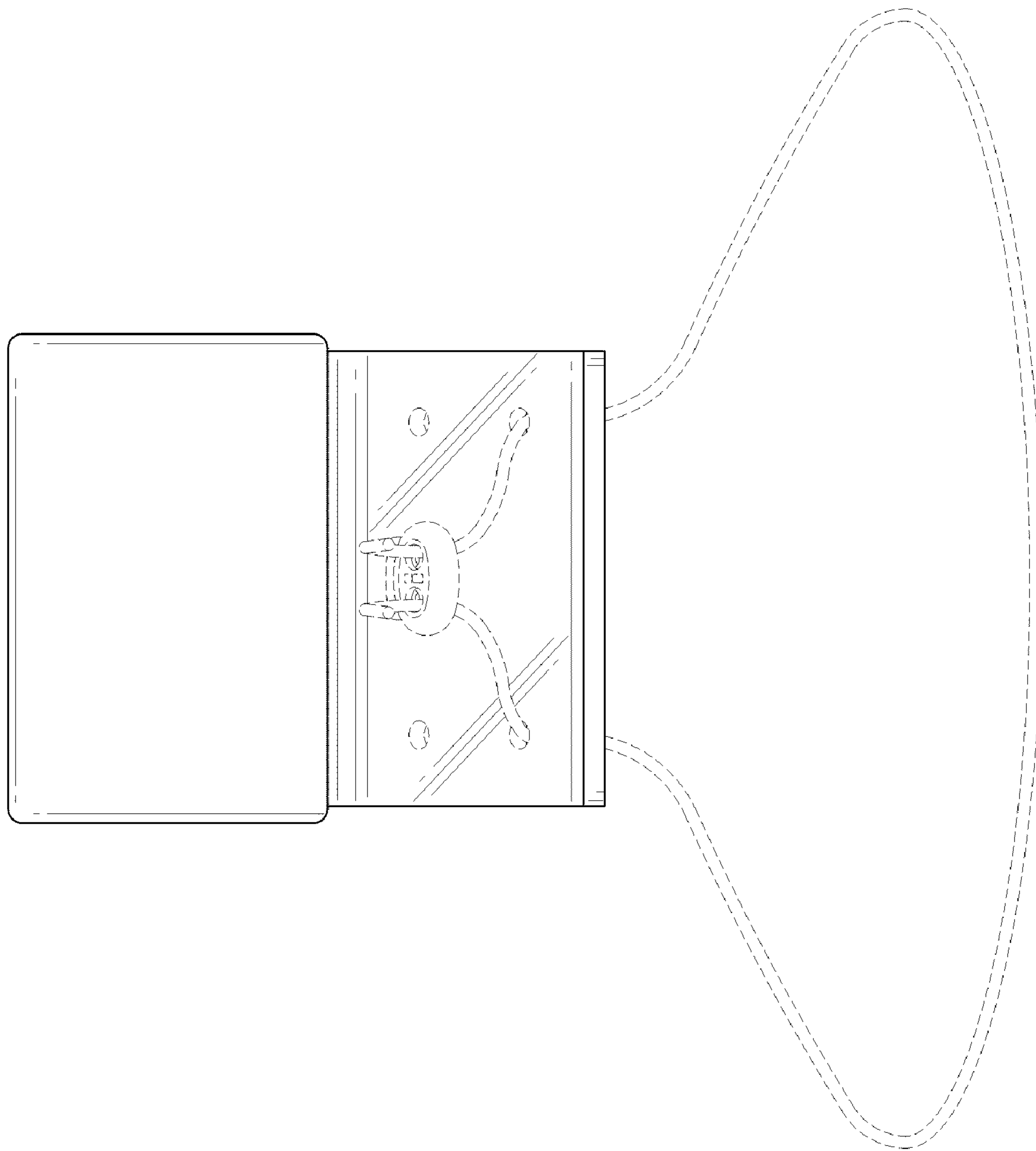


FIG. 24

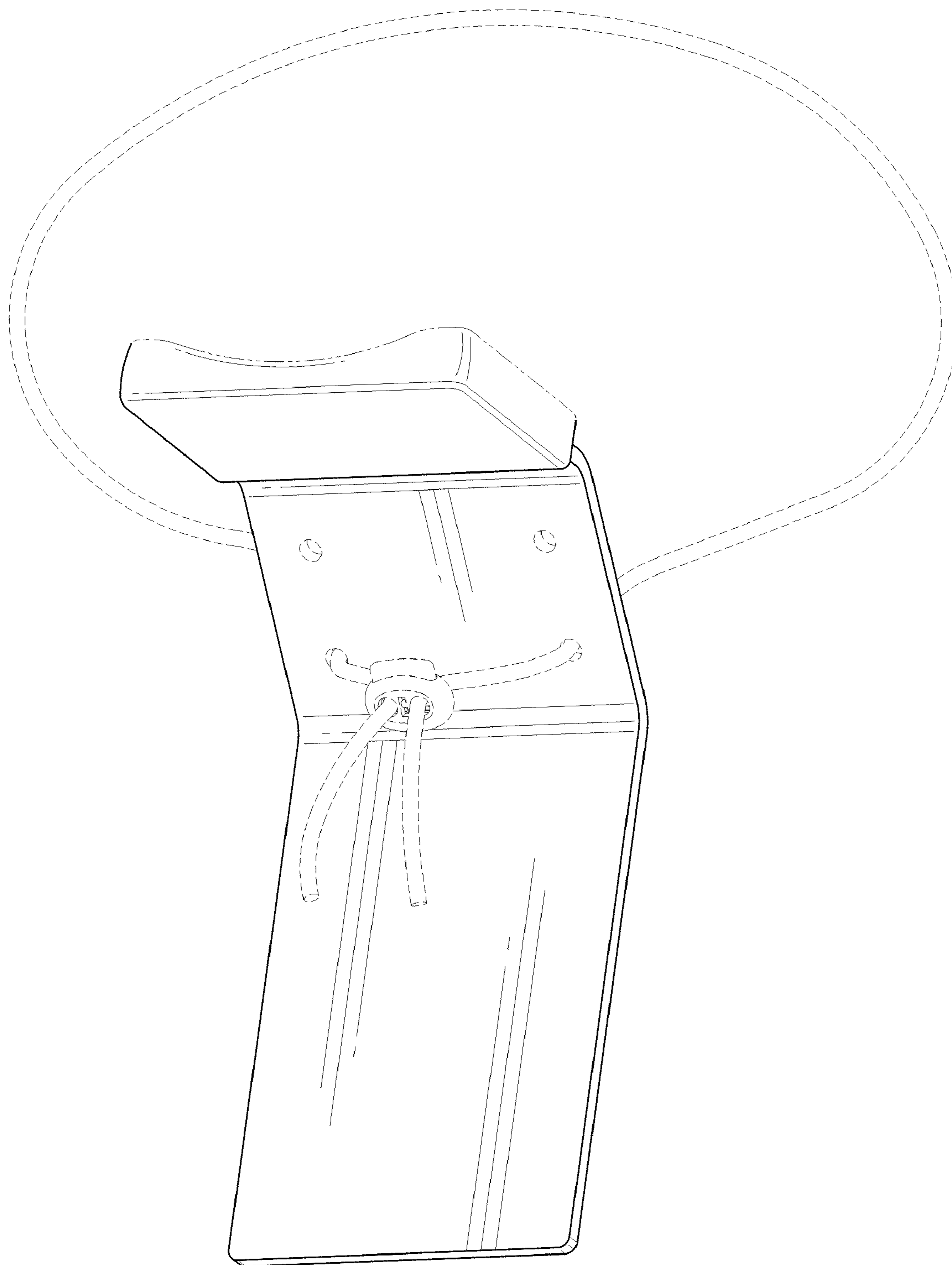


FIG. 25

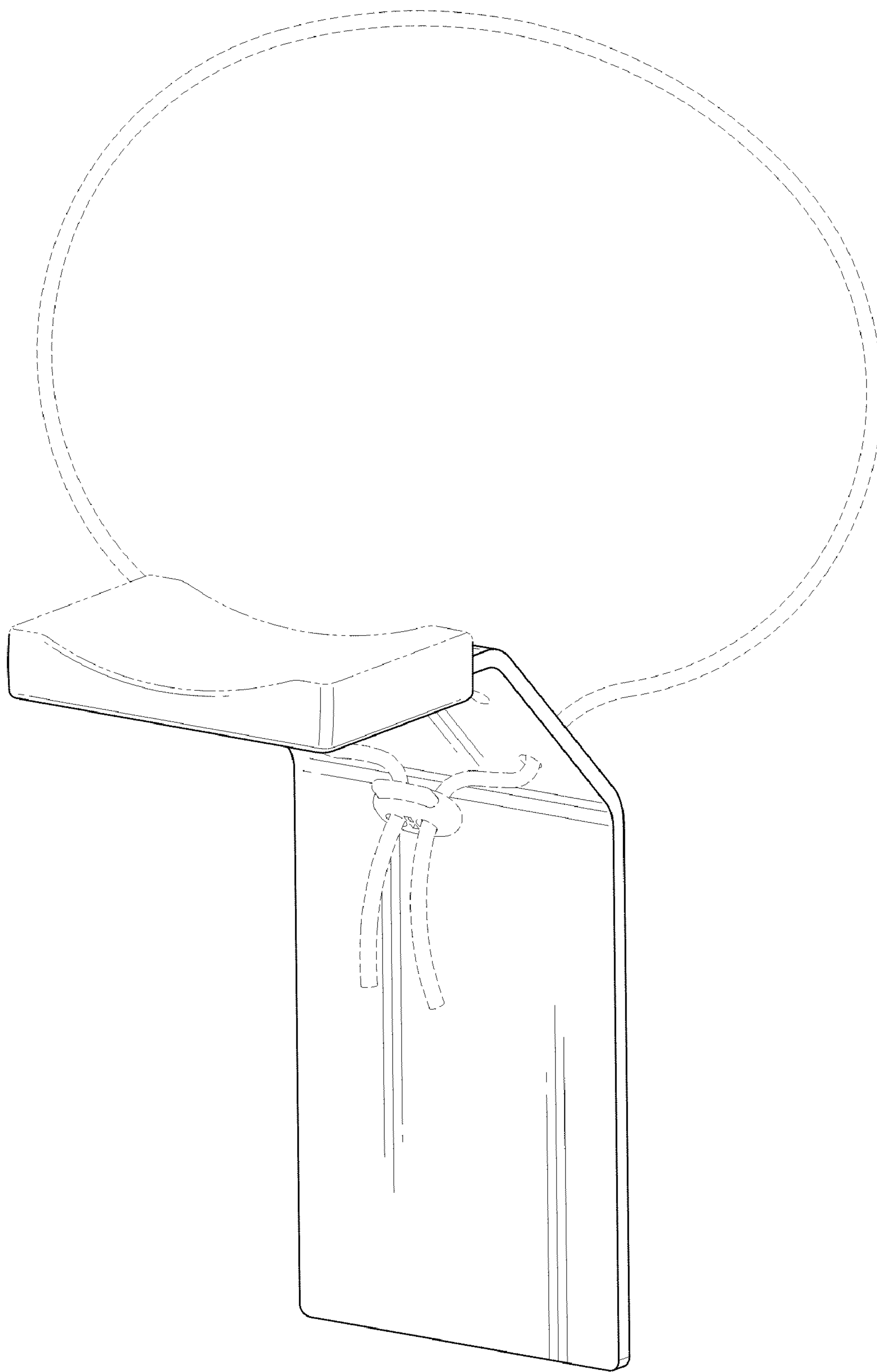


FIG. 26

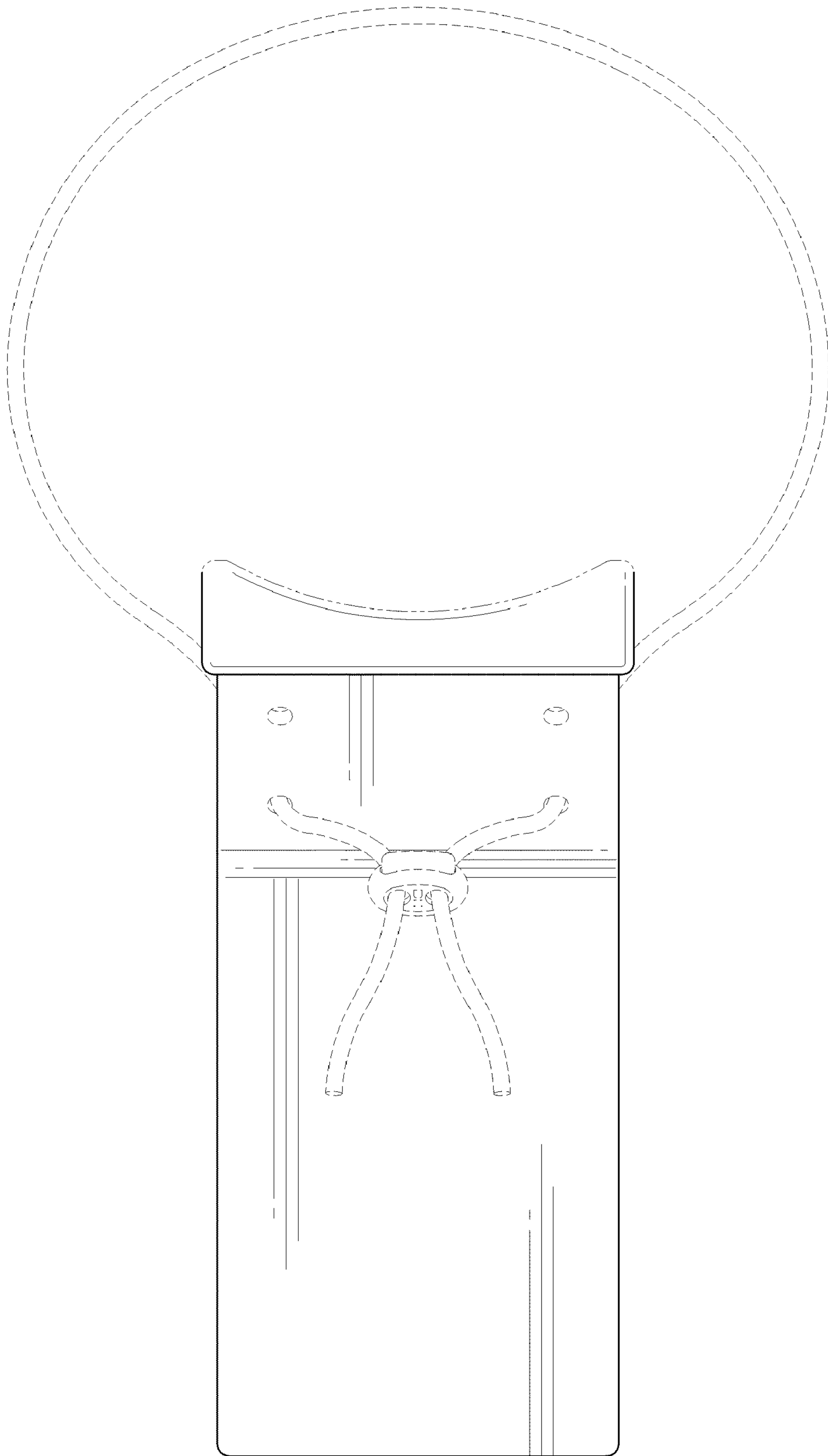


FIG. 27

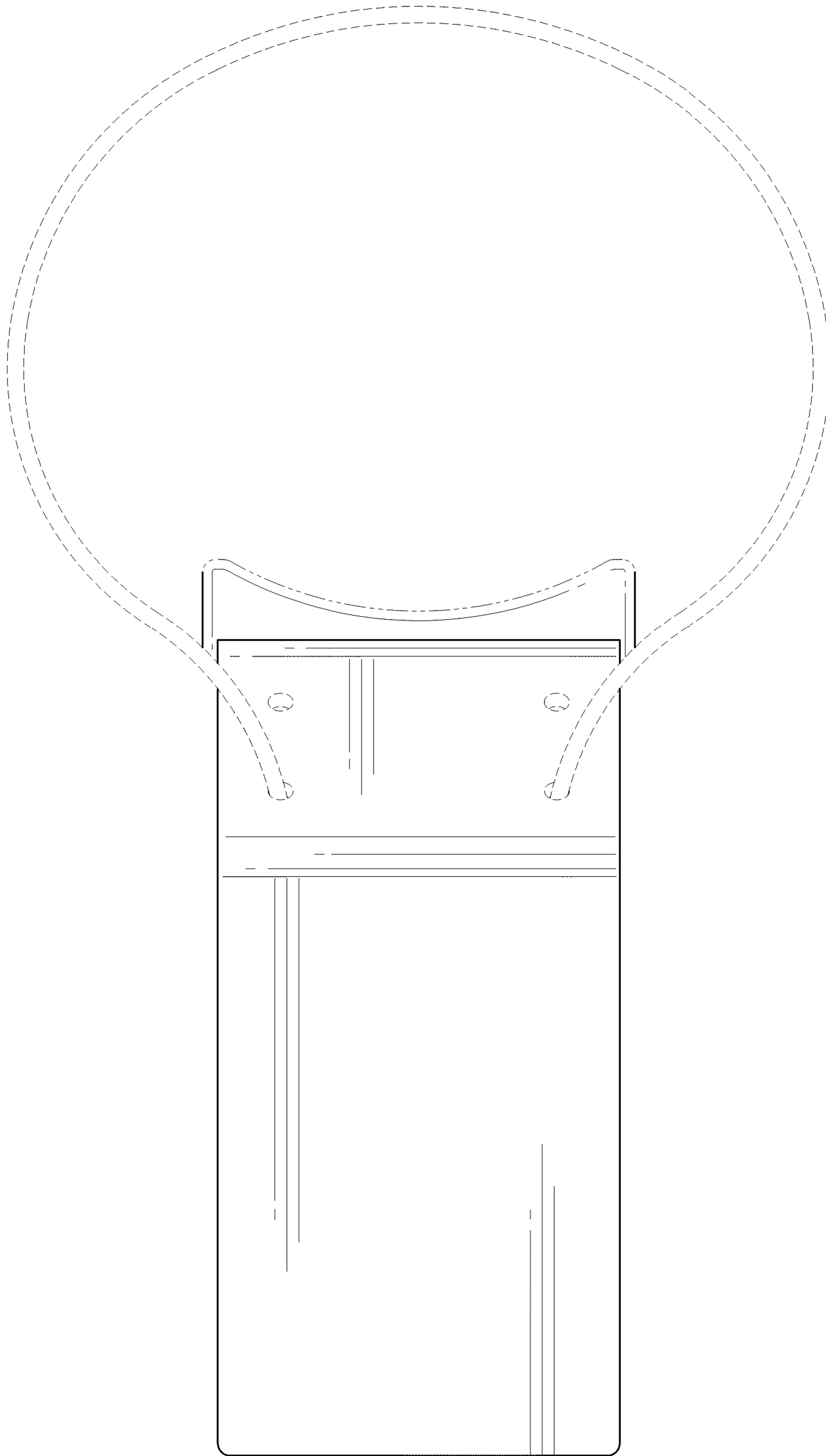


FIG. 28

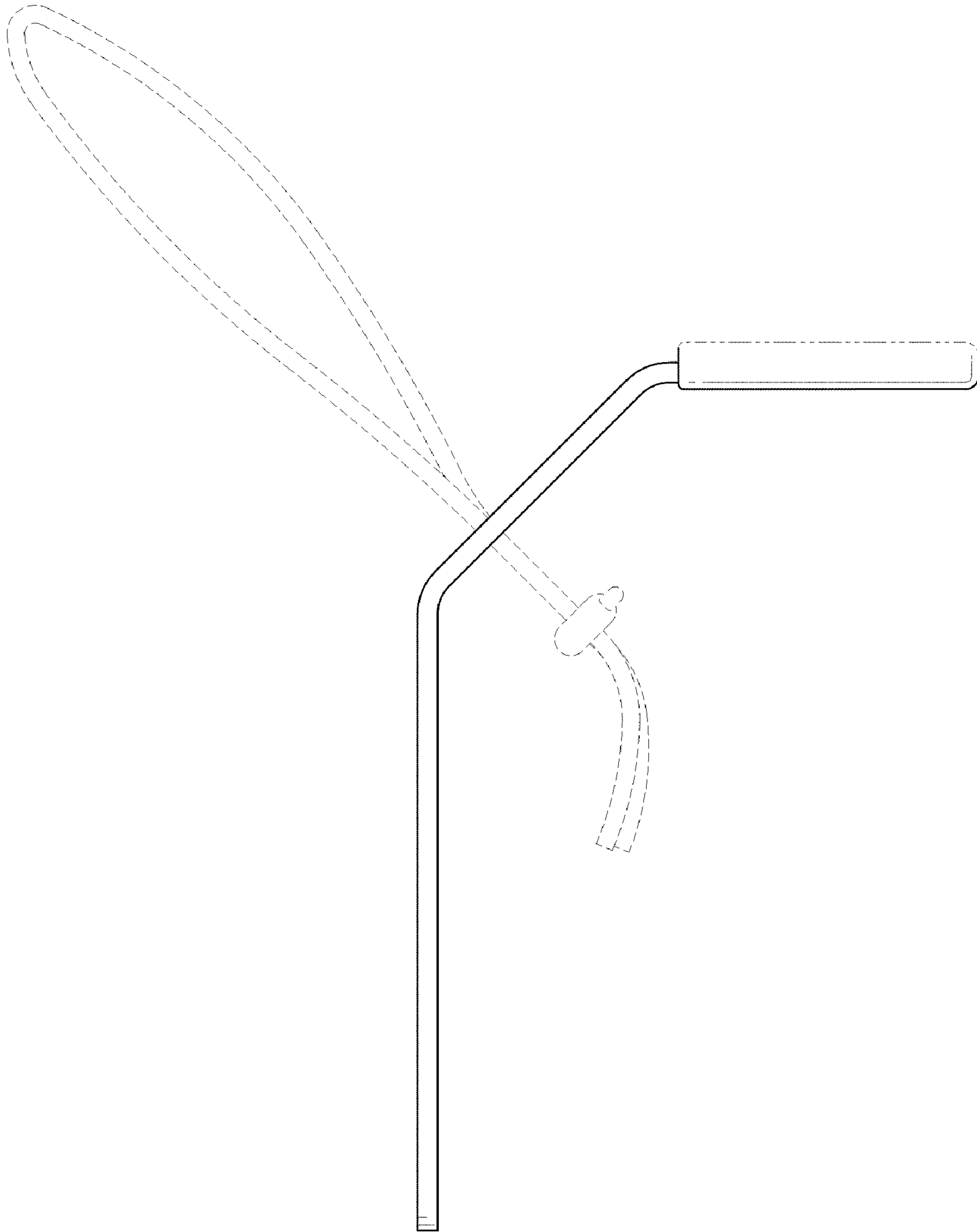


FIG. 29

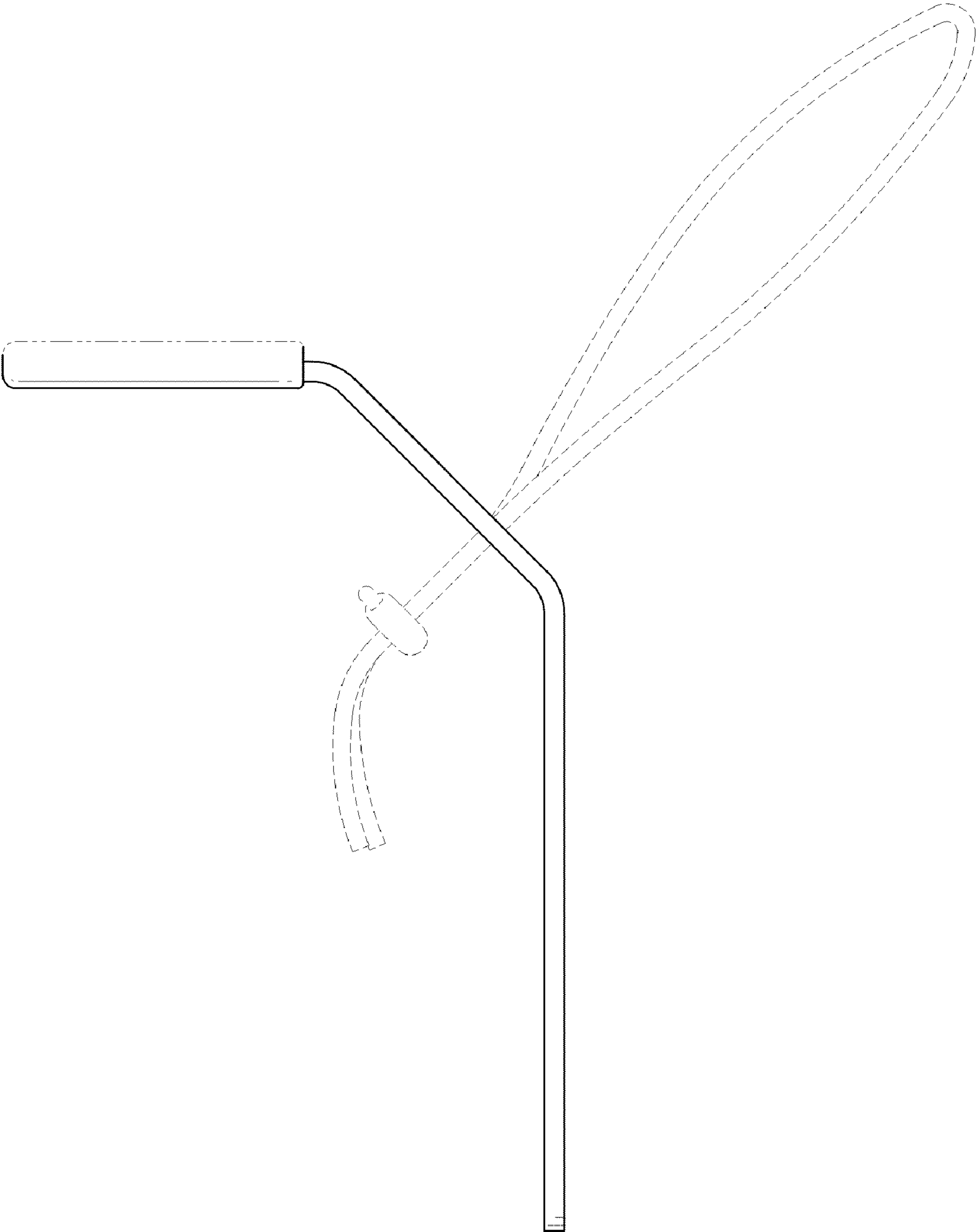


FIG. 30

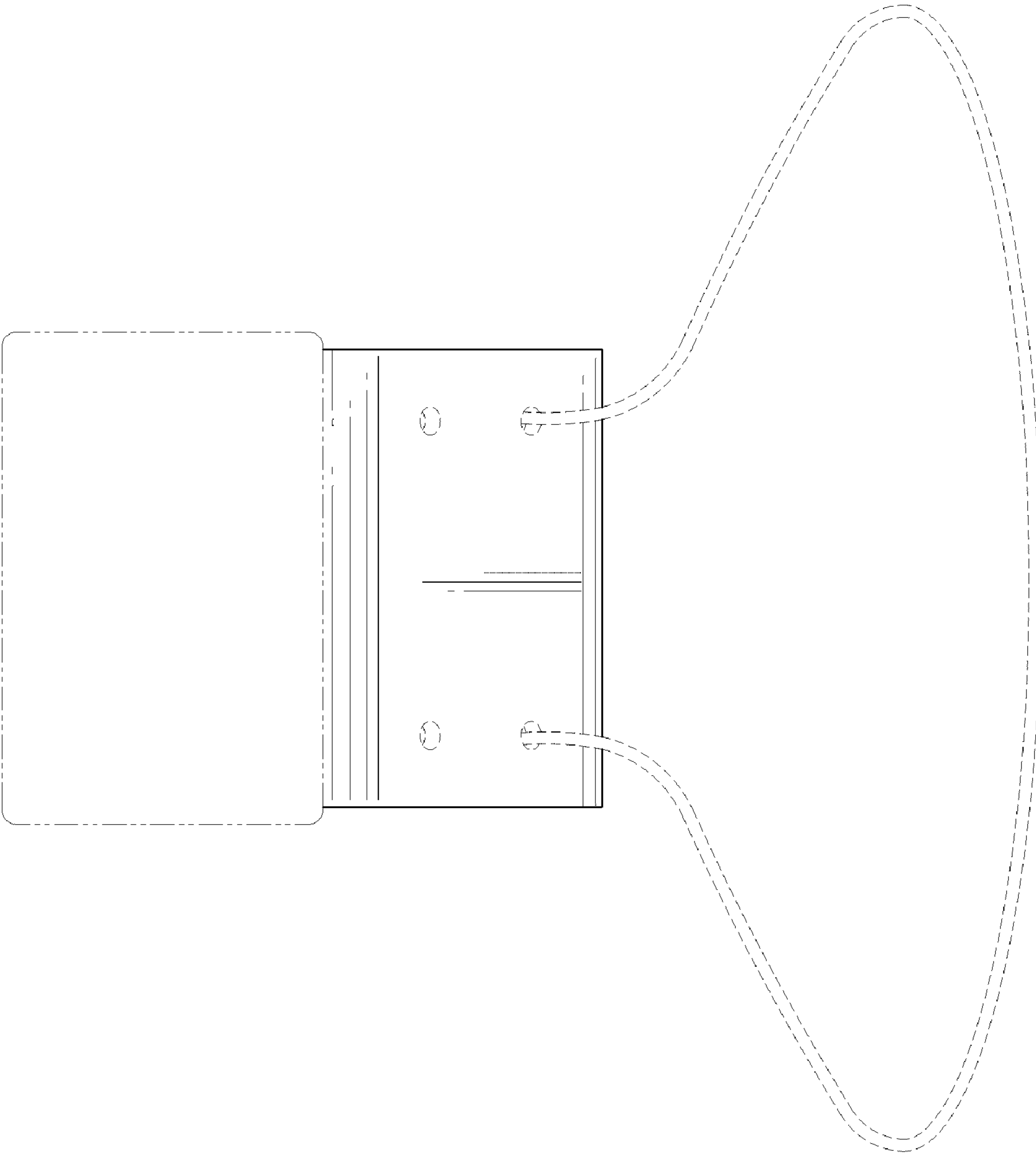


FIG. 31

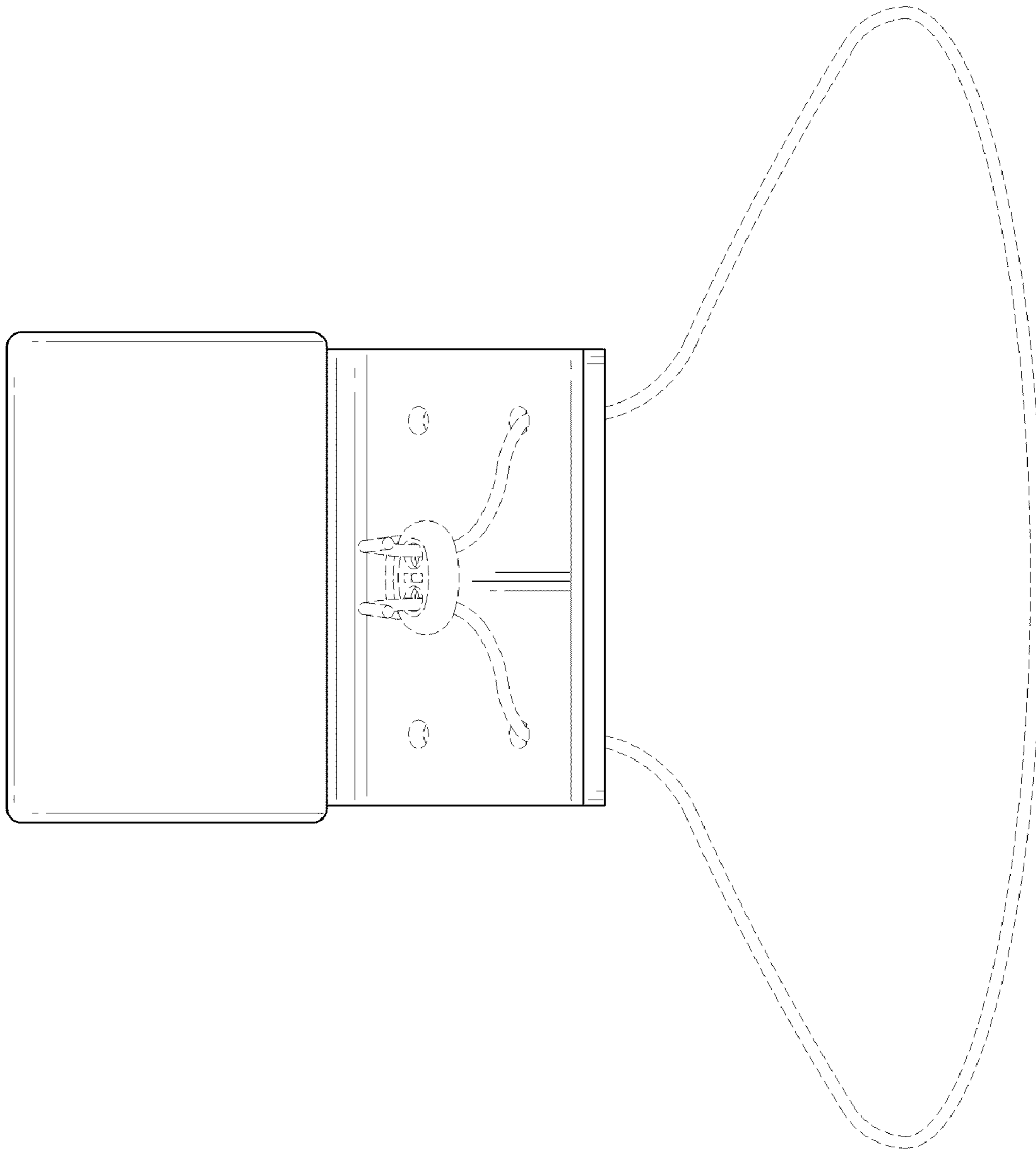


FIG. 32