



US00D645148S

(12) **United States Design Patent**  
**Ruf**

(10) **Patent No.:** **US D645,148 S**

(45) **Date of Patent:** **\*\* Sep. 13, 2011**

(54) **SAFETY LANCET**

(75) Inventor: **Christopher J. Ruf**, Marietta, GA (US)

(73) Assignee: **Facet Technologies, LLC**, Kennesaw, GA (US)

(\*\*) Term: **14 Years**

(21) Appl. No.: **29/378,923**

(22) Filed: **Nov. 11, 2010**

(51) **LOC (9) Cl.** ..... **24-02**

(52) **U.S. Cl.** ..... **D24/147**

(58) **Field of Classification Search** ..... D24/133,  
D24/130, 113, 114, 146-147; 600/385, 573,  
600/583; 606/167, 172, 181-185; 210/453  
See application file for complete search history.

(56) **References Cited**

**U.S. PATENT DOCUMENTS**

4,449,529	A	5/1984	Burns et al.	
4,616,649	A	10/1986	Burns	
4,624,253	A	11/1986	Burns	
5,106,379	A	4/1992	Leap	
D336,335	S *	6/1993	Poulsen	D24/147
5,356,420	A	10/1994	Czernecki et al.	
5,366,469	A	11/1994	Steg et al.	
5,397,334	A	3/1995	Schenk et al.	
5,421,347	A	6/1995	Enstrom	
5,439,473	A	8/1995	Jorgensen	

(Continued)

**FOREIGN PATENT DOCUMENTS**

WO 2006004664 A1 1/2006

**OTHER PUBLICATIONS**

Microtainer Contact-Activated Lancets; at least as early as Nov. 10, 2009.

(Continued)

*Primary Examiner* — Ian Simmons

*Assistant Examiner* — Carissa C Fitts

(74) *Attorney, Agent, or Firm* — Gardner Groff Greenwald & Villanueva, PC

(57) **CLAIM**

The ornamental design for a safety lancet, substantially as shown and described.

**DESCRIPTION**

FIG. 1 is a first perspective view of a safety lancet according to the design.

FIG. 2 is a second perspective view of the safety lancet of FIG. 1.

FIG. 3 is a first side view of the safety lancet of FIG. 1.

FIG. 4 is a second side view of the safety lancet of FIG. 1.

FIG. 5 is a first end view of the safety lancet of FIG. 1.

FIG. 6 is a second end view of the safety lancet of FIG. 1.

FIG. 7 is a top view of the safety lancet of FIG. 1.

FIG. 8 is a bottom view of the safety lancet of FIG. 1.

FIG. 9 is a first perspective view of the safety lancet of FIG. 1, in a second state having a cap portion removed.

FIG. 10 is a second perspective view of the safety lancet of FIG. 1 with the cap removed.

FIG. 11 is a first side view of the safety lancet of FIG. 1 with the cap removed.

FIG. 12 is a second side view of the safety lancet of FIG. 1 with the cap removed.

FIG. 13 is a first end view of the safety lancet of FIG. 1 with the cap removed.

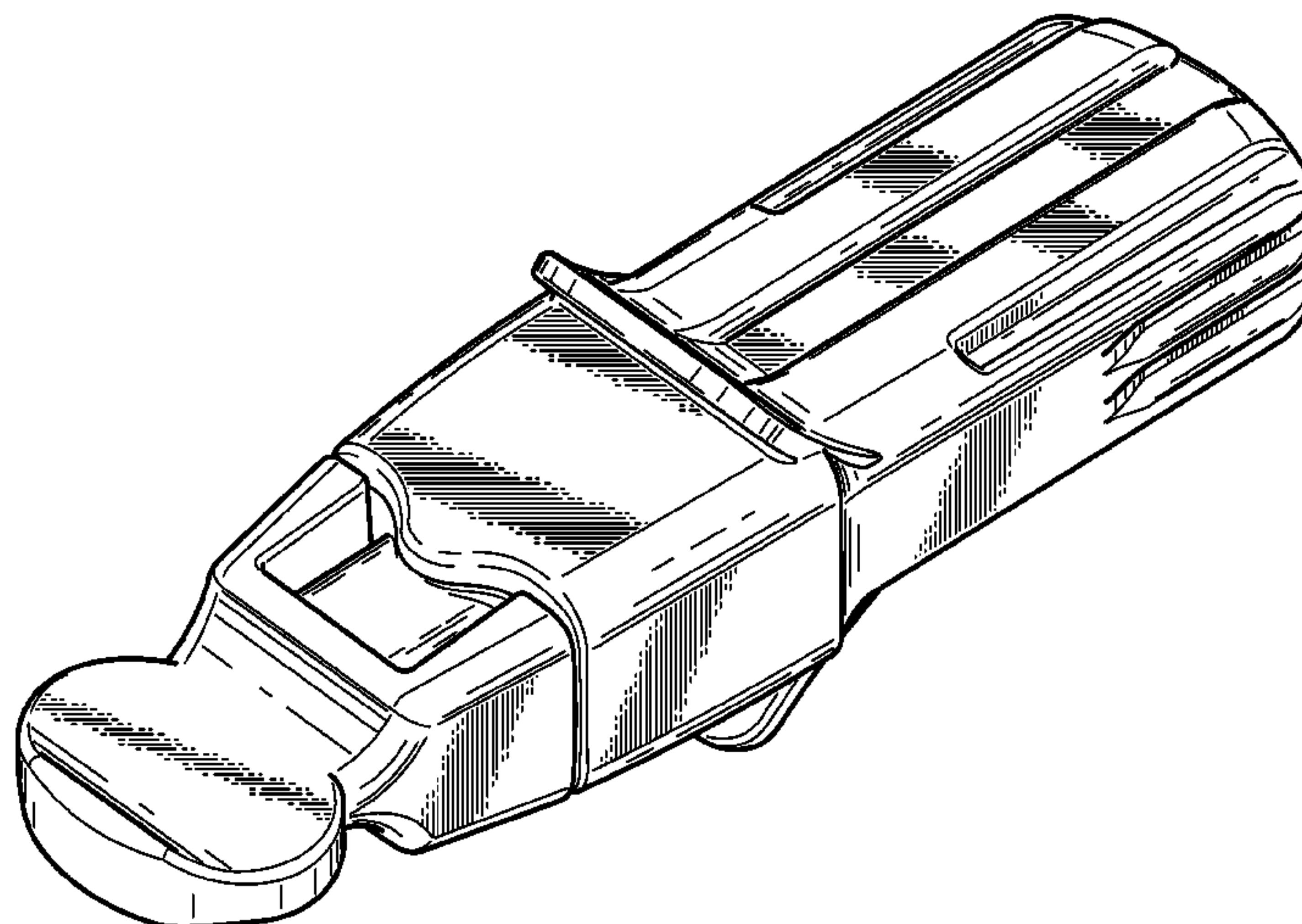
FIG. 14 is a second end view of the safety lancet of FIG. 1 with the cap removed.

FIG. 15 is a top view of the safety lancet of FIG. 1 with the cap removed; and,

FIG. 16 is a bottom view of the safety lancet of FIG. 1 with the cap removed.

Portions shown in broken lines are for illustrative purposes only and form no part of the claimed design.

**1 Claim, 10 Drawing Sheets**



U.S. PATENT DOCUMENTS

D374,284	S	*	10/1996	Stone et al.	.....	D24/145
D374,285	S	*	10/1996	DeFonzo et al.	.....	D24/145
D376,649	S	*	12/1996	Kim	.....	D24/147
5,628,765	A		5/1997	Morita		
5,954,738	A	*	9/1999	LeVaughn et al.	.....	606/181
6,248,120	B1		6/2001	Wyszogrodzki		
6,613,064	B2		9/2003	Rutynowski et al.		
6,997,936	B2		2/2006	Marshall		
7,322,997	B2		1/2008	Shi		
7,357,808	B2		4/2008	Kennedy		
D621,044	S	*	8/2010	Trissel et al.	.....	D24/147
D628,293	S	*	11/2010	Ruf	.....	D24/146
2006/0052809	A1		3/2006	Karbowniczek et al.		
2008/0082117	A1	*	4/2008	Ruf	.....	606/182

OTHER PUBLICATIONS

Medlance Plus Lancets; at least as early as Nov. 10, 2009.  
 Medlance Lancets; at least as early as Nov. 10, 2009.  
 Safe-T Pro Lancet; at least as early as Nov. 10, 2009.  
 Acti-Lance Lancets; at least as early as Nov. 10, 2009.  
 MediSafe SOLO Lancet; at least as early as Nov. 10, 2009.  
 Safe-T-Pro Uno Lancet; at least as early as Nov. 10, 2009.  
 Haemolance Plus Lancets; at least as early as Nov. 10, 2009.  
 Haemolance Lancets; at least as early as Nov. 10, 2009.  
 Prolance Lancets; at least as early as Nov. 10, 2009.  
 Unistik 2 Lancets; at least as early as Nov. 10, 2009.  
 Unistik 3 Lancets; at least as early as Nov. 10, 2009.  
 Surgilance Safety Lancets; at least as early as Nov. 10, 2009.  
 Safe-T-Pro Plus Lancet; at least as early as Nov. 10, 2009.

Single-Let Lancet; at least as early as Nov. 10, 2009.  
 Carelet Lancets; at least as early as Nov. 10, 2009.  
 BD Safety Flow Lancets; at least as early as Nov. 10, 2009.  
 EZ-Lance Lancets; at least as early as Nov. 10, 2009.  
 Monolettor Safety Lancets; at least as early as Nov. 10, 2009.  
 SteriLance PA Lancets; at least as early as Nov. 10, 2009.  
 SteriLance AD Lancets; at least as early as Nov. 10, 2009.  
 SteriLance BA Lancets; at least as early as Nov. 10, 2009.  
 Safelance Lancets; at least as early as Nov. 10, 2009.  
 Fingerpit Lancet; at least as early as Nov. 10, 2009.  
 Misawa Lancet; at least as early as Nov. 10, 2009.  
 Bullseye Safety Lancets; at least as early as Nov. 10, 2009.  
 Al-Pit Lancet; at least as early as Nov. 10, 2009.  
 Stat-Let Auto Lancets; at least as early as Nov. 10, 2009.  
 Auto Lancets; at least as early as Nov. 10, 2009.  
 Gentle-let 1 Lancet; at least as early as Nov. 10, 2009.  
 Single Stick Lancet; at least as early as Nov. 10, 2009.  
 Simplet Lancet; at least as early as Nov. 10, 2009.  
 EZ-Let Lancets; at least as early as Nov. 10, 2009.  
 Lite-Stik Safety Lancet; at least as early as Nov. 10, 2009.  
 Safelet Lancet; at least as early as Nov. 10, 2009.  
 Worldlet Lancet; at least as early as Nov. 10, 2009.  
 FUTUMEDS Safety Lancet; at least as early as Nov. 10, 2009.  
 Medsun Safety Lancet; at least as early as Nov. 10, 2009.  
 Ningbo Medsun Medical; at least as early as Nov. 10, 2009.  
 Suzhou Zhenwu Medical Sutures & Suture Needles; at least as early as Nov. 10, 2009.

\* cited by examiner



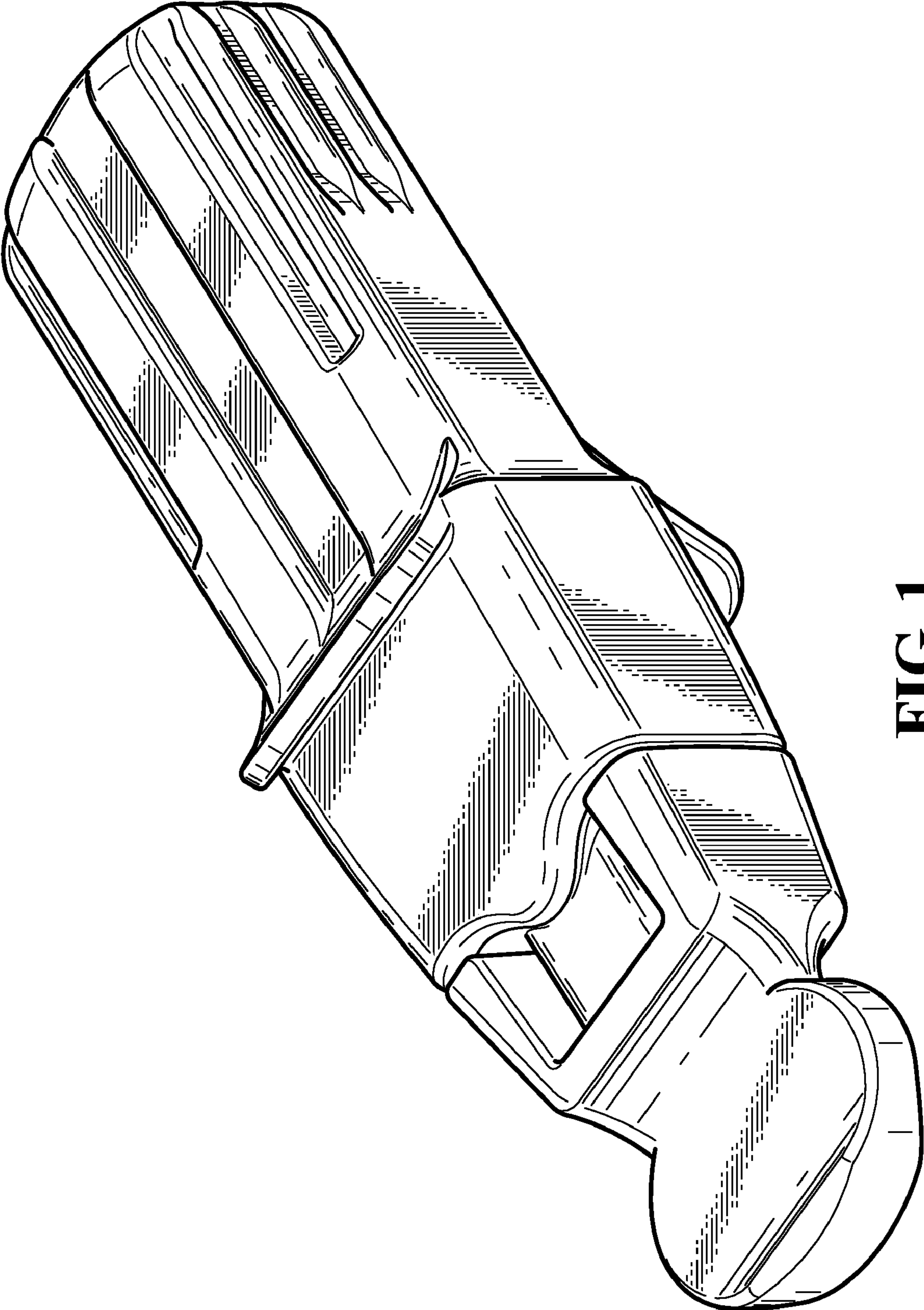
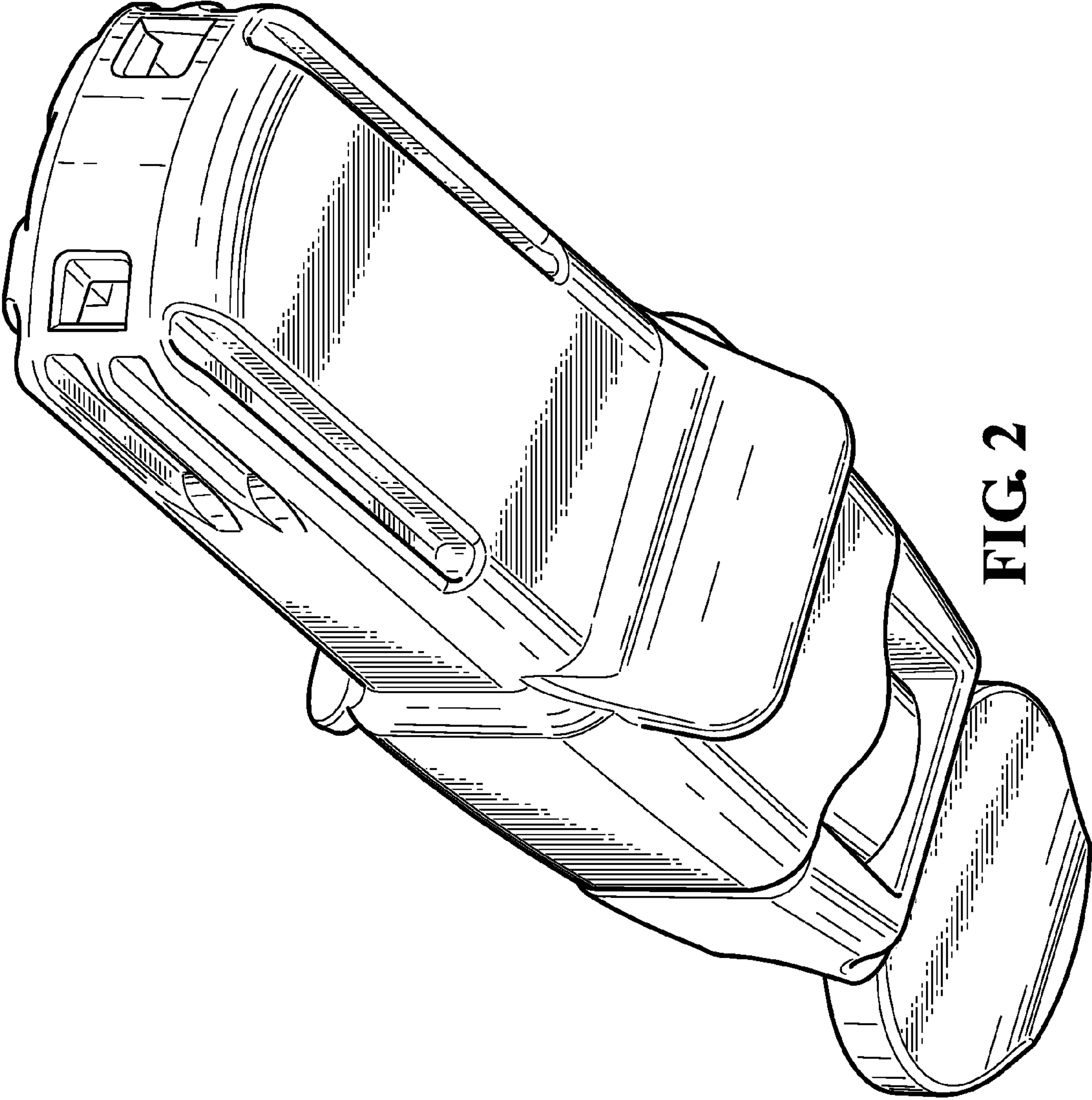


FIG. 1



**FIG. 2**

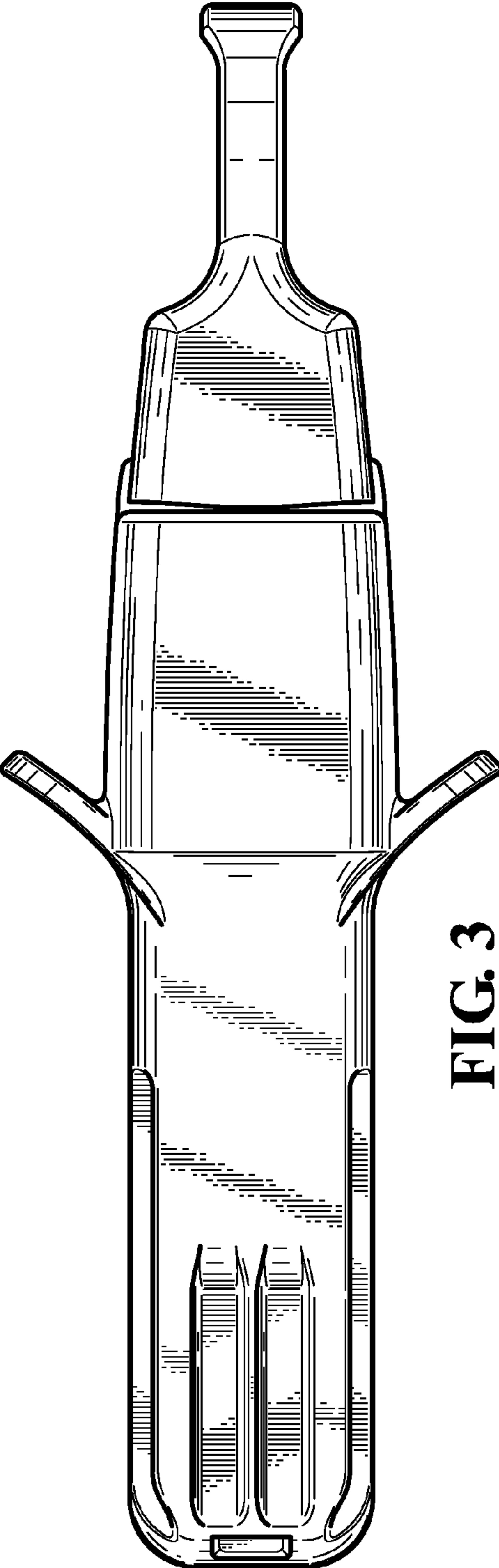


FIG. 3

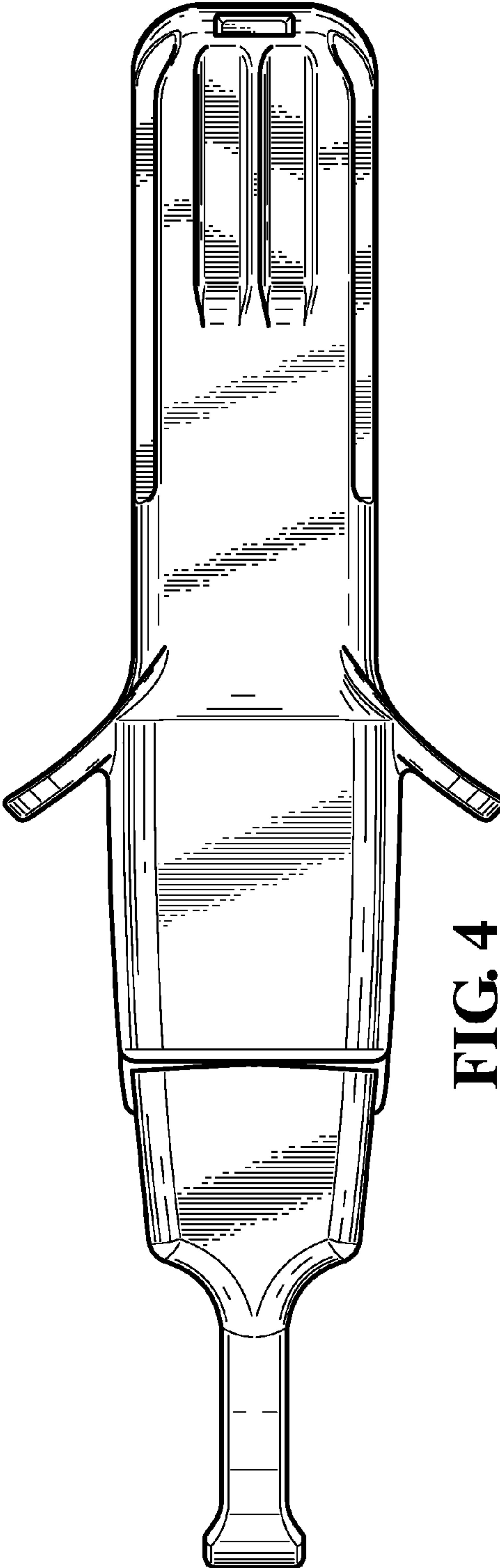
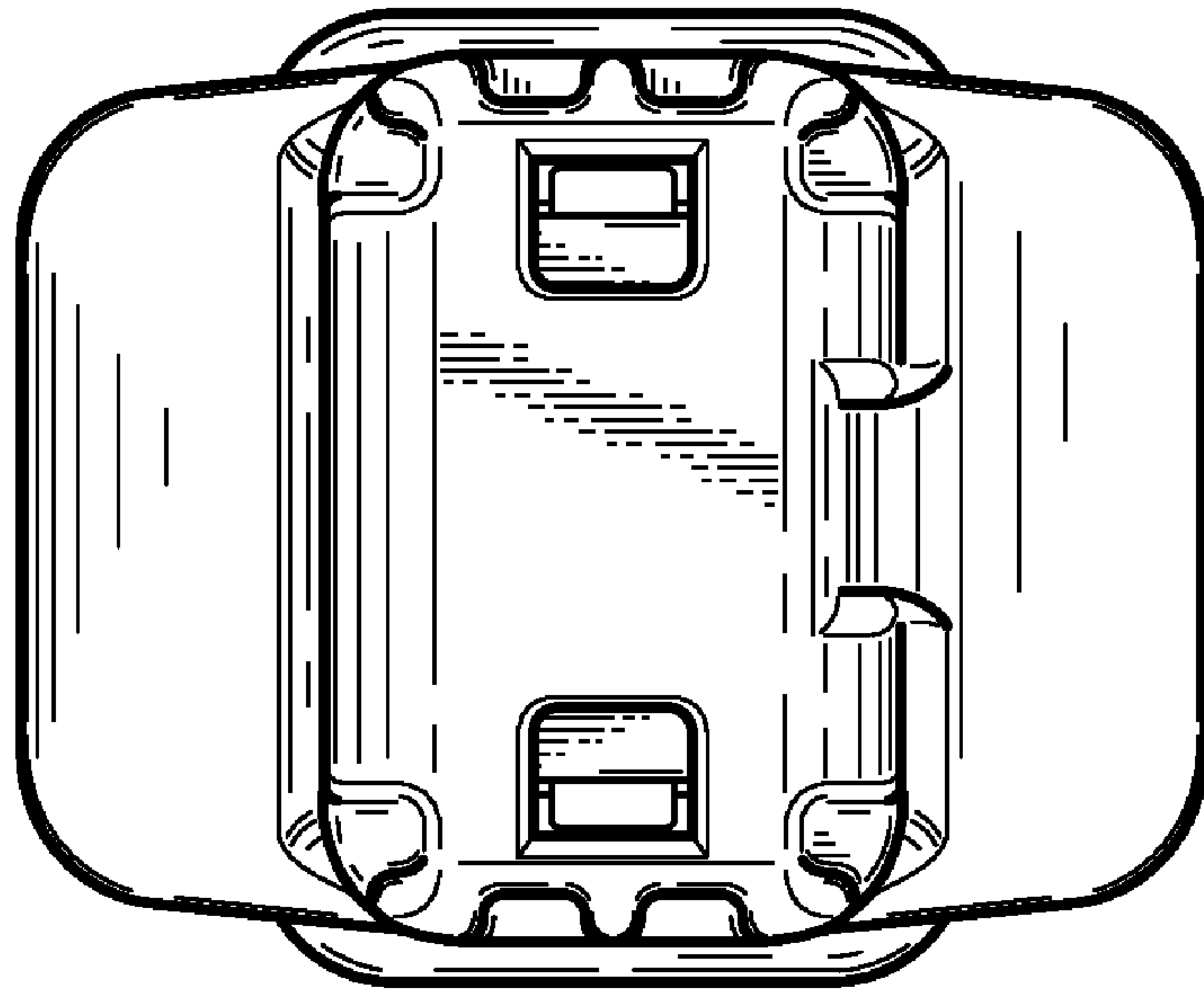
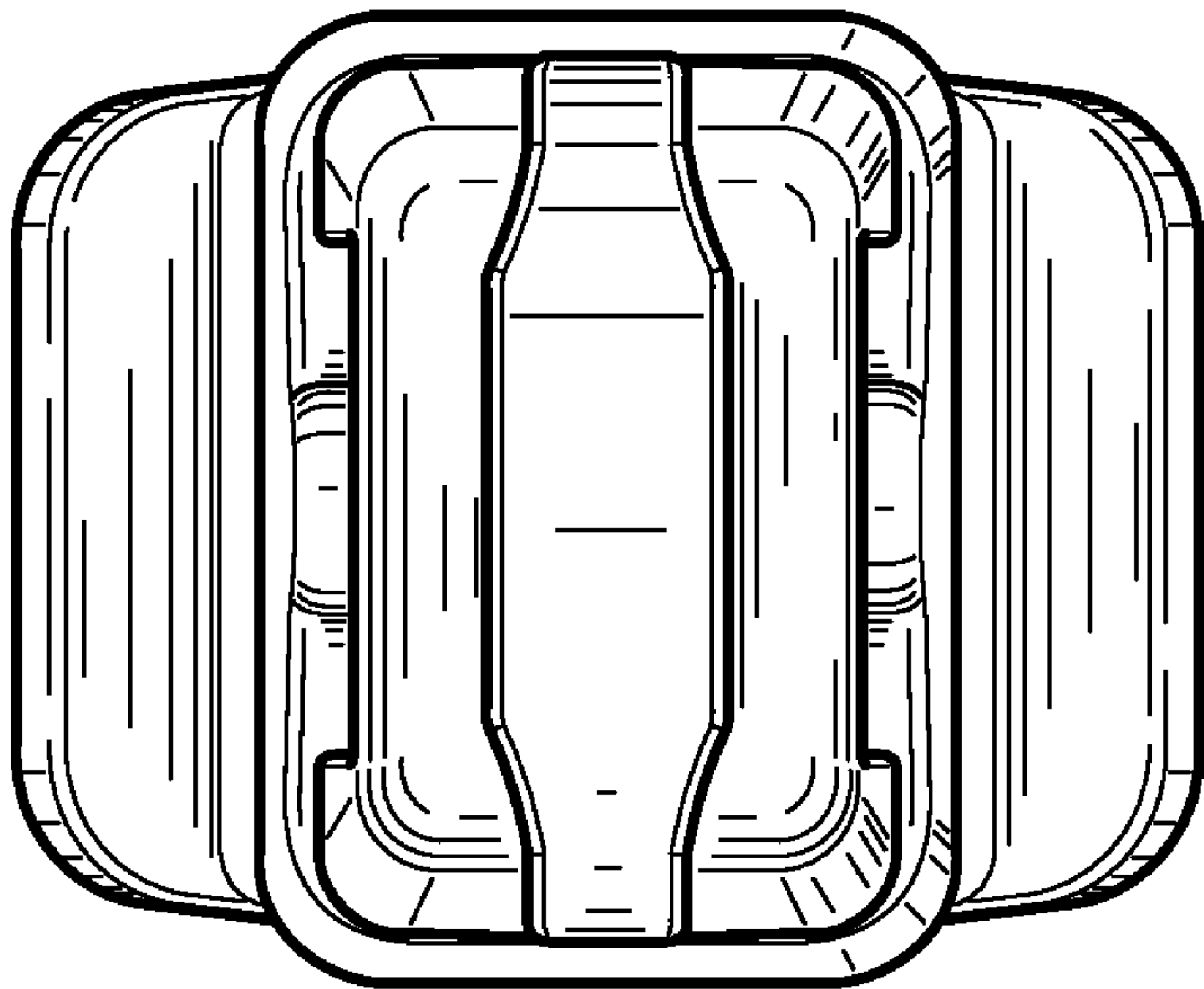


FIG. 4



**FIG. 6**



**FIG. 5**

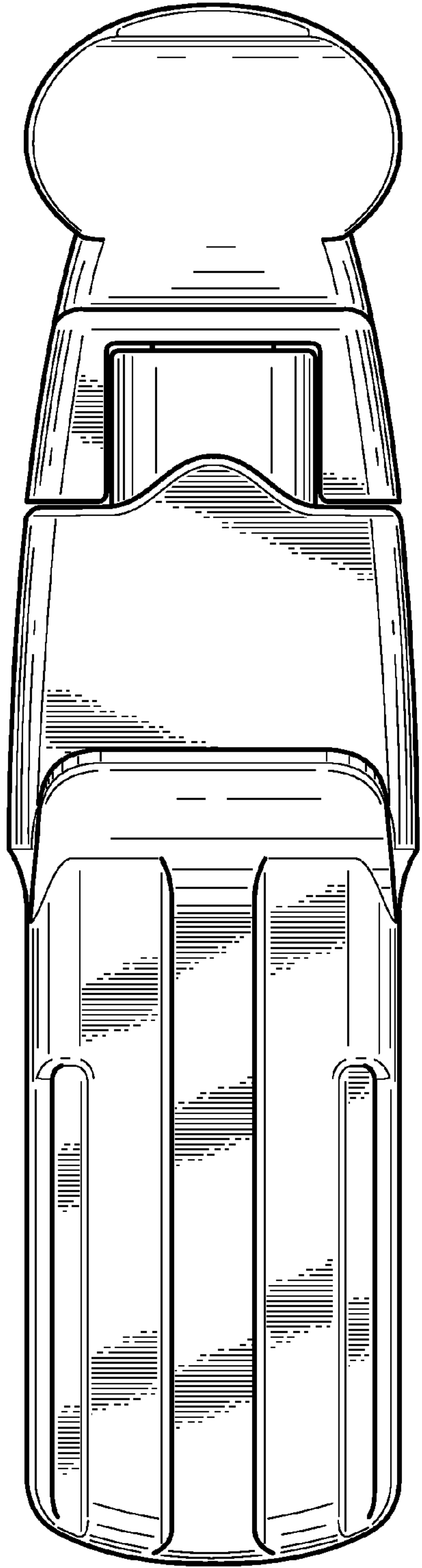


FIG. 7

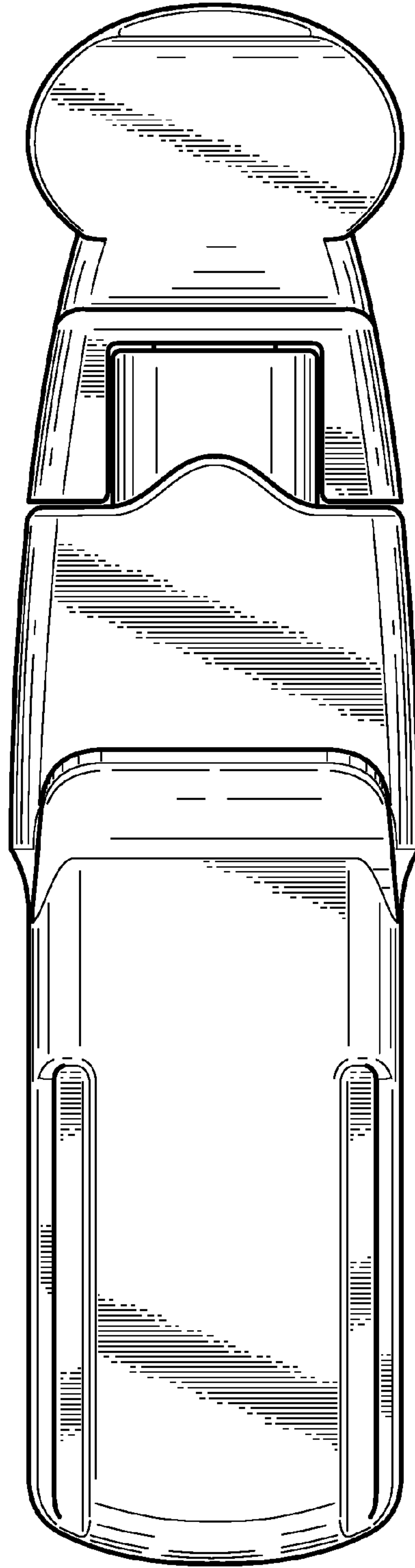


FIG. 8



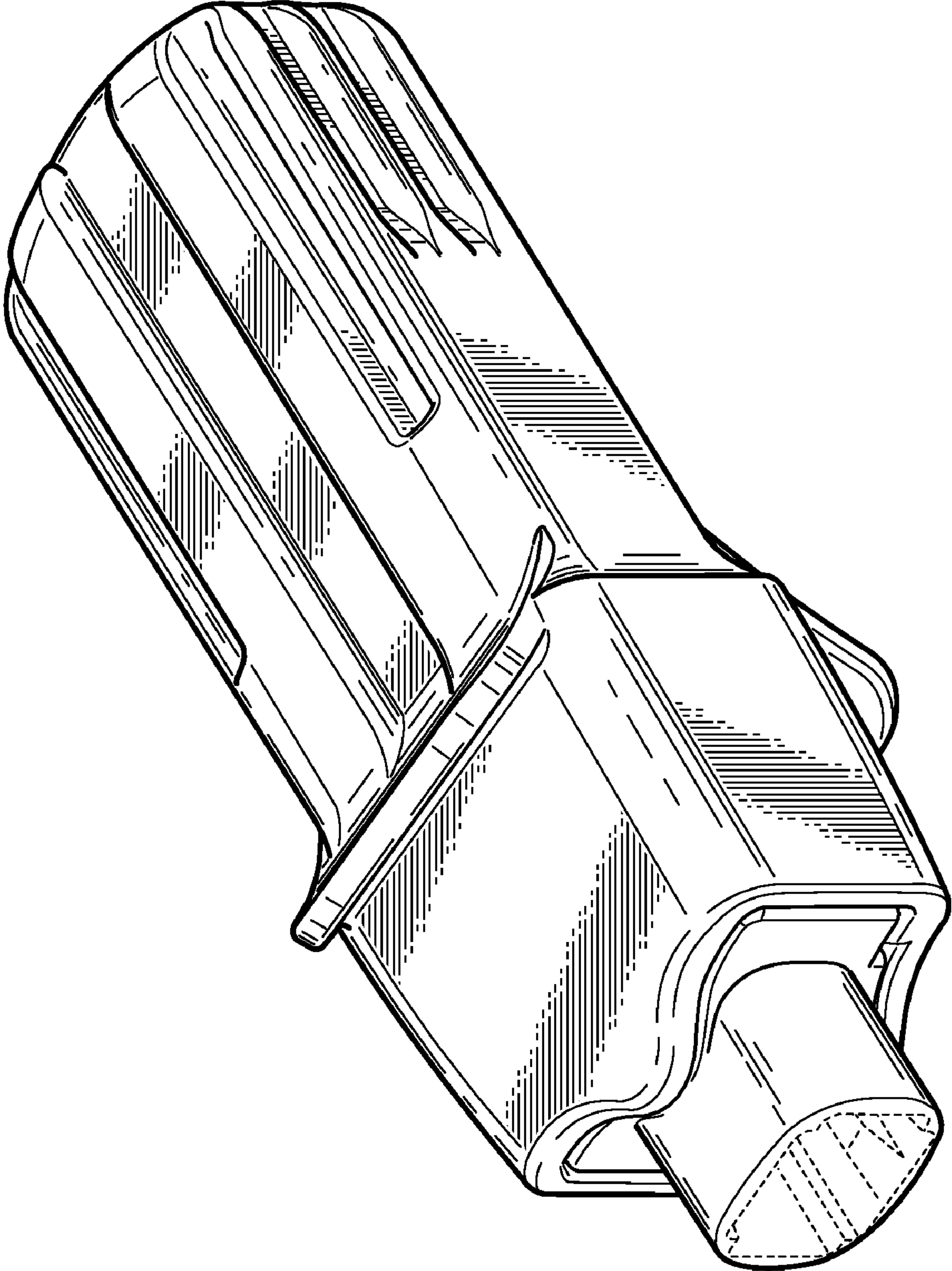
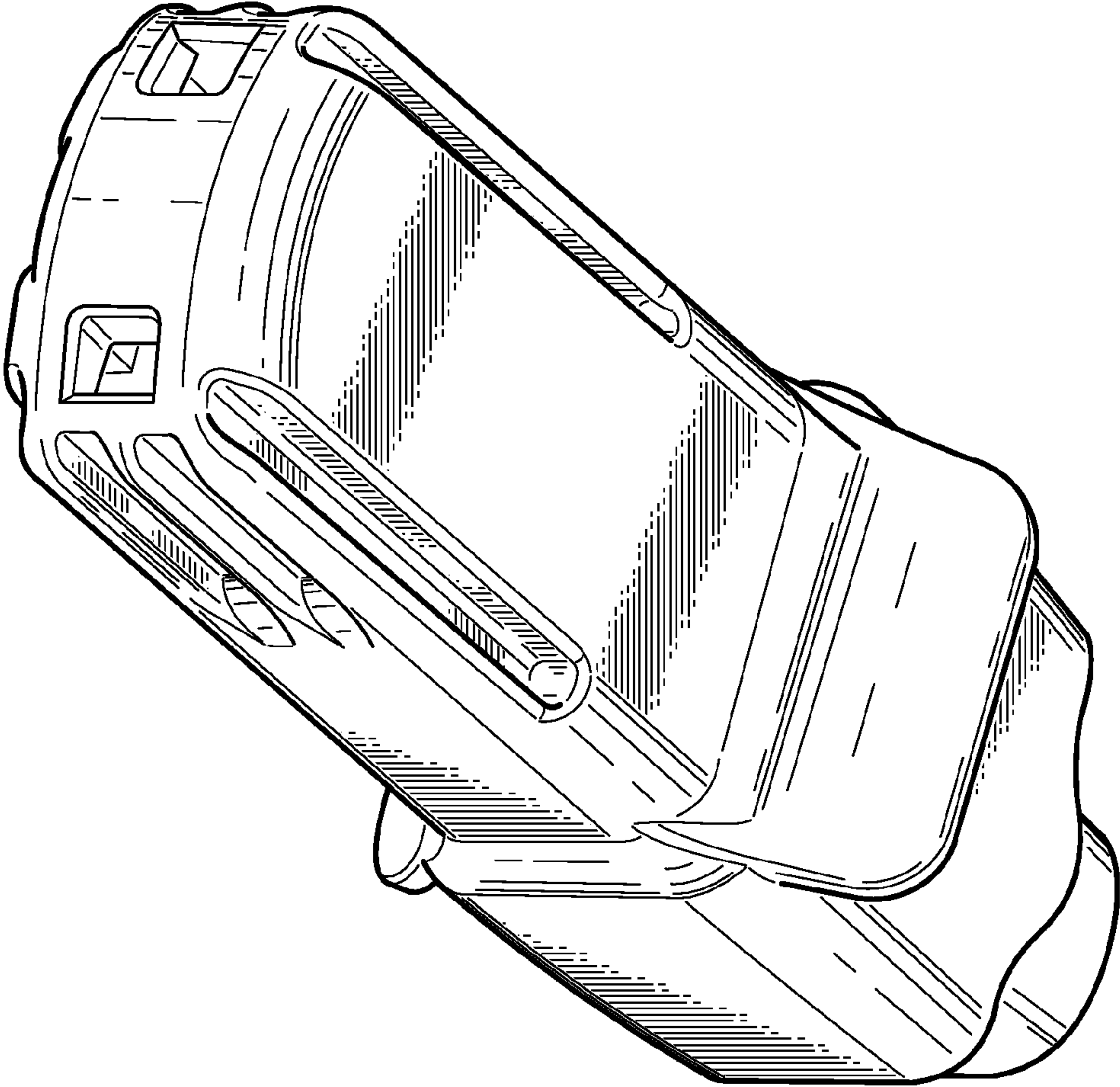


FIG. 9





**FIG. 10**

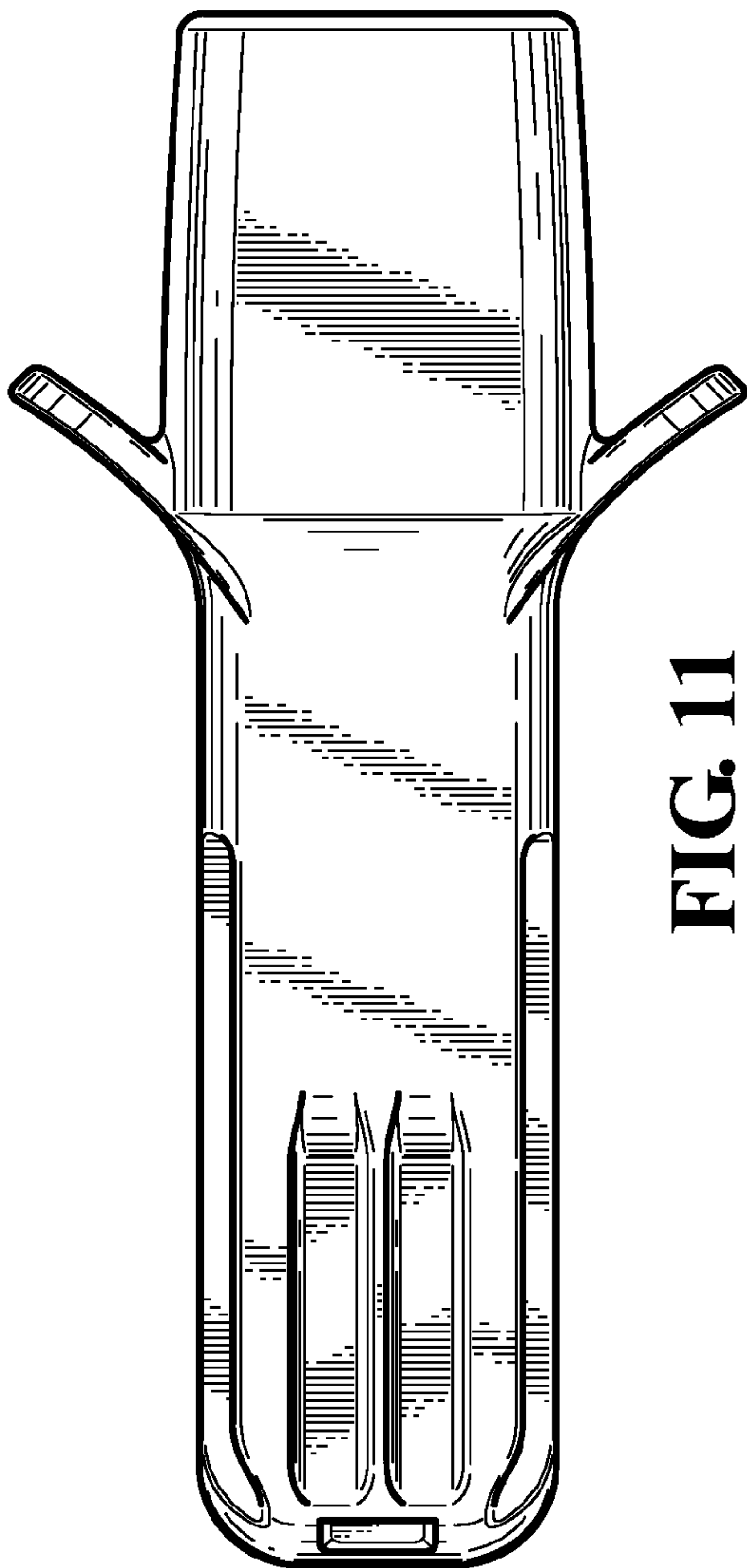


FIG. 11

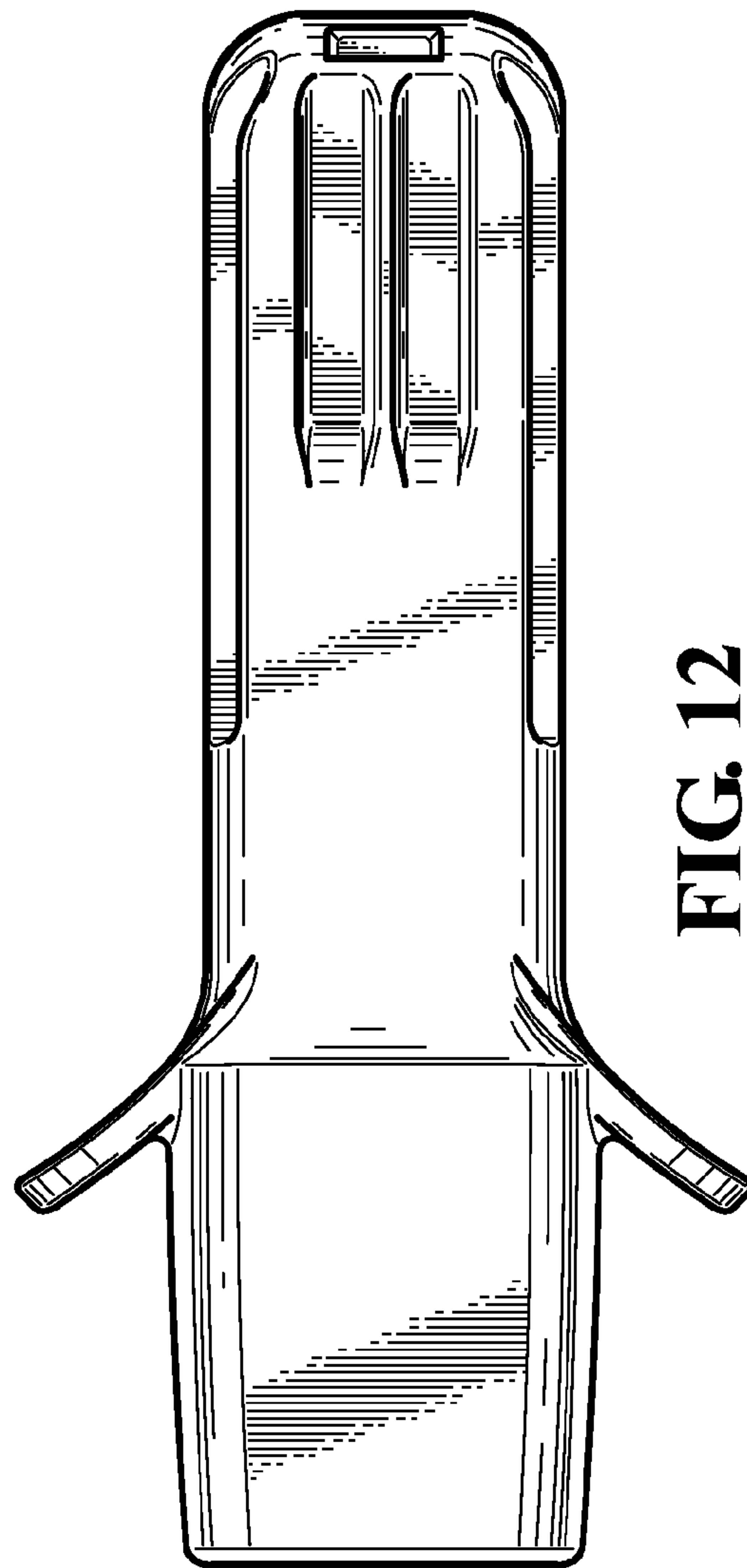
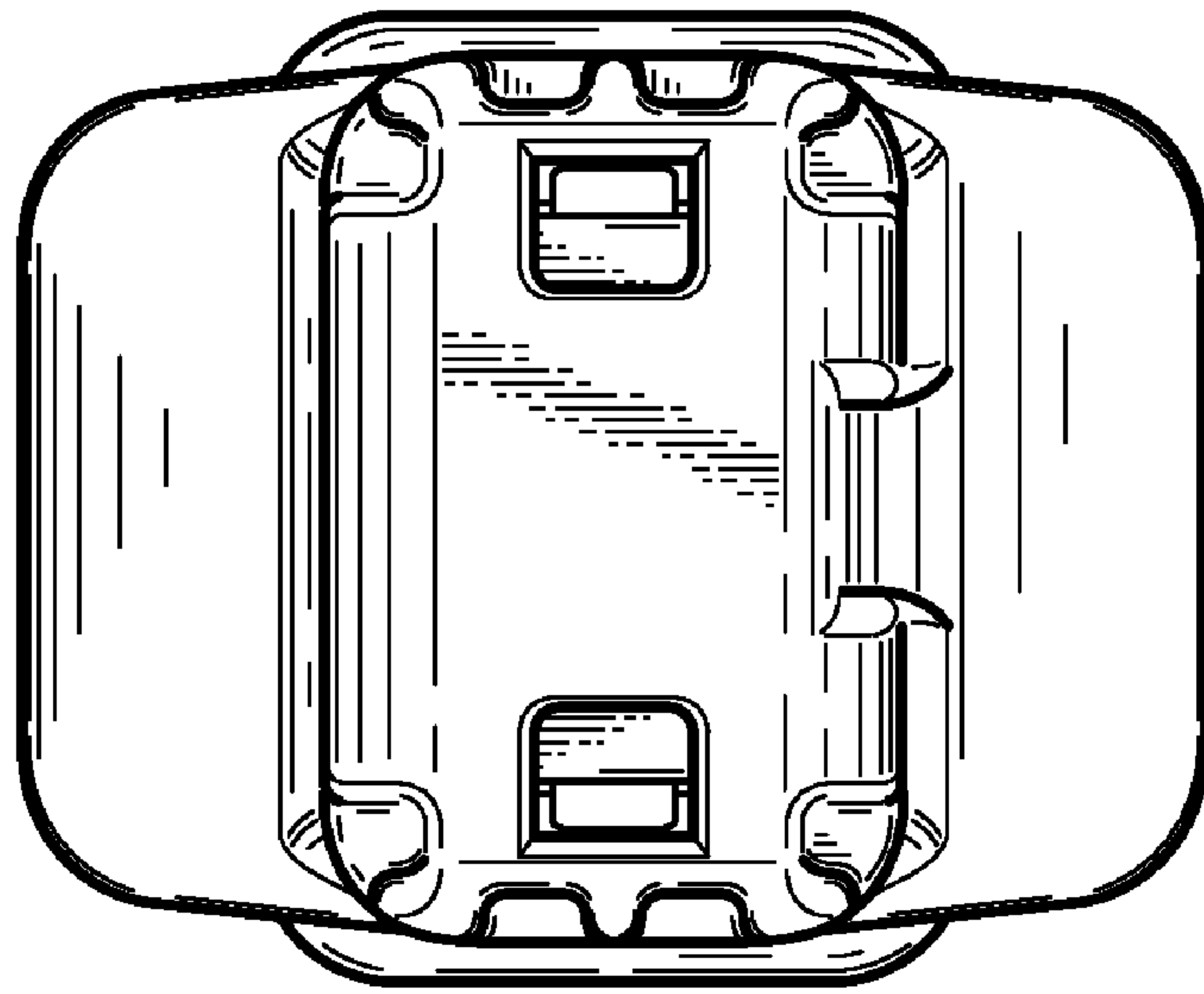
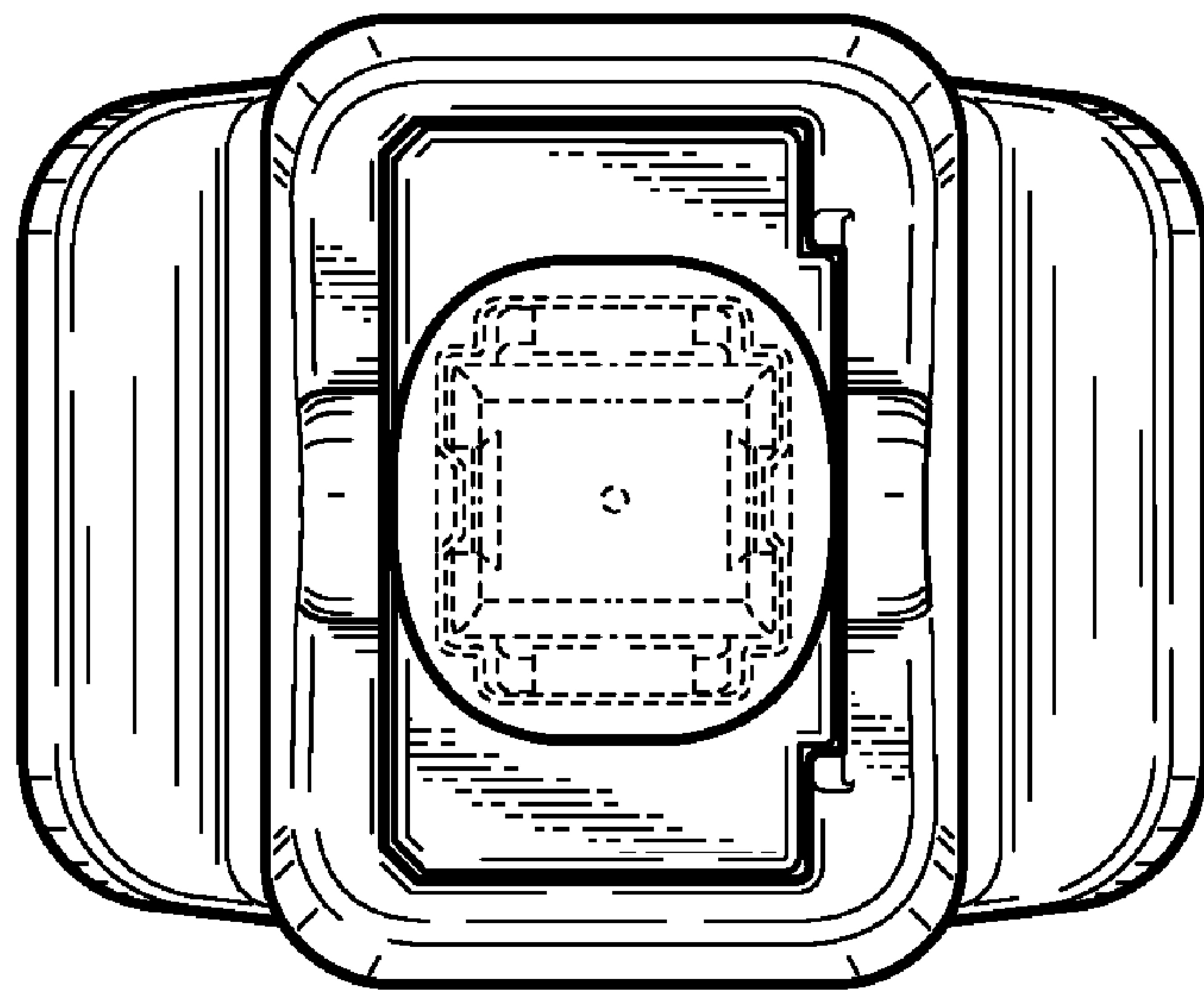


FIG. 12



**FIG. 14**



**FIG. 13**

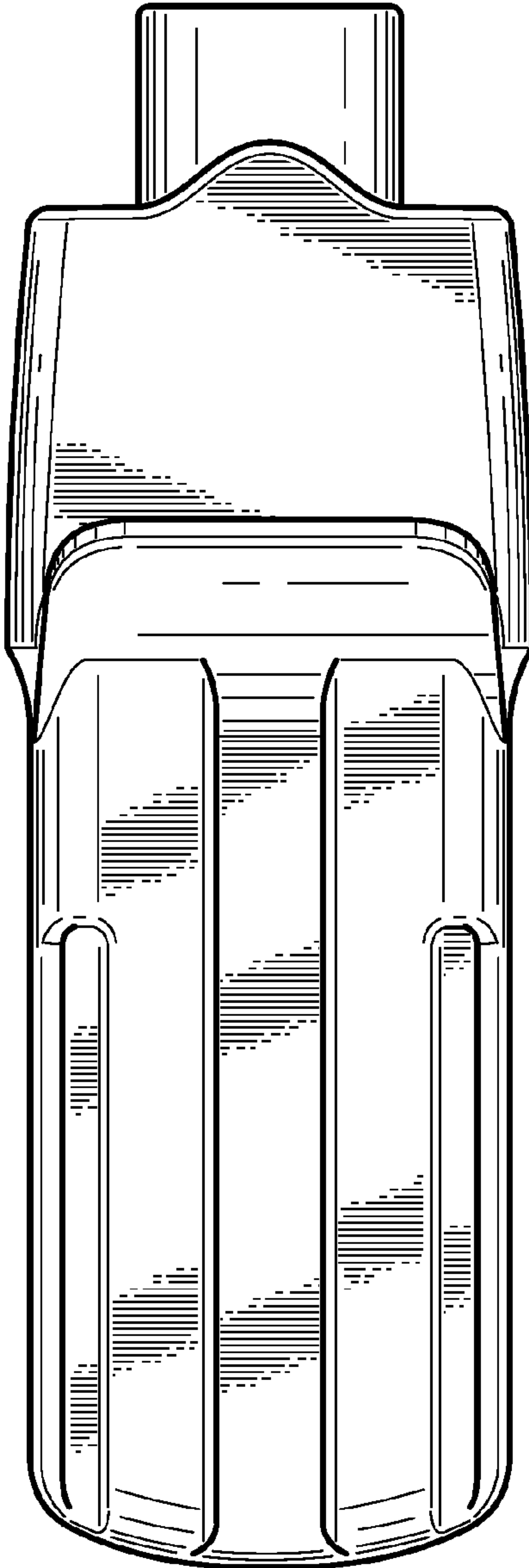


FIG. 15

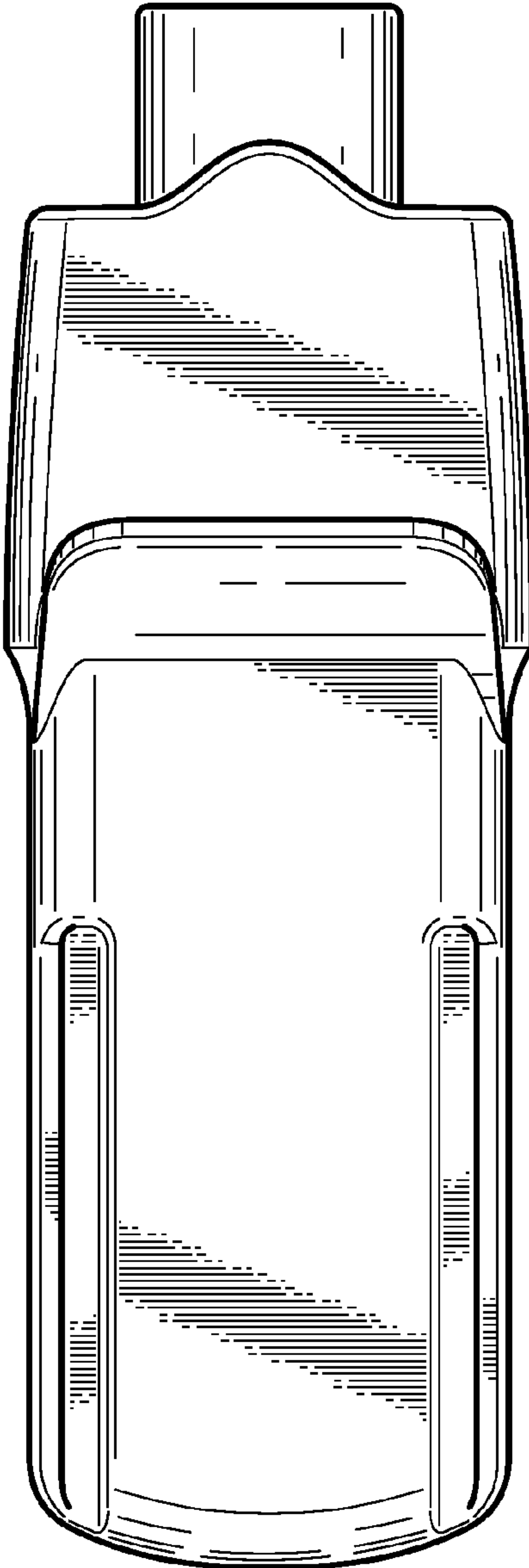


FIG. 16