



US00D645146S

(12) **United States Design Patent**
Lee

(10) **Patent No.:** **US D645,146 S**

(45) **Date of Patent:** **** Sep. 13, 2011**

(54) **LARYNGOSCOPE BLADE**

(75) Inventor: **Cho-Lun Lee**, Taipei County (TW)

(73) Assignee: **Cho-Lun Lee**, Taipei County (TW)

(**) Term: **14 Years**

(21) Appl. No.: **29/382,344**

(22) Filed: **Jan. 3, 2011**

(51) **LOC (9) Cl.** **24-02**

(52) **U.S. Cl.** **D24/137**

(58) **Field of Classification Search** D24/137,
D24/138, 133, 135, 136; 600/185-199, 184,
600/200; 606/196, 191-195, 197-200

See application file for complete search history.

(56) **References Cited**

U.S. PATENT DOCUMENTS

D271,135	S	*	10/1983	Greenblatt	D24/138
D337,384	S	*	7/1993	Schucman	D24/138
6,354,993	B1	*	3/2002	Kaplan et al.	600/188
6,890,298	B2	*	5/2005	Berci et al.	600/185
D512,778	S	*	12/2005	Ashraf	D24/138
D581,532	S	*	11/2008	Cranton et al.	D24/137

D608,889	S	*	1/2010	Tenger et al.	D24/137
D609,808	S	*	2/2010	Tenger et al.	D24/137
D630,739	S	*	1/2011	Tenger et al.	D24/137
D631,158	S	*	1/2011	Doerges	D24/137
D634,008	S	*	3/2011	Tenger et al.	D24/137
D637,716	S	*	5/2011	Clarke et al.	D24/137
2010/0152541	A1	*	6/2010	Tenger et al.	600/194

* cited by examiner

Primary Examiner — Bridget L Eland

(74) *Attorney, Agent, or Firm* — CKC & Partners Co., Ltd.

(57) **CLAIM**

The ornamental design for a laryngoscope blade, as shown.

DESCRIPTION

FIG. 1 is a perspective view of a laryngoscope blade showing my new design;

FIG. 2 is a front view thereof;

FIG. 3 is a rear view thereof;

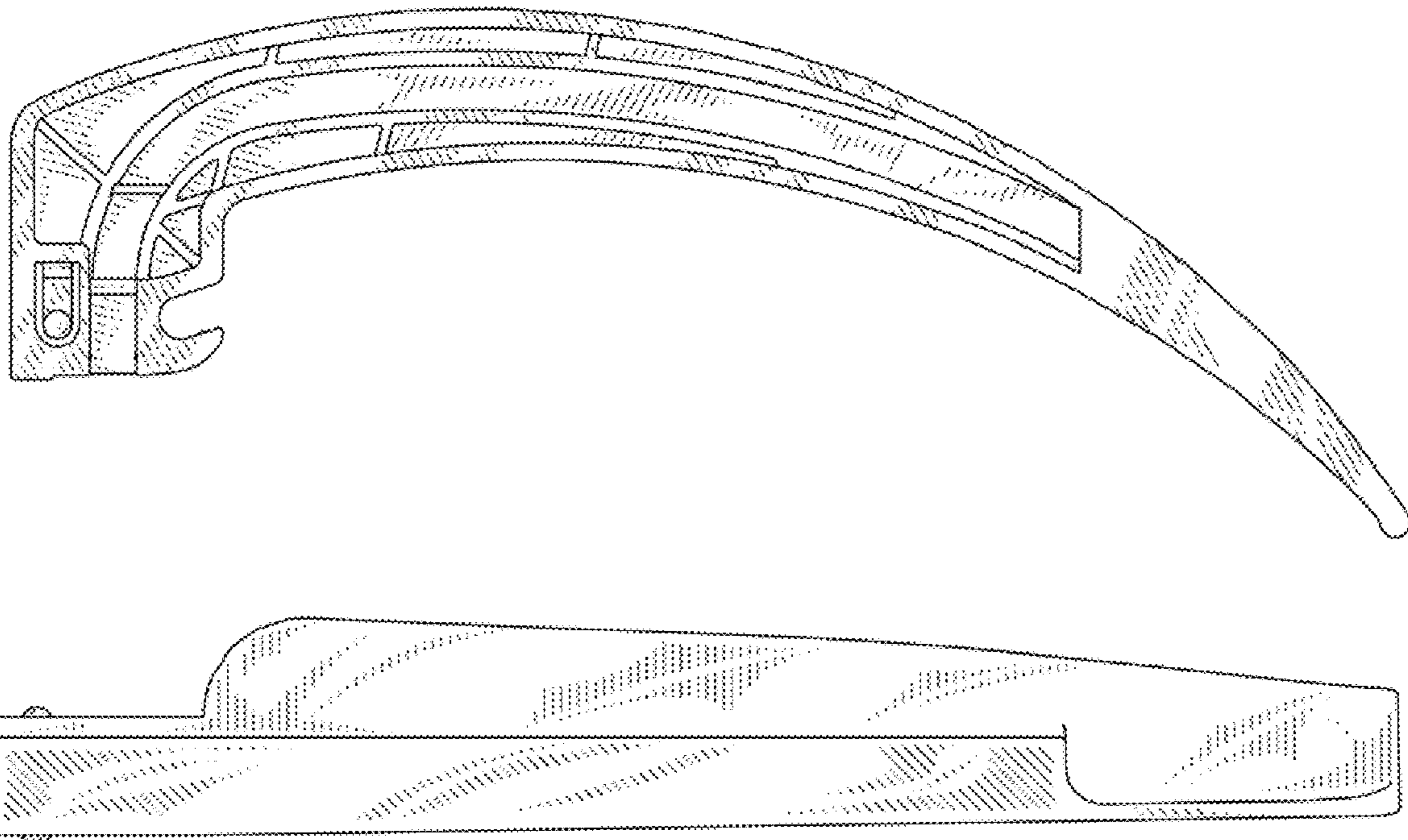
FIG. 4 is a left side view thereof;

FIG. 5 is a right side view thereof;

FIG. 6 is a top view thereof; and,

FIG. 7 is a bottom view thereof.

1 Claim, 4 Drawing Sheets



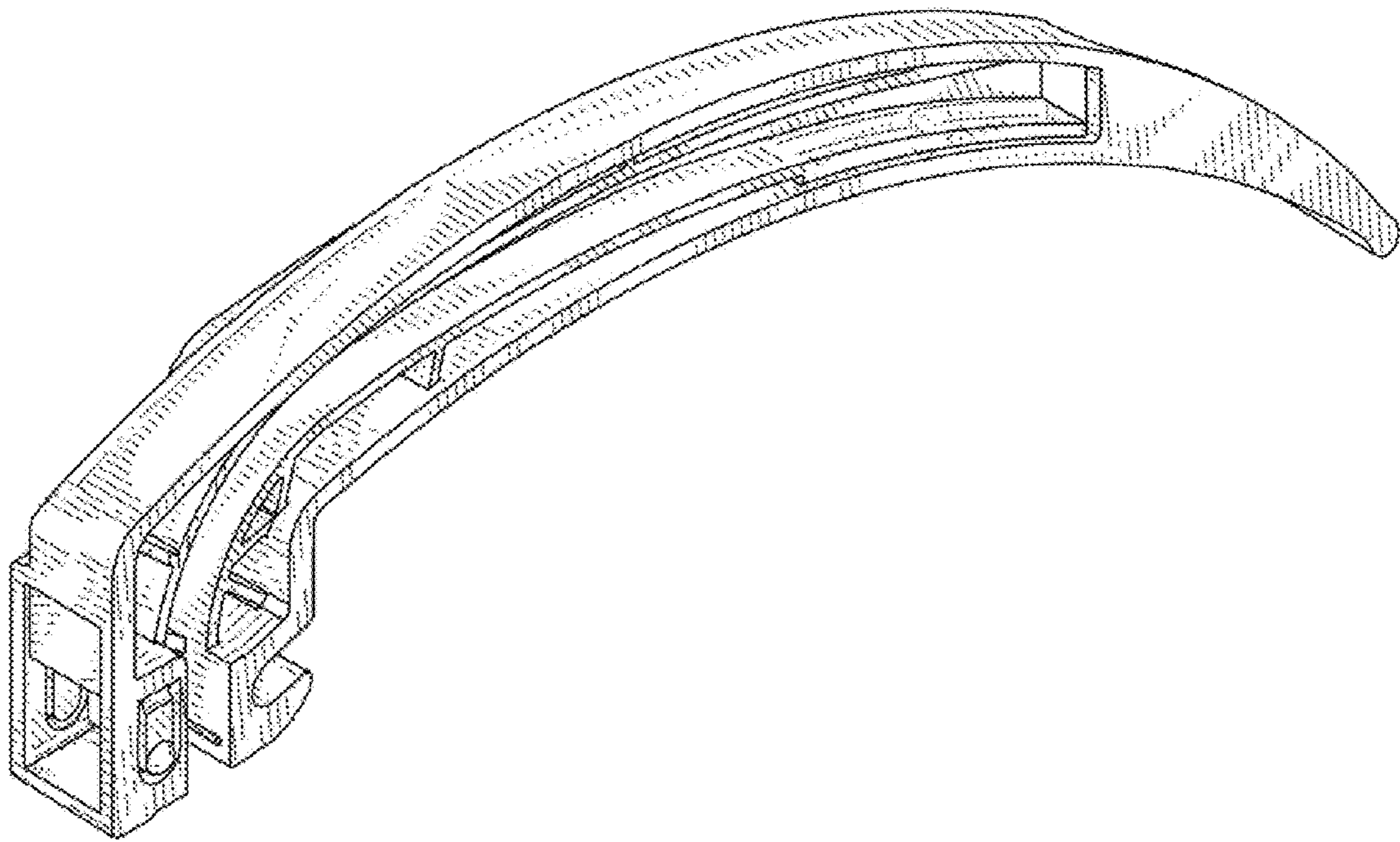


FIG. 1

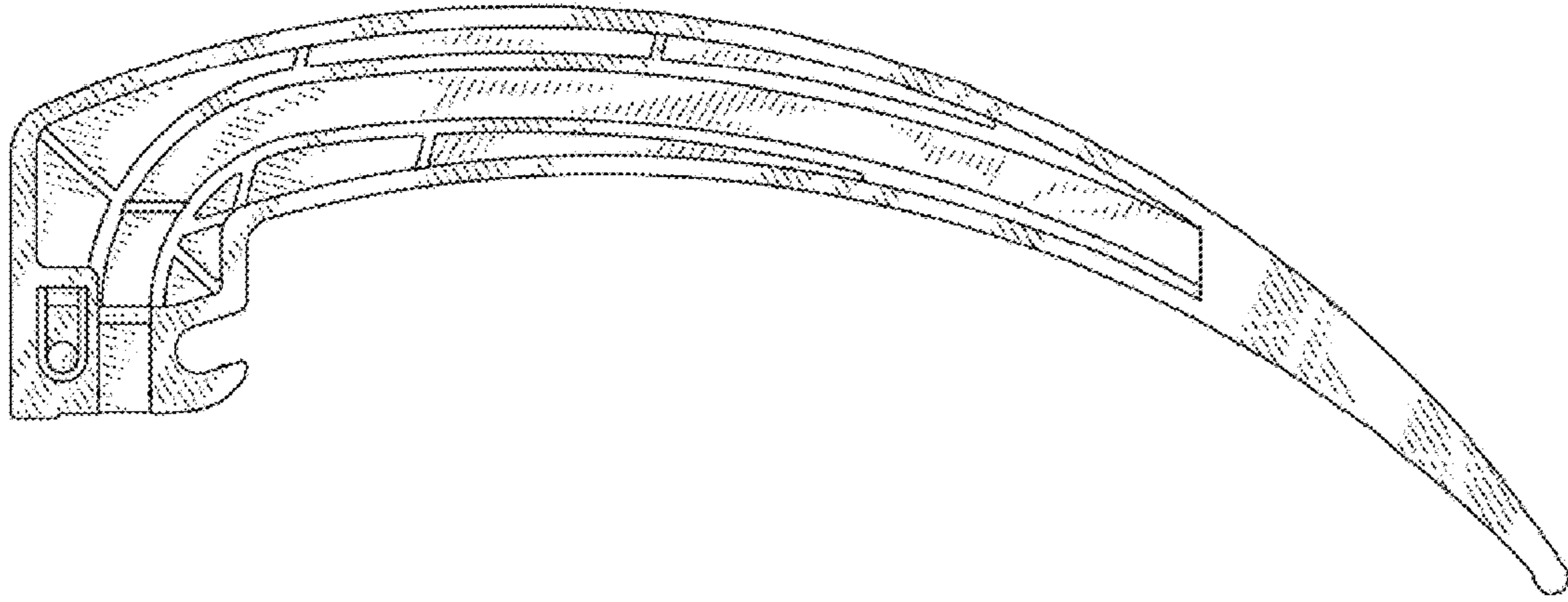


FIG. 2

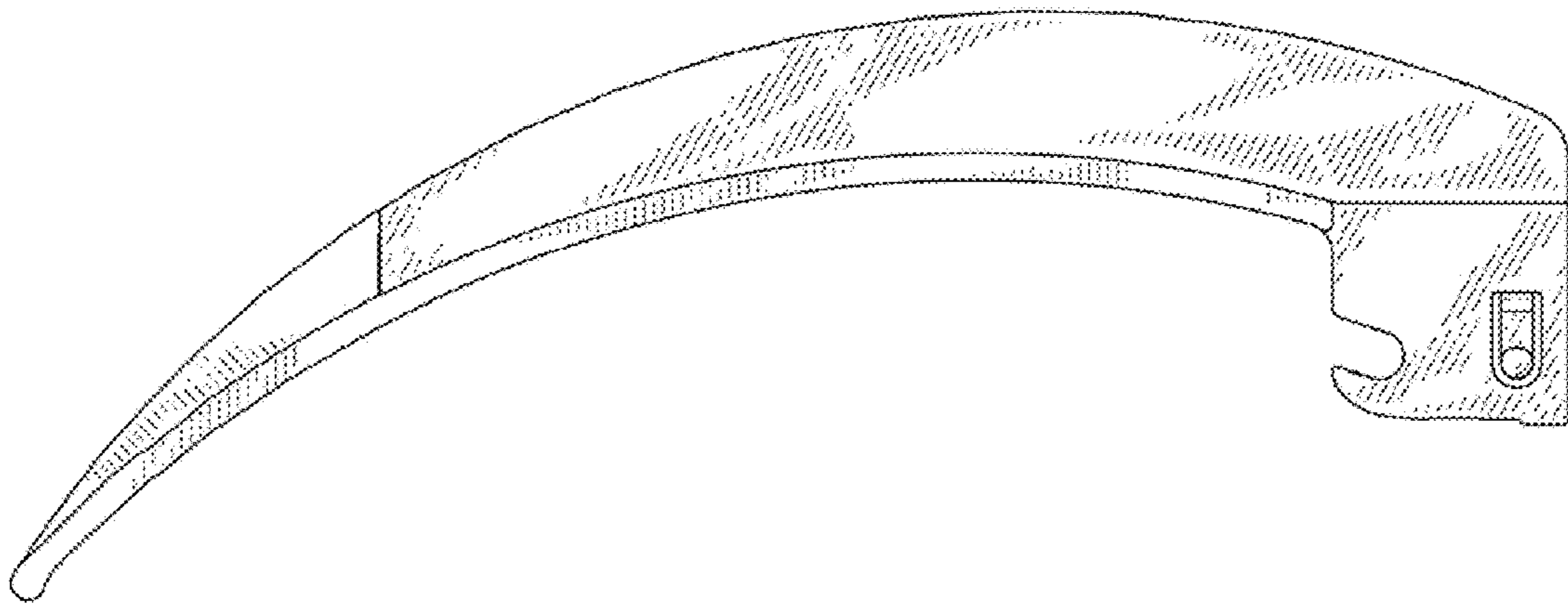


FIG. 3

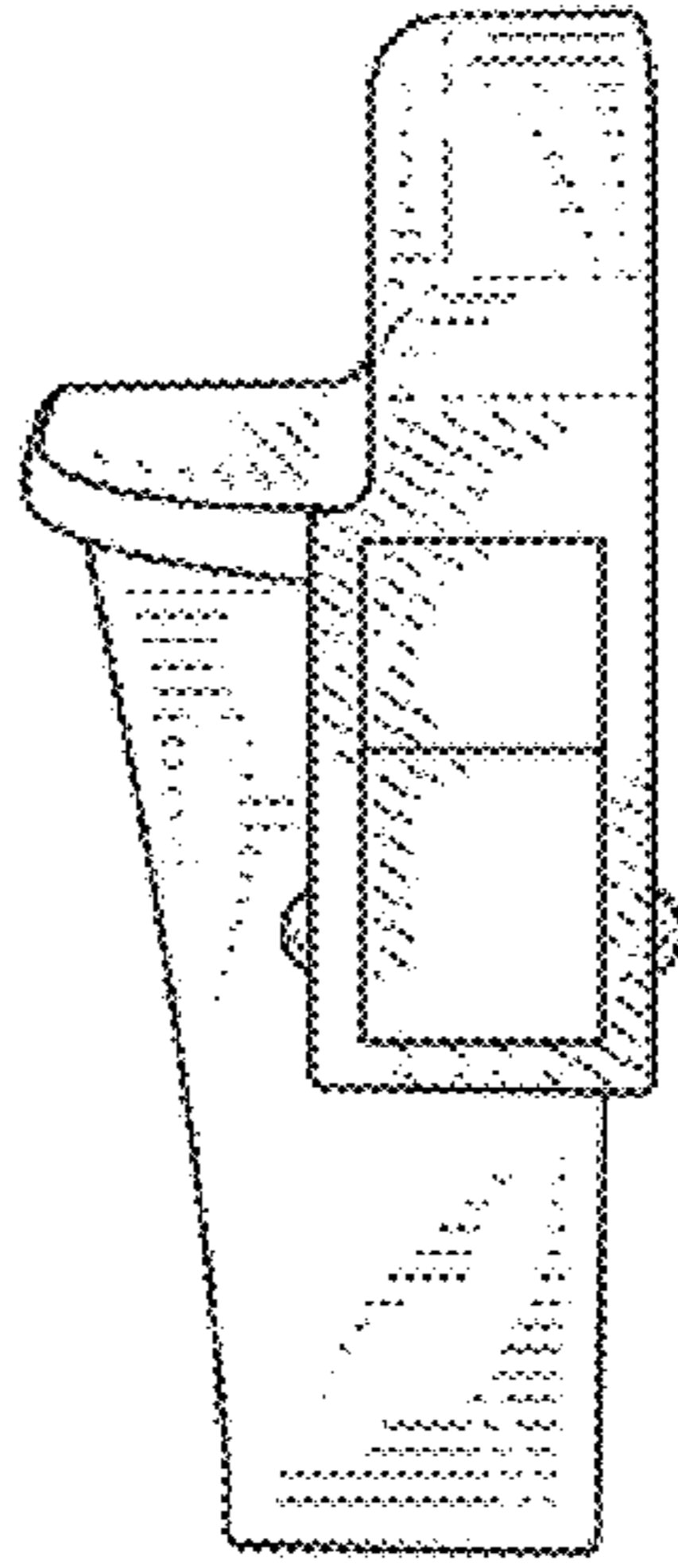


FIG. 4

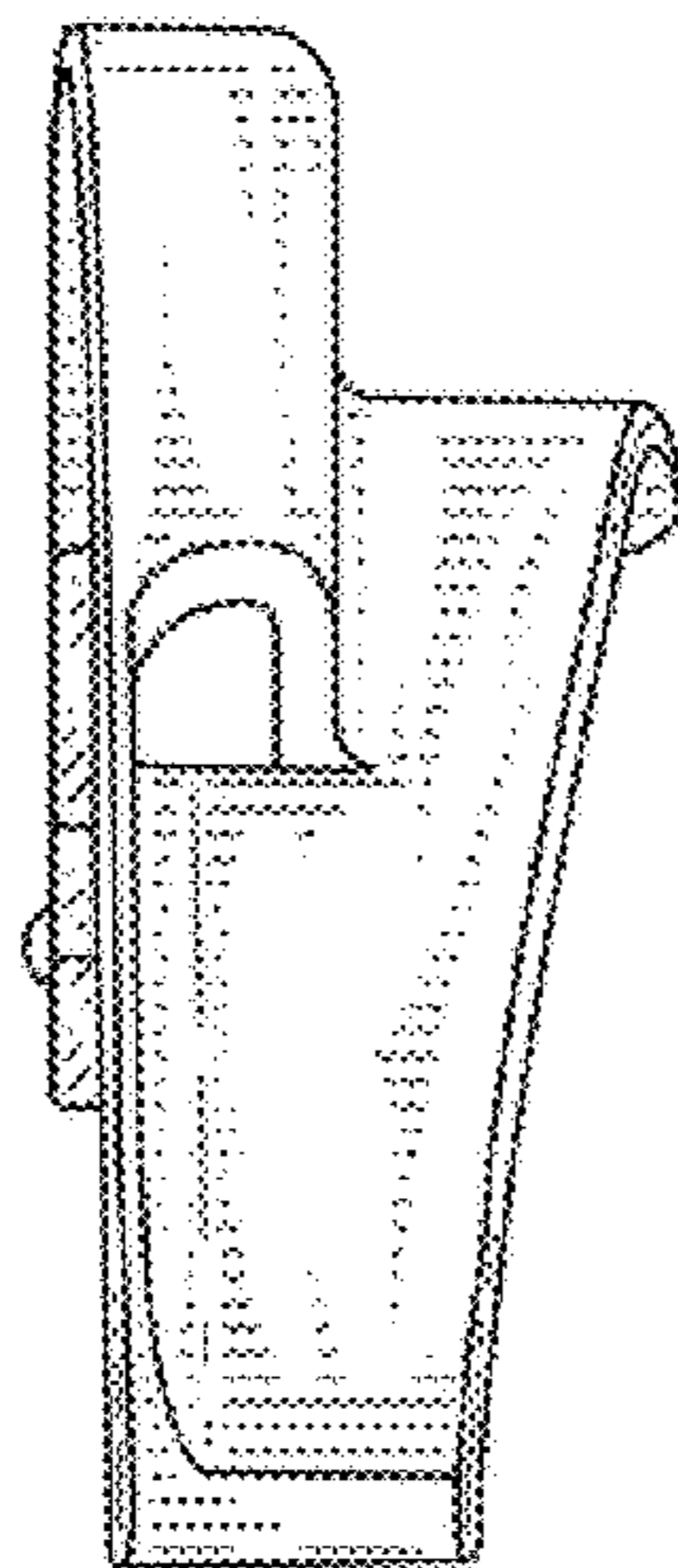


FIG. 5

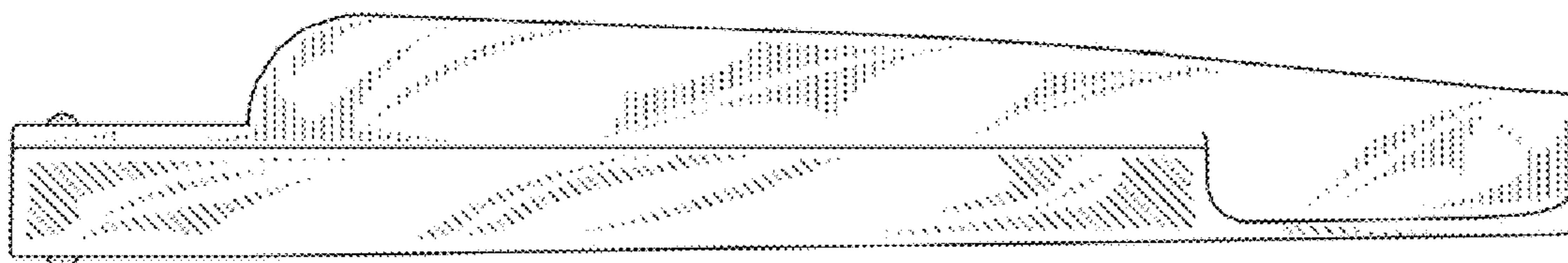


FIG. 6

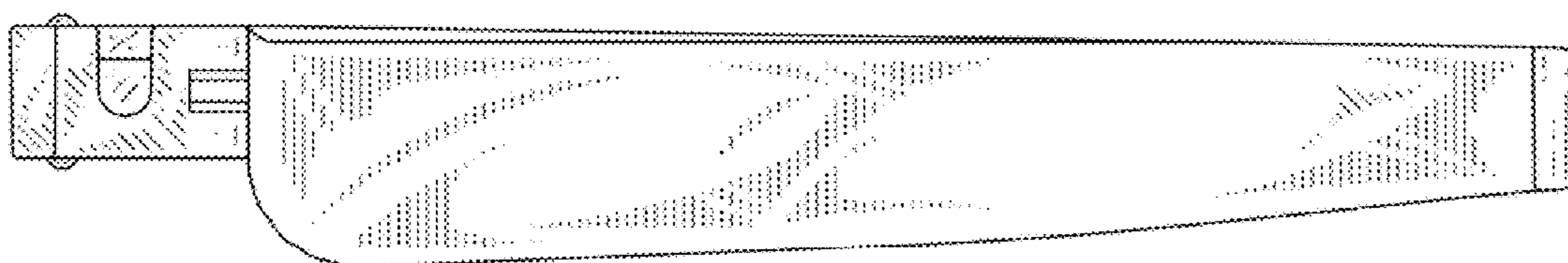


FIG. 7