



US00D645139S

(12) **United States Design Patent**  
**Sawhney et al.**

(10) **Patent No.:** **US D645,139 S**

(45) **Date of Patent:** **\*\* Sep. 13, 2011**

(54) **DENTAL COMPOSITE SYRINGE**

(75) Inventors: **Ravi Sawhney**, Thousand Oaks, CA (US); **Lance Hussey**, Thousand Oaks, CA (US); **Toshihiro Aya**, Thousand Oaks, CA (US); **John Vernon**, Thousand Oaks, CA (US)

(73) Assignee: **Discus Dental, LLC**, Culver City, CA (US)

(\*\*) Term: **14 Years**

(21) Appl. No.: **29/361,430**

(22) Filed: **May 11, 2010**

(51) **LOC (9) Cl.** ..... **24-02**

(52) **U.S. Cl.** ..... **D24/113**

(58) **Field of Classification Search** ..... D24/112-114, D24/133, 186, 104, 130, 127, 176, 221, 180; 606/181, 185; 604/232, 187, 158, 164.08, 604/192, 263, 163, 181, 184, 198, 227, 223; 600/578

See application file for complete search history.

(56) **References Cited**

**U.S. PATENT DOCUMENTS**

3,819,091 A \* 6/1974 Hollender ..... 604/223  
4,950,252 A \* 8/1990 Luther et al. .... 604/198

5,241,969 A \* 9/1993 Carson et al. .... 604/227  
D349,958 S \* 8/1994 Hollis et al. .... D24/112  
D360,462 S \* 7/1995 Armbruster et al. .... D24/113  
5,469,860 A \* 11/1995 De Santis ..... 600/578  
5,616,134 A \* 4/1997 Firth et al. .... 604/198  
D435,292 S \* 12/2000 Dragan et al. .... D24/176  
D440,654 S \* 4/2001 Mark ..... D24/176  
D548,835 S \* 8/2007 Galbraith ..... D24/114  
D621,500 S \* 8/2010 Sanders et al. .... D24/113  
D623,755 S \* 9/2010 Ikegame ..... D24/186  
D625,802 S \* 10/2010 Choi et al. .... D24/133

\* cited by examiner

*Primary Examiner* — David Muller

(57) **CLAIM**

The ornamental design for a dental composite syringe, as shown and described.

**DESCRIPTION**

FIG. 1 is a top plan view of a dental composite syringe of the present invention.

FIG. 2 is a side elevation view thereof;

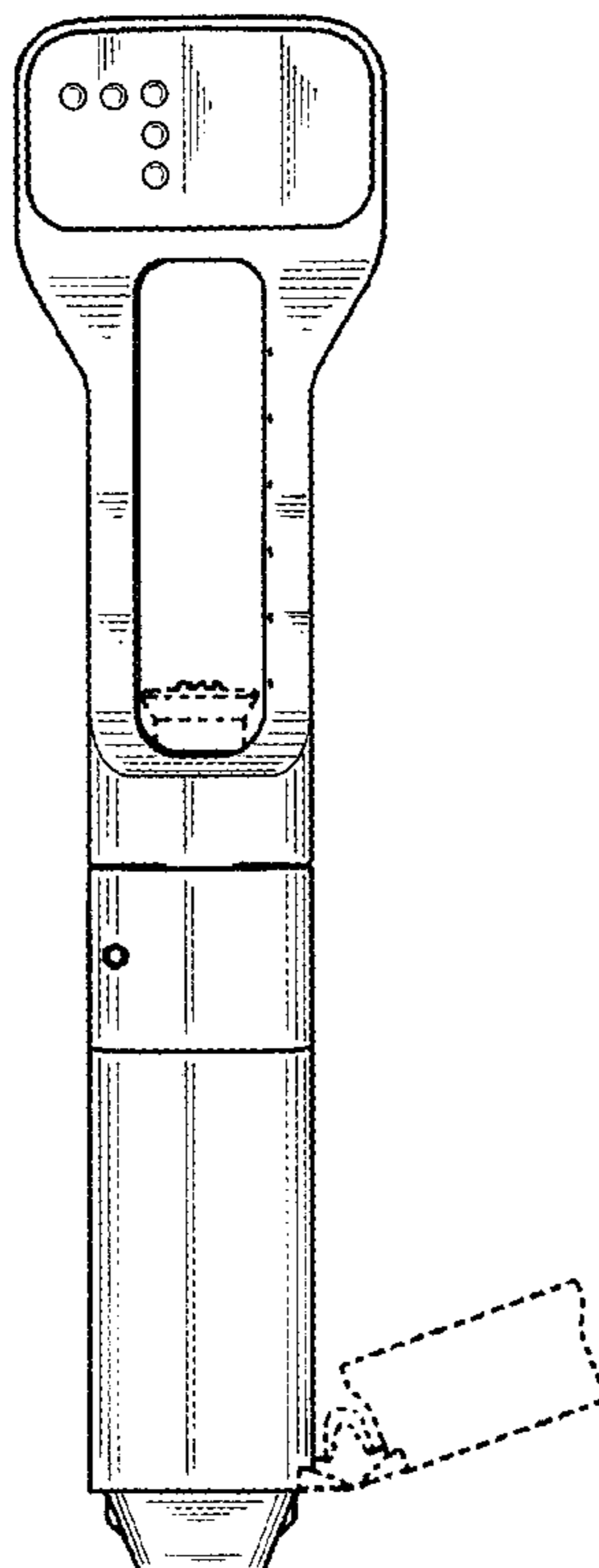
FIG. 3 is a bottom plan view thereof;

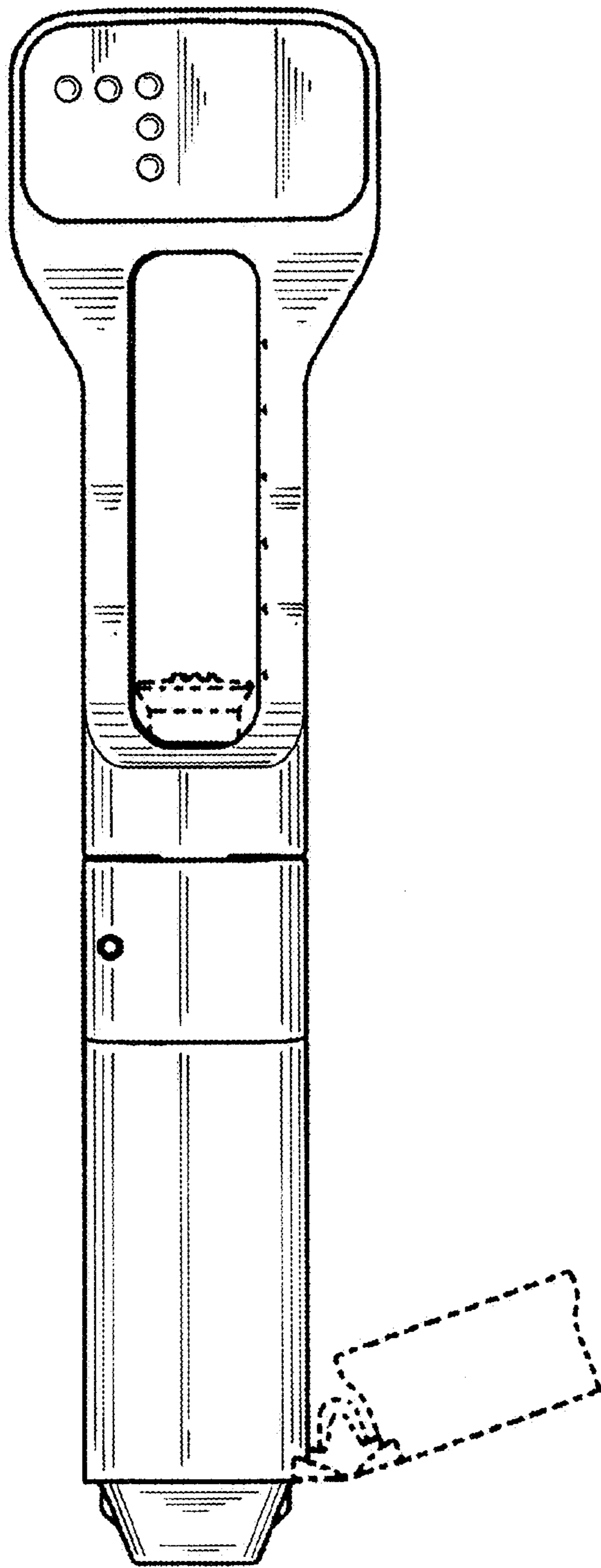
FIG. 4 is a back elevation view thereof; and,

FIG. 5 is a front elevation view thereof.

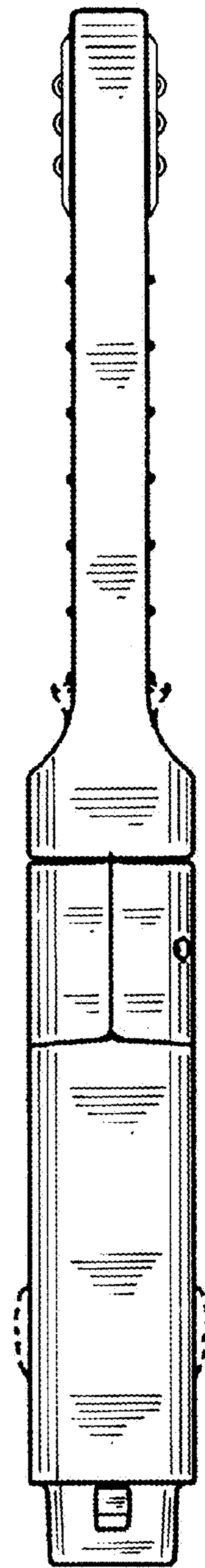
The dashed lines immediately adjacent to the front opening of the syringe in FIG. 5 represent the boundaries of the claimed design. The dashed lines in the figures illustrate the portions of the design that form no part of the claimed design. None of the broken lines form any part of the claimed design.

**1 Claim, 2 Drawing Sheets**

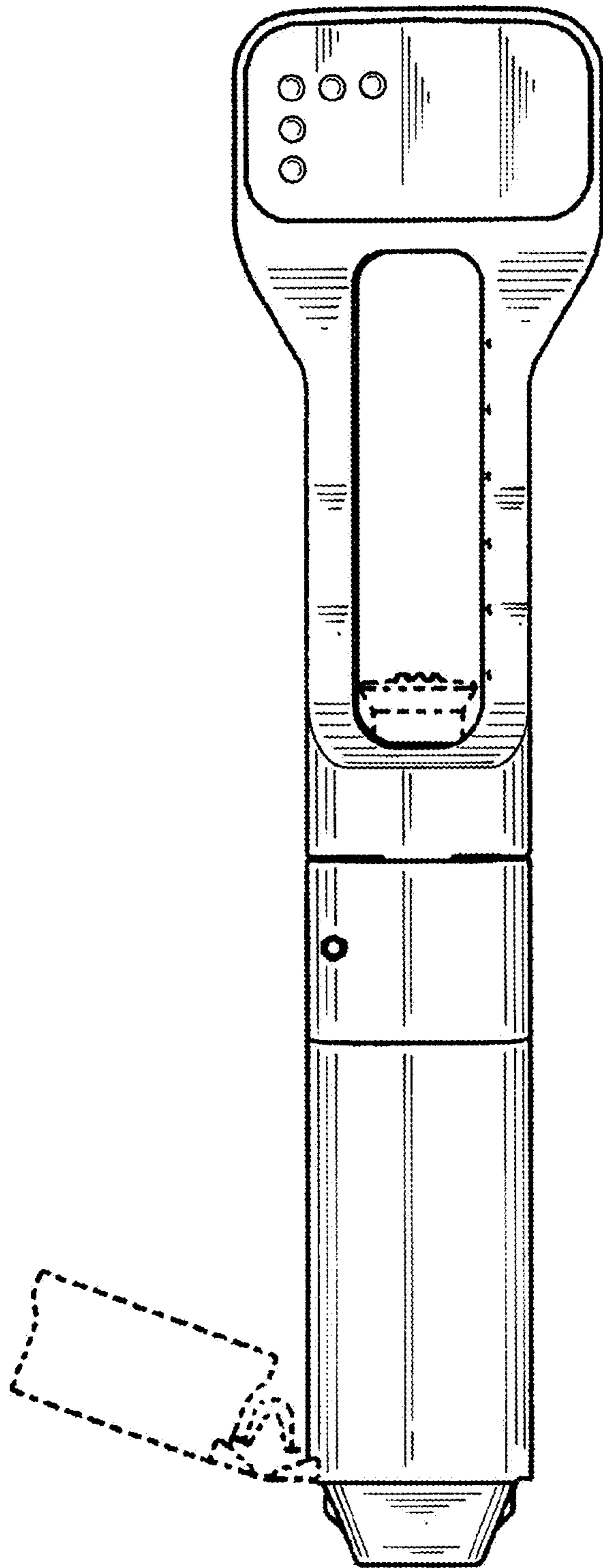




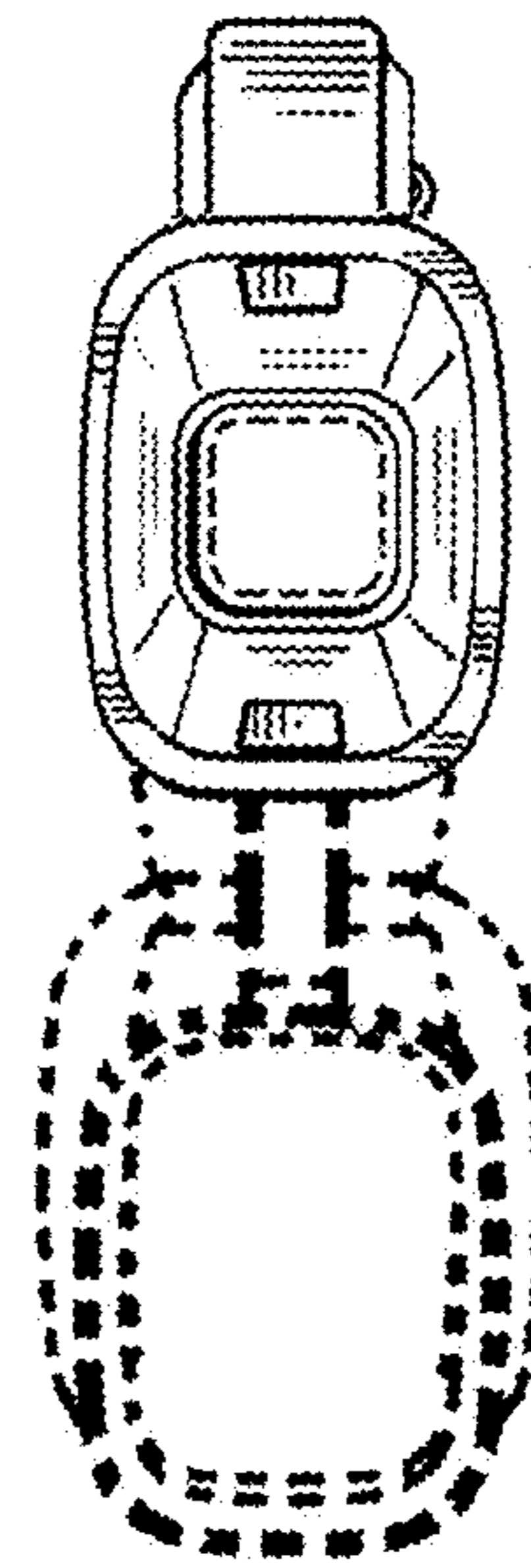
*Fig. 1*



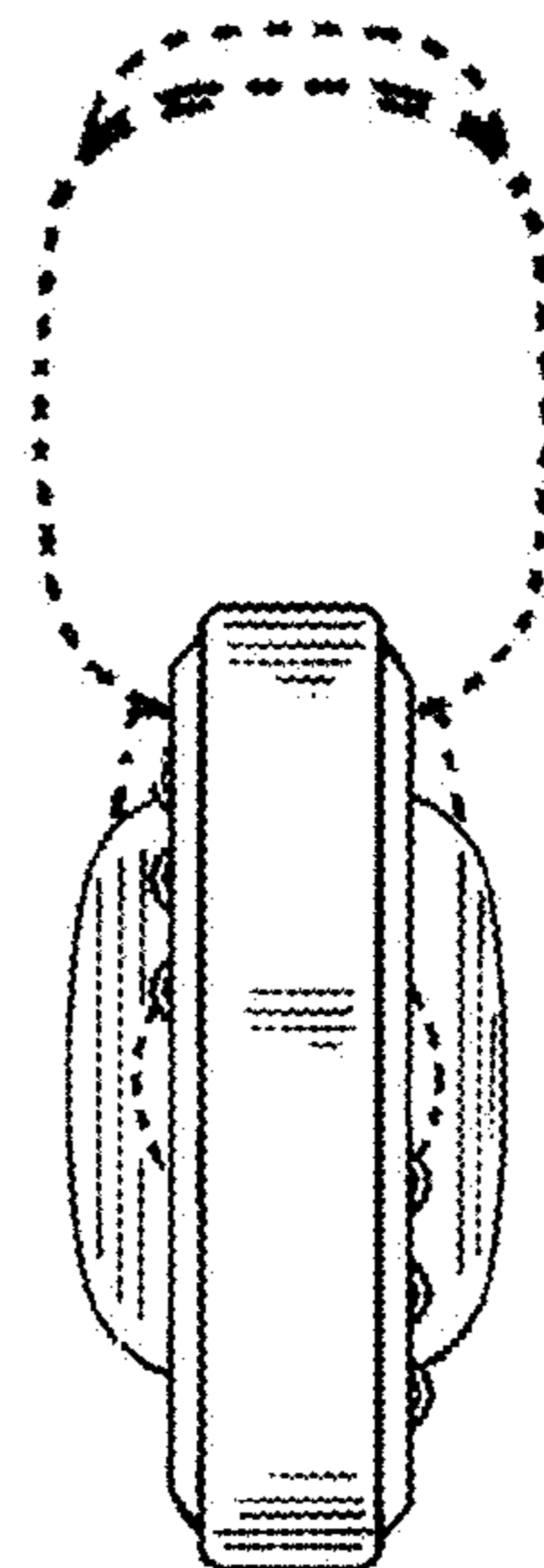
*Fig. 2*



*Fig. 3*



*Fig. 5*



*Fig. 4*