



US00D645131S

(12) **United States Design Patent**  
**Chan et al.**

(10) **Patent No.:** **US D645,131 S**

(45) **Date of Patent:** **\*\* Sep. 13, 2011**

(54) **DISPENSER FOR AN AIR TREATMENT  
COMPOSITION**

(56) **References Cited**

(75) Inventors: **Dennis Chan**, Dongguan (CN); **Mark  
Fernandes**, Warwick (GB); **Peter Kay**,  
Warwick (GB); **Stuart King**, Warwick  
(GB); **Paul Marrs**, Hull (GB); **Dan  
Tyce**, Warwick (GB); **Chris Witty**, Hull  
(GB); **Simon Woolley**, Hull (GB)

(73) Assignee: **Reckitt & Colman (Overseas) Limited**,  
Berkshire (GB)

(\*\*) Term: **14 Years**

(21) Appl. No.: **29/359,896**

(22) Filed: **Apr. 16, 2010**

(30) **Foreign Application Priority Data**

Oct. 19, 2009 (EM) ..... 001171656-0016

(51) **LOC (9) Cl.** ..... **23-04**

(52) **U.S. Cl.** ..... **D23/364**

(58) **Field of Classification Search** ..... D23/364,  
D23/355, 356, 359, 360, 366, 369, 332, 333,  
D23/335, 342, 351; 422/120, 122; 55/356,  
55/473, 504; 96/97; D14/188, 170, 172;  
261/DIG. 17, DIG. 65, DIG. 88, DIG. 31

See application file for complete search history.

U.S. PATENT DOCUMENTS

D568,978	S	*	5/2008	Kennedy et al.	.....	D23/366
D583,039	S	*	12/2008	Kay et al.	.....	D23/366
D597,646	S	*	8/2009	Chapman et al.	.....	D23/366
D598,527	S	*	8/2009	Fitsch	.....	D23/356
D604,402	S	*	11/2009	Tomas Vilarasa et al.	...	D23/366
D605,277	S	*	12/2009	Rossi	.....	D23/366
D606,643	S	*	12/2009	Butler et al.	.....	D23/366
D606,644	S	*	12/2009	Butler et al.	.....	D23/366
D607,983	S	*	1/2010	Irvin	.....	D23/366
D612,472	S	*	3/2010	Rossi	.....	D23/366
D612,924	S	*	3/2010	Jorgensen	.....	D23/366
D613,844	S	*	4/2010	Jorgensen	.....	D23/366
D614,755	S	*	4/2010	Brewster	.....	D23/366

\* cited by examiner

*Primary Examiner* — David Muller

(74) *Attorney, Agent, or Firm* — Norris McLaughlin &  
Marcus, P.A.

(57) **CLAIM**

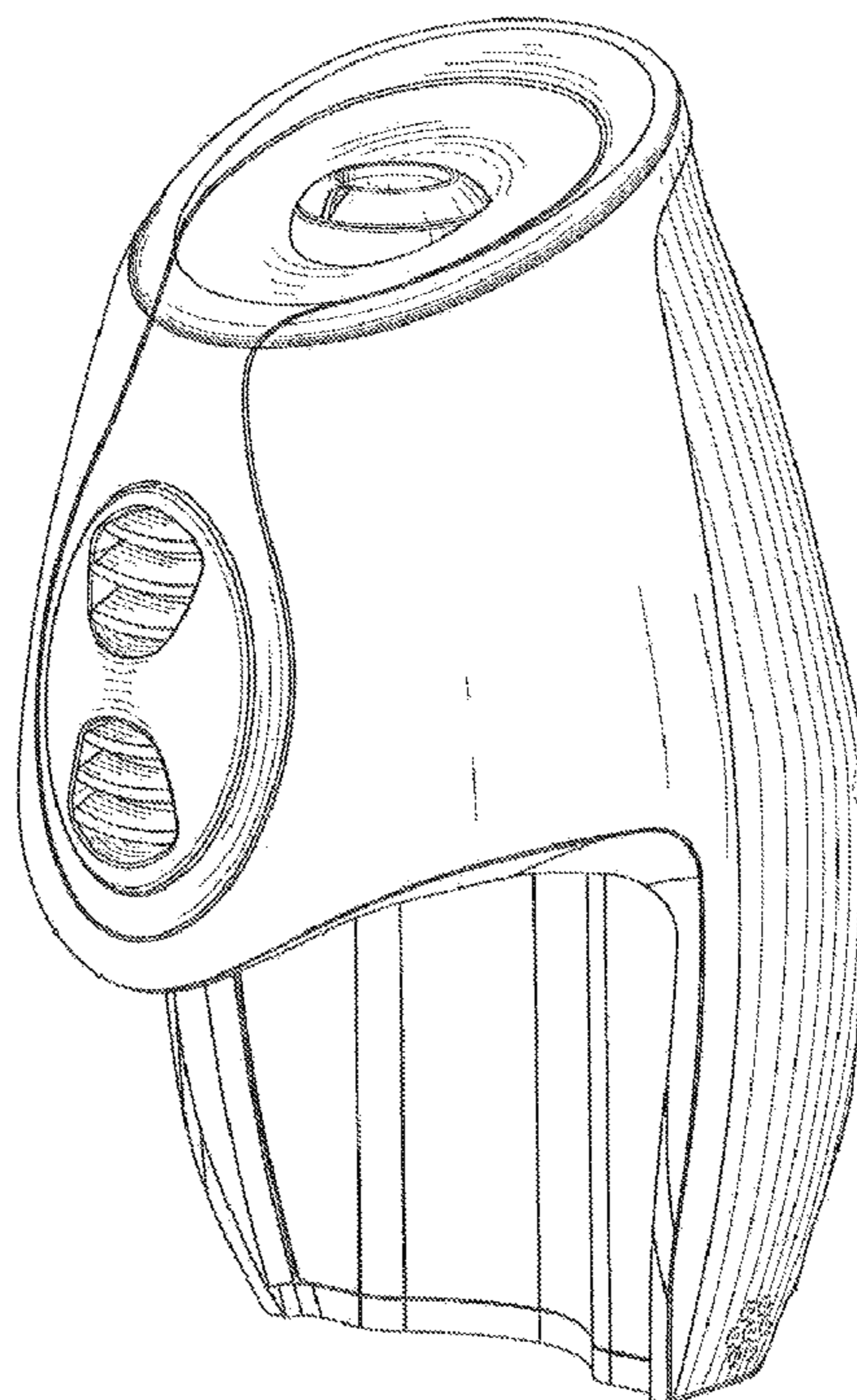
The ornamental design for a dispenser for an air treatment  
composition, as shown and described.

**DESCRIPTION**

FIG. 1 is a front perspective view of our dispenser for an air  
treatment composition;  
FIG. 2 is a front elevational view thereof;  
FIG. 3 is a rear elevational view thereof;  
FIG. 4 is a right side elevational view thereof;  
FIG. 5 is a left side elevational view thereof; and,  
FIG. 6 is a top plan view thereof.

The features shown in broken lines in the drawings depict  
environmental subject matter only, and form no part of the  
claimed design.

**1 Claim, 6 Drawing Sheets**



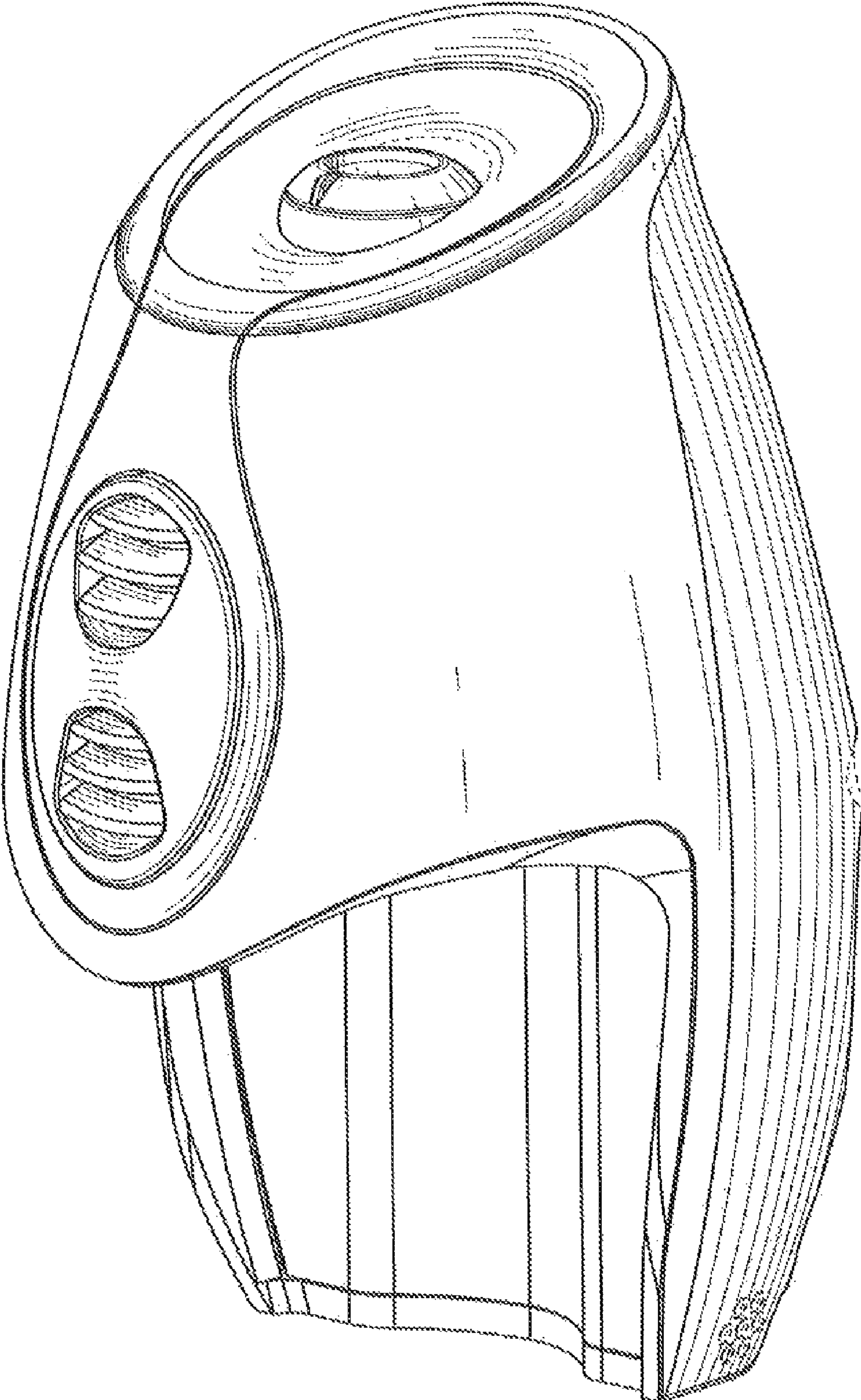


Fig. 1

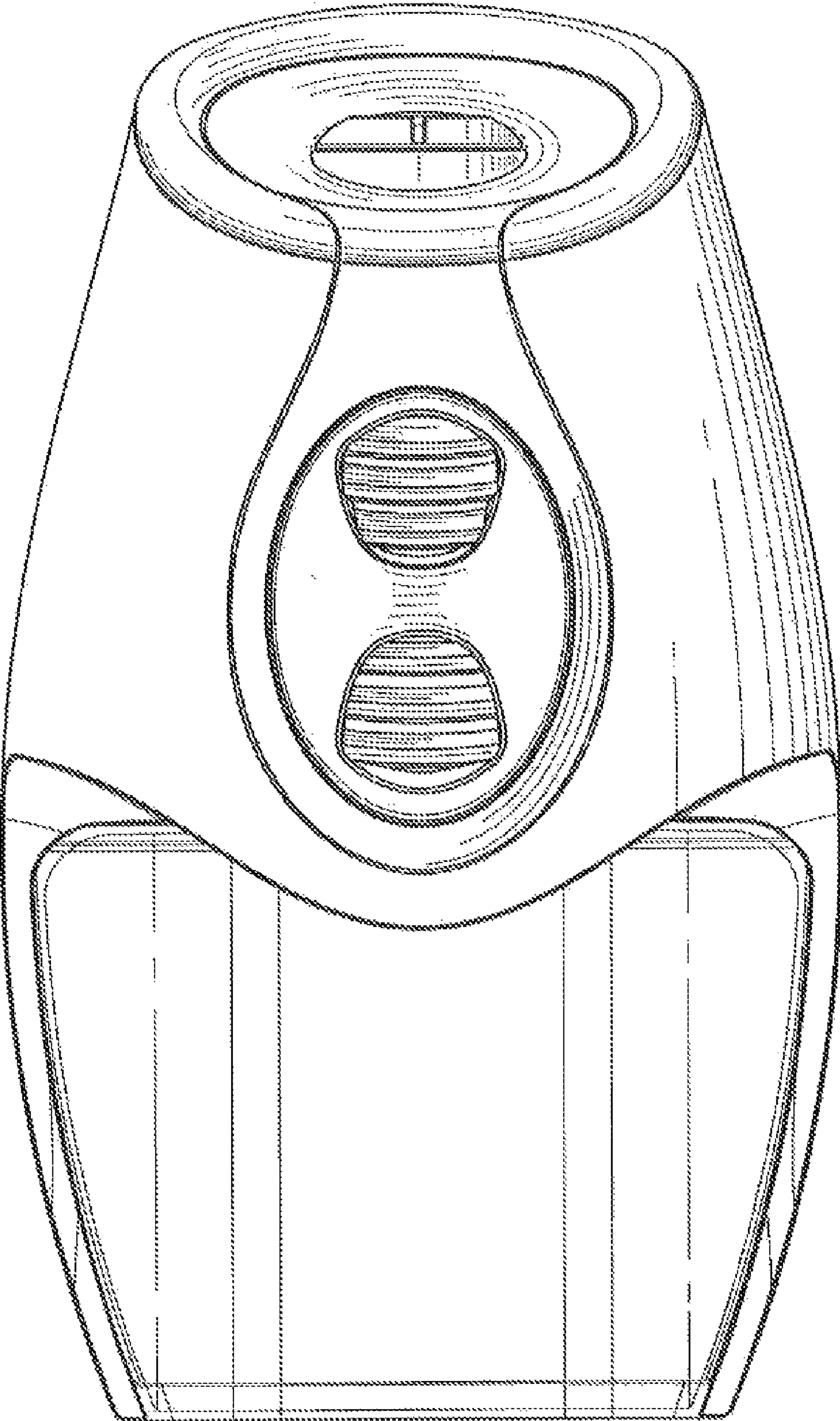


Fig. 2

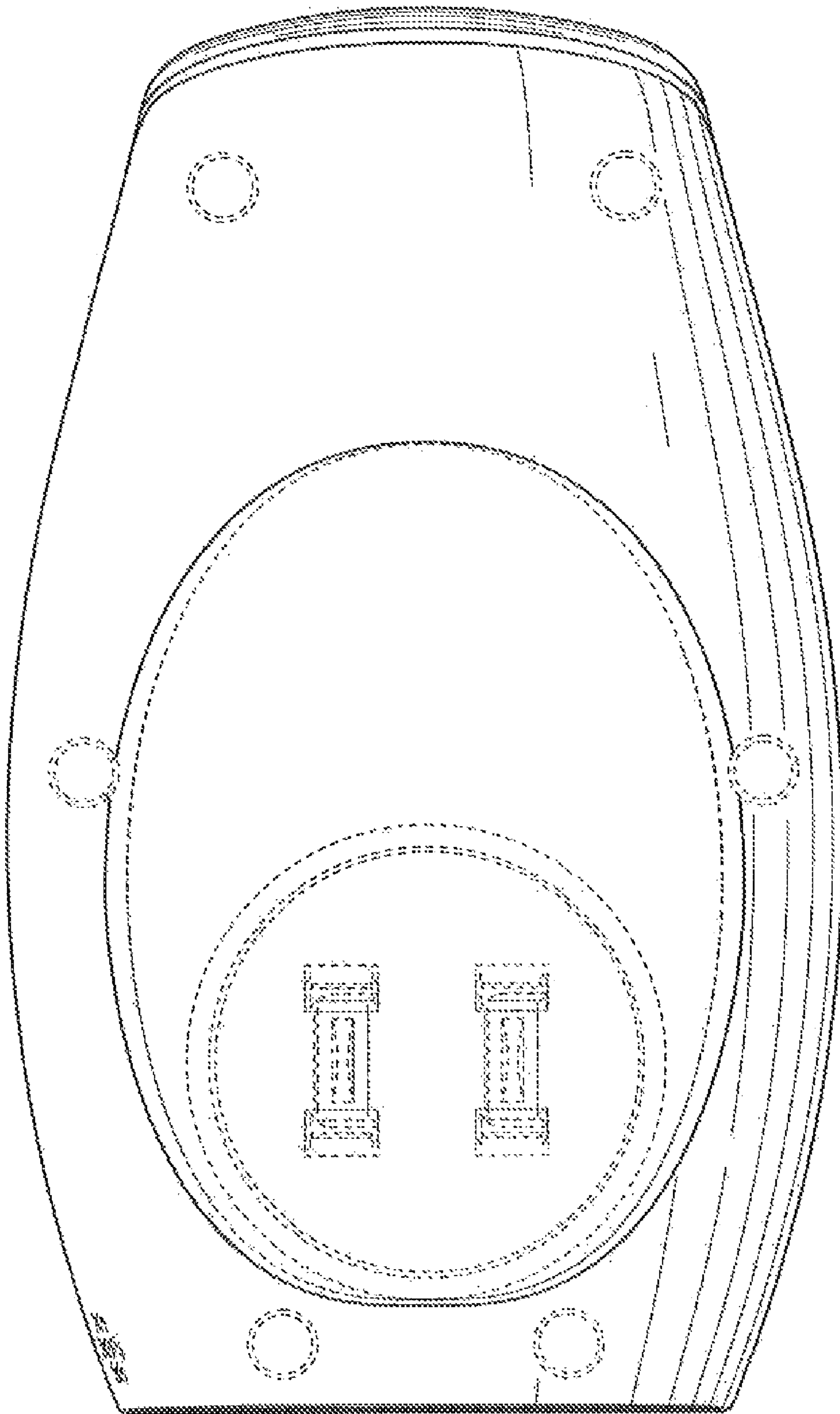


Fig. 3

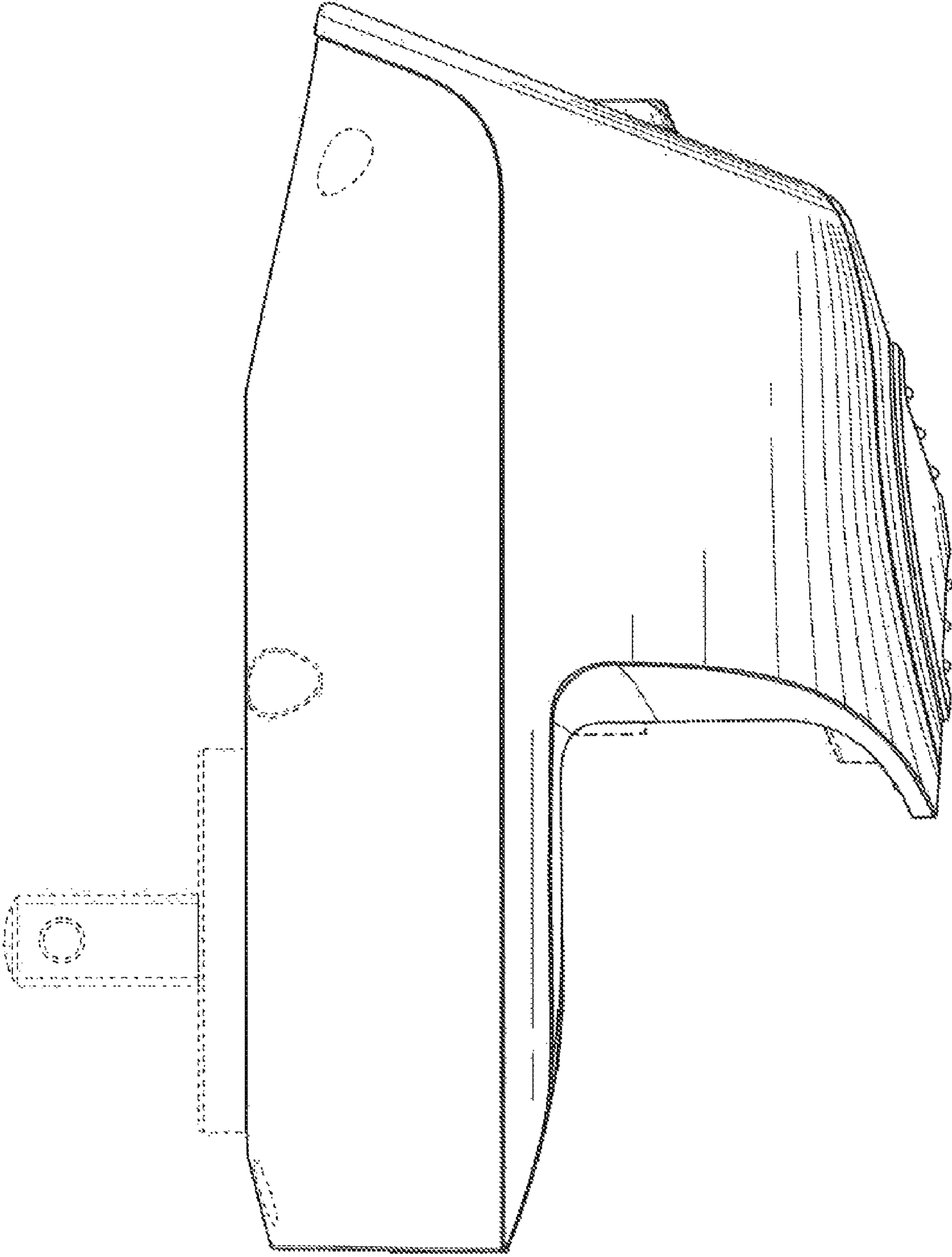


Fig. 4

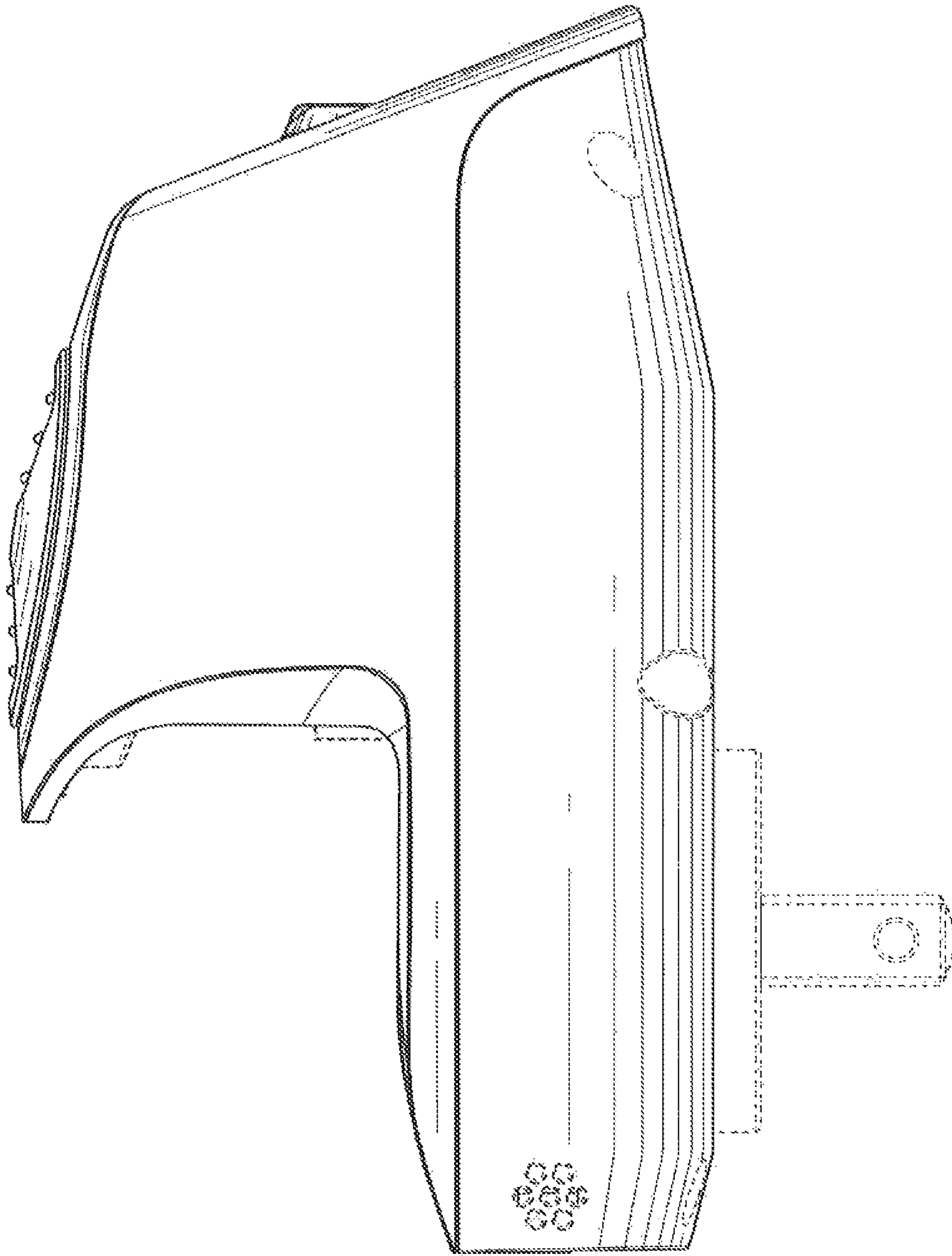


Fig. 5

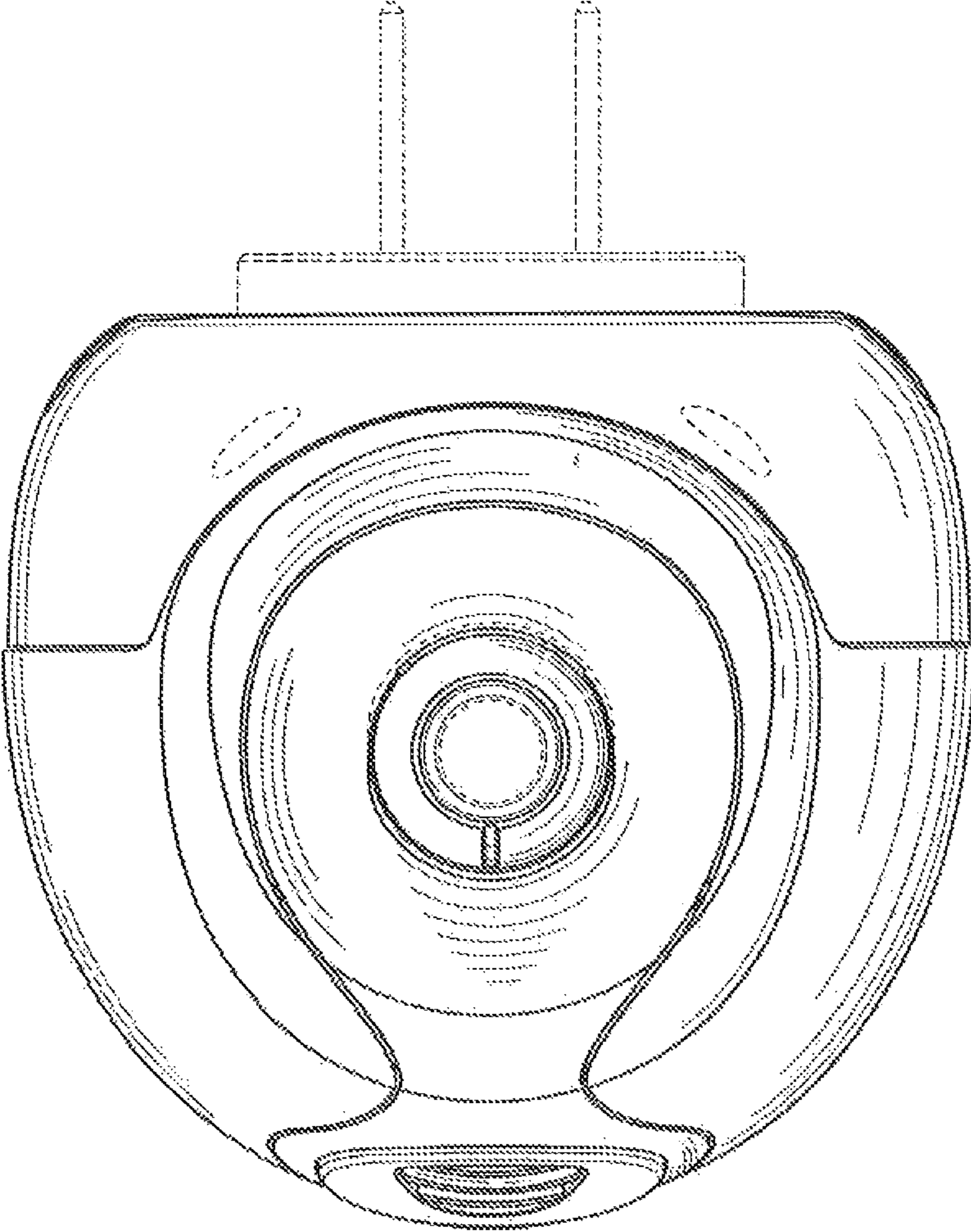


Fig. 6