

US00D645130S

(12) **United States Design Patent**
Goldstein et al.

(10) **Patent No.:** **US D645,130 S**

(45) **Date of Patent:** **** Sep. 13, 2011**

(54) **HUMIDIFIER**

(76) Inventors: **Ido Goldstein**, Sacramento, CA (US);
Adaya Goldstein, Sacramento, CA
(US); **Gad Goldstein**, Sacramento, CA
(US)

(**) Term: **14 Years**

(21) Appl. No.: **29/361,532**

(22) Filed: **May 12, 2010**

(51) **LOC (9) Cl.** **23-04**

(52) **U.S. Cl.** **D23/356**

(58) **Field of Classification Search** D23/355-360,
D23/364, 366, 369, 332, 333, 335, 342, 351,
D23/386, 326, 327; 422/120, 122; 55/356,
55/473, 504; 96/97; D14/188, 170, 172;
261/DIG. 17, DIG. 65, DIG. 88, DIG. 31;
D18/34.6; D15/81; D7/346, 447, 348, 349,
D7/350.1, 350.2, 213; D24/217

See application file for complete search history.

(56) **References Cited**

U.S. PATENT DOCUMENTS

D288,519 S * 3/1987 Taylor D7/348
D450,820 S * 11/2001 Breshears et al. D23/342
D453,822 S * 2/2002 Meeks et al. D23/356
D477,000 S * 7/2003 Aldous et al. D15/81

D494,606 S * 8/2004 Krieger et al. D15/81
D549,308 S * 8/2007 Chiu D23/333
D558,317 S * 12/2007 Francisquini D23/351
D566,256 S * 4/2008 Abate et al. D23/364
D589,293 S * 3/2009 Averty D7/350.2
D594,483 S * 6/2009 Cefalu D15/81
D603,210 S * 11/2009 Davis D7/350.1
D606,184 S * 12/2009 Chiu D23/359
D621,019 S * 8/2010 Kim et al. D23/356

* cited by examiner

Primary Examiner — David Muller

(74) *Attorney, Agent, or Firm* — Sinorica, LLC

(57) **CLAIM**

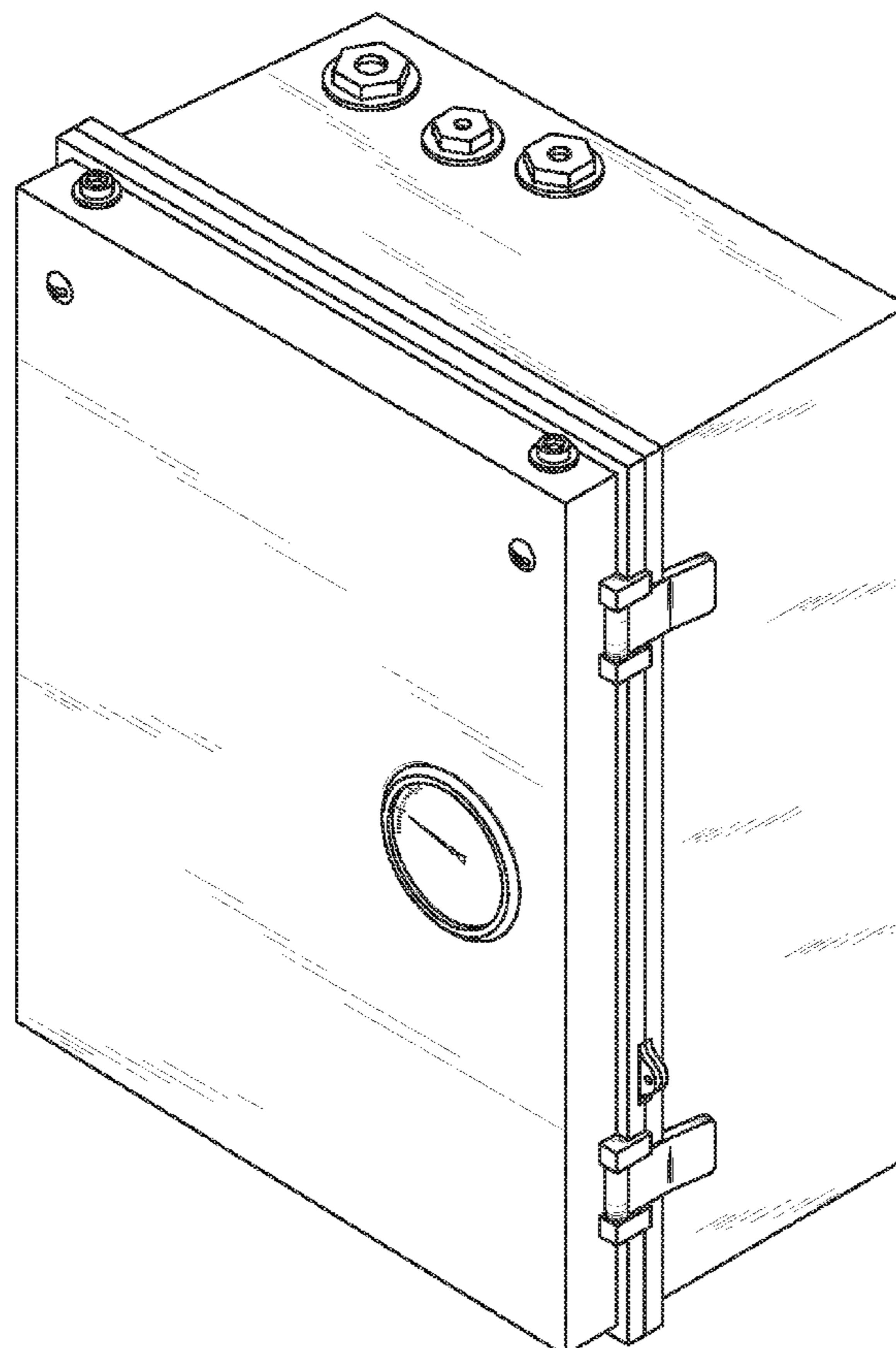
The ornamental design for a humidifier, as shown and described.

DESCRIPTION

FIG. 1 is a perspective view of a humidifier;
FIG. 2 is a front elevational view thereof.
FIG. 3 is a rear elevational view thereof;
FIG. 4 is a right-side elevational view thereof;
FIG. 5 is a left-side elevational view thereof;
FIG. 6 is a top plan view thereof; and,
FIG. 7 is a bottom plan view thereof.

The broken line showing of parts of the drawings is included for the purpose of illustration use and environment and forms no part of the claimed design.

1 Claim, 6 Drawing Sheets



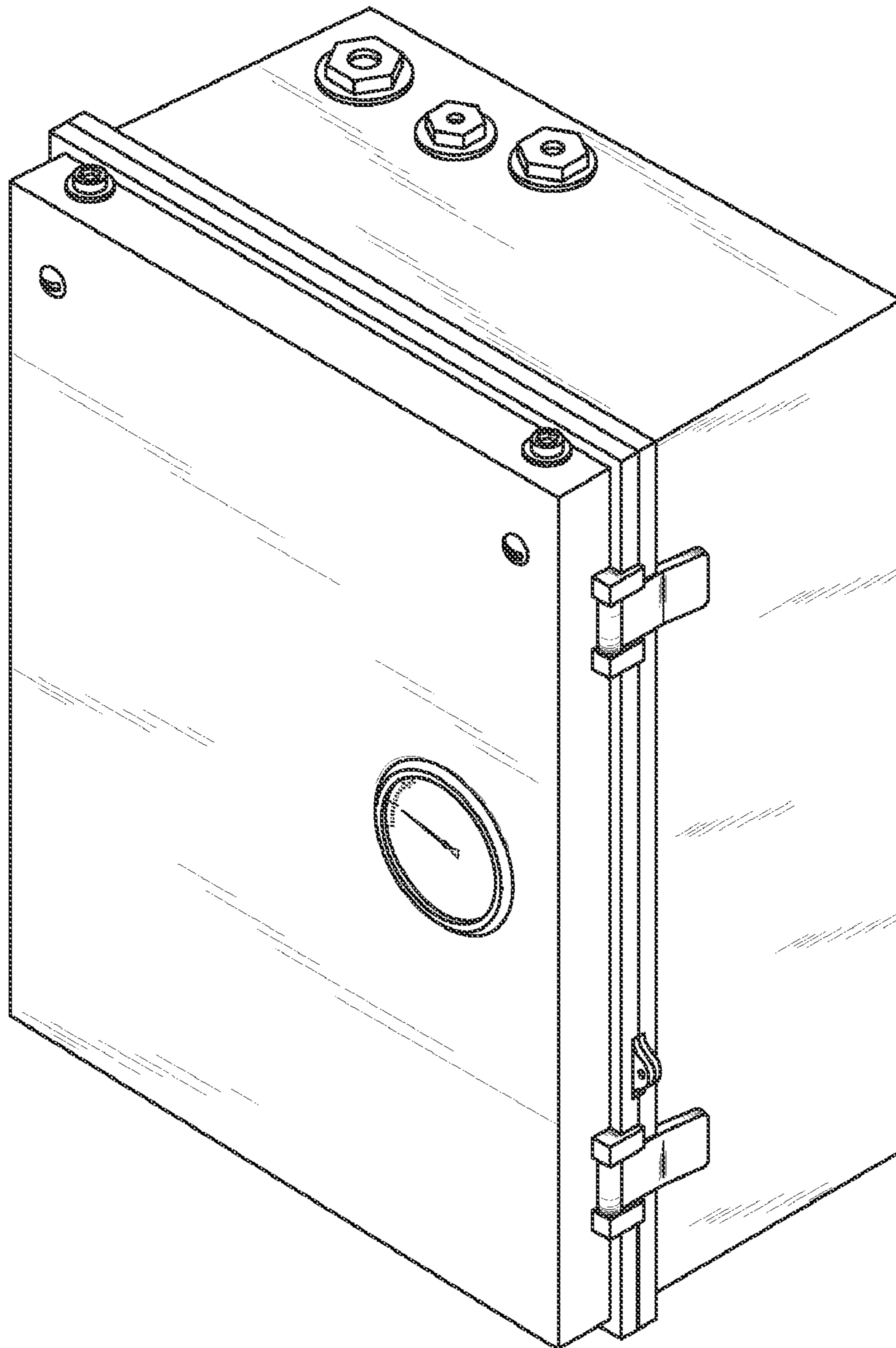


FIG. 1

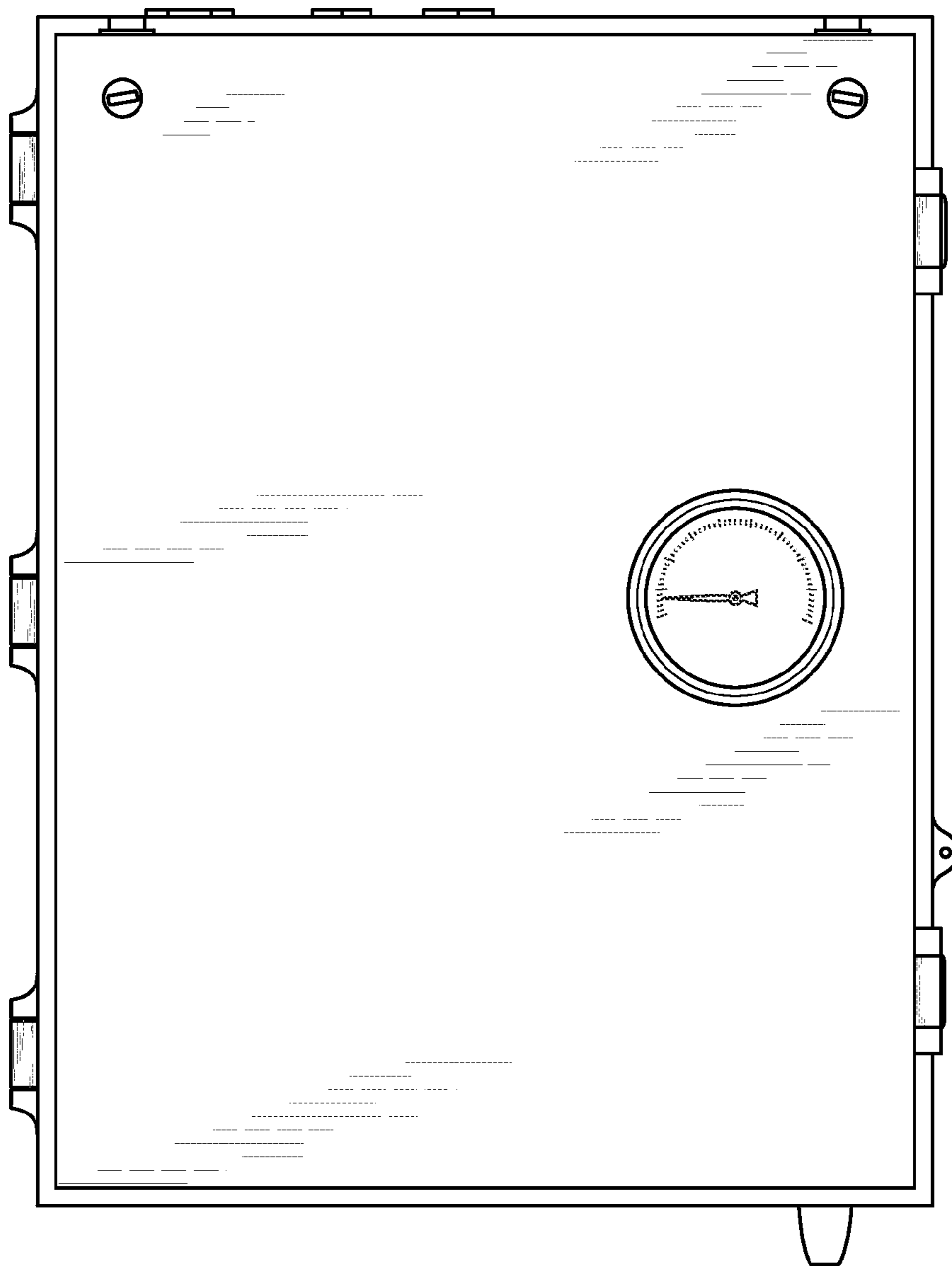


FIG. 2

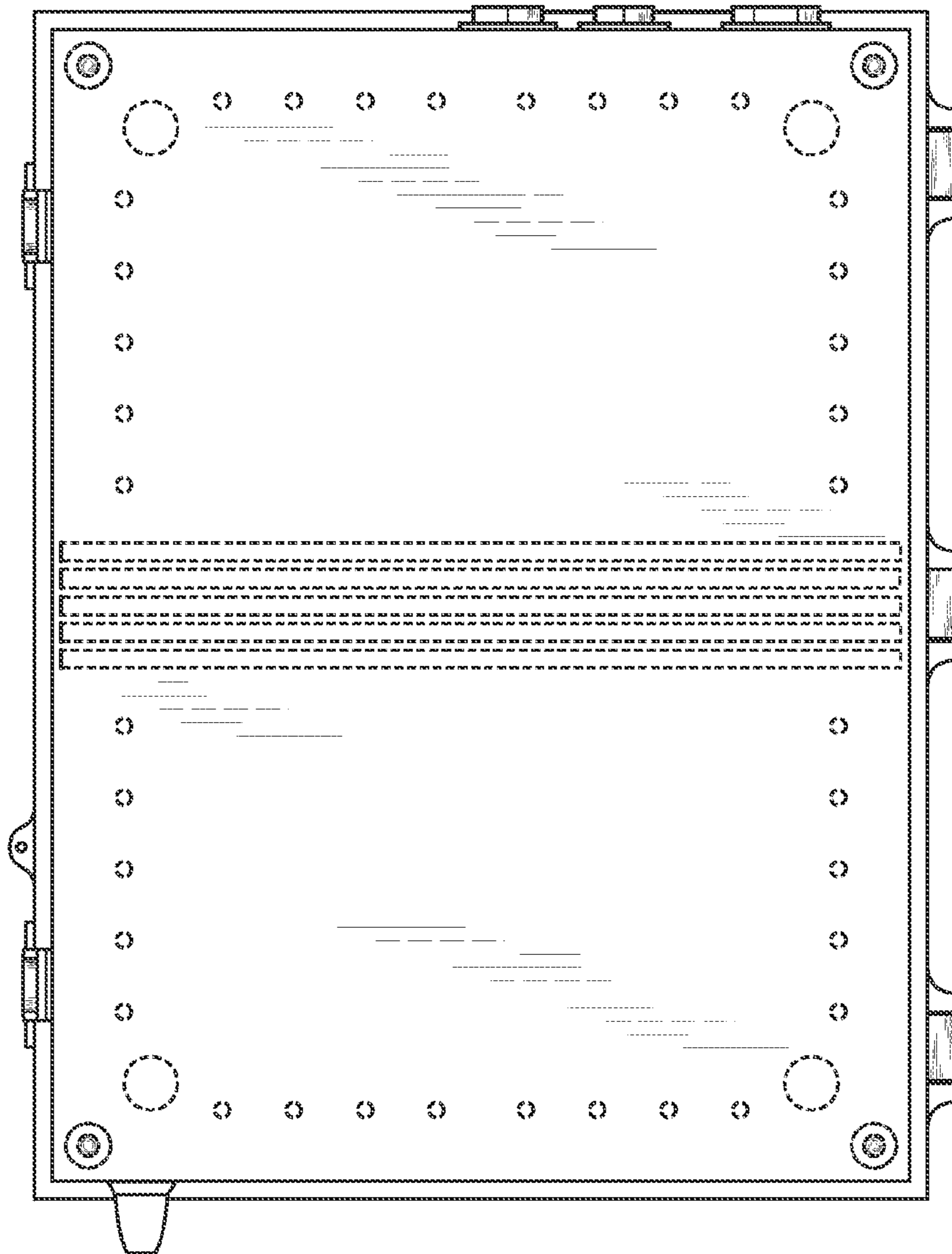


FIG. 3

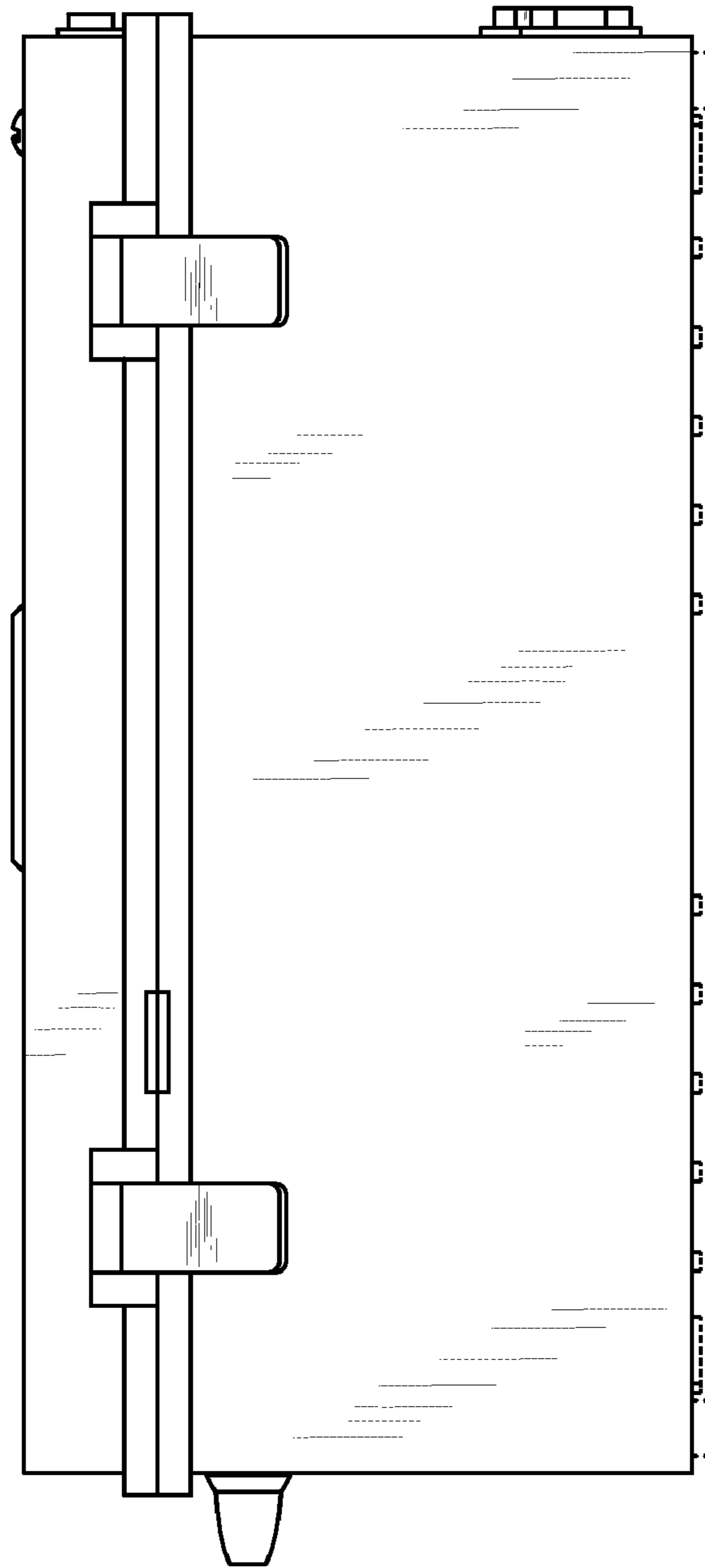


FIG. 4

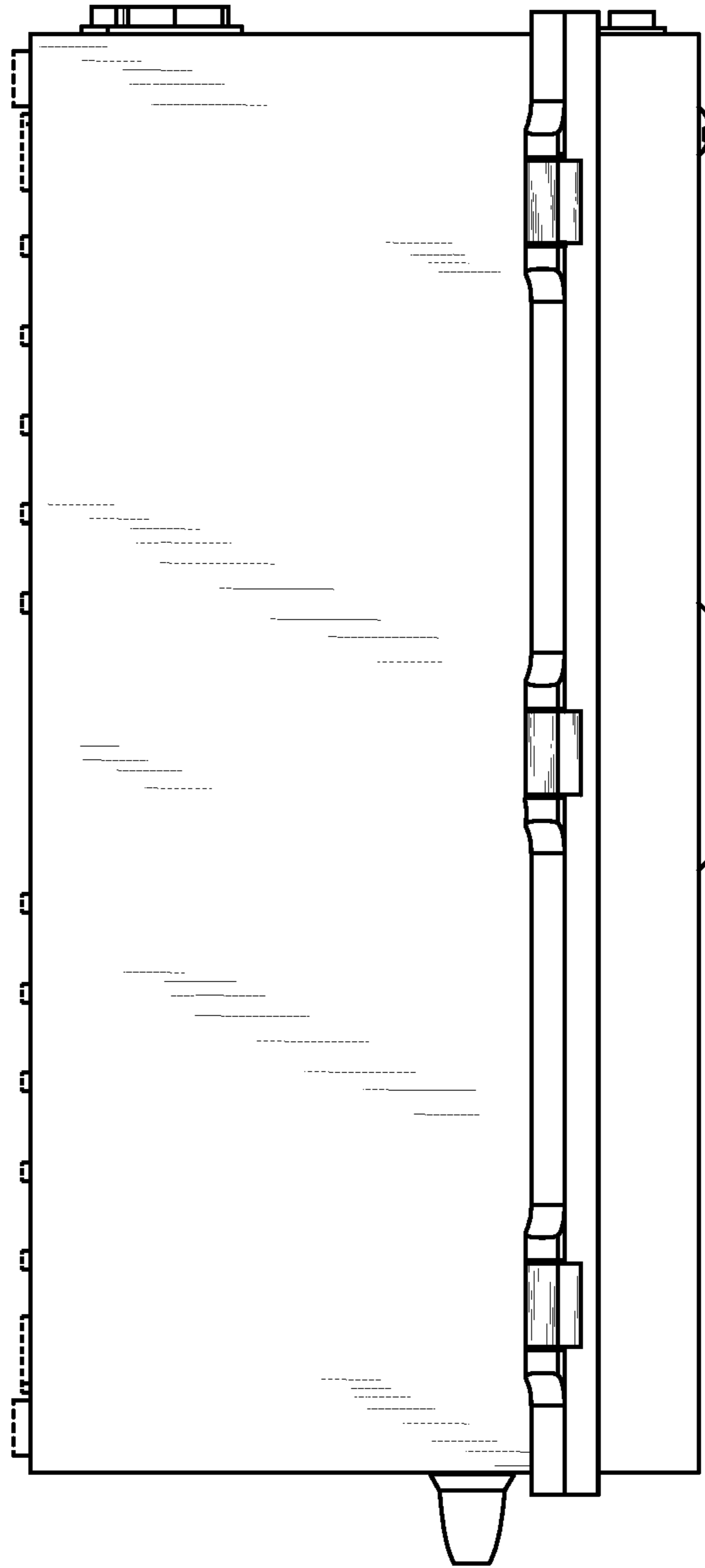


FIG. 5

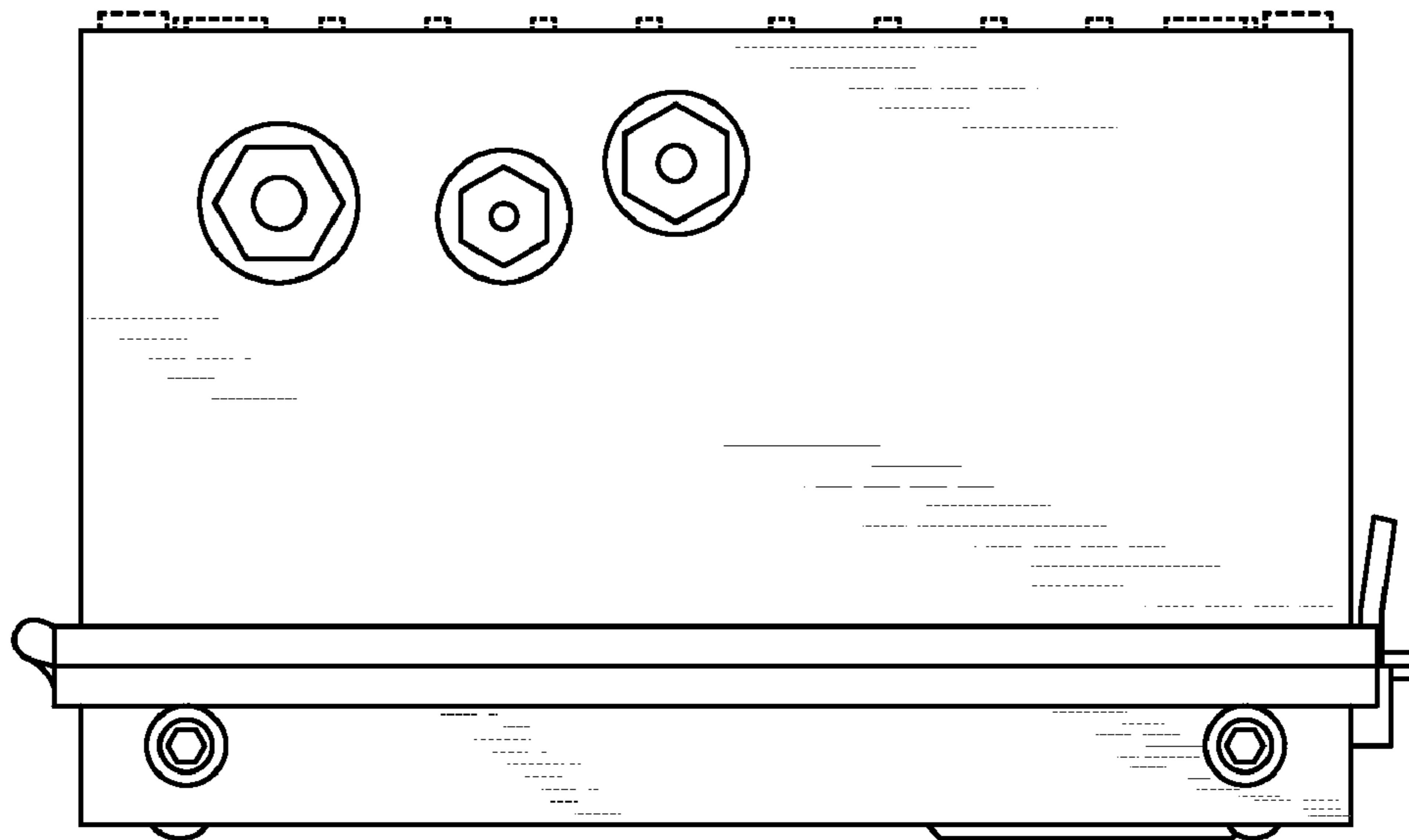


FIG. 6

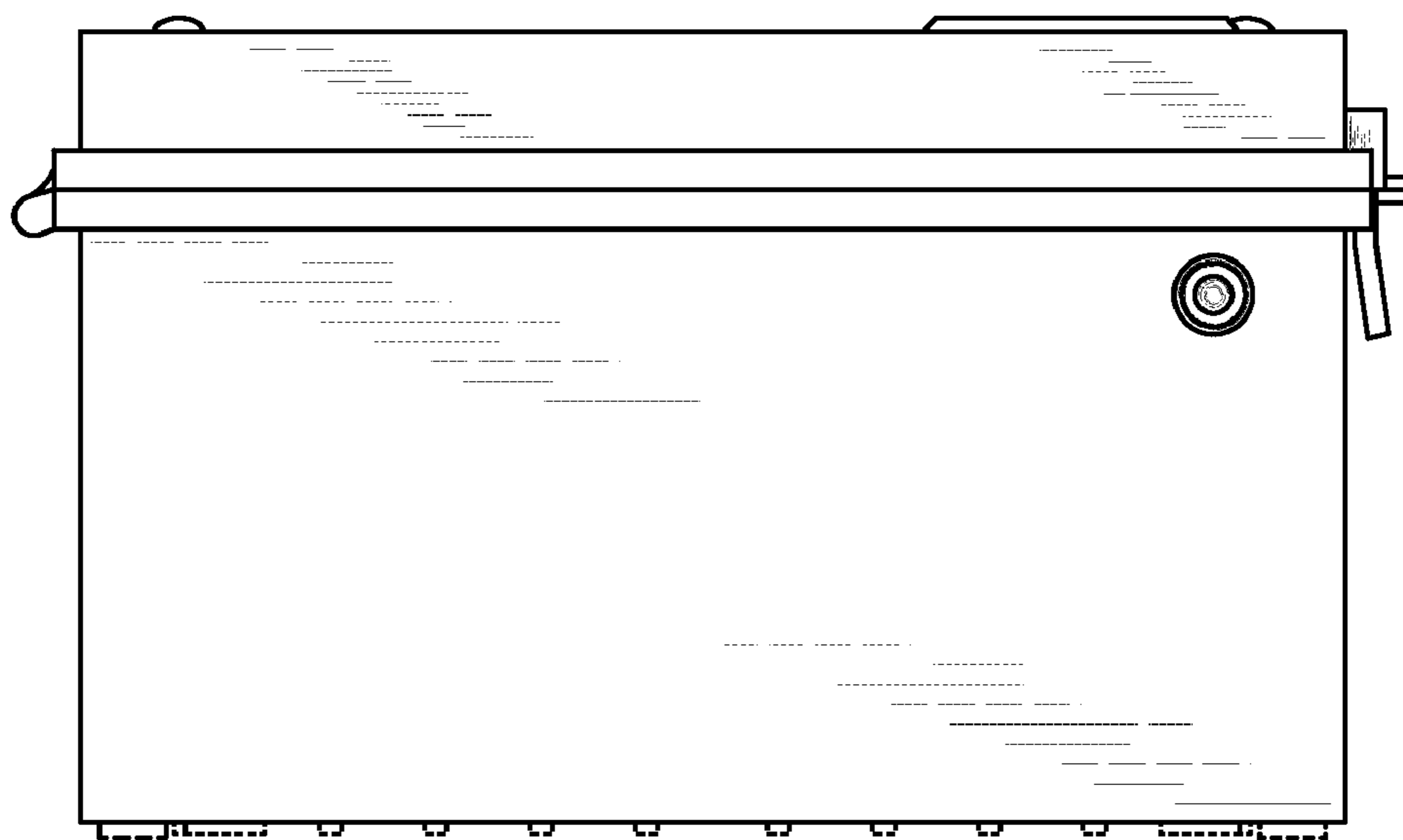


FIG. 7