



US00D645128S

(12) **United States Design Patent**
Smith et al.

(10) **Patent No.:** **US D645,128 S**
(45) **Date of Patent:** **** Sep. 13, 2011**

(54) **RADIANT HEATER**

(75) Inventors: **Scott David Smith**, North Ryde (AU);
Mark Stewart Michalowsky, Vaucluse (AU)

(73) Assignee: **Bromic Heating Pty Limited**, Sydney (AU)

(**) Term: **14 Years**

(21) Appl. No.: **29/356,424**

(22) Filed: **Feb. 25, 2010**

(51) **LOC (9) Cl.** **23-01**

(52) **U.S. Cl.** **D23/342**

(58) **Field of Classification Search** D23/317,
D23/314, 332, 333, 334, 335, 337, 342, 351,
D23/355, 378, 370, 381, 364, 336, 341, 330;
416/244 R, 247 R, 53.1-53.3; 392/365, 367
See application file for complete search history.

(56) **References Cited**

U.S. PATENT DOCUMENTS

D195,878 S * 8/1963 Zimmerman D23/328
(Continued)

Primary Examiner — T. Chase Nelson

Assistant Examiner — Ania Dworzecka

(74) *Attorney, Agent, or Firm* — The Maxham Firm

(57) **CLAIM**

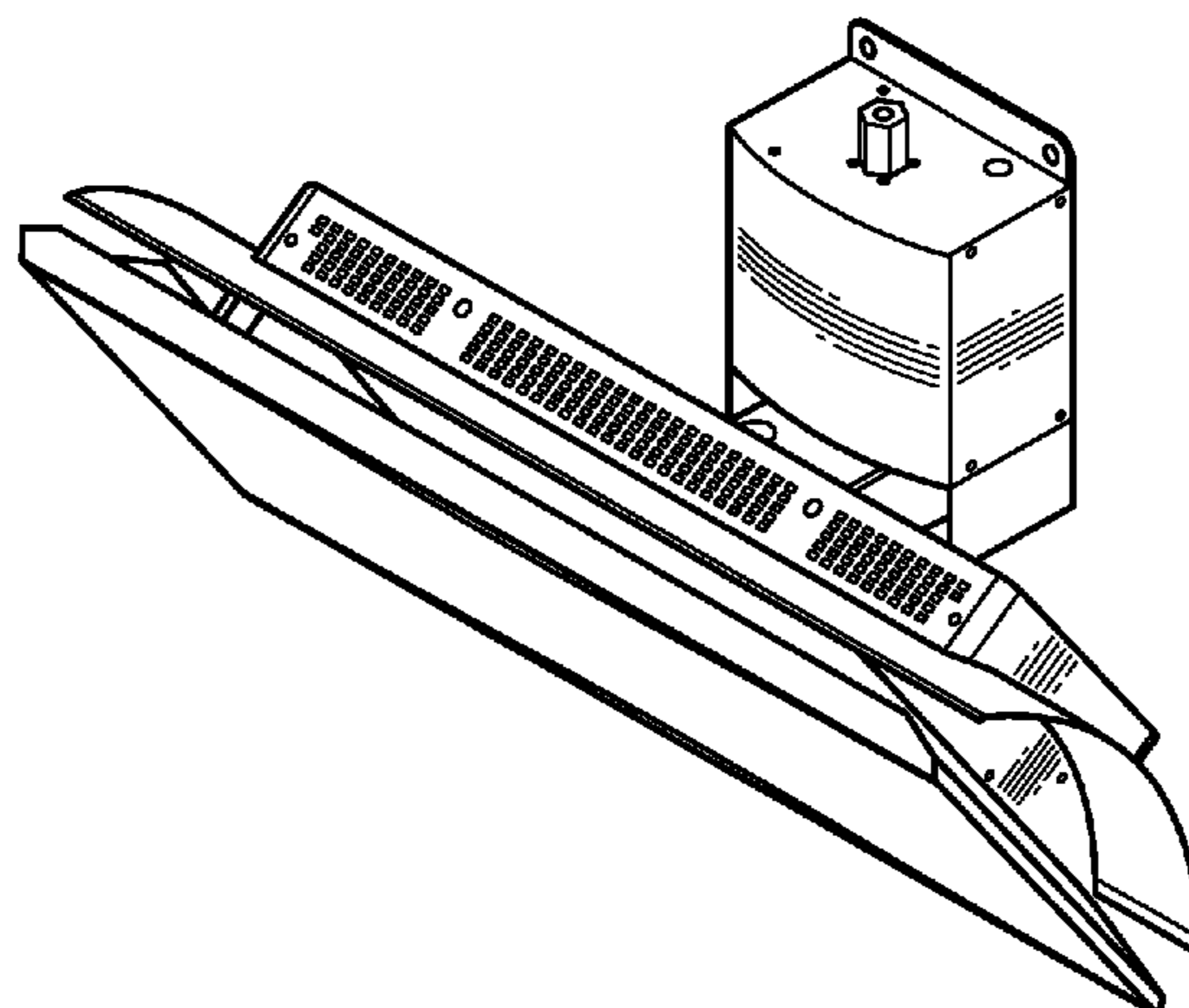
The ornamental design for a radiant heater, as shown and described.

DESCRIPTION

FIG. 1 is an isometric view of a first embodiment of the radiant heater according to the invention, showing the front glass as flat with a curved glass retainer, and with a sail; FIG. 2 is a left end view of the radiant heater in FIG. 1, the right end view being a mirror image thereof; FIG. 3 is a front face view of the heater element of FIG. 1;

FIG. 4 is a top view of the radiant heater of FIG. 1; FIG. 5 is a bottom view of the radiant heater of FIG. 1; FIG. 6 is a front elevation view of the radiant heater of FIG. 1; FIG. 7 is an isometric view of a second embodiment of the radiant heater according to the invention, showing the front glass as flat with a straight glass retainer, and with a sail; FIG. 8 is a left end view of the radiant heater in FIG. 7, the right end view being a mirror image thereof; FIG. 9 is a front face view of the heater element of FIG. 7; FIG. 10 is a top view of the radiant heater of FIG. 7; FIG. 11 is a bottom view of the radiant heater of FIG. 7; FIG. 12 is a front elevation view of the radiant heater of FIG. 7; FIG. 13 is an isometric view of a third embodiment of the radiant heater according to the invention, showing the front glass as flat with an L-shape (top left, bottom right) glass retainer, and with a sail; FIG. 14 is a left end view of the radiant heater in FIG. 13, the right end view being a mirror image thereof; FIG. 15 is a front face view of the heater element of FIG. 13; FIG. 16 is a top view of the radiant heater of FIG. 13; FIG. 17 is a bottom view of the radiant heater of FIG. 13; FIG. 18 is a front elevation view of the radiant heater of FIG. 13; FIG. 19 is an isometric view of a fourth embodiment of the radiant heater according to the invention, showing the front glass as flat with an apex glass retainer, and with a sail; FIG. 20 is a left end view of the radiant heater in FIG. 19, the right end view being a mirror image thereof; FIG. 21 is a front face view of the heater element of FIG. 19; FIG. 22 is a top view of the radiant heater of FIG. 19; FIG. 23 is a bottom view of the radiant heater of FIG. 19; FIG. 24 is a front elevation view of the radiant heater of FIG. 19; FIG. 25 is an isometric view of a fifth embodiment of the radiant heater according to the invention, showing the front glass as flat with an L-shaped (top right, bottom left) glass retainer, and with a sail; FIG. 26 is a left end view of the radiant heater in FIG. 25, the right end view being a mirror image thereof; FIG. 27 is a front face view of the heater element of FIG. 25; FIG. 28 is a top view of the radiant heater of FIG. 25; FIG. 29 is a bottom view of the radiant heater of FIG. 25; and, FIG. 30 is a front elevation view of the radiant heater of FIG. 25.

1 Claim, 10 Drawing Sheets



US D645,128 S

Page 2

U.S. PATENT DOCUMENTS

D225,639 S *	12/1972	Smith	D23/385	D558,865 S	1/2008	Yoo et al.	
D282,202 S *	1/1986	Ellersick	D15/144.1	D619,231 S *	7/2010	Yeung D23/317
D379,650 S	6/1997	Smith et al.			D627,450 S *	11/2010	Hall et al. D23/332
6,334,439 B1 *	1/2002	Specht et al.	126/91 A	D627,451 S *	11/2010	Hall et al. D23/332
7,013,080 B1	3/2006	Kaplanis et al.			D627,868 S *	11/2010	Hall et al. D23/332
D534,627 S	1/2007	Stokes			2004/0026400 A1	2/2004	Ptak	
D545,420 S	6/2007	Jacobsen			2006/0198084 A1 *	9/2006	Hall et al. 361/600
D551,327 S *	9/2007	Lamanna	D23/314	2008/0152329 A1 *	6/2008	Saunders et al. 392/407

* cited by examiner

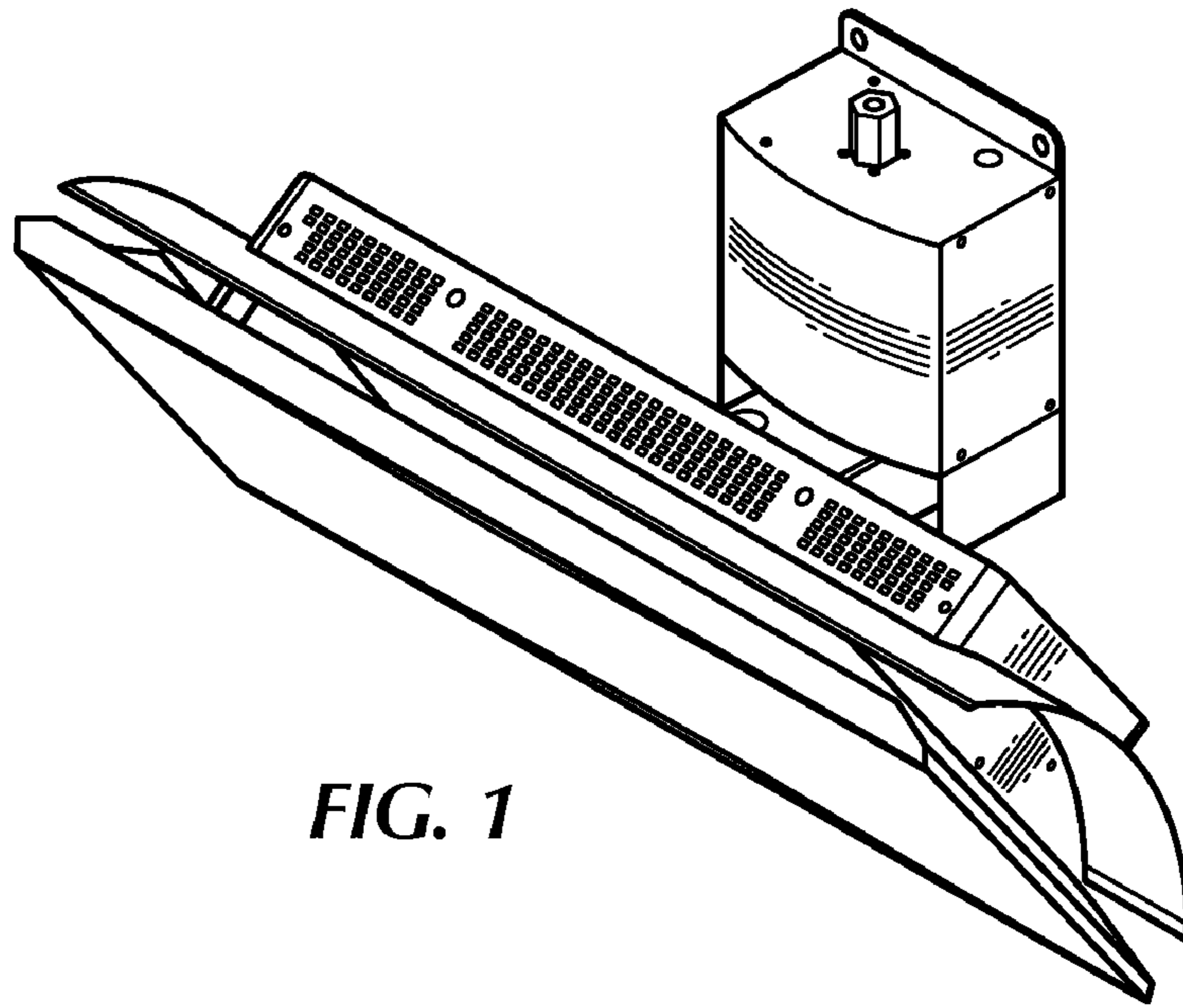


FIG. 1

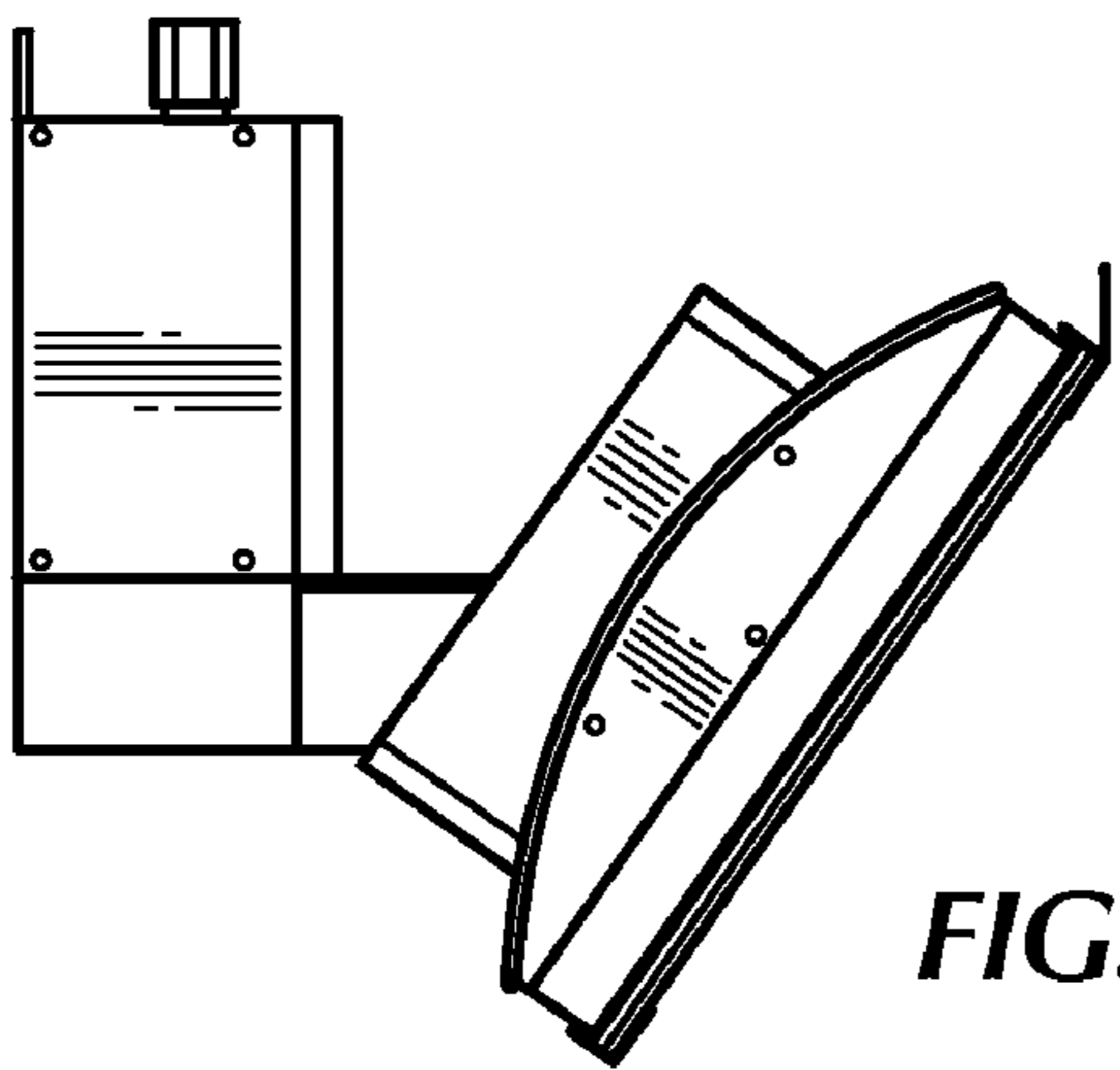


FIG. 2

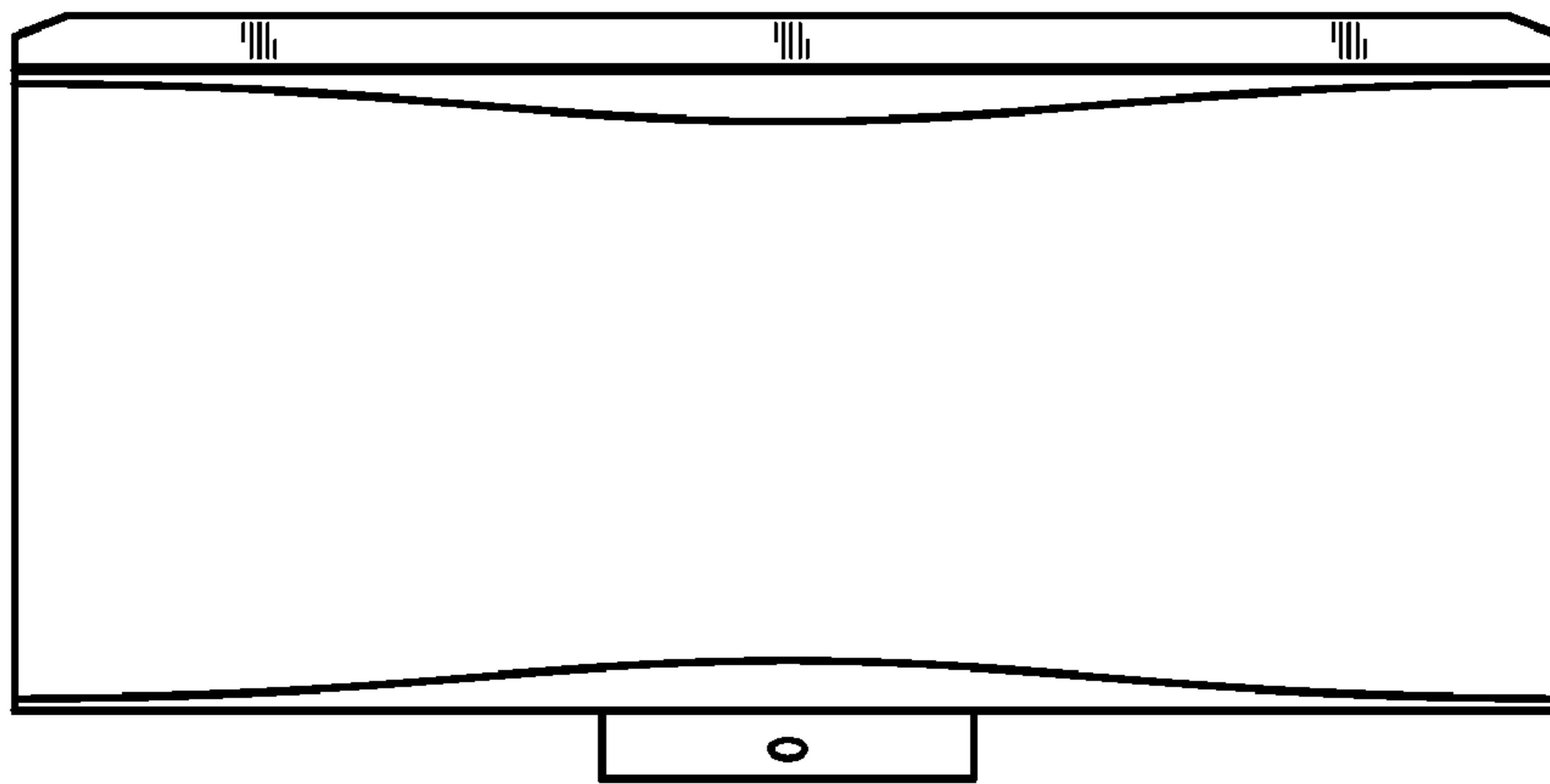


FIG. 3

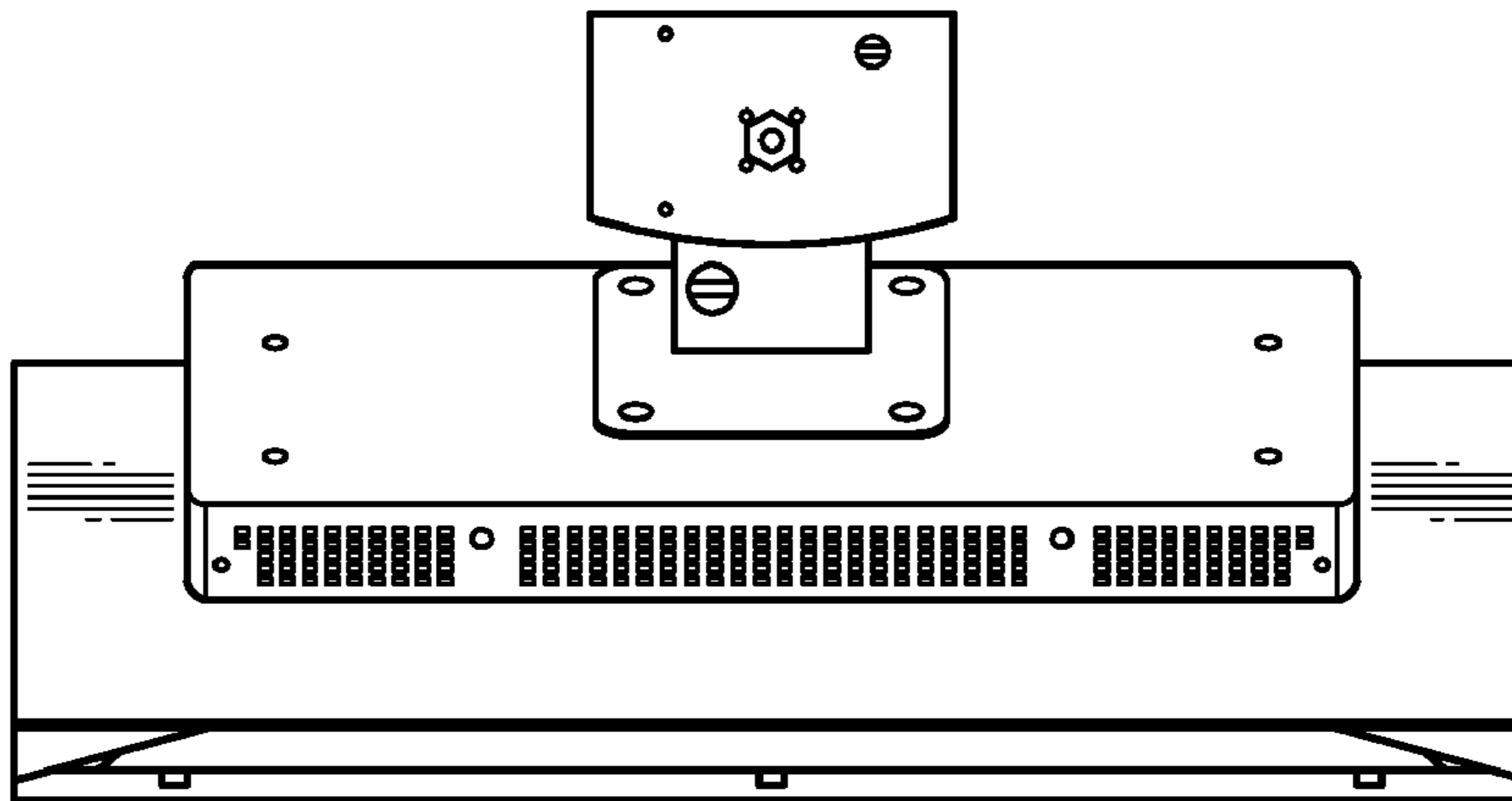


FIG. 4

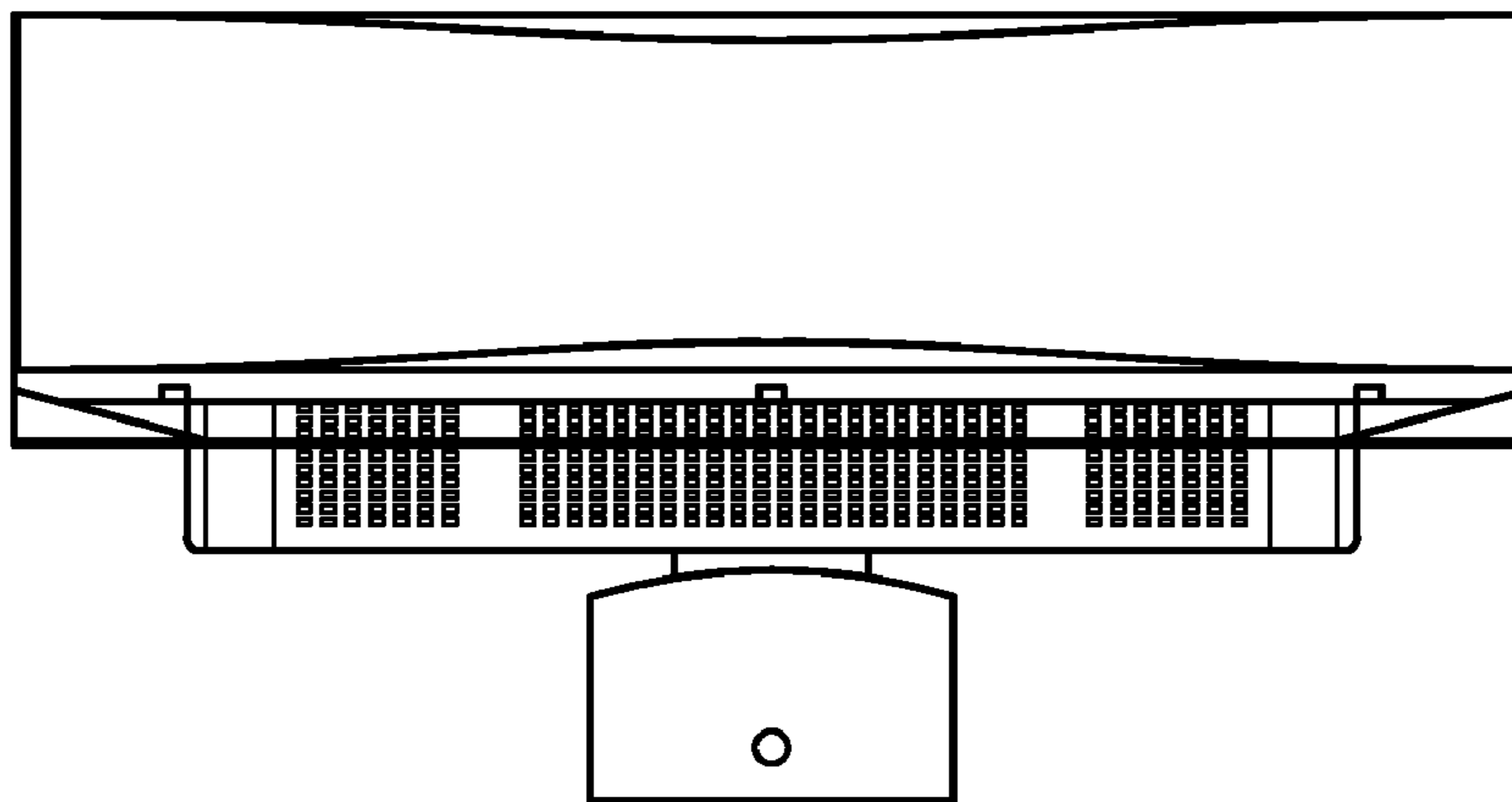


FIG. 5

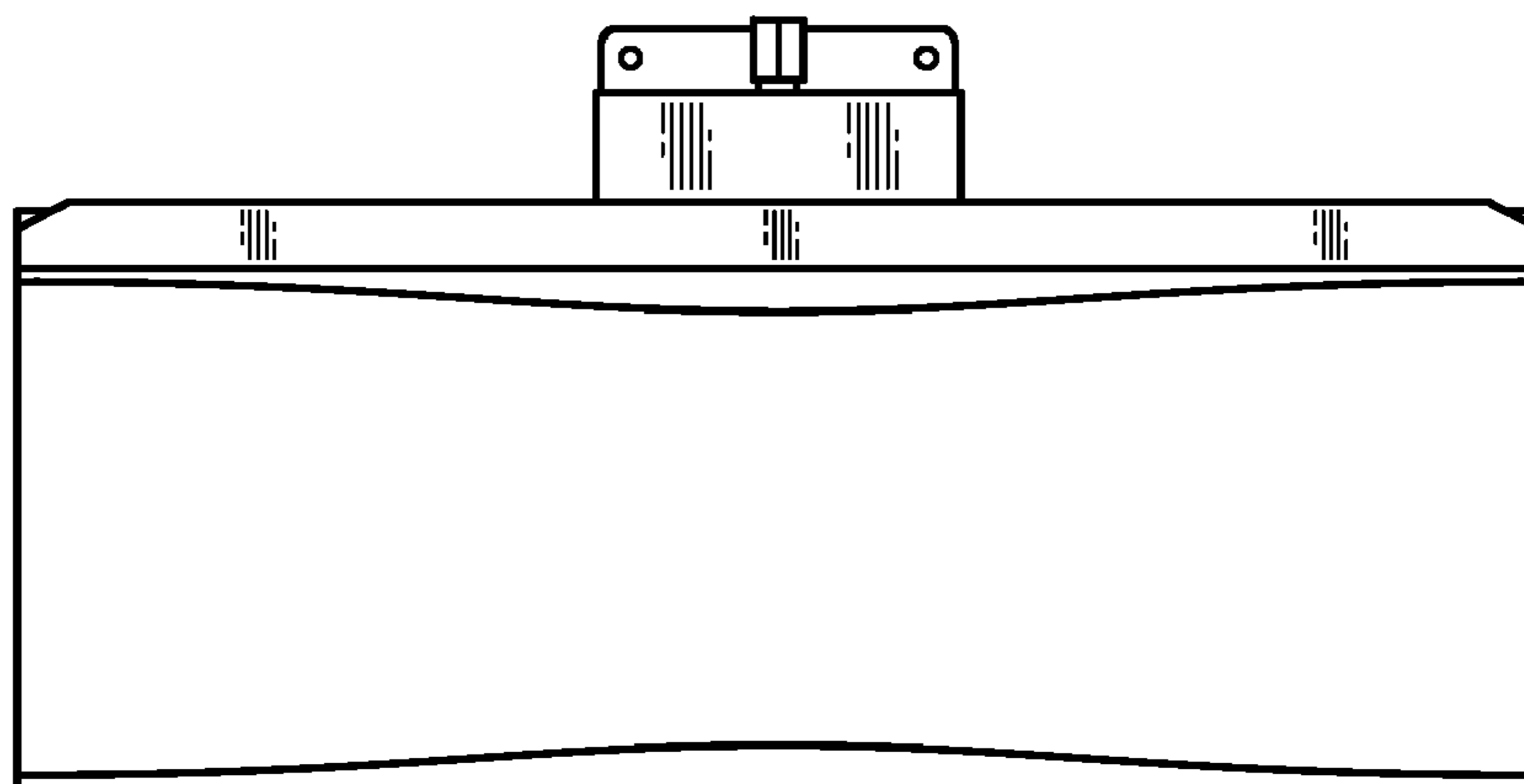


FIG. 6

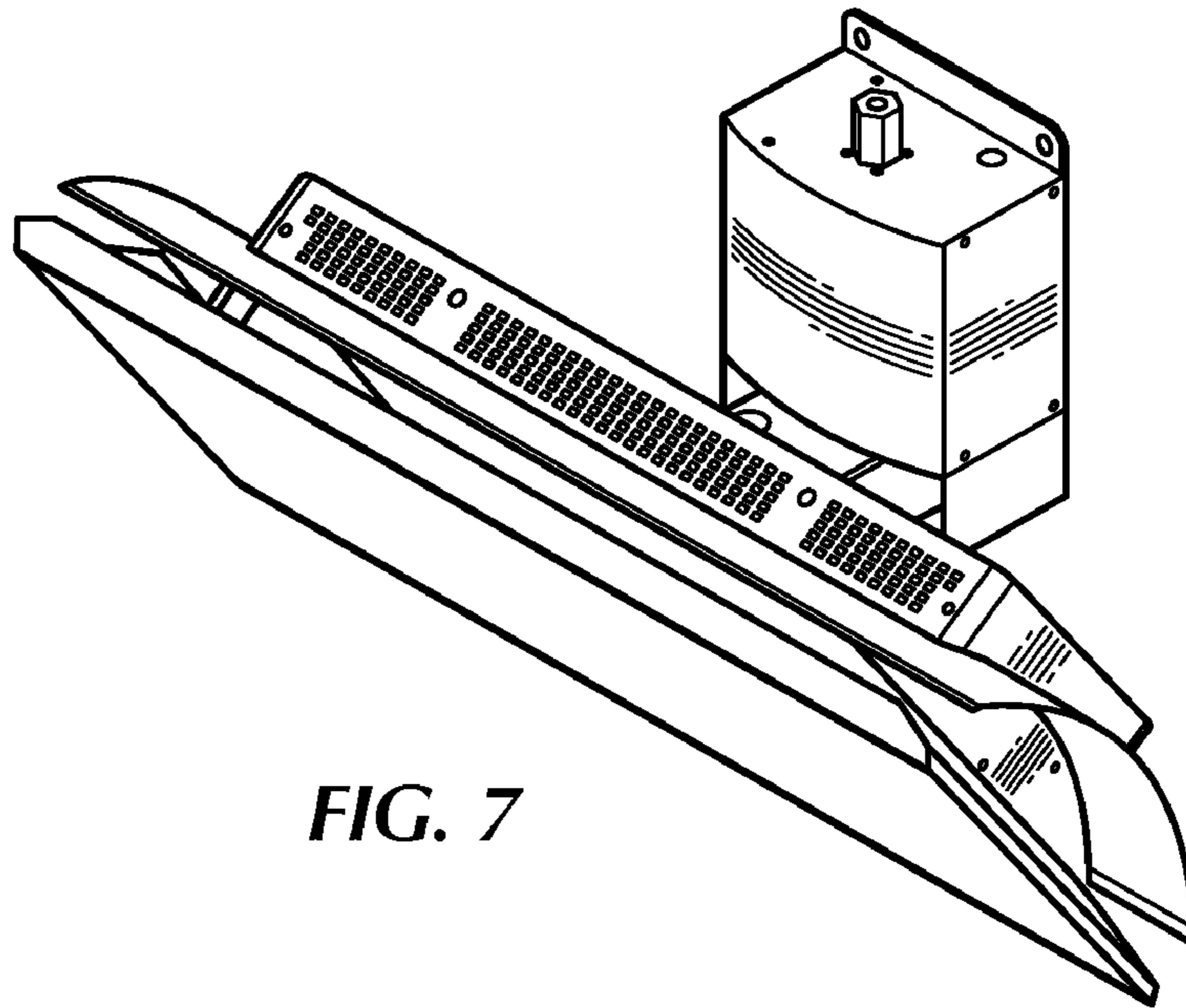


FIG. 7

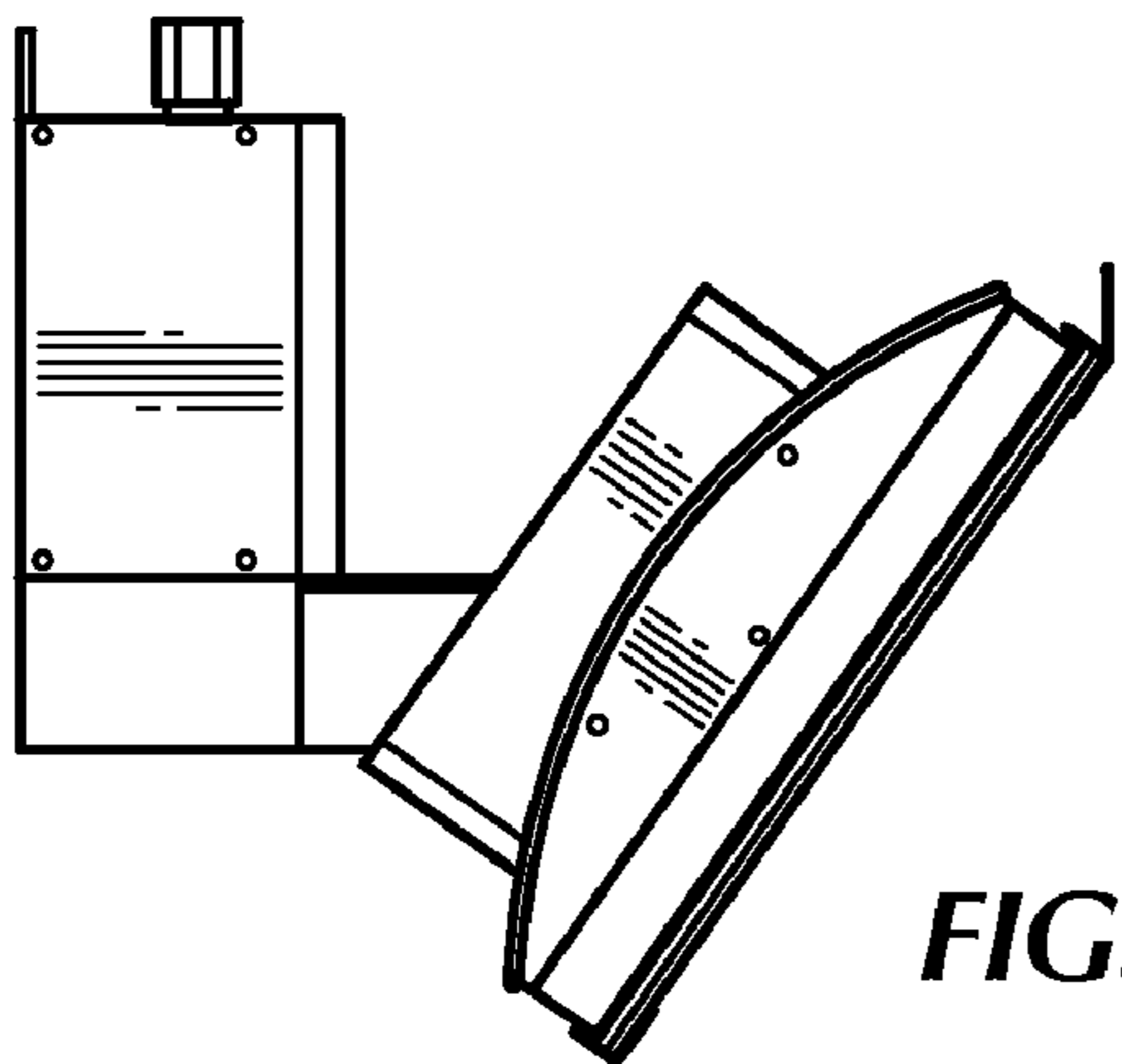


FIG. 8

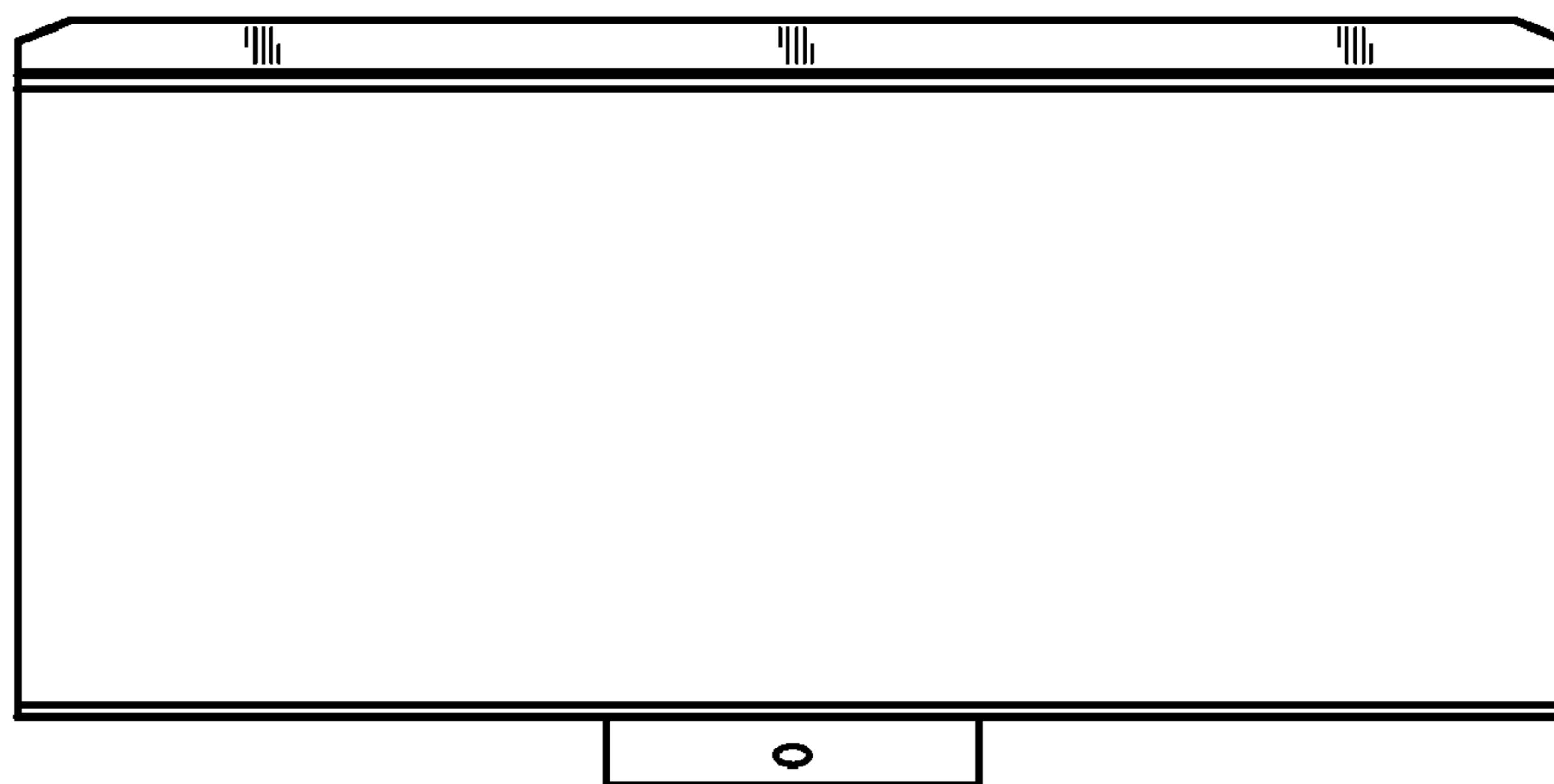


FIG. 9

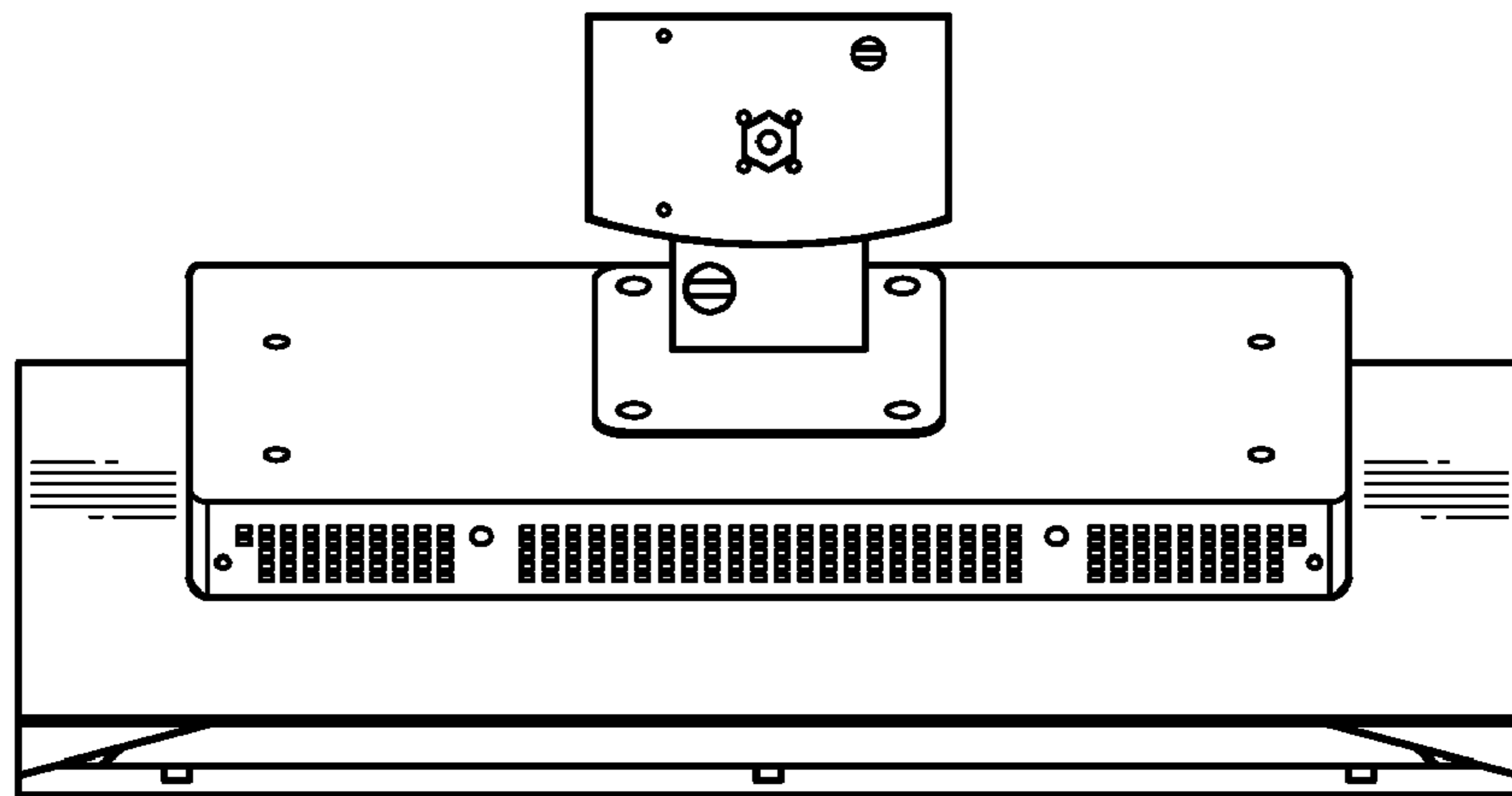


FIG. 10

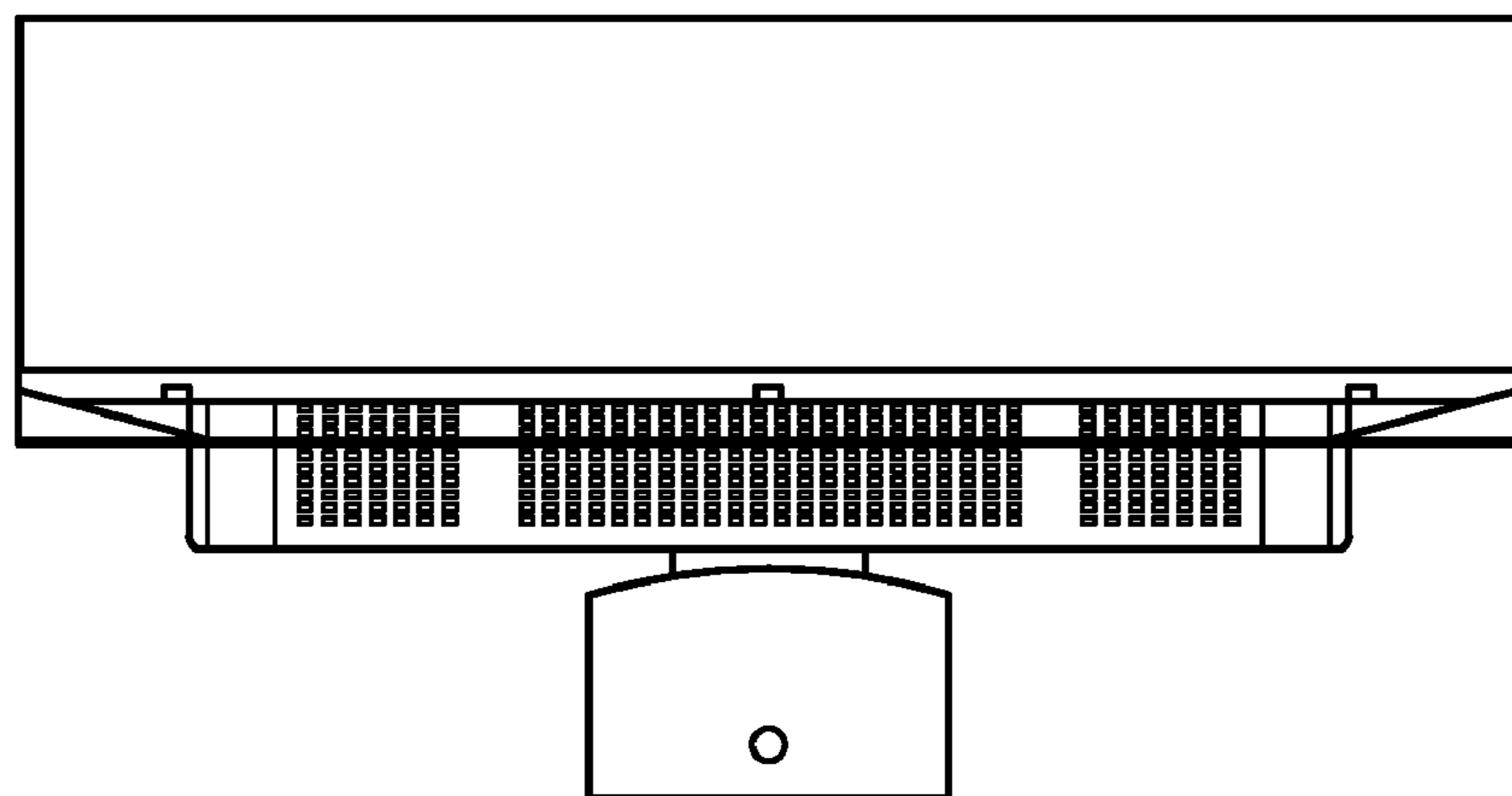


FIG. 11

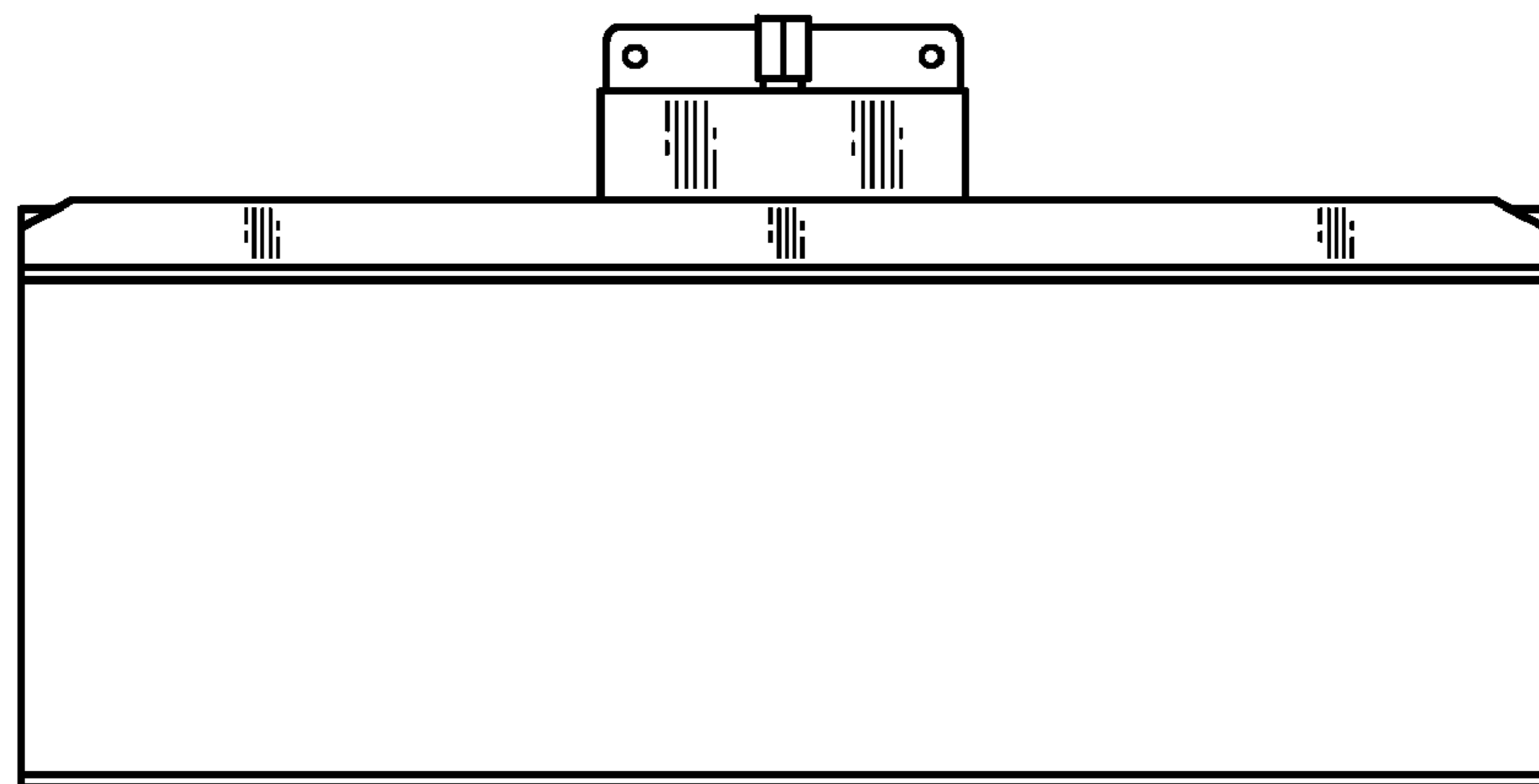


FIG. 12

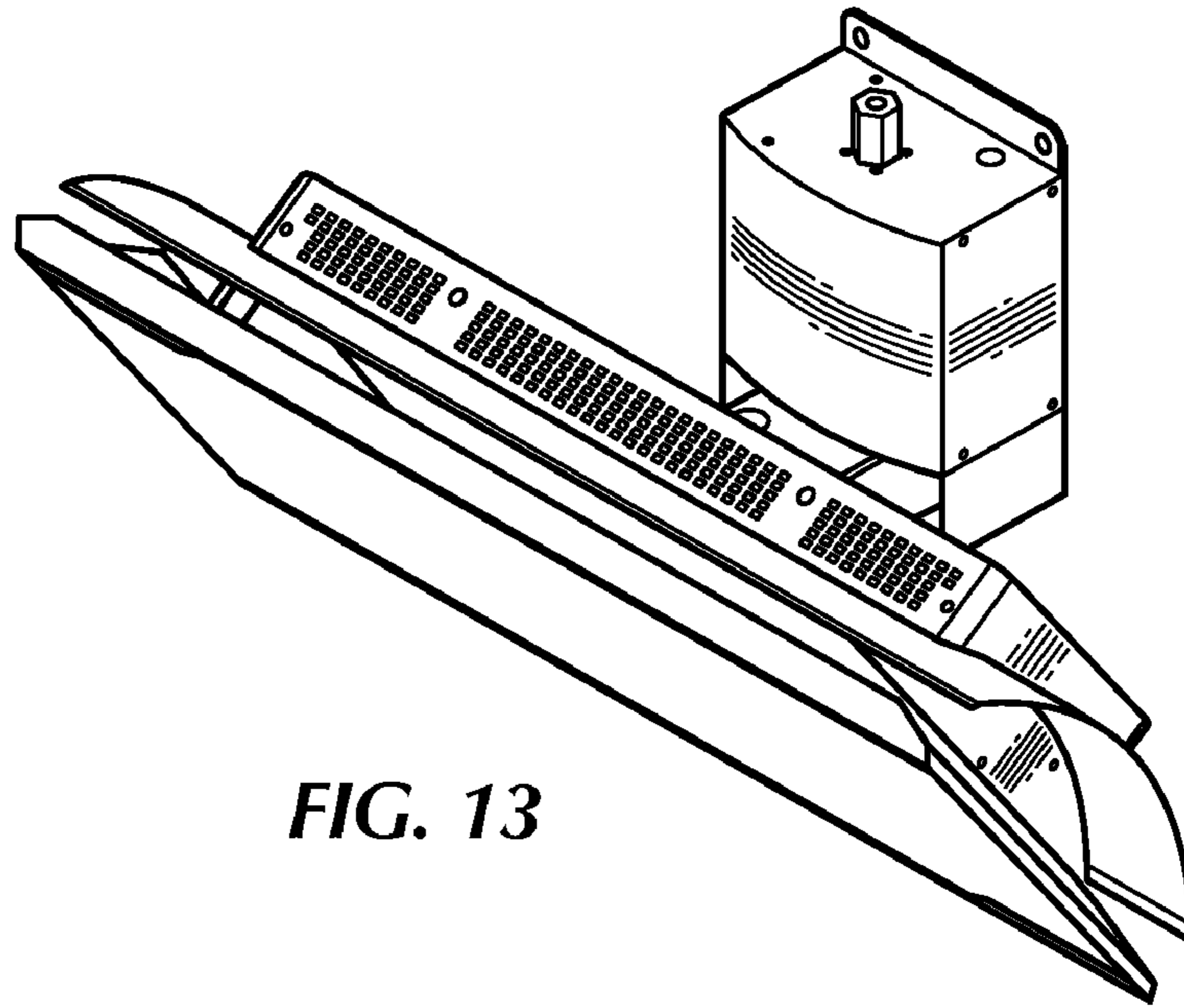


FIG. 13

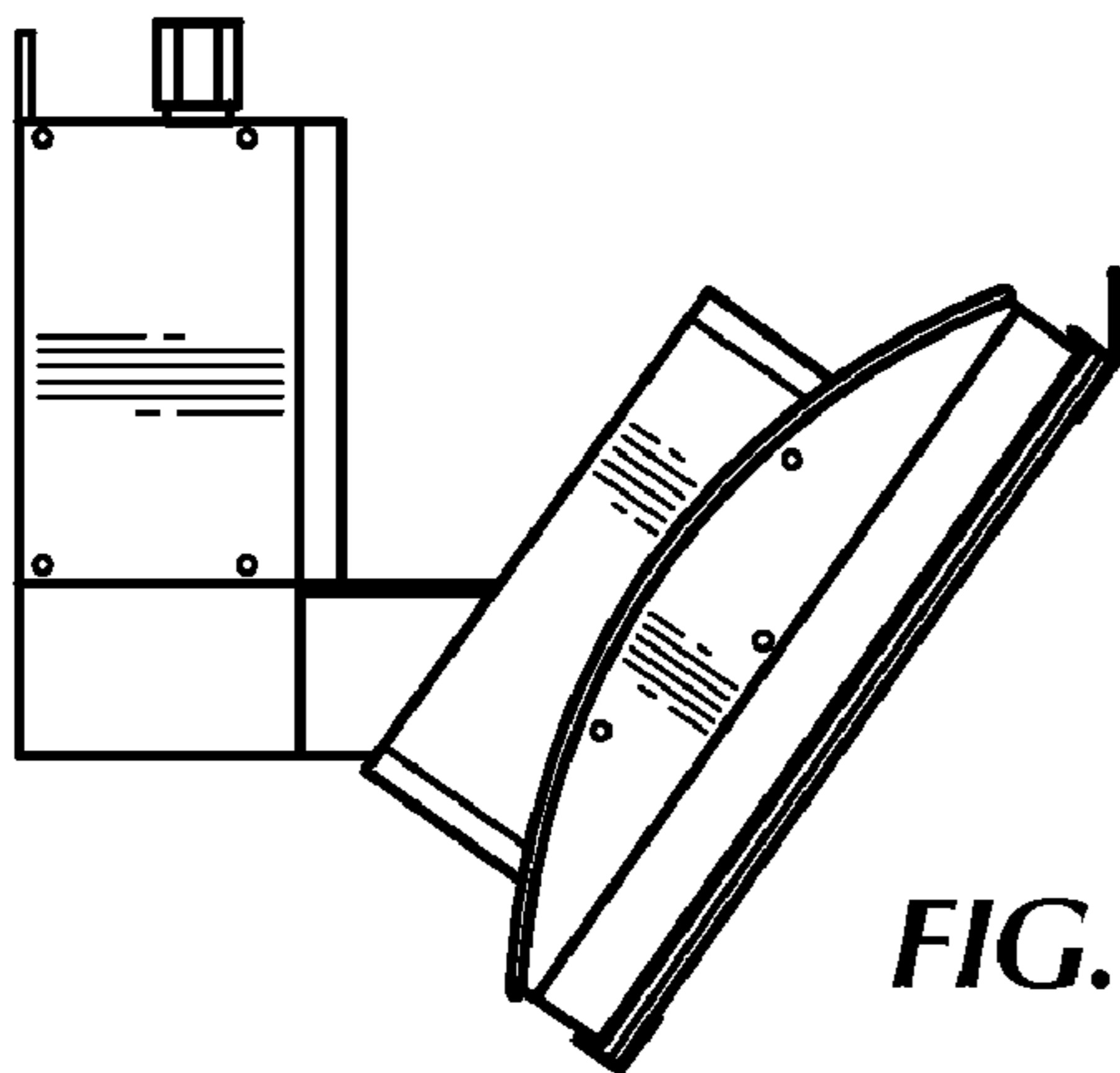


FIG. 14

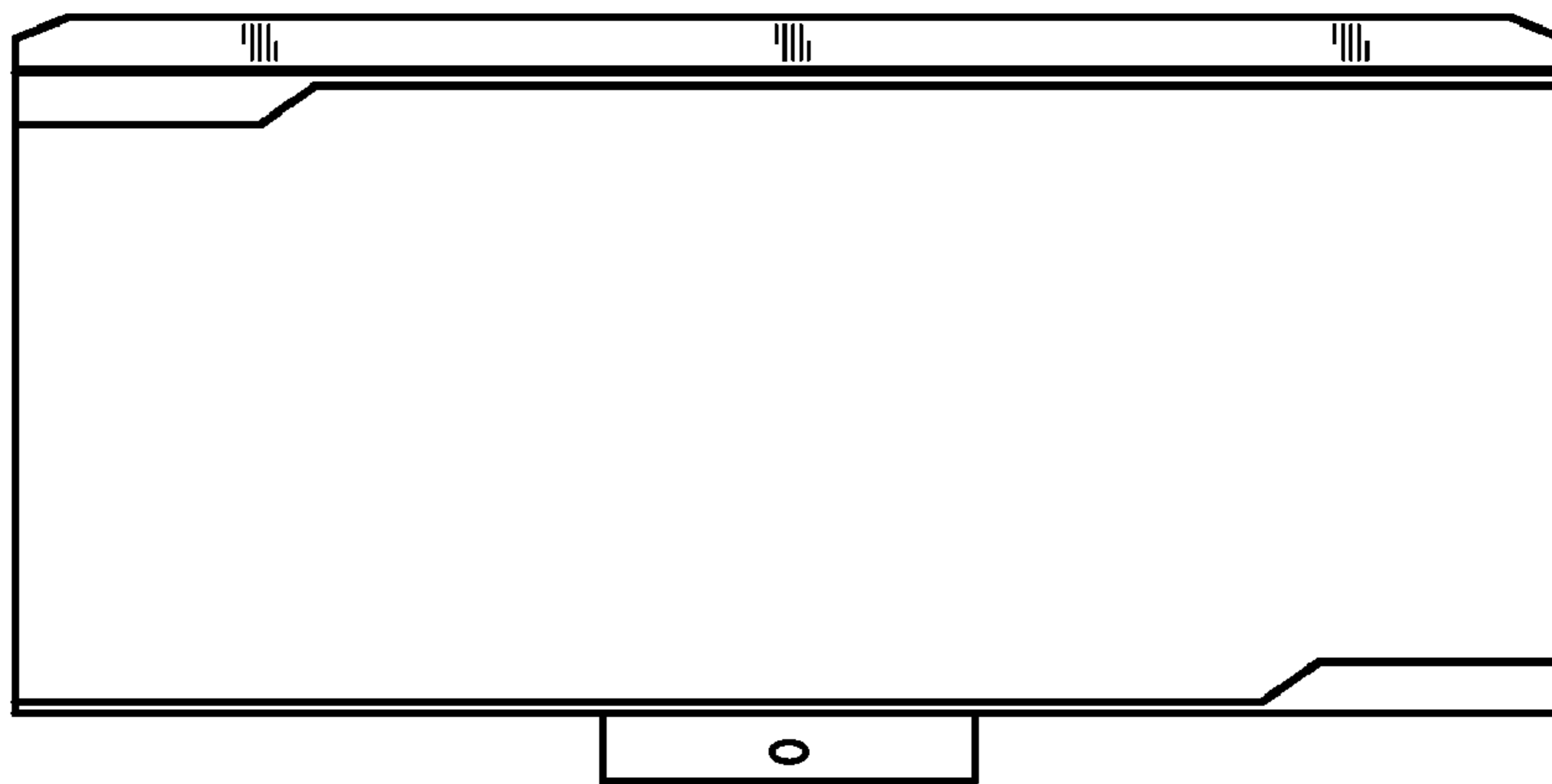


FIG. 15

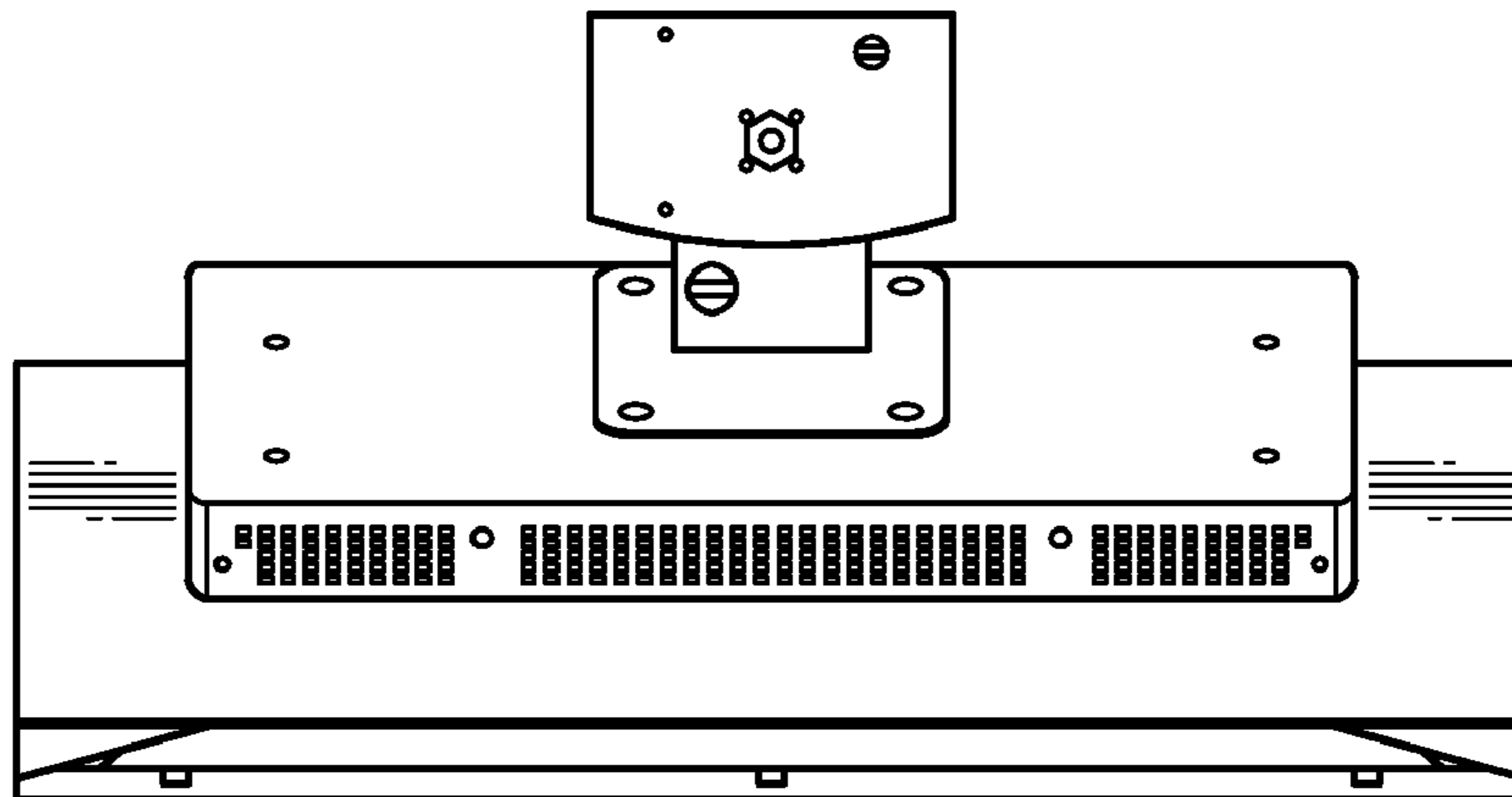


FIG. 16

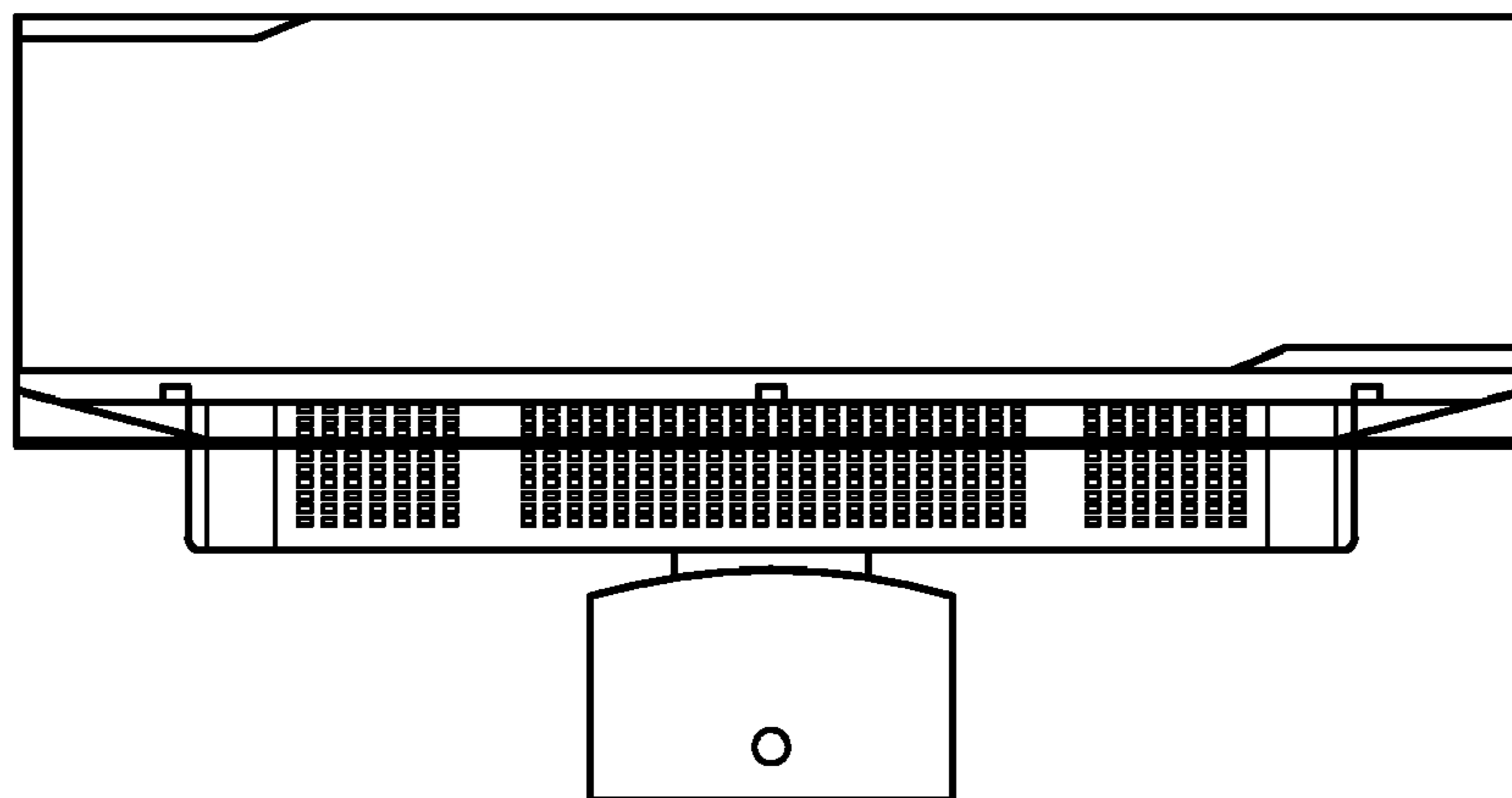


FIG. 17

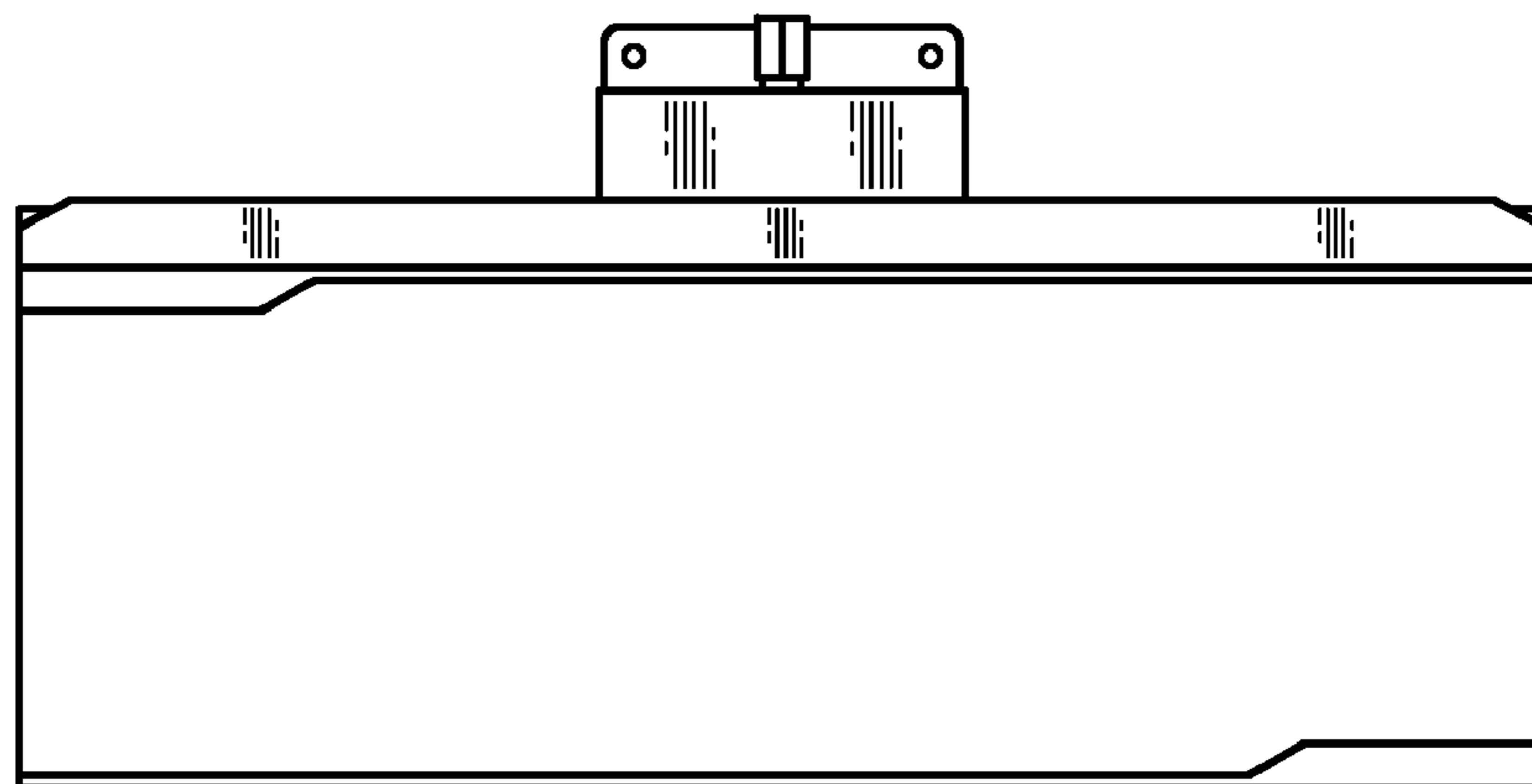


FIG. 18

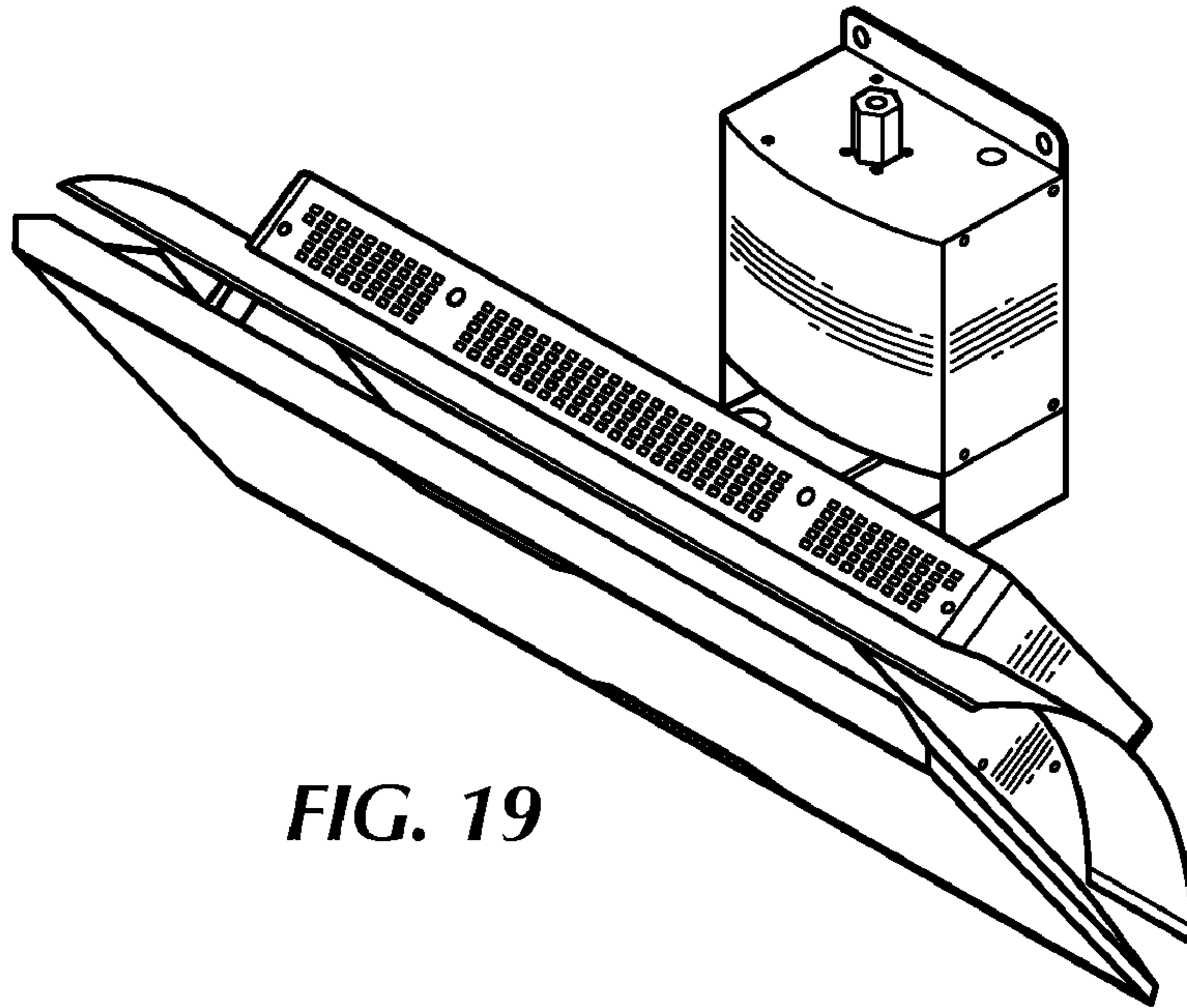


FIG. 19

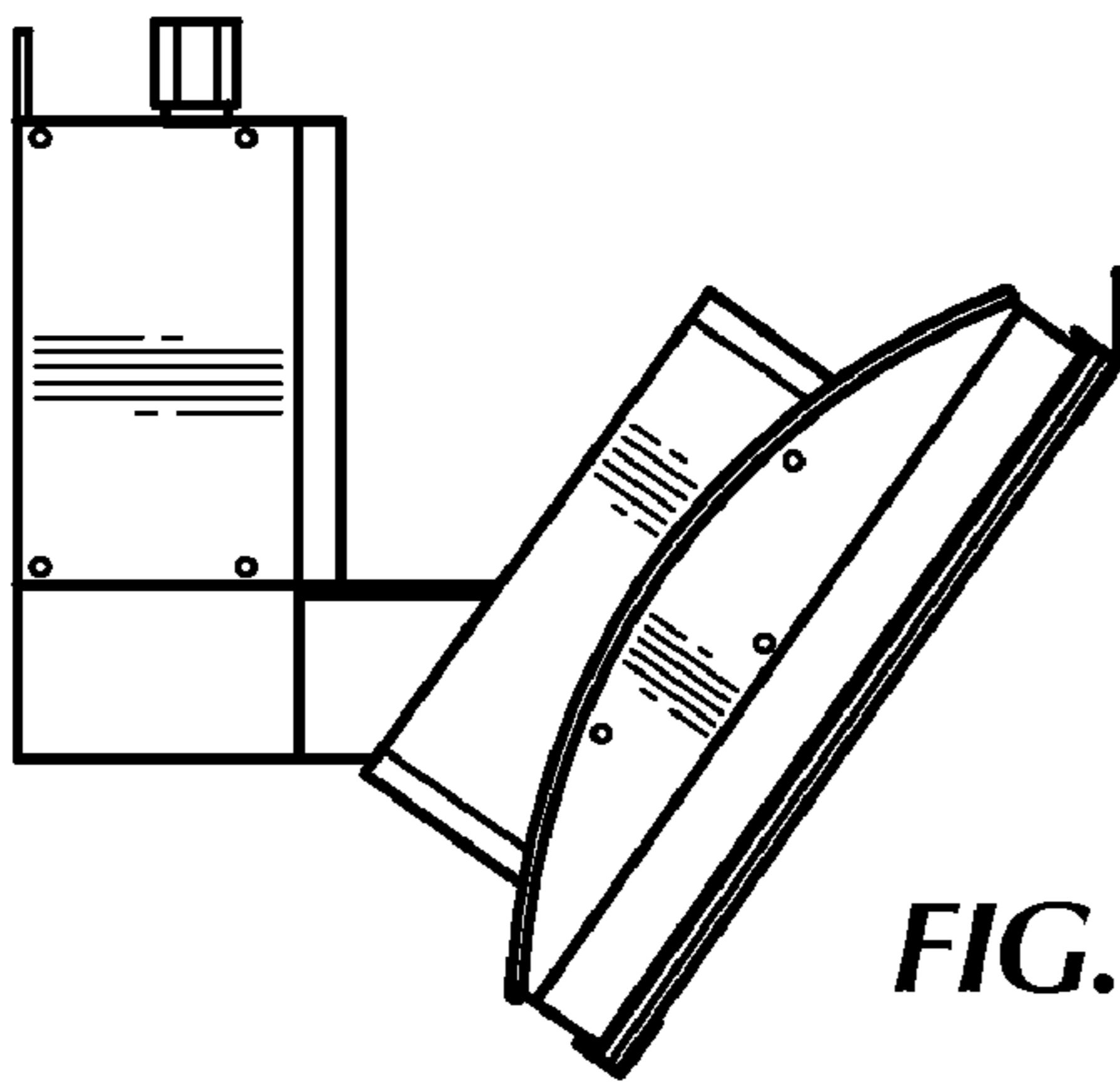


FIG. 20

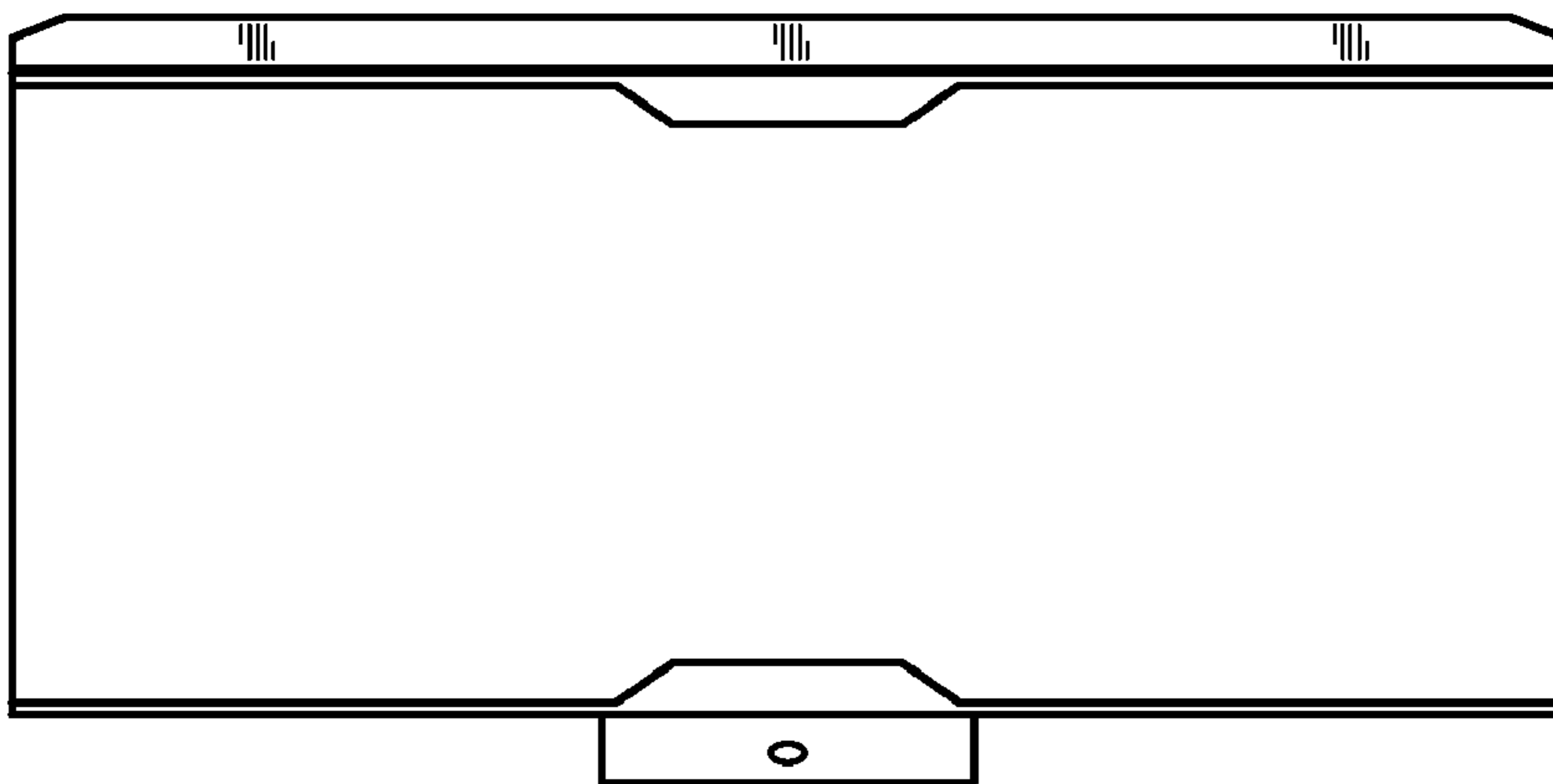


FIG. 21

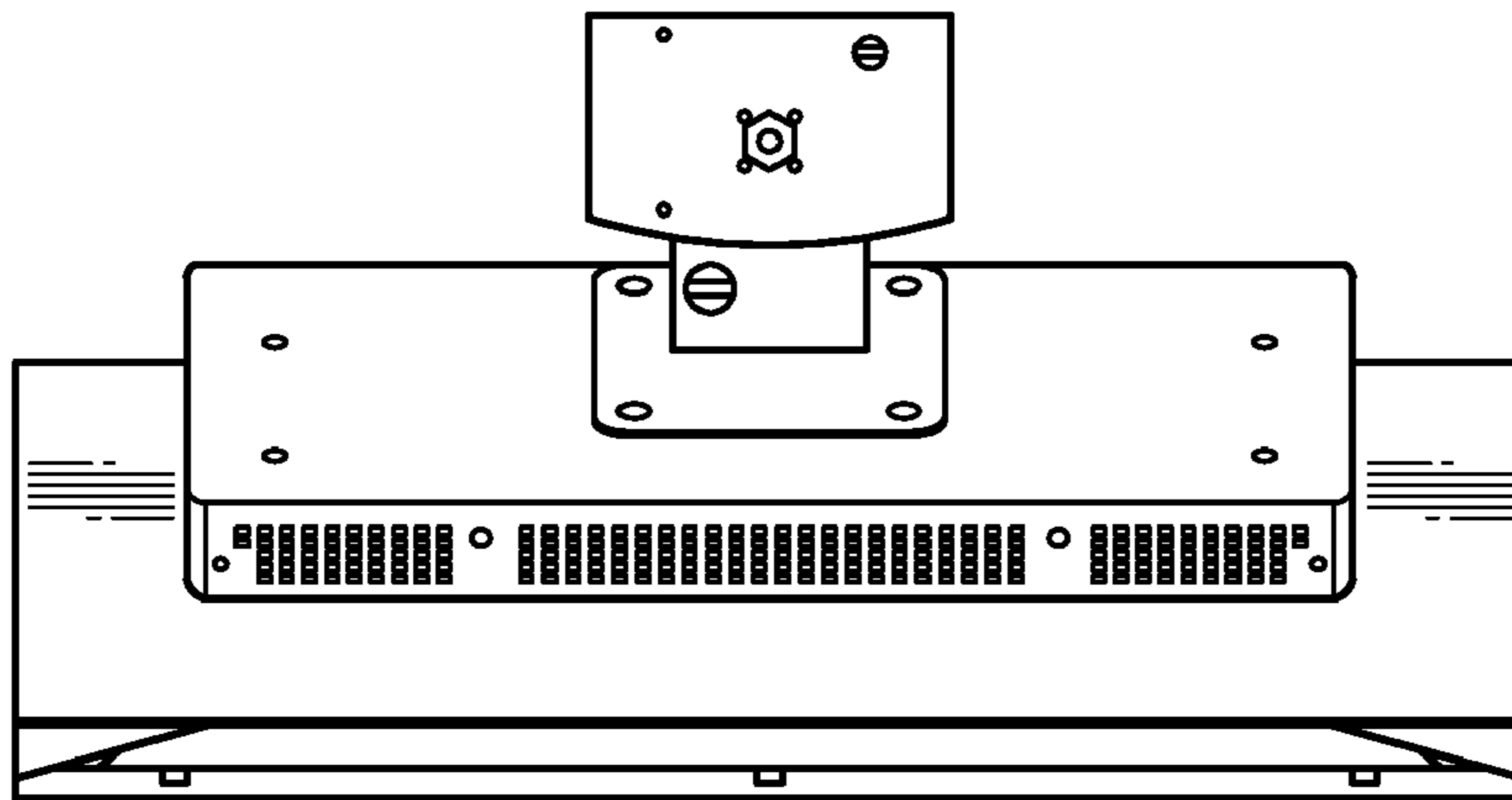


FIG. 22

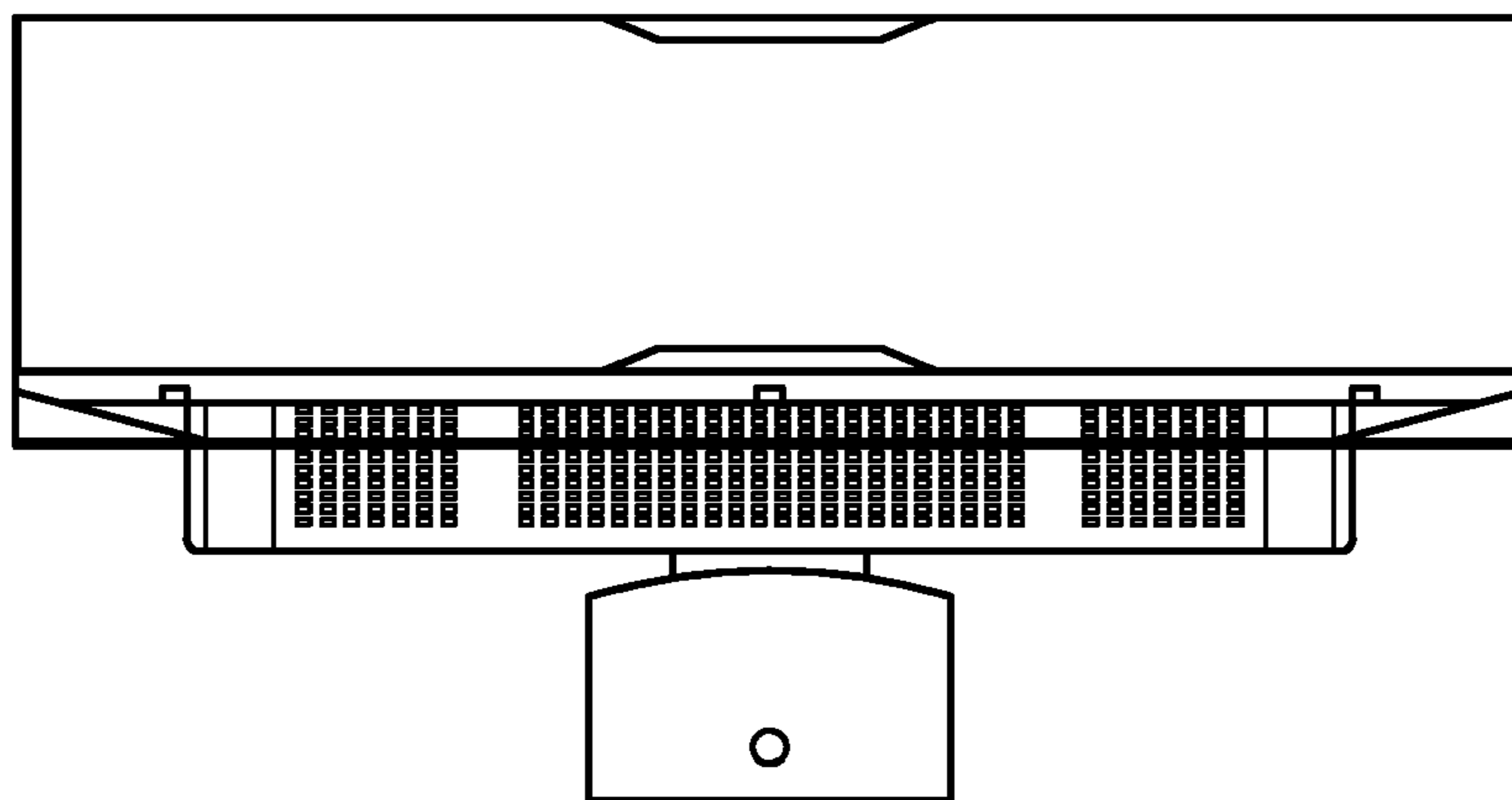


FIG. 23

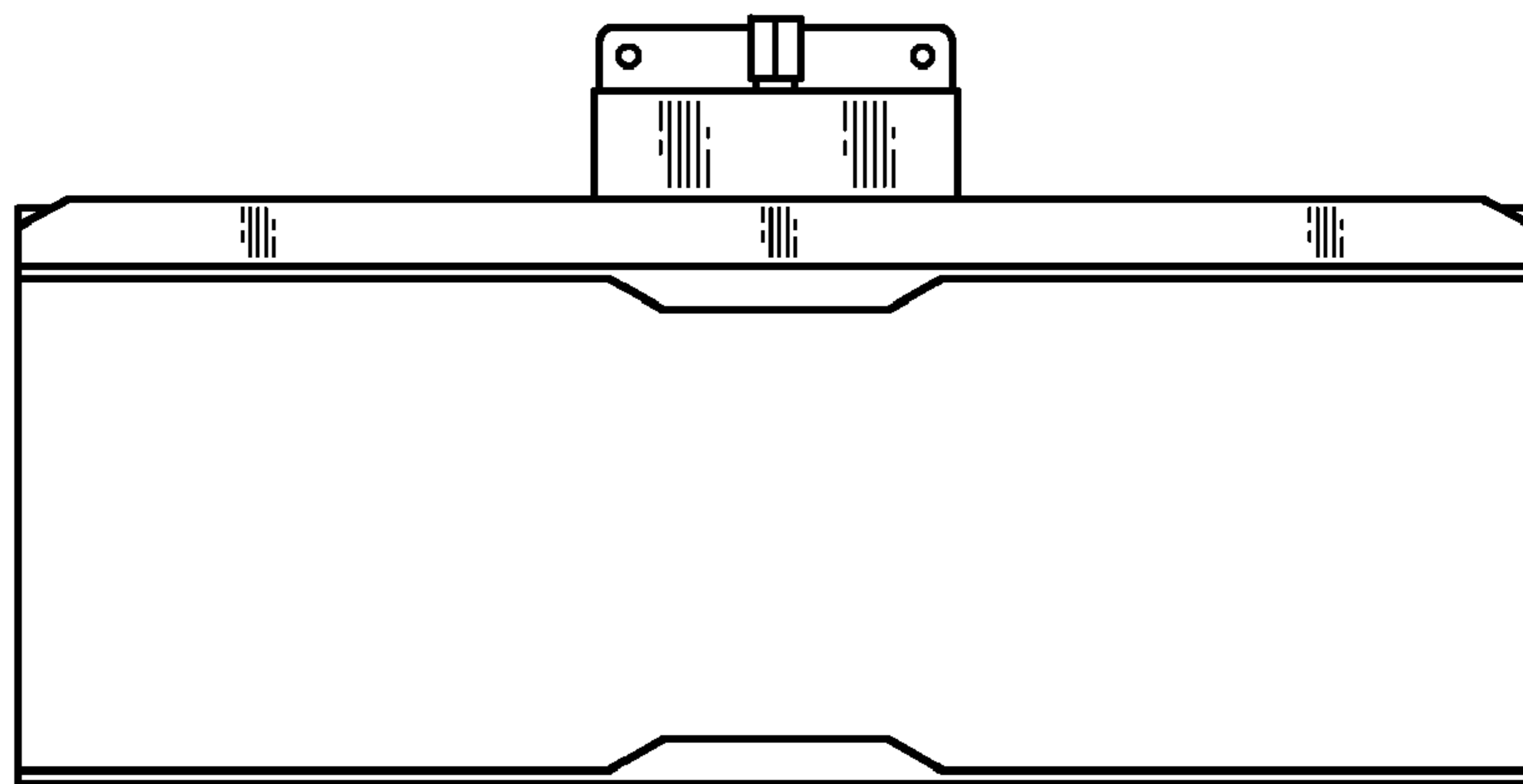


FIG. 24

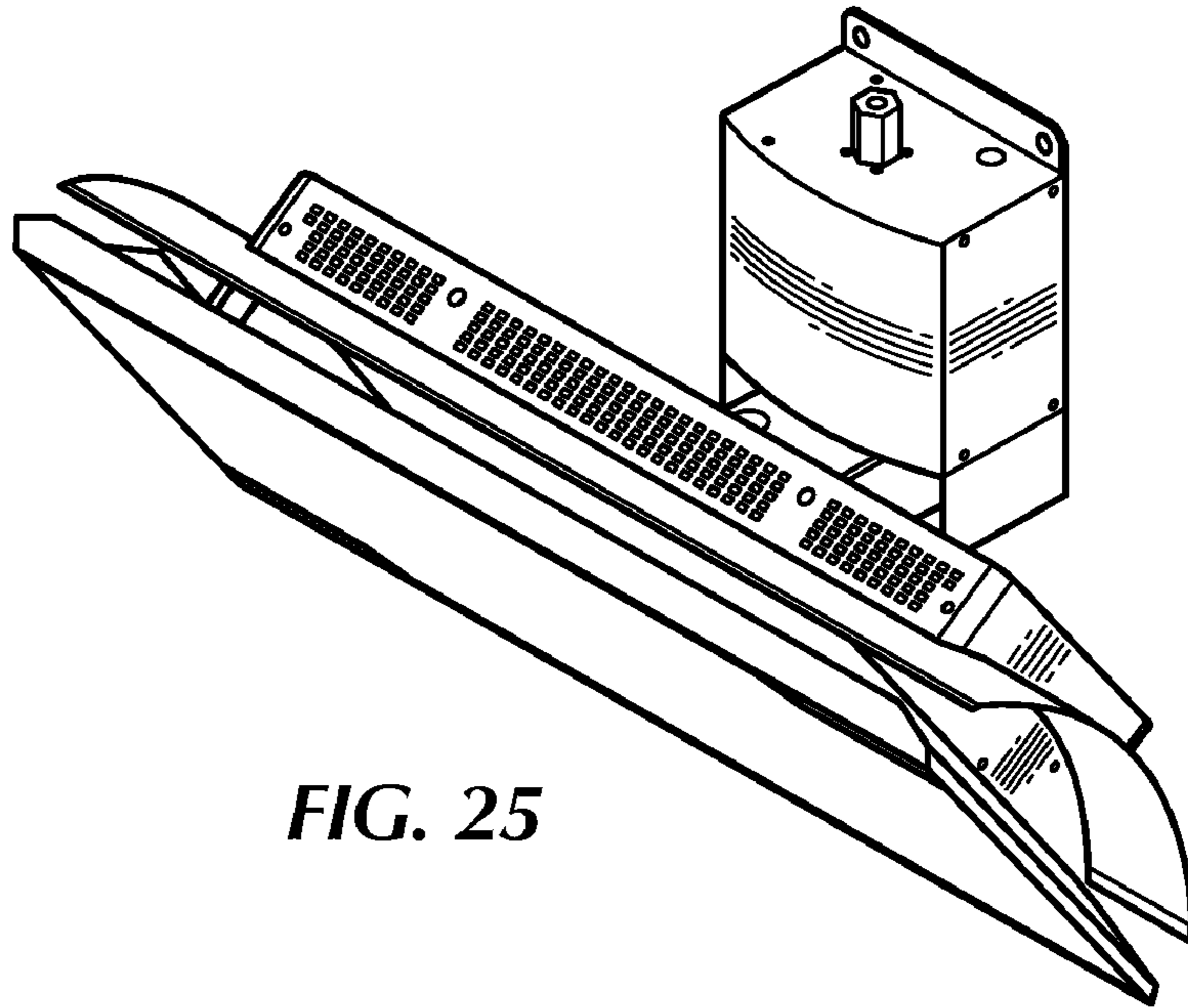


FIG. 25

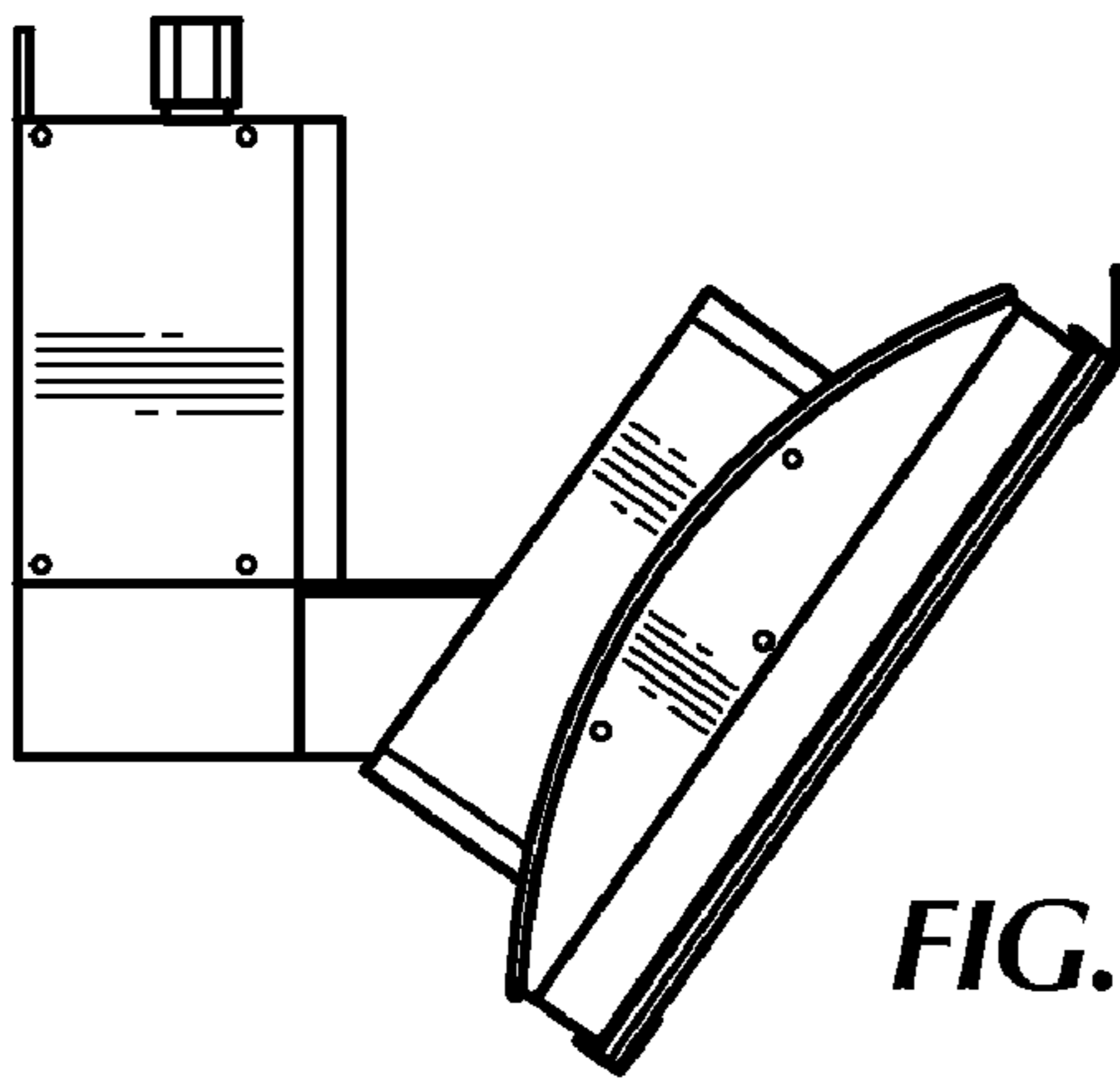


FIG. 26

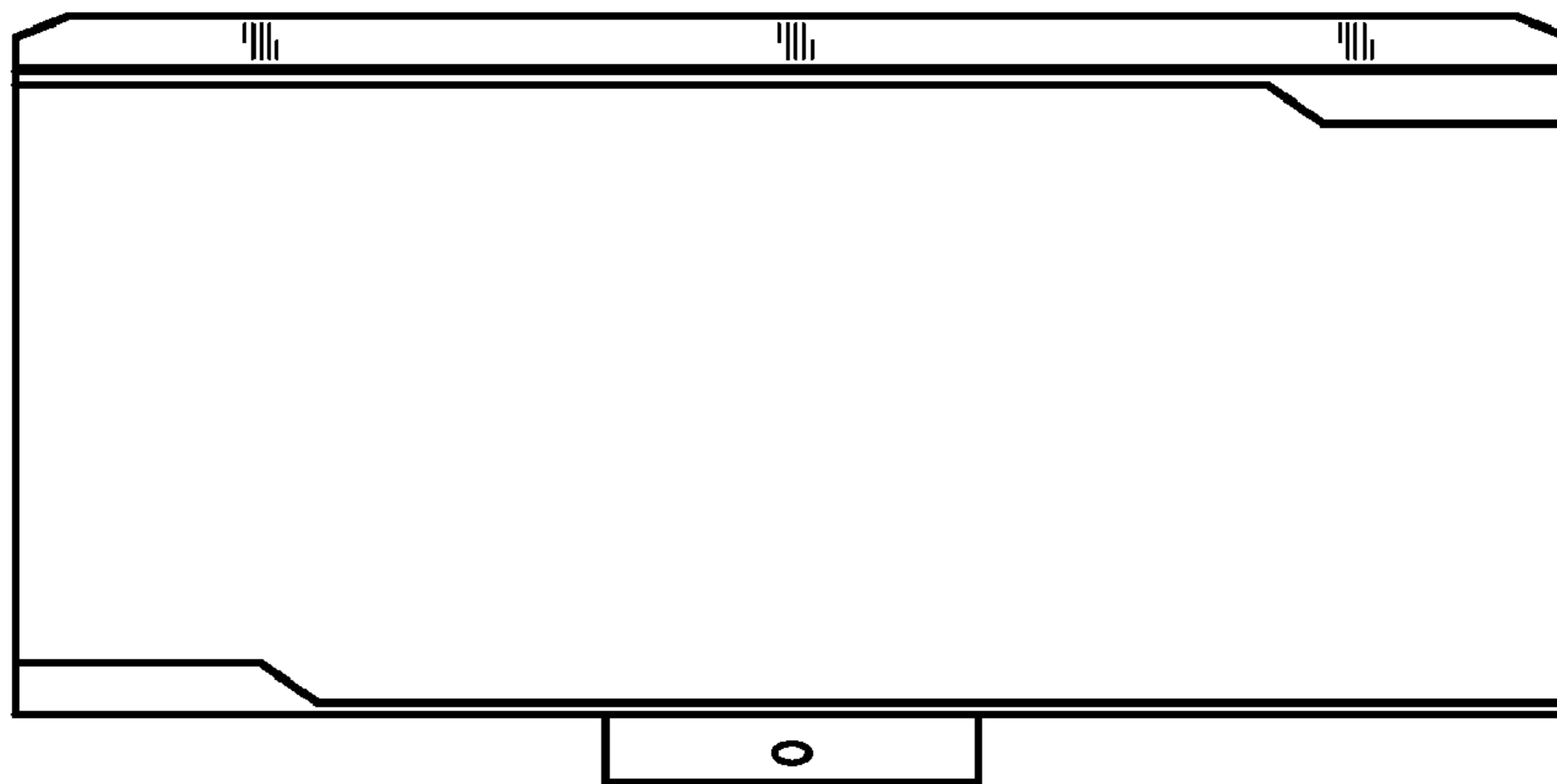


FIG. 27

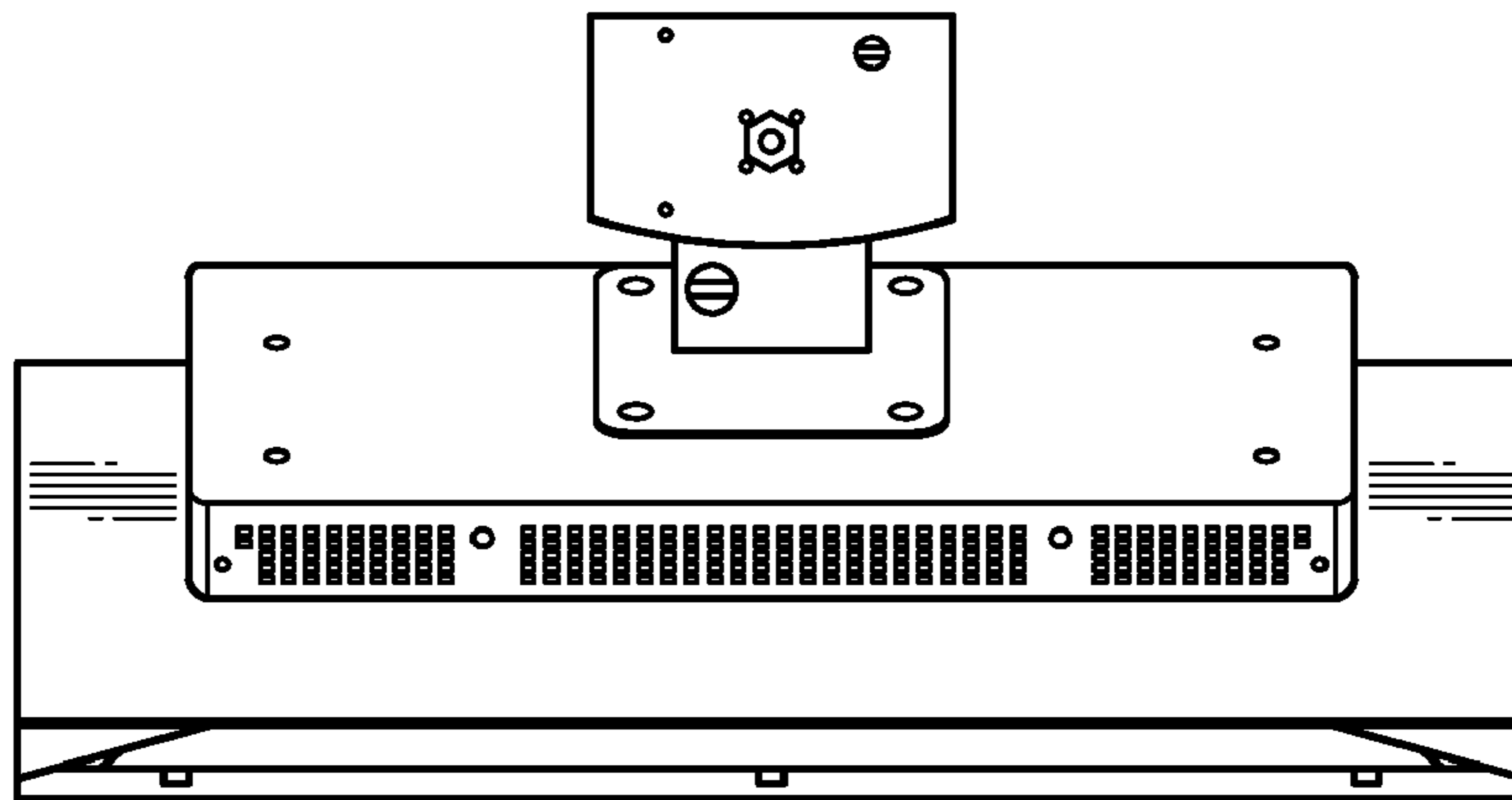


FIG. 28

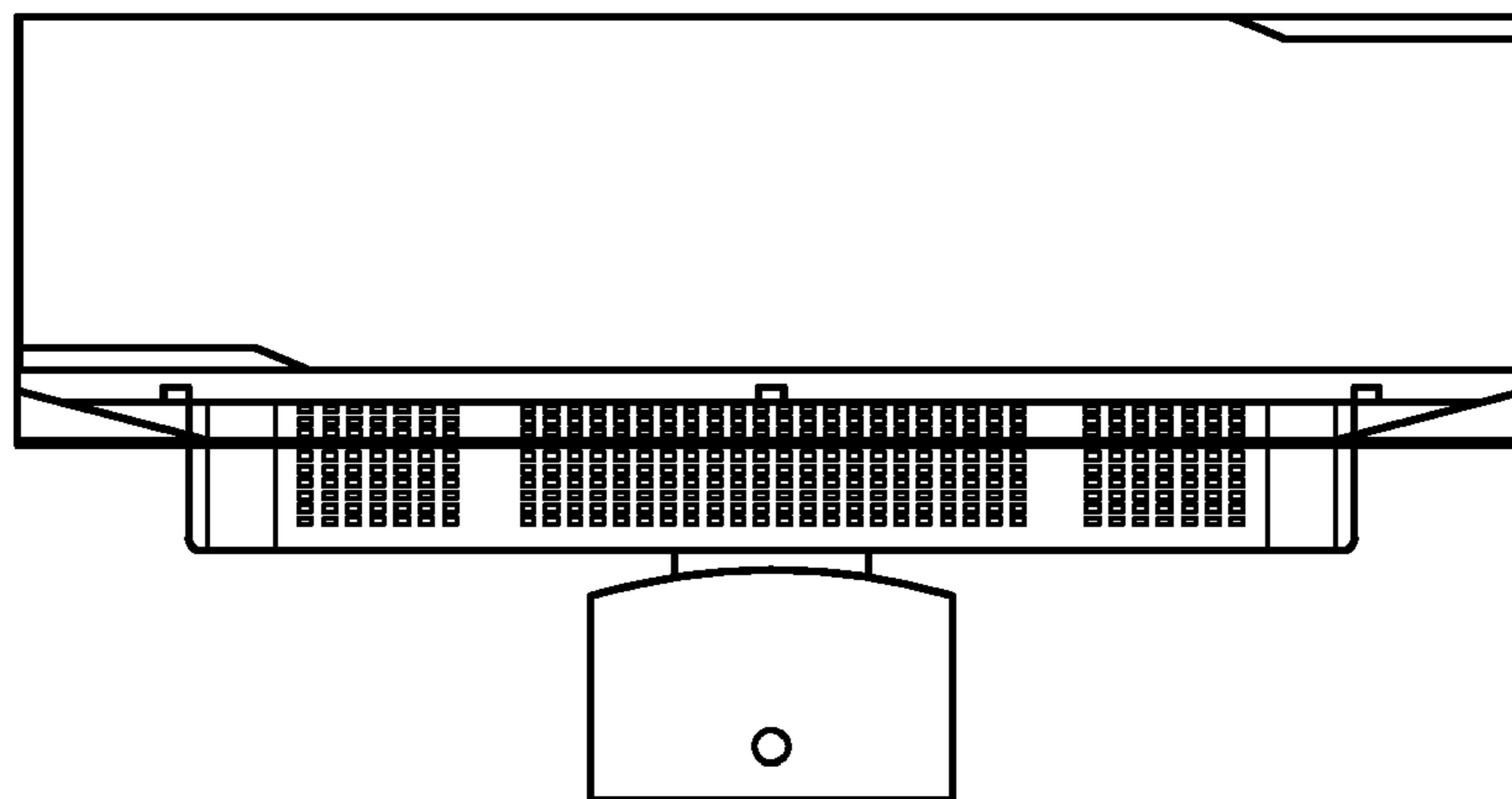


FIG. 29

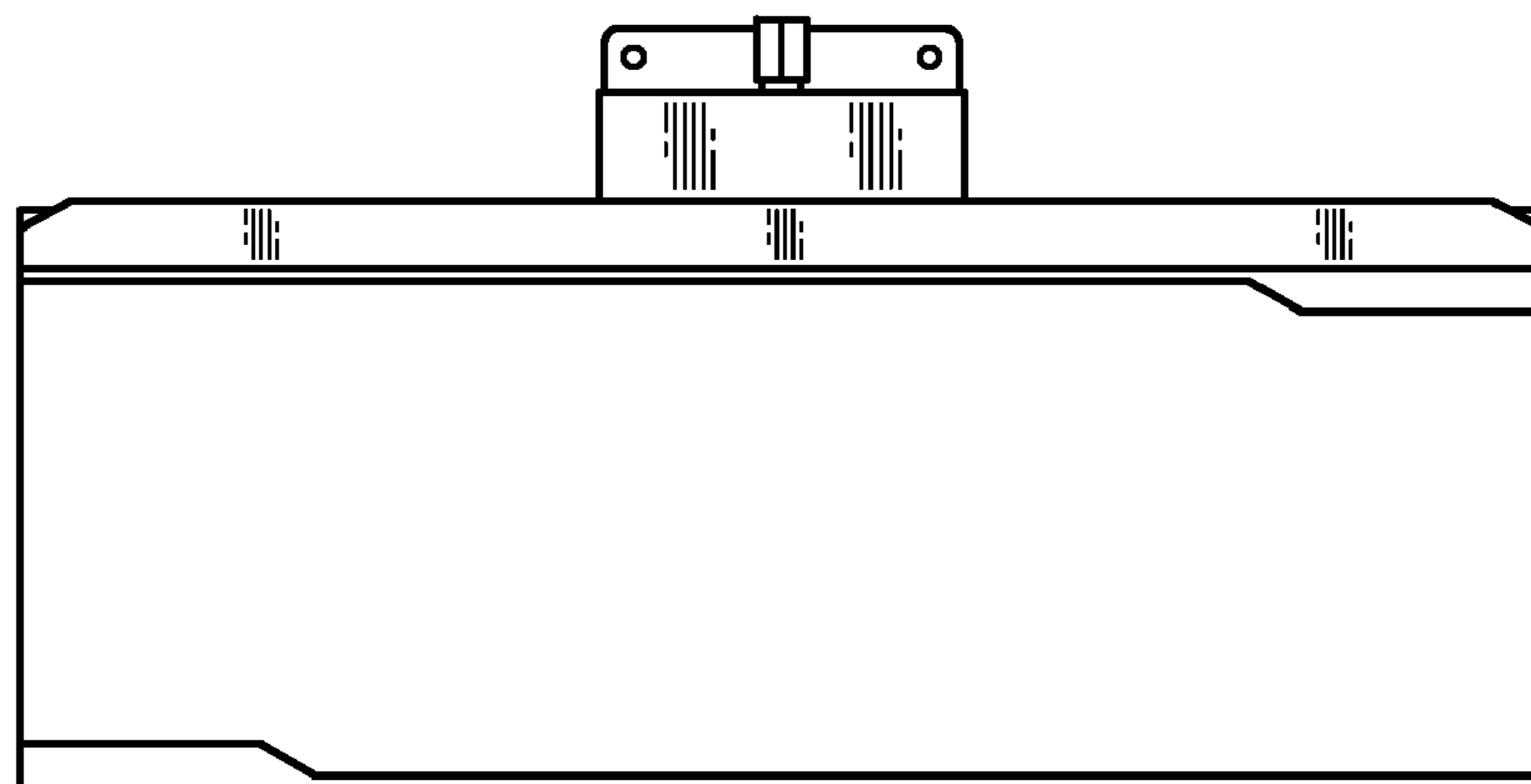


FIG. 30