



US00D645127S

(12) **United States Design Patent**
Alvite

(10) **Patent No.:** **US D645,127 S**

(45) **Date of Patent:** **** Sep. 13, 2011**

(54) **SAFETY BAR APPARATUS FOR A BATHTUB**

Primary Examiner — Robert Delehanty

(75) Inventor: **Joanne Alvite**, Massapequa Park, NY
(US)

(74) *Attorney, Agent, or Firm* — Leason Ellis LLP

(73) Assignee: **JMA Innovations LLC**, Massapequa
Park, NY (US)

(57) **CLAIM**

The ornamental design for a safety bar apparatus for a bath-
tub, as shown and described.

(**) Term: **14 Years**

(21) Appl. No.: **29/380,698**

(22) Filed: **Dec. 9, 2010**

(51) **LOC (9) Cl.** **23-02**

(52) **U.S. Cl.** **D23/304**

(58) **Field of Classification Search** D23/277,
D23/280.2, 303-304; 4/571.1, 572.1, 576.1,
4/611; D6/549-550, 525, 527

See application file for complete search history.

DESCRIPTION

FIG. 1 is a front and side perspective view of a safety bar
apparatus for a bathtub made up of a pair of housings showing
my new design, with the housings being positioned to capture
a safety bar in an upper position;

FIG. 2 is a front and side perspective view of one housing
positioned to capture a safety bar in a lower position;

FIG. 3 is a first side elevation view of the housing of FIG. 2,
with the second side being a mirror image thereof;

FIG. 4 is a top plan view of the housing of FIG. 2;

FIG. 5 is a bottom plan view of the housing of FIG. 2;

FIG. 6 is a front elevation view of the housing of FIG. 2; and,

FIG. 7 is a rear elevation view of housing of FIG. 2.

The broken line showing a safety bar is for illustrative pur-
poses only and forms no part of the claimed design.

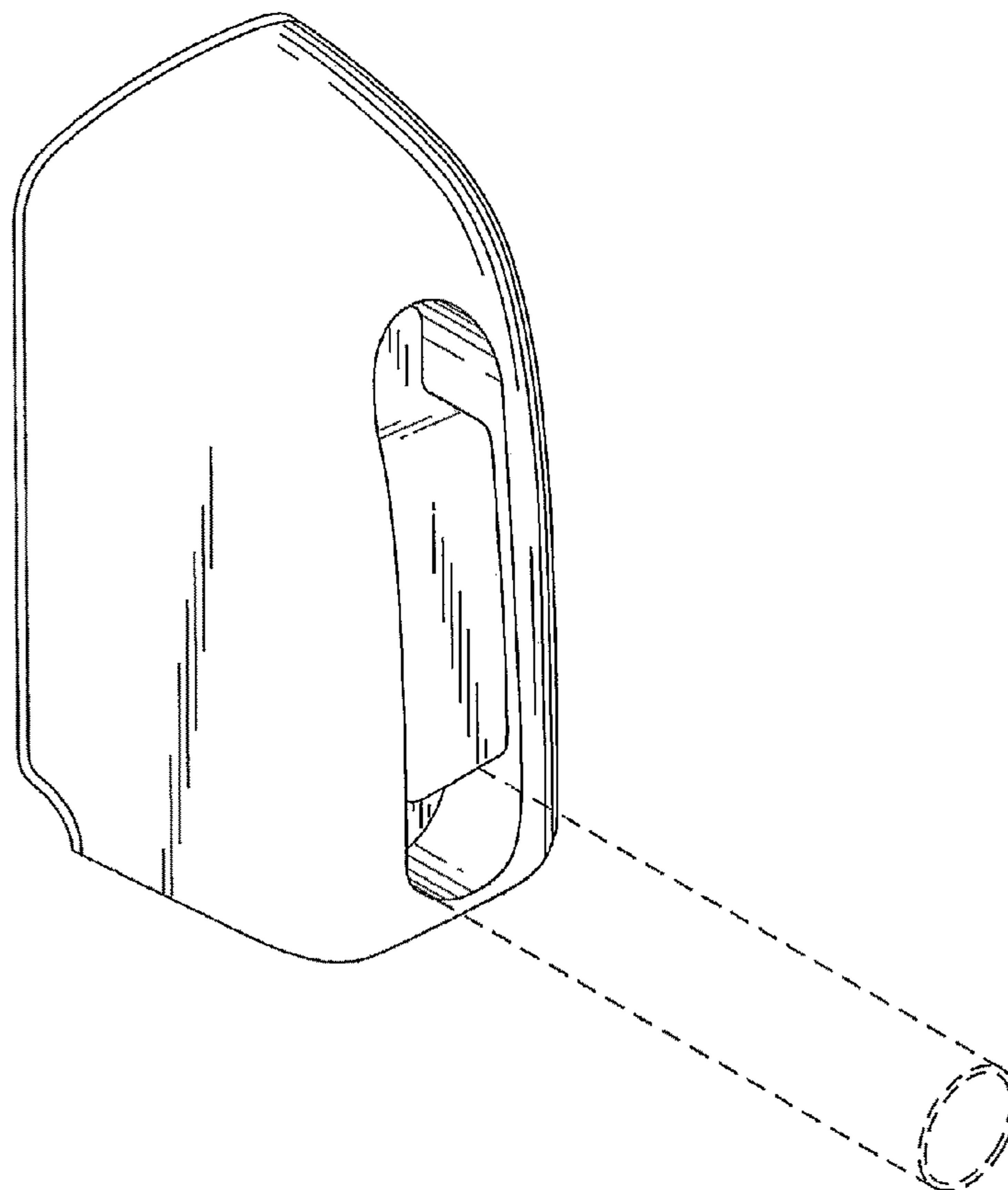
(56) **References Cited**

U.S. PATENT DOCUMENTS

6,131,213	A	*	10/2000	Sarff	4/576.1
D450,504	S	*	11/2001	Harvey	D6/524
D515,860	S	*	2/2006	Lai	D6/550
D622,829	S	*	8/2010	Barnard	D23/304
D622,830	S	*	8/2010	Barnard	D23/304

* cited by examiner

1 Claim, 6 Drawing Sheets



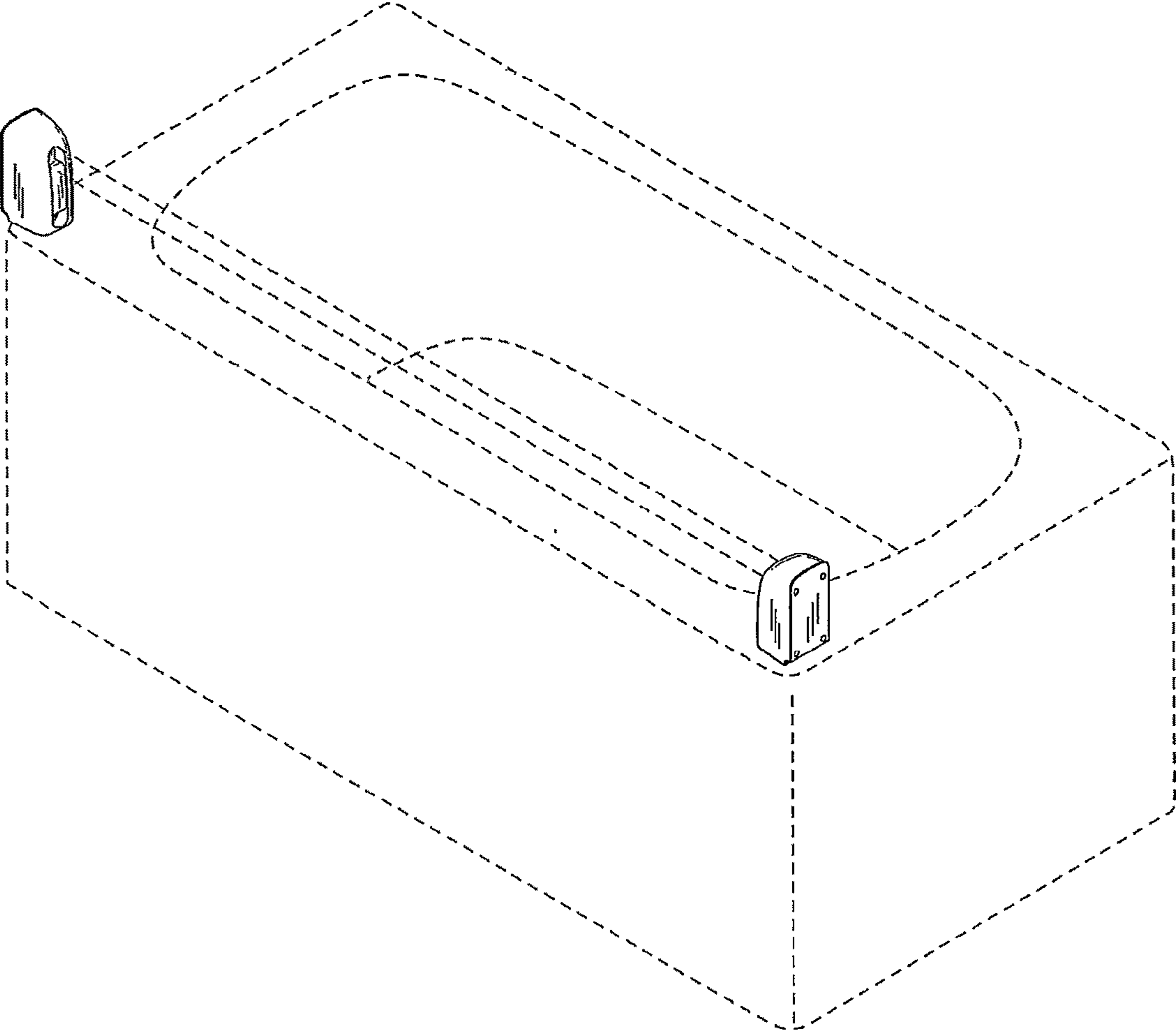


Fig. 1

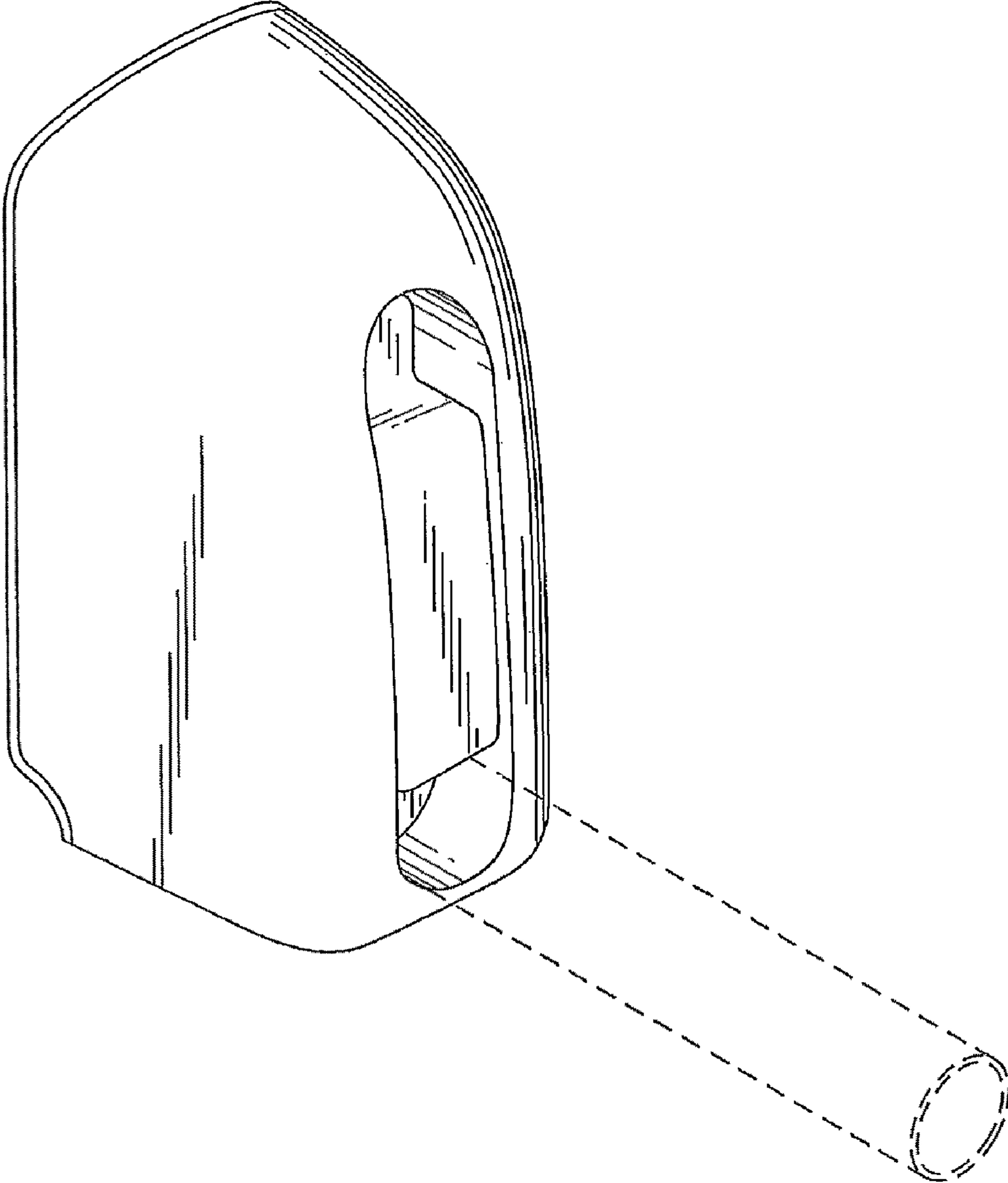


Fig. 2

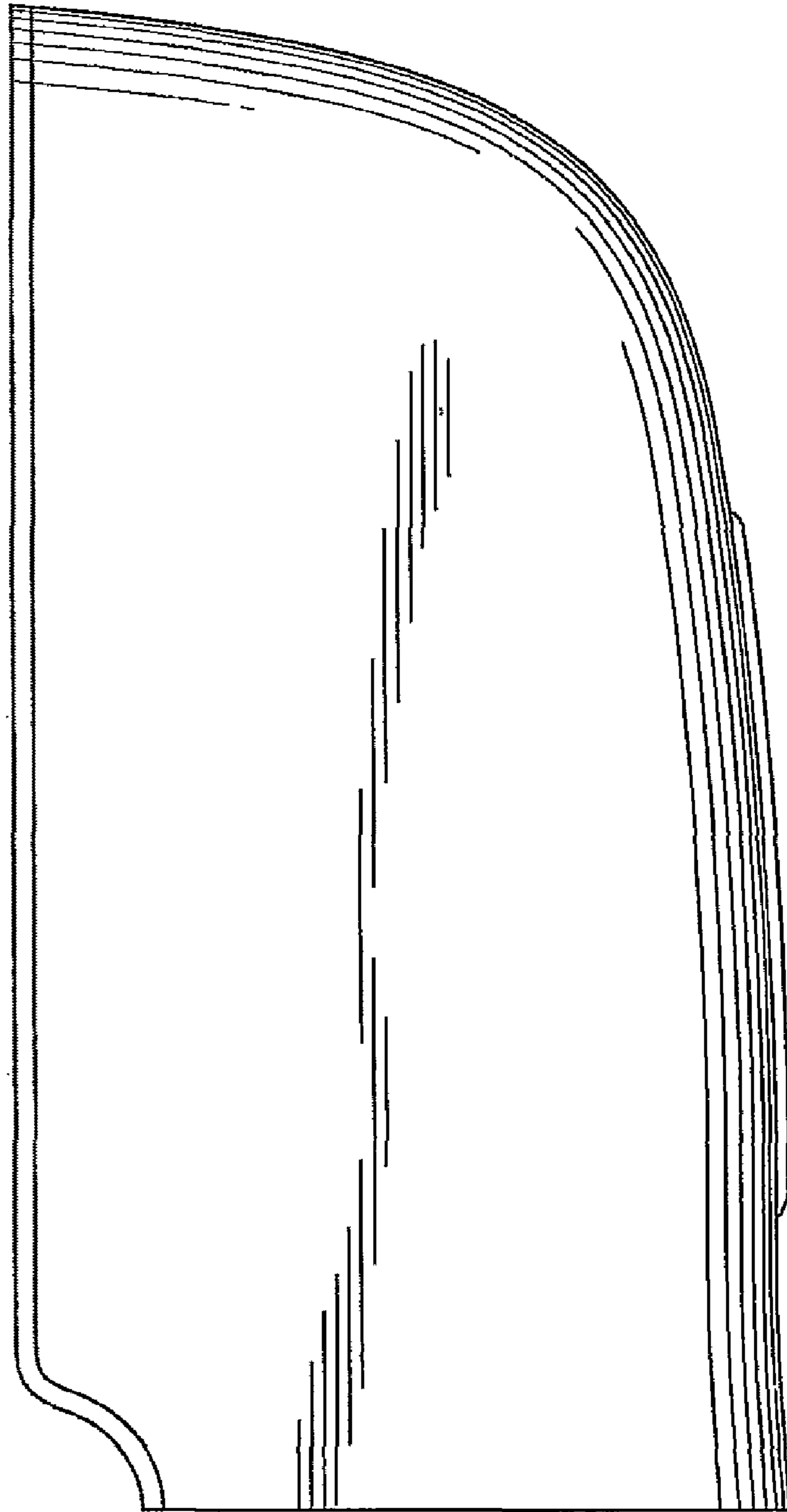


Fig. 3

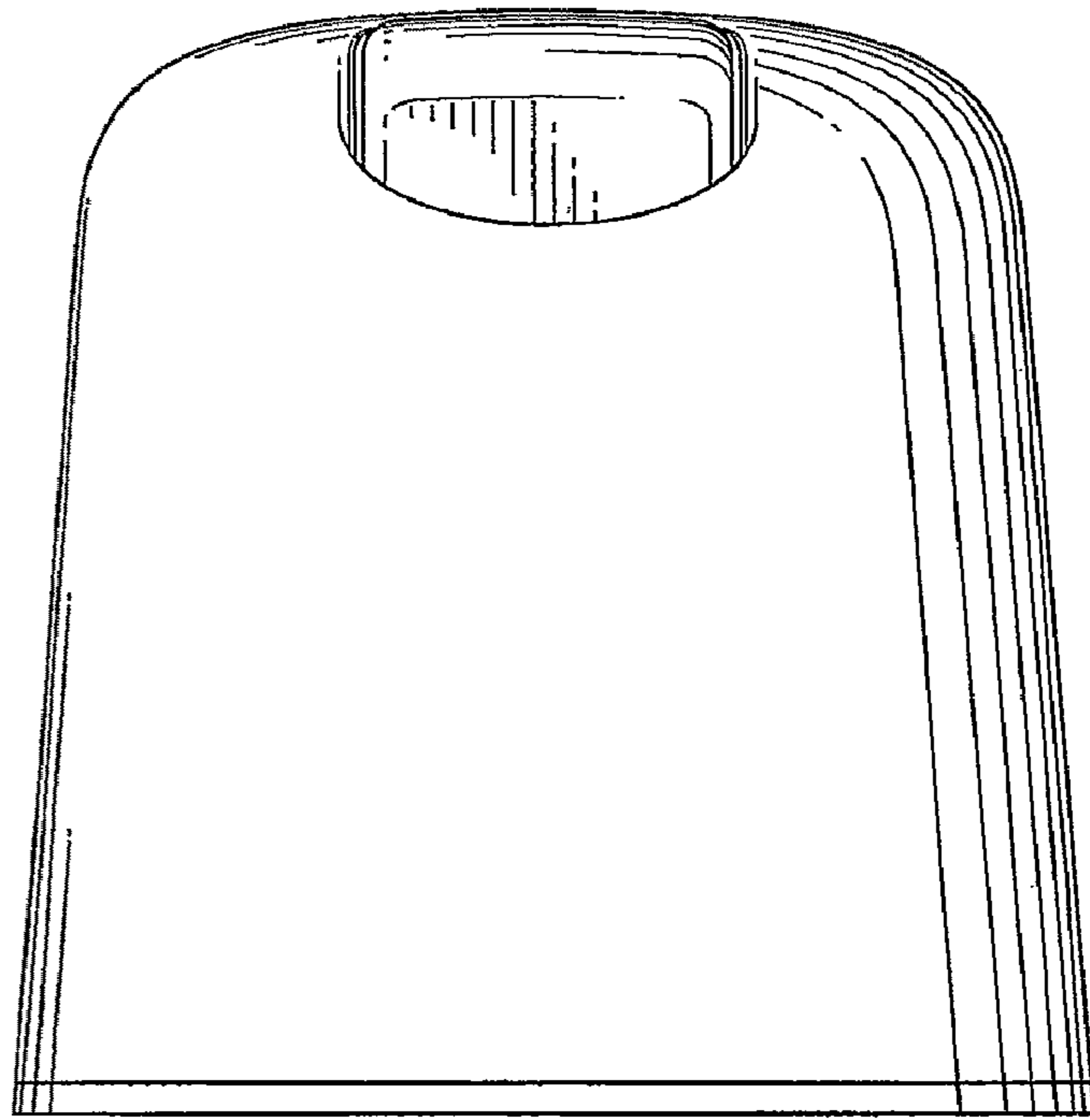


Fig. 4

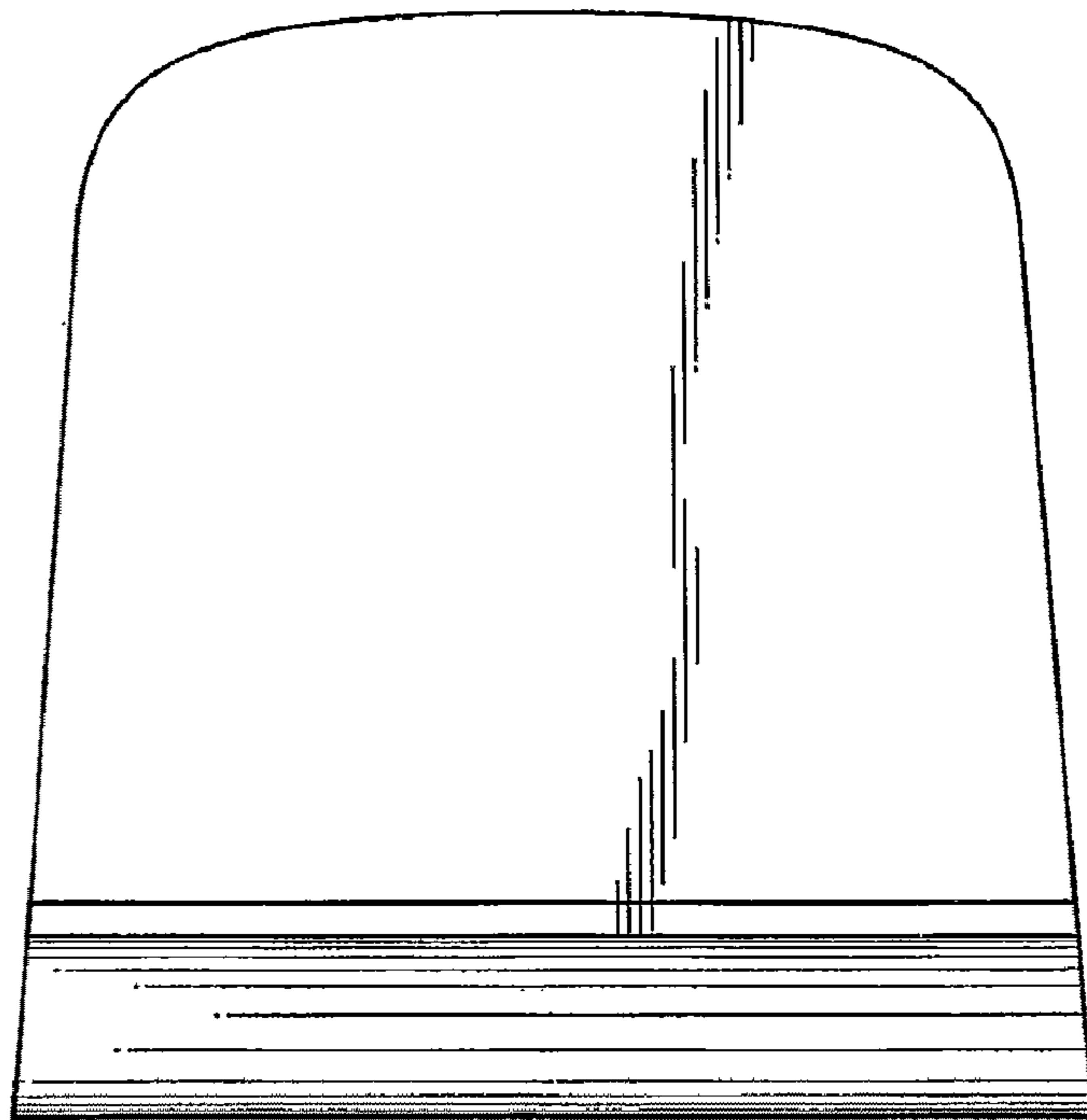


Fig. 5

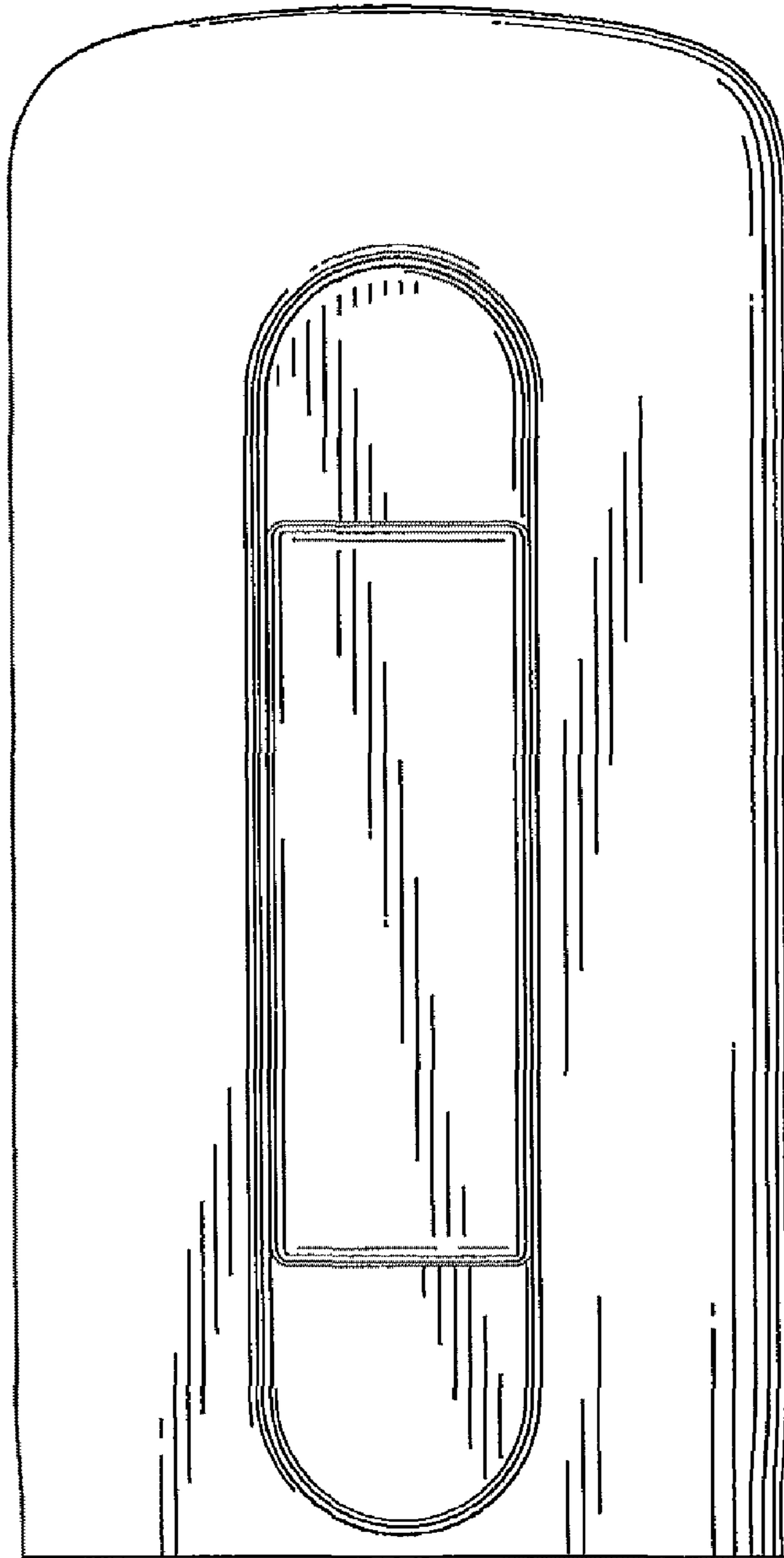


Fig. 6



Fig. 7