



US00D645126S

(12) **United States Design Patent**
Bucher

(10) **Patent No.:** **US D645,126 S**

(45) **Date of Patent:** **** Sep. 13, 2011**

(54) **COMPACT TOILET**

(75) **Inventor:** **Christophe Bucher**, Hillsborough, NJ
(US)

(73) **Assignee:** **AS IP Holdco, LLC**, Piscataway, NJ
(US)

(**) **Term:** **14 Years**

(21) **Appl. No.:** **29/357,655**

(22) **Filed:** **Mar. 16, 2010**

(51) **LOC (9) Cl.** **23-02**

(52) **U.S. Cl.** **D23/301**

(58) **Field of Classification Search** D23/295,
D23/301, 303, 309, 313; 4/300, 329, 353

See application file for complete search history.

(56) **References Cited**

U.S. PATENT DOCUMENTS

D101,441 S *	10/1936	Dreyfuss	D23/301
D116,810 S *	9/1939	Uphues	D23/301
D594,944 S *	6/2009	Starck	D23/301
D624,996 S *	10/2010	Schonherr et al.	D23/300

* cited by examiner

Primary Examiner — Robert Delehanty

(74) *Attorney, Agent, or Firm* — Flaster/Greenberg PC

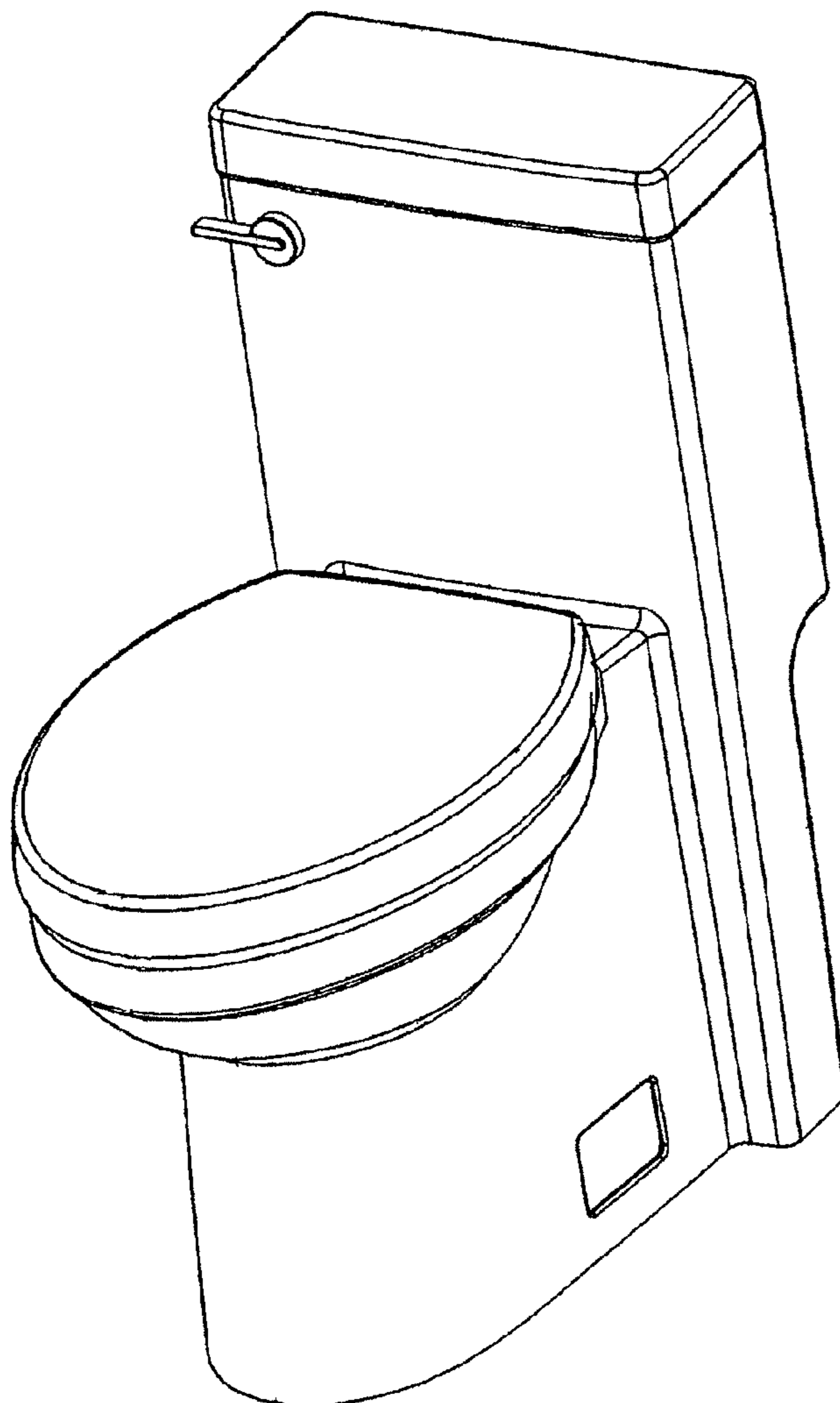
(57) **CLAIM**

The ornamental design for a compact toilet, as shown and described.

DESCRIPTION

FIG. 1 is a perspective view of a compact toilet;
FIG. 2 is a top plan view of the compact toilet of FIG. 1;
FIG. 3 is a front view of the compact toilet of FIG. 1; and,
FIG. 4 is a side view (right and left) of the compact toilet of
FIG. 1.

1 Claim, 4 Drawing Sheets



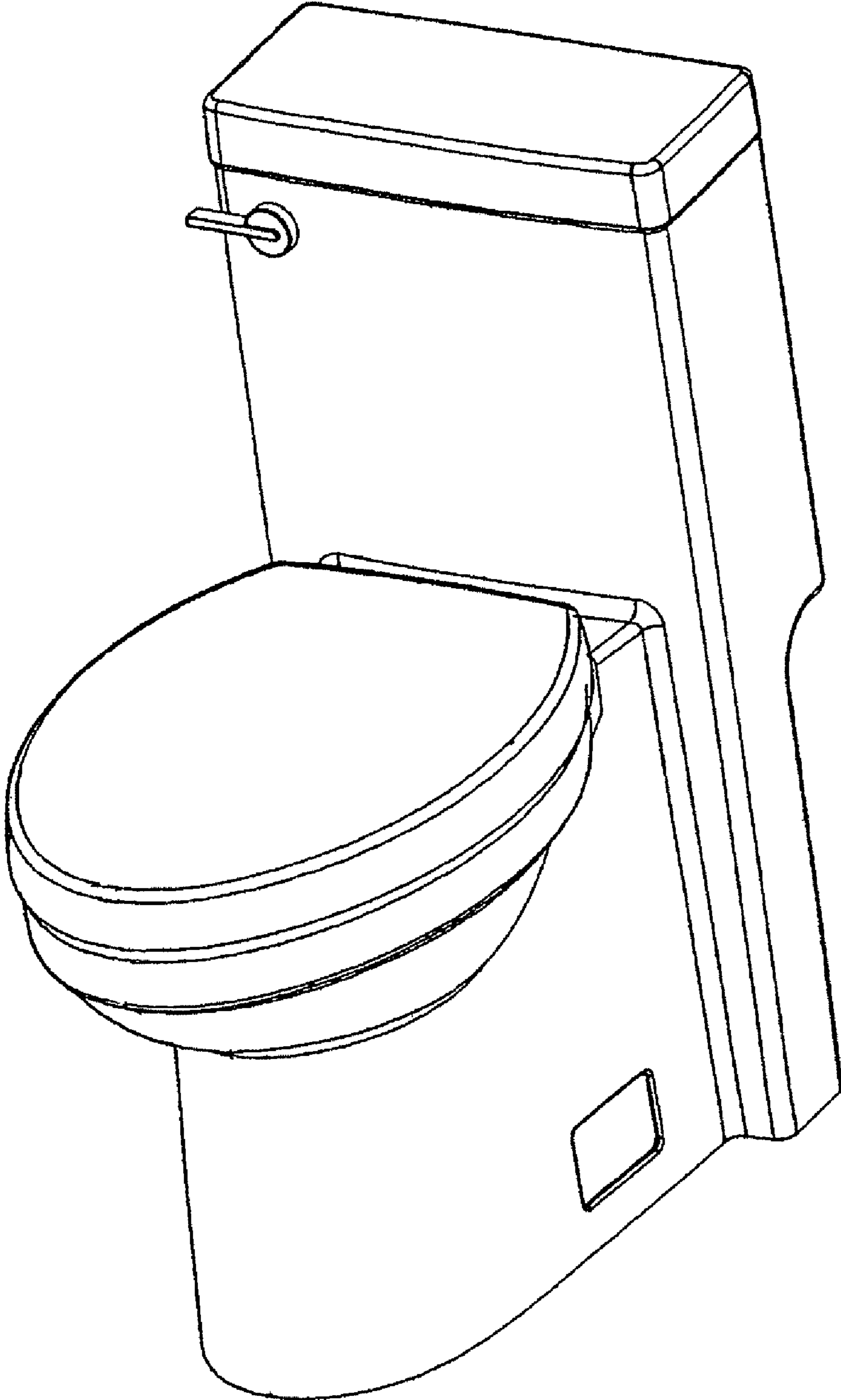


FIGURE 1

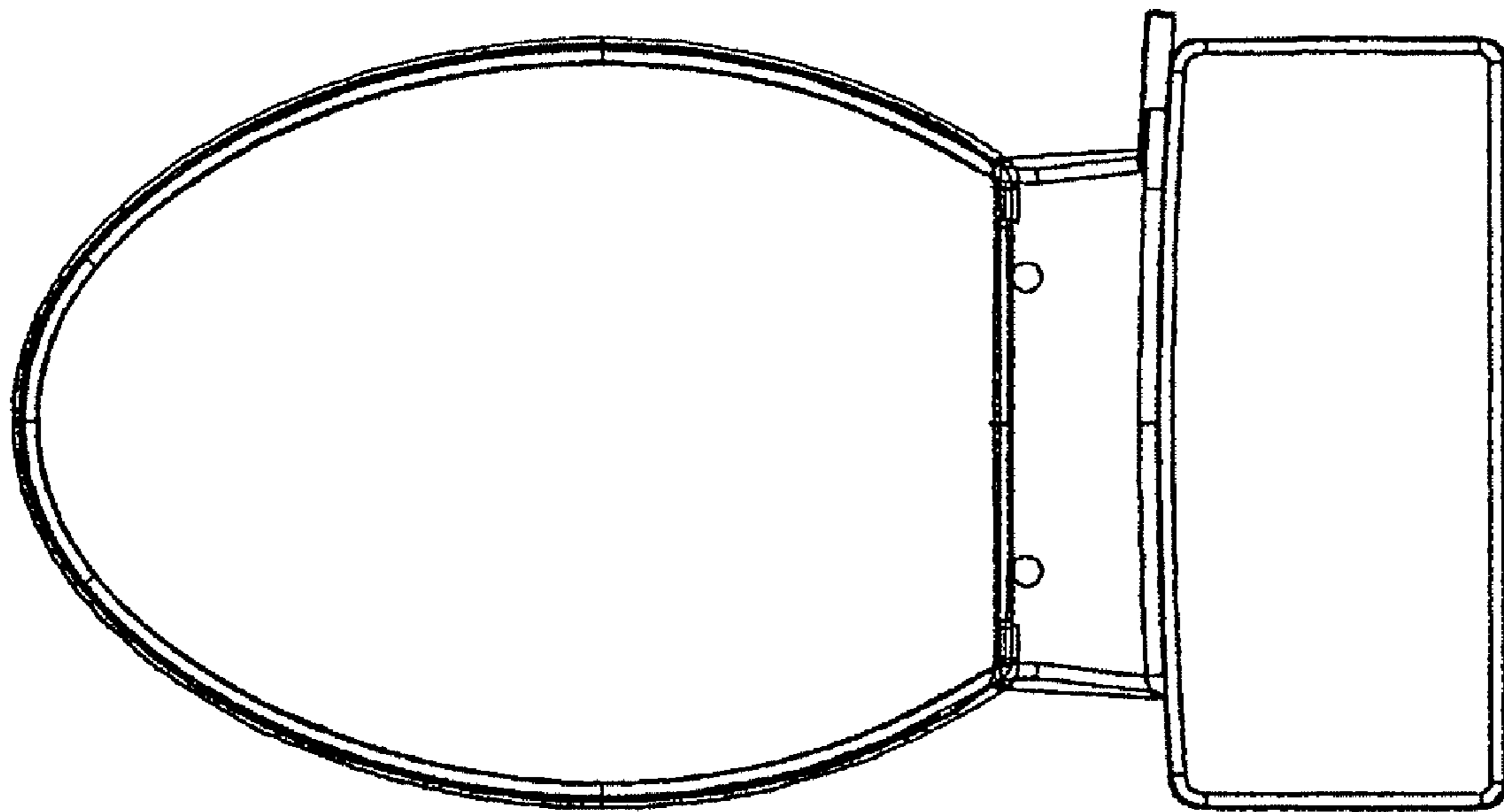


FIGURE 2

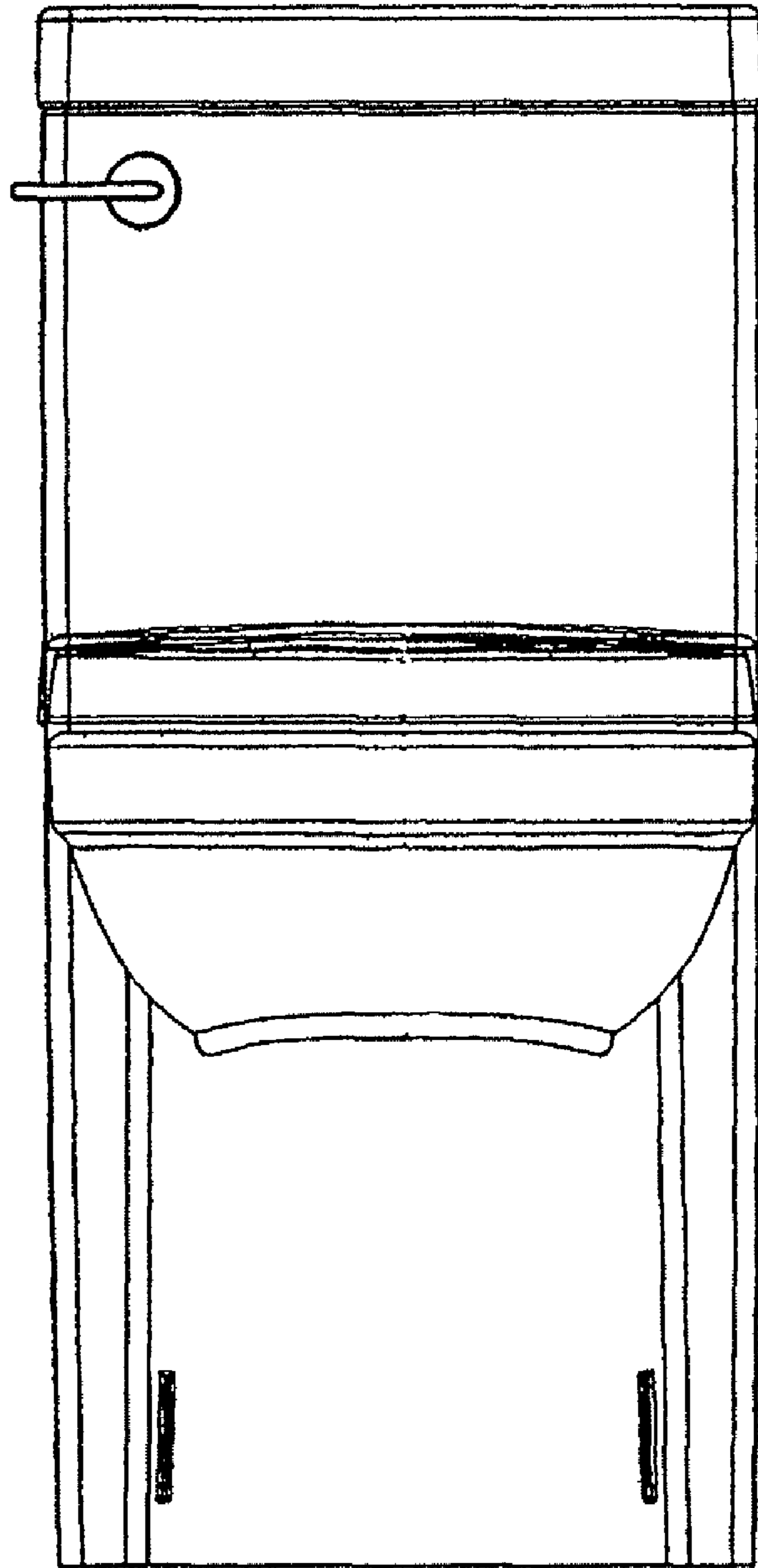


FIGURE 3

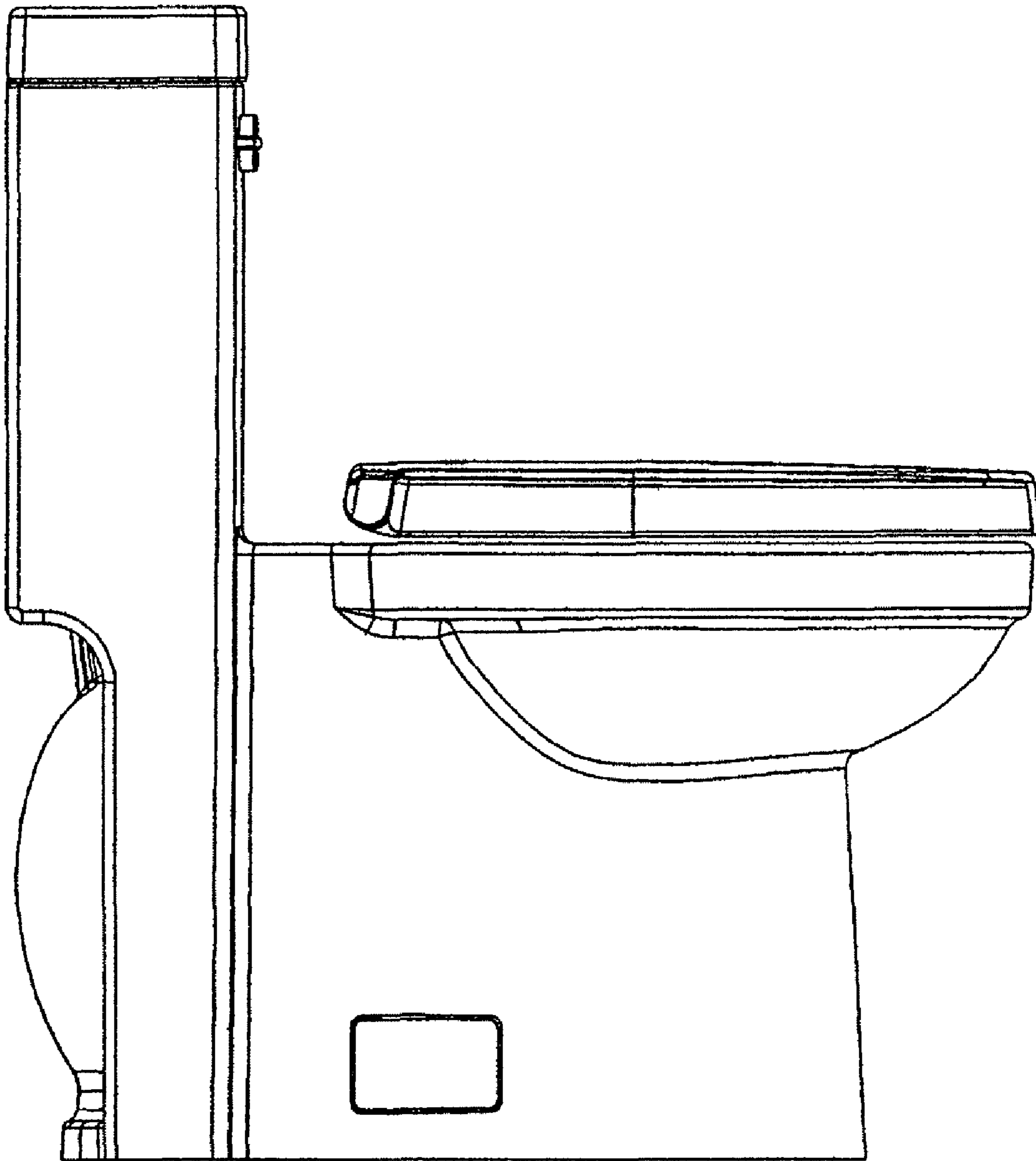


FIGURE 4